



US00D450352B1

(12) **United States Design Patent**  
**Bateham**

(10) **Patent No.:** **US D450,352 S**

(45) **Date of Patent:** **\*\* Nov. 13, 2001**

(54) **BALL MANIPULATING DEVICE**

6,095,519 \* 8/2000 Shoemaker, Jr. .... 273/119 R

\* cited by examiner

(76) **Inventor:** **Joseph E. Bateham**, 332 N. County  
Line Rd., Sylvester, GA (US) 31791

*Primary Examiner*—Dominic Simone

(74) *Attorney, Agent, or Firm*—Brian D. Bellamy

(\*\*) **Term:** **14 Years**

(57) **CLAIM**

(21) **Appl. No.:** **29/122,771**

The ornamental design for a ball manipulating device, as shown and described.

(22) **Filed:** **May 3, 2000**

**DESCRIPTION**

(51) **LOC (7) Cl.** ..... **21-01**

FIG. 1 is a front, left perspective view of a ball manipulating device showing my new design;

(52) **U.S. Cl.** ..... **D21/385**

FIG. 2 is a front, left perspective view thereof, in an open position;

(58) **Field of Search** ..... D21/312–323,  
D21/385; 273/108, 108.1, 108.5, 108.54,  
118 R, 119 R, 129 R, 129 T

FIG. 3 is a rear elevational view of FIG. 1;

FIG. 4 is a left side elevational view of FIG. 1, the right side being a mirror image;

(56) **References Cited**

**U.S. PATENT DOCUMENTS**

D. 92,453	*	6/1934	Clemetsen	.....	D21/312
D. 126,706	*	4/1941	Nicolaus	.....	D21/385
D. 248,685	*	7/1978	Brown	.....	D21/385
D. 358,178	*	5/1995	O'Dell	.....	D21/385
D. 397,162	*	8/1998	Yokoi et al.	.....	D21/312

FIG. 5 is a left side elevational view of FIG. 2, on a reduced scale;

FIG. 6 is a top plan view of FIG. 1;

FIG. 7 is a bottom plan view of FIG. 1; and,

FIG. 8 is a bottom plan view of FIG. 2.

**1 Claim, 3 Drawing Sheets**

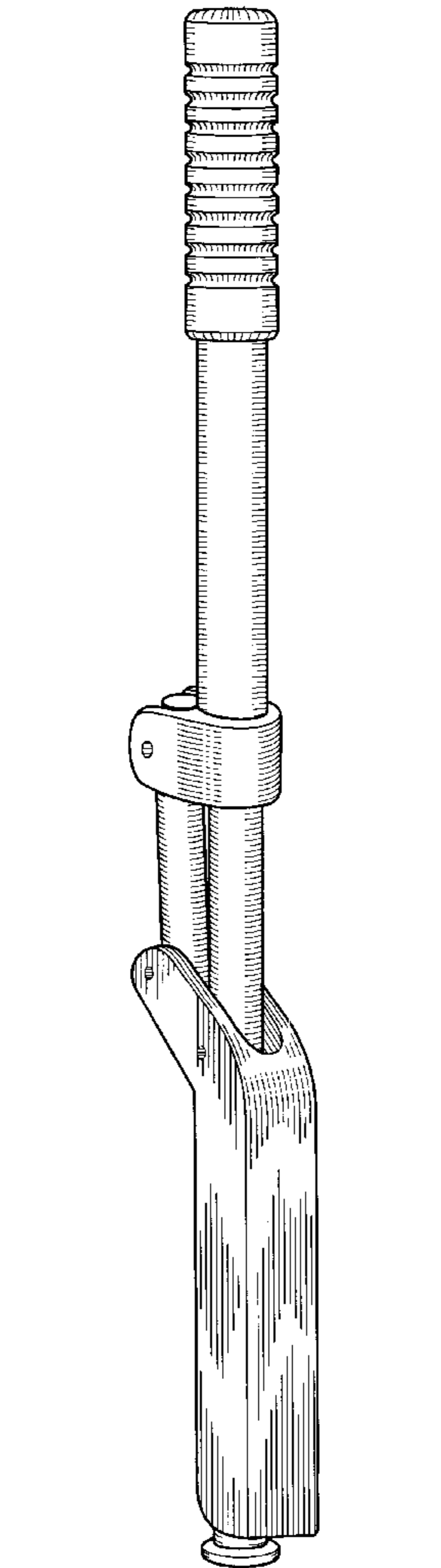


Fig. 1

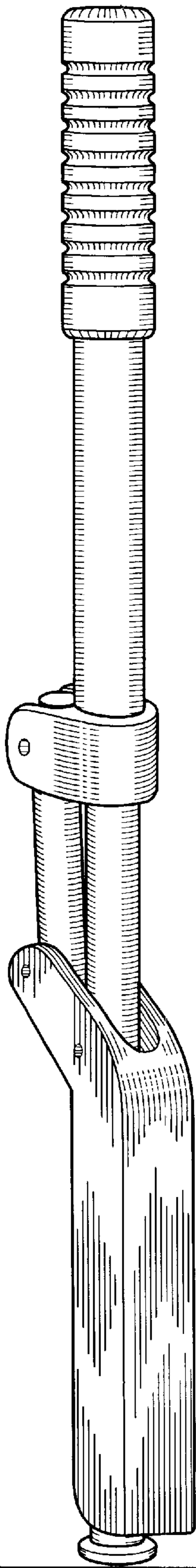


Fig. 2

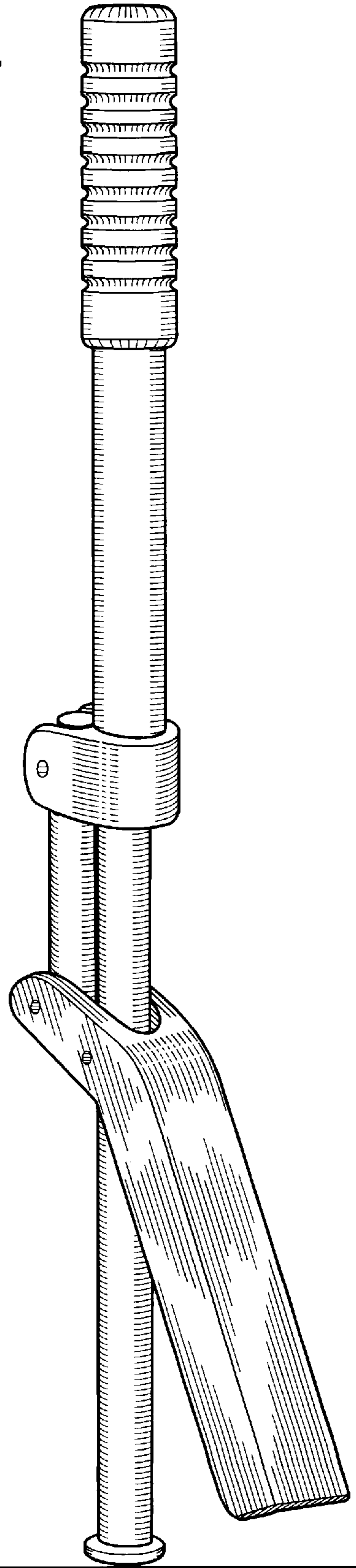


Fig. 3

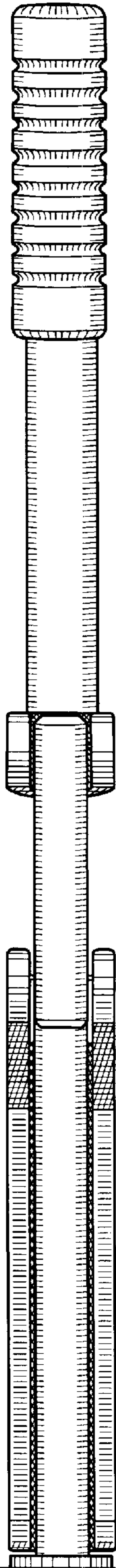


Fig. 4

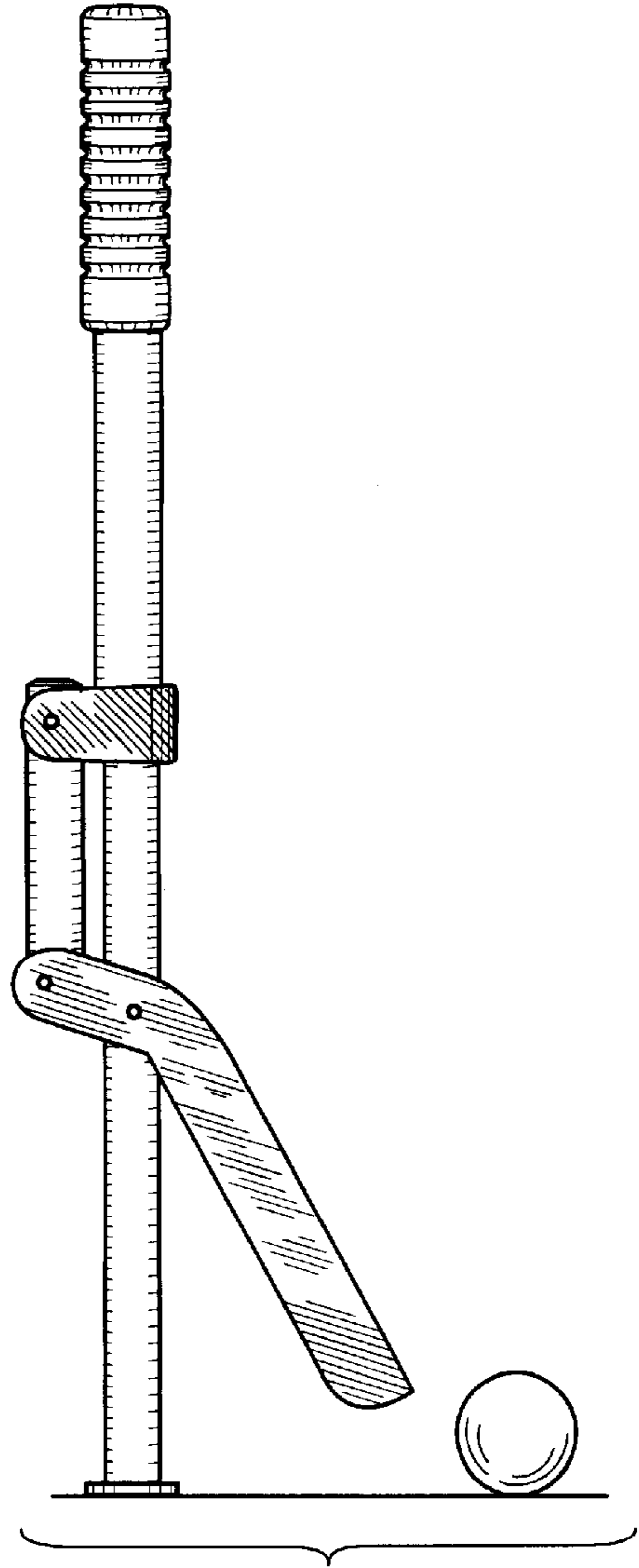
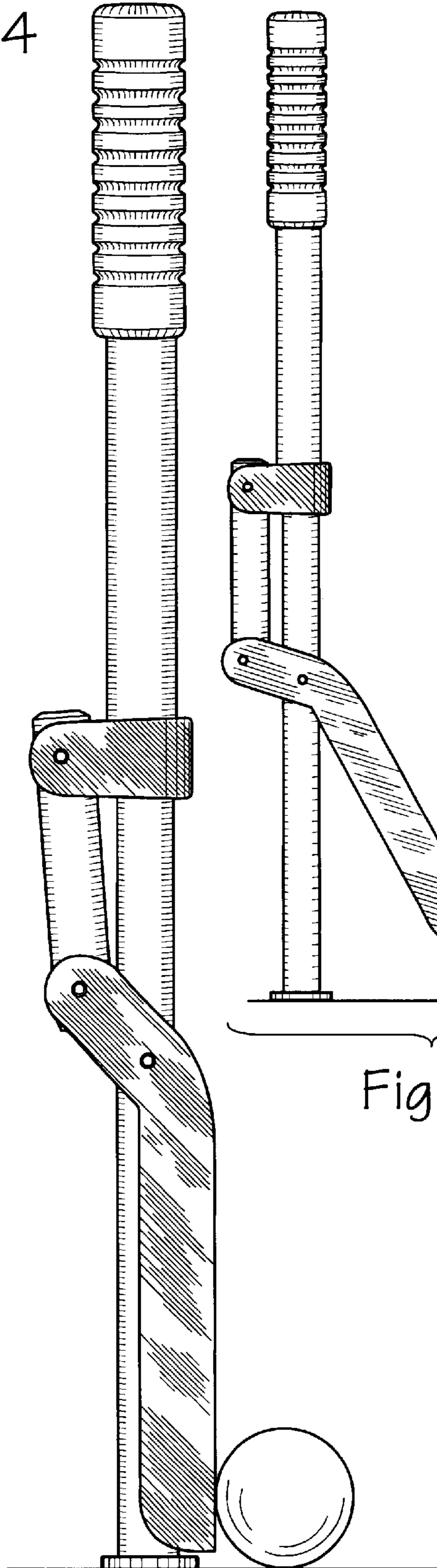


Fig. 5

Fig. 6

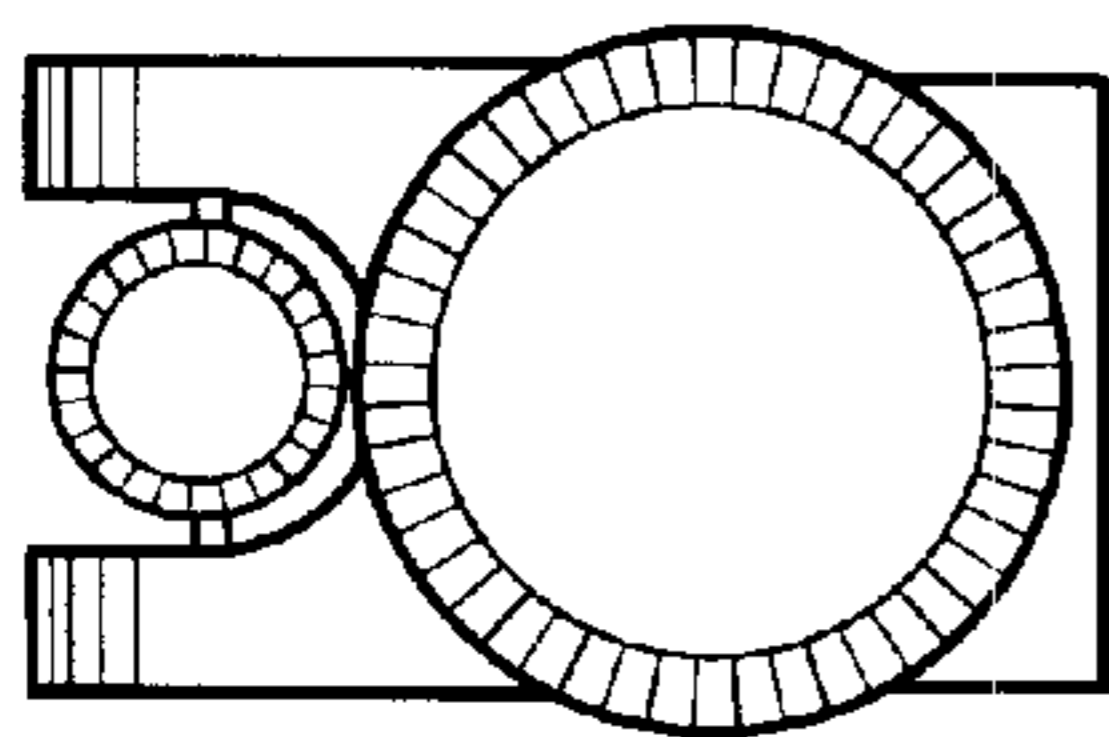


Fig. 7

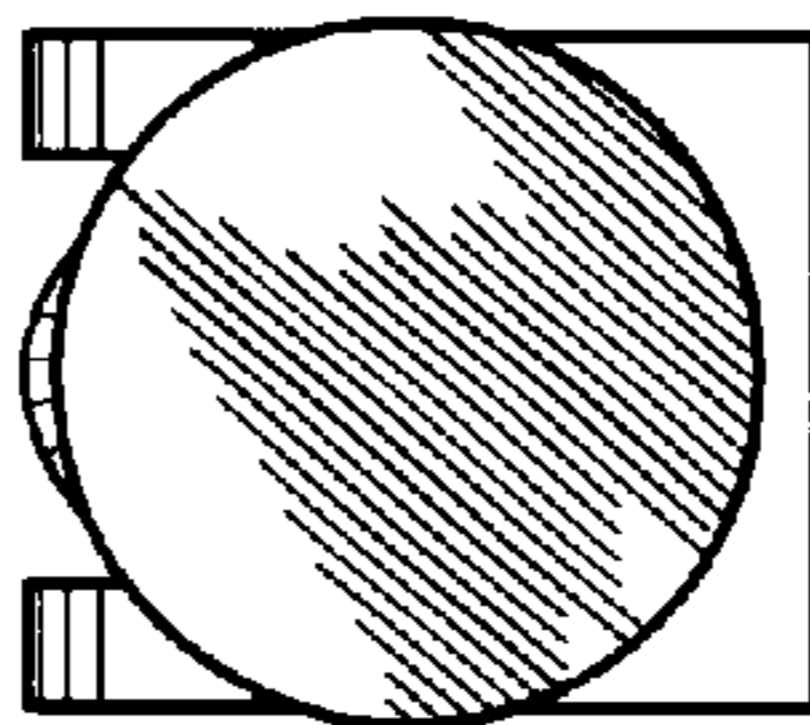


Fig. 8

