



US00D450345B1

(12) **United States Design Patent**
Miyazaki

(10) **Patent No.:** **US D450,345 S**

(45) **Date of Patent:** **** Nov. 13, 2001**

(54) **PRINTER**

(75) **Inventor:** **Tetsuro Miyazaki, Tokyo (JP)**

(73) **Assignee:** **Sony Corporation, Tokyo (JP)**

(**) **Term:** **14 Years**

(21) **Appl. No.:** **29/135,265**

(22) **Filed:** **Jan. 10, 2001**

(51) **LOC (7) Cl.** **14-02**

(52) **U.S. Cl.** **D18/50**

(58) **Field of Search** D18/36-39, 50,
D18/54-55; 400/613, 613.1-613.4, 691-694,
690.1-690.4

(56) **References Cited**

U.S. PATENT DOCUMENTS

D. 375,119	*	10/1996	Pangburn	D18/50
D. 414,799	*	10/1999	Cook et al.	D18/55
D. 424,099	*	5/2000	Pangburn	D18/50
D. 424,610		5/2000	Scarton et al.	D18/55

D. 432,164	*	10/2000	Benedetto	D18/55
D. 439,275	*	3/2001	Ohashi	D18/55
D. 443,889	*	6/2001	Yamano et al.	D18/50

* cited by examiner

Primary Examiner—Cathy Anne MacCormac

(74) *Attorney, Agent, or Firm*—Rader, Fishman & Grauer, PLLC

(57) **CLAIM**

The ornamental design for a printer, as shown and described.

DESCRIPTION

FIG. 1 is a perspective view of a printer showing my new design;

FIG. 2 is a front elevational view thereof;

FIG. 3 is a rear elevational view thereof;

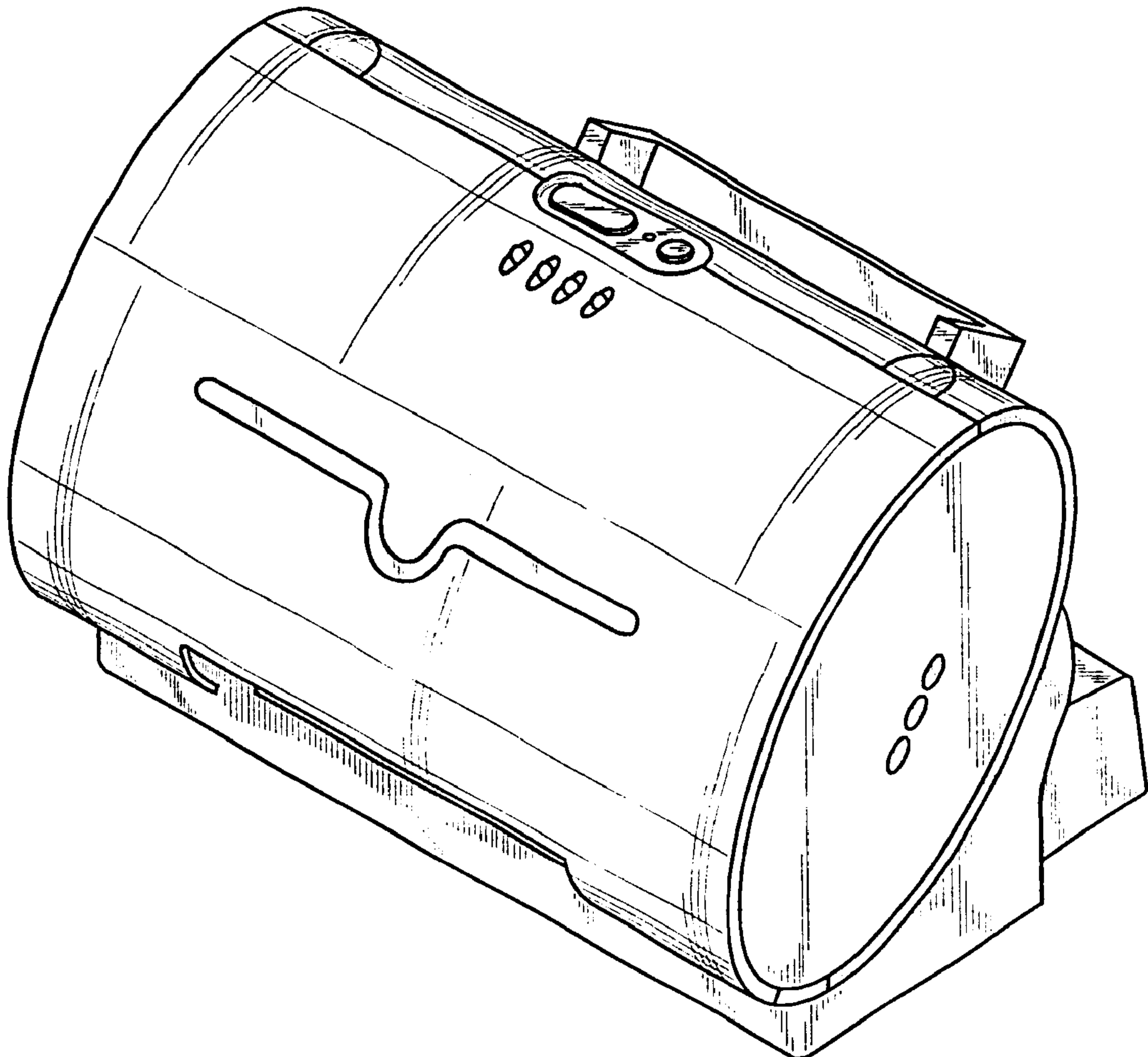
FIG. 4 is a left side elevational view thereof;

FIG. 5 is a right side elevational view thereof;

FIG. 6 is a top plan view thereof; and,

FIG. 7 is a bottom plan view thereof.

1 Claim, 4 Drawing Sheets



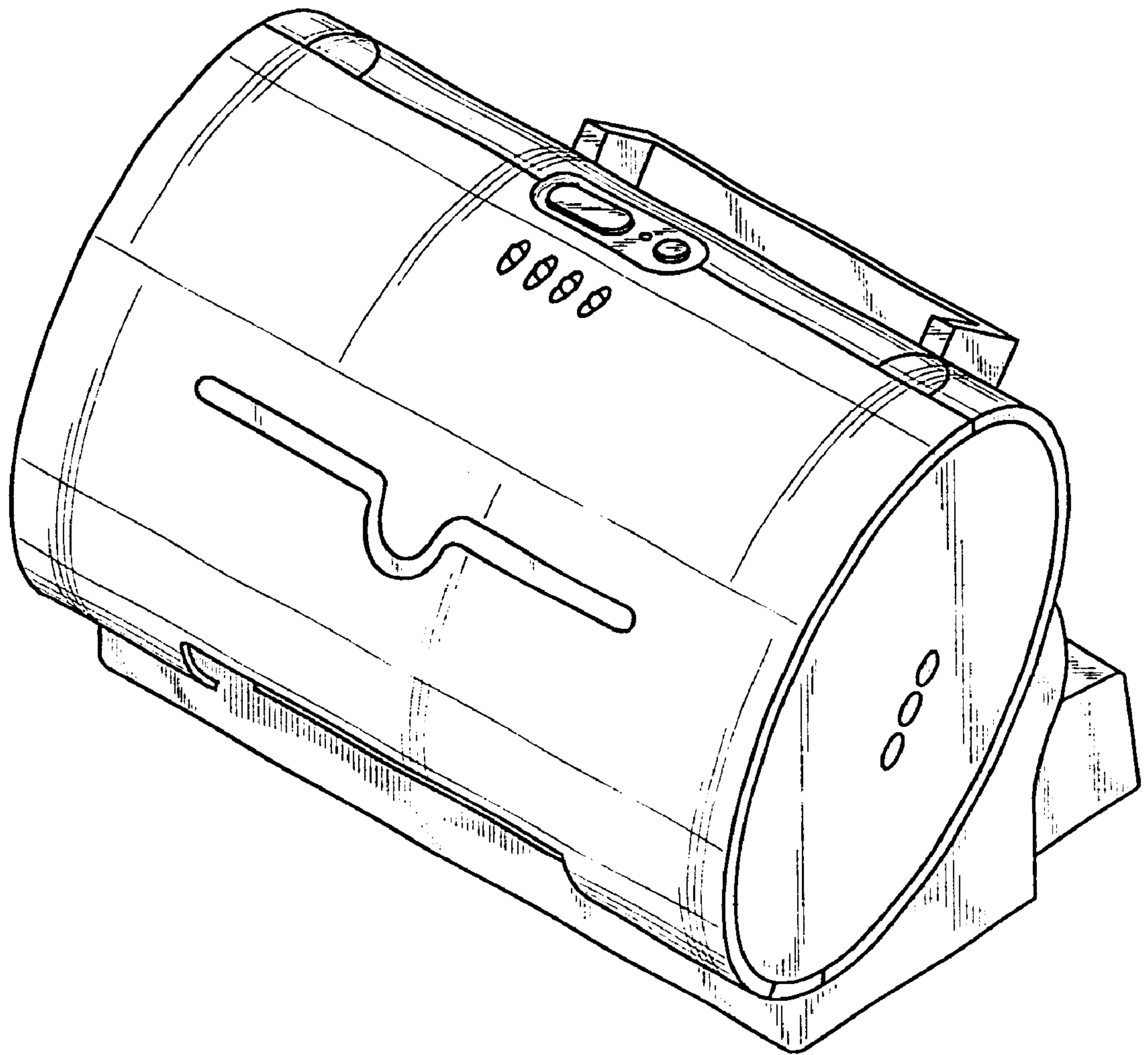


Fig. 1

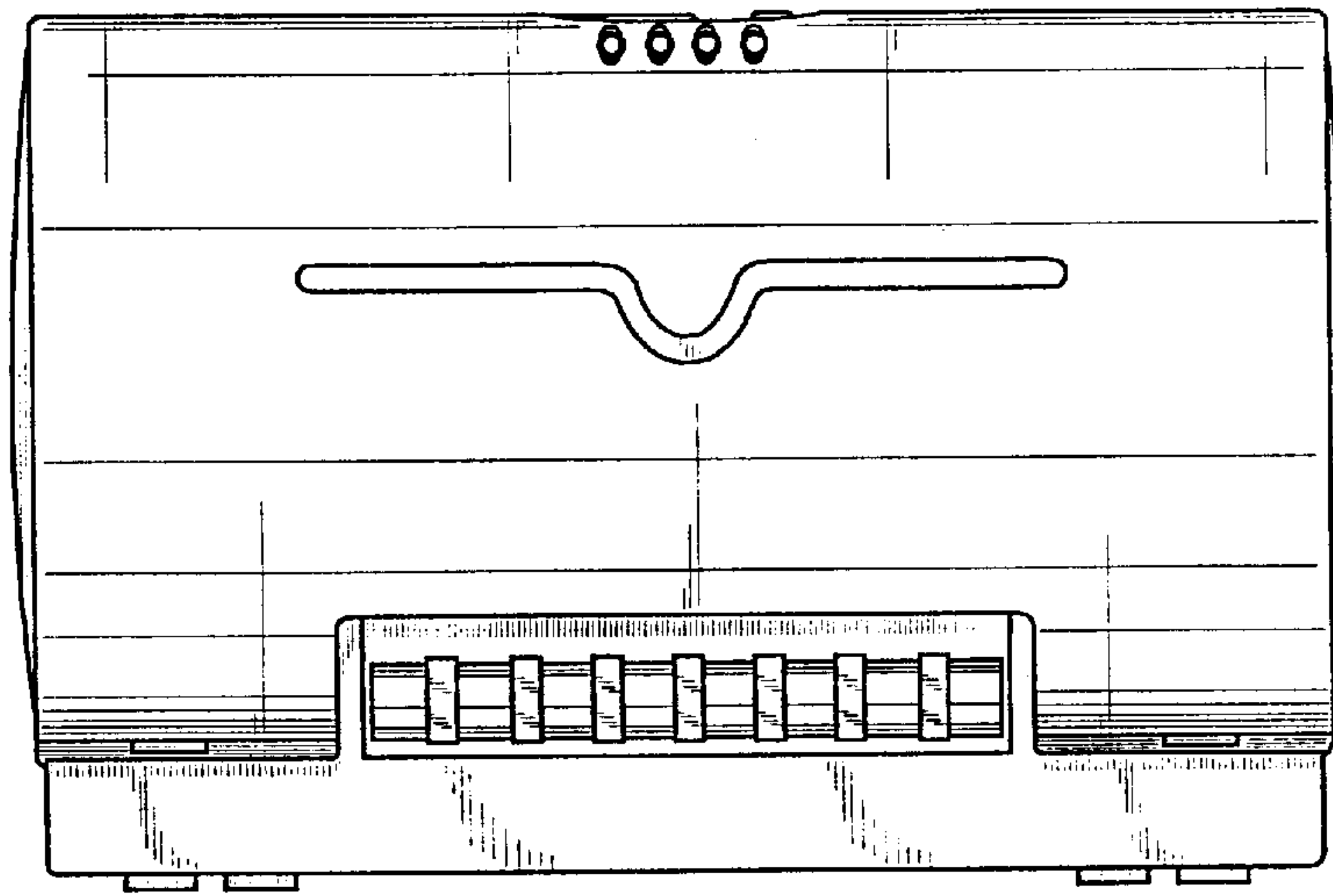


Fig. 2

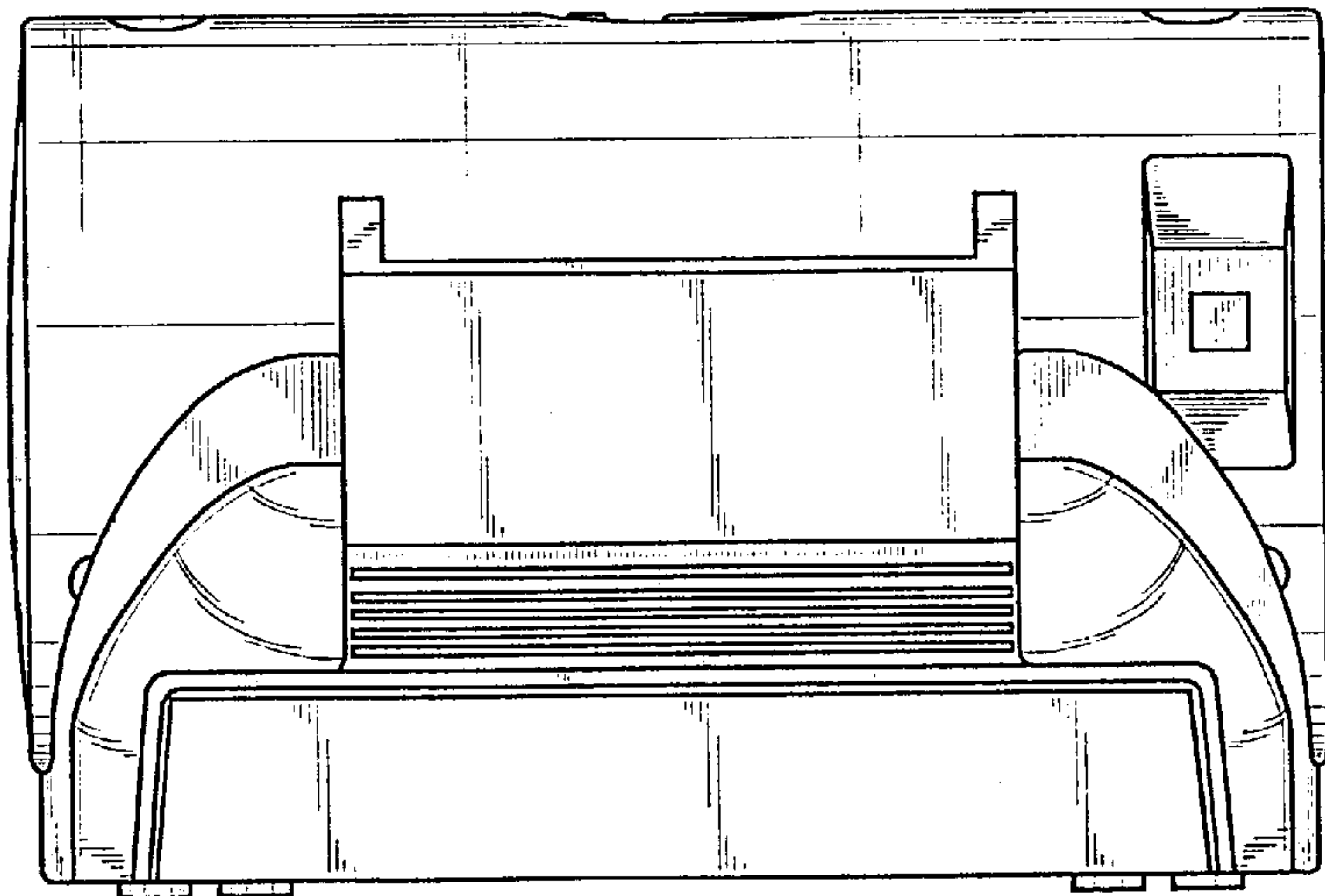


Fig. 3

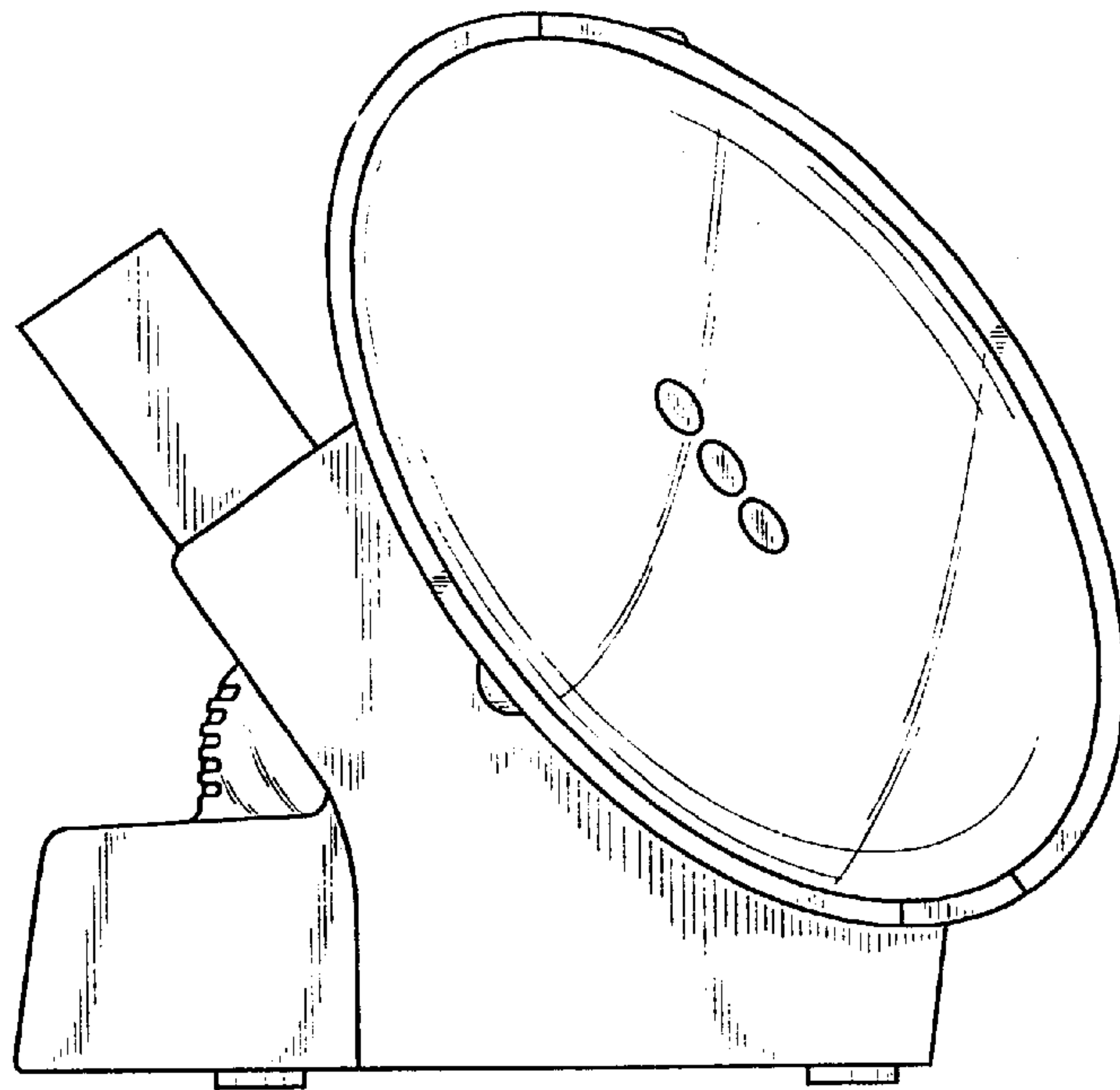


Fig. 4

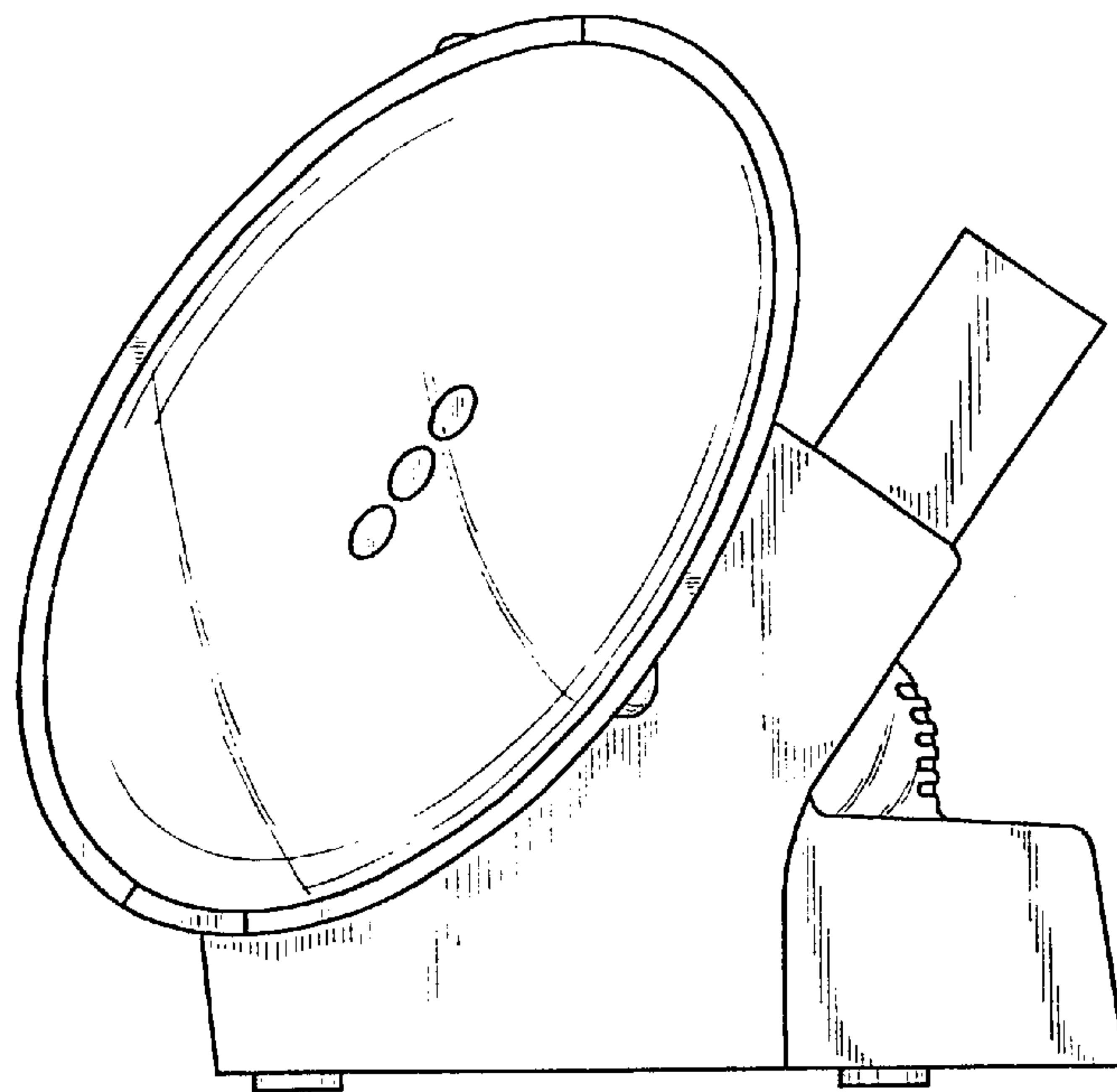


Fig. 5

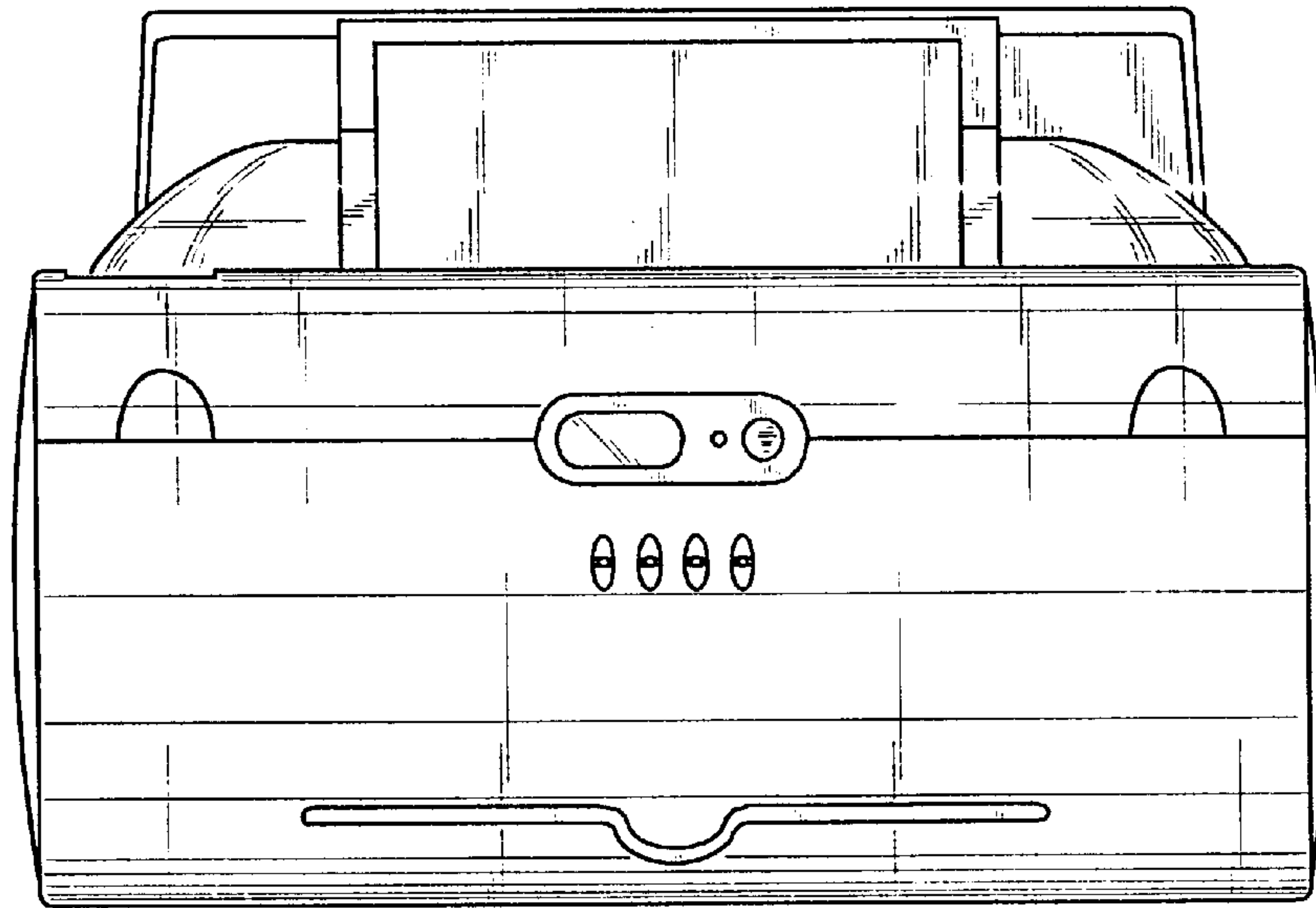


Fig. 6

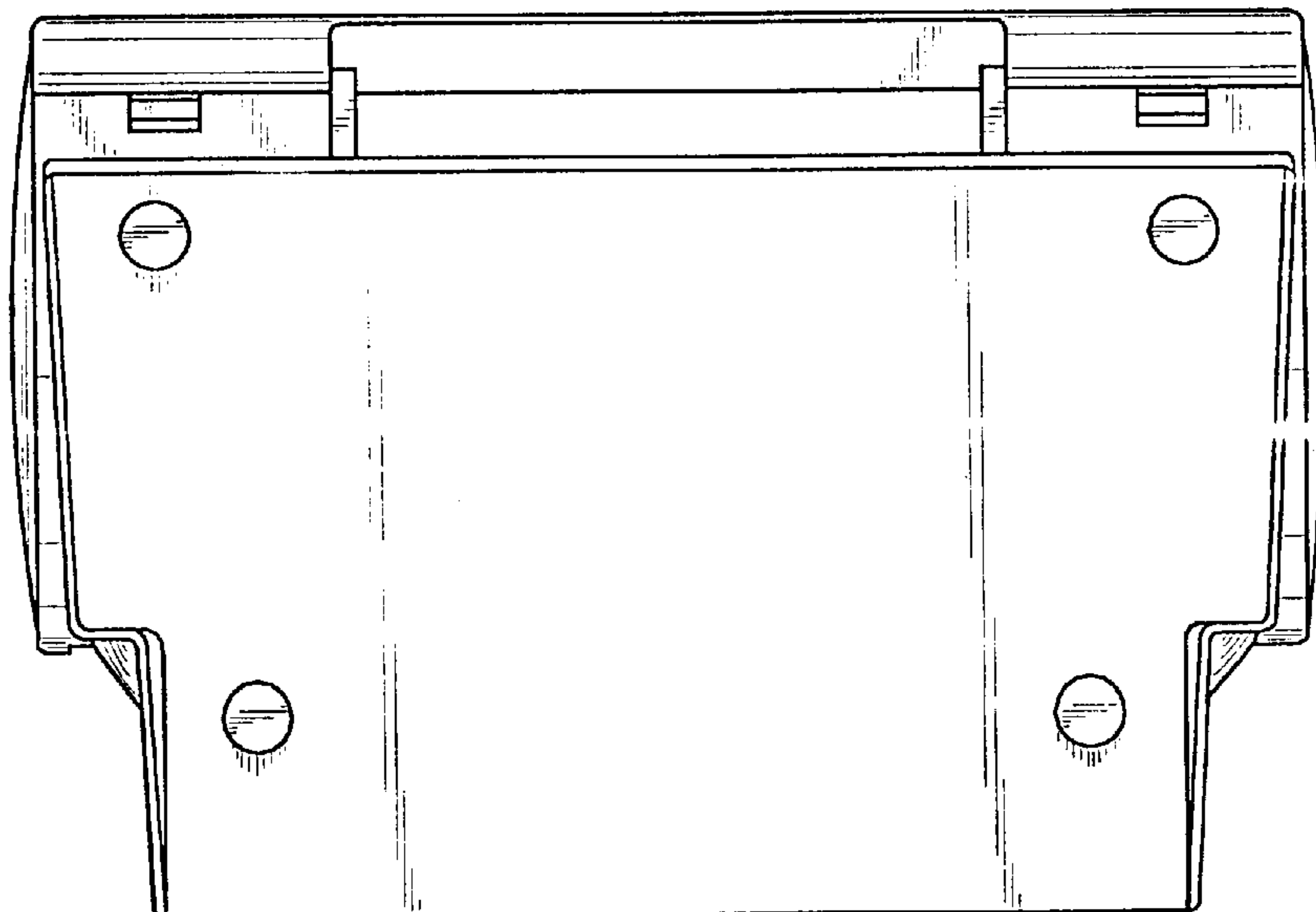


Fig. 7