



US00D450344B1

(12) **United States Design Patent**
Ito et al.

(10) **Patent No.:** **US D450,344 S**

(45) **Date of Patent:** **** Nov. 13, 2001**

(54) **IMAGE DRUM CARTRIDGE**

(75) Inventors: **Junichi Ito; Sinichi Otani; Atsushi Kobayashi; Yoshiharu Momiyama; Shigeki Nakajima**, all of Tokyo (JP)

(73) Assignee: **Oki Data Corporation**, Tokyo (JP)

(**) Term: **14 Years**

(21) Appl. No.: **29/126,992**

(22) Filed: **Jul. 28, 2000**

(51) **LOC (7) Cl.** **16-03**

(52) **U.S. Cl.** **D18/40**

(58) **Field of Search** D18/40, 43, 56;
399/24-27, 31, 119-123, 130, 134, 262;
222/DIG. 1

(56) **References Cited**

U.S. PATENT DOCUMENTS

D. 298,335 * 11/1988 Masaki et al. D18/40

D. 359,069 * 6/1995 Komaki et al. D18/43
D. 418,862 * 1/2000 Ogawa et al. D18/43

* cited by examiner

Primary Examiner—Caron D. Veynar

(74) *Attorney, Agent, or Firm*—Ladas and Parry

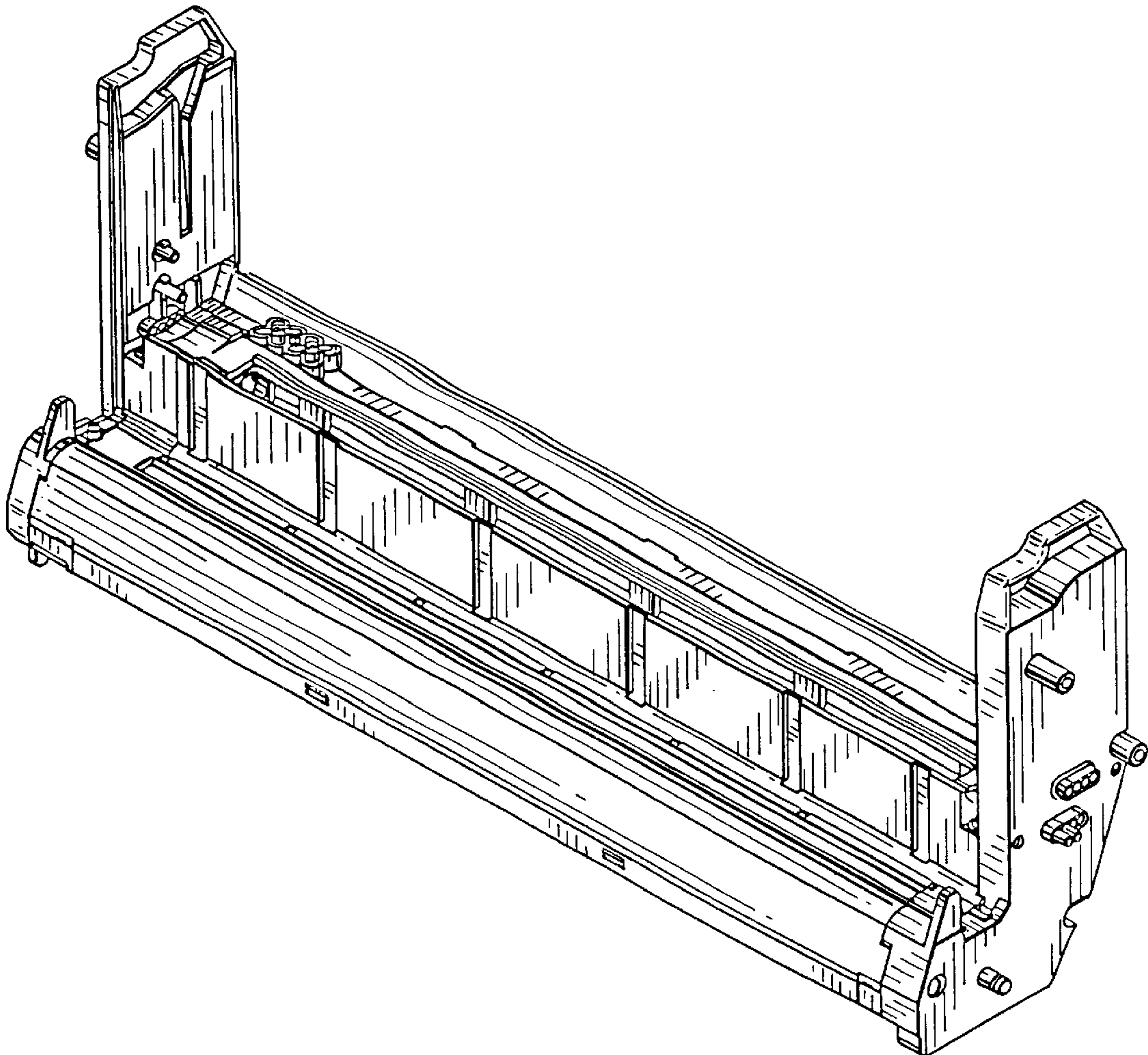
(57) **CLAIM**

The ornamental design for an image drum cartridge, as shown.

DESCRIPTION

FIG. 1 is a front view of the image drum cartridge;
FIG. 2 is a rear view of FIG. 1;
FIG. 3 is a bottom view of FIG. 1;
FIG. 4 is a top view of FIG. 1;
FIG. 5 is a right side view of FIG. 1;
FIG. 6 is a left side view of FIG. 1;
FIG. 7 is a perspective view of FIG. 1; and,
FIG. 8 is a left side view showing the pin in a different position.

1 Claim, 5 Drawing Sheets



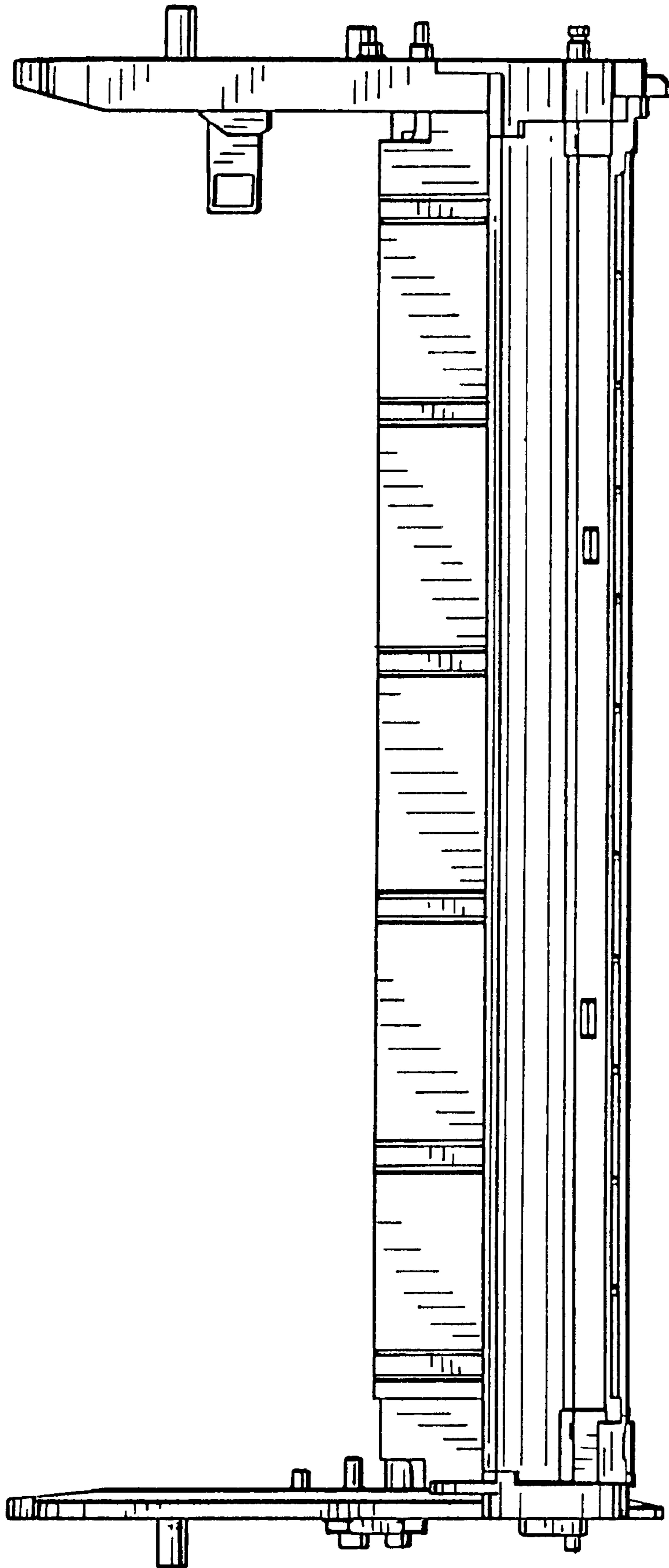


FIG. 1

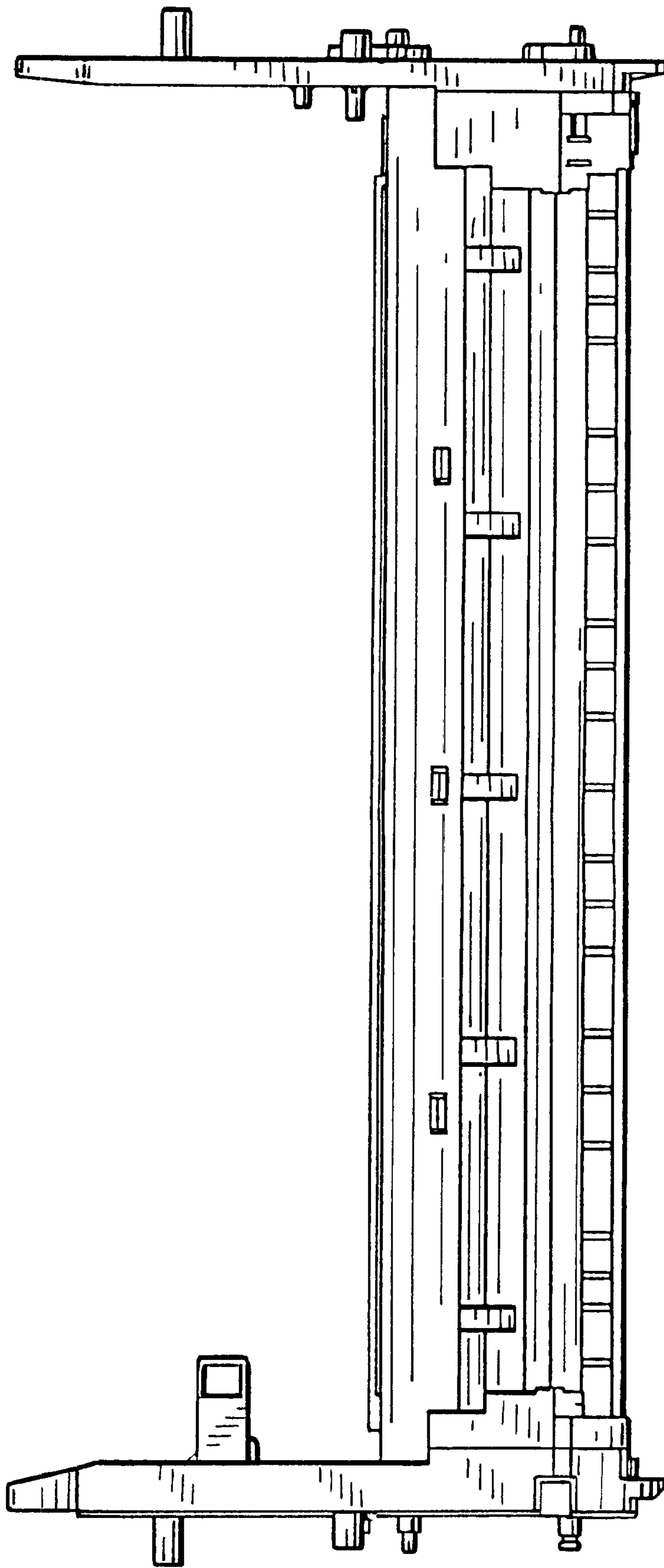


FIG. 2

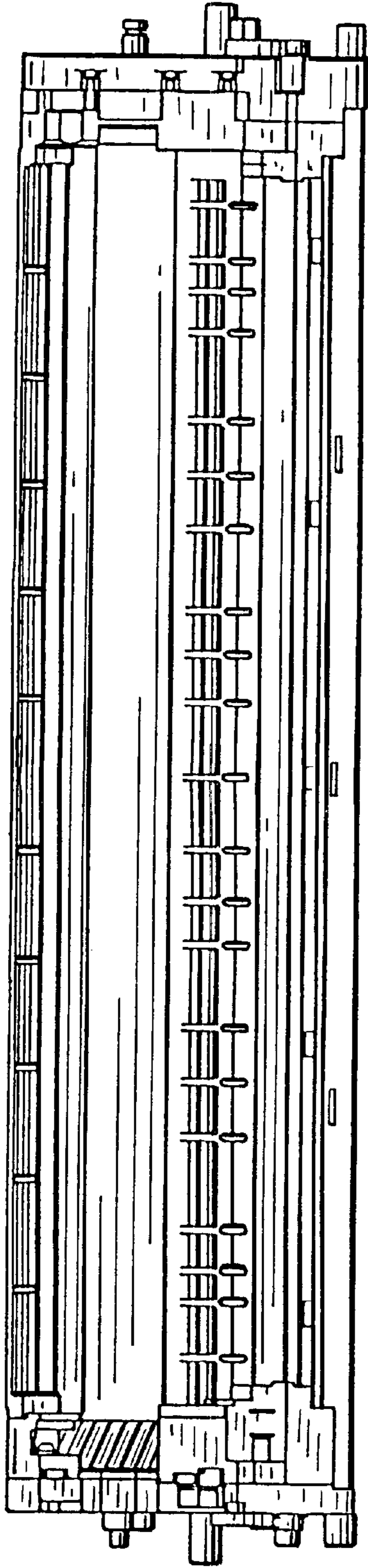


FIG. 3

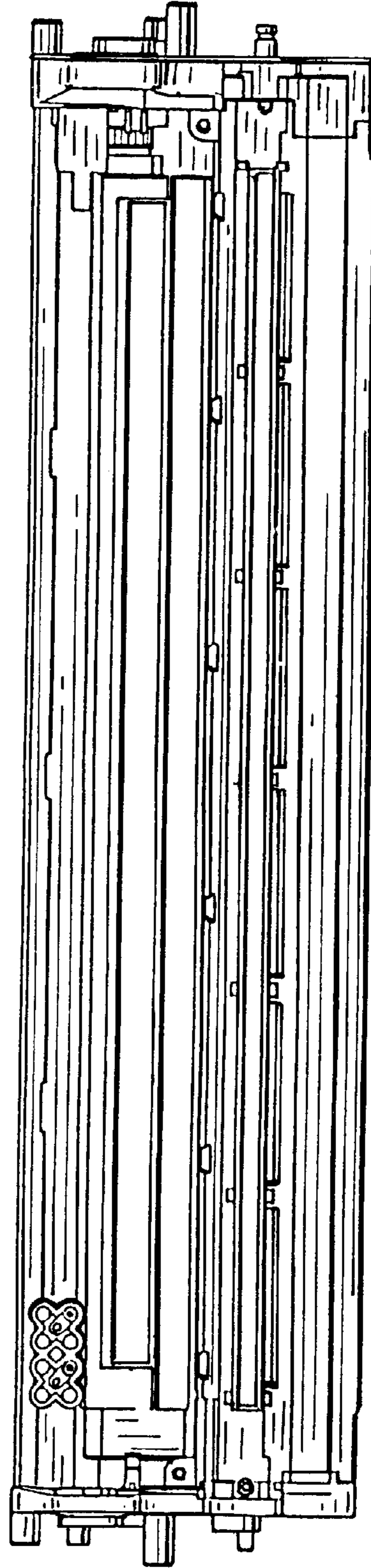


FIG. 4

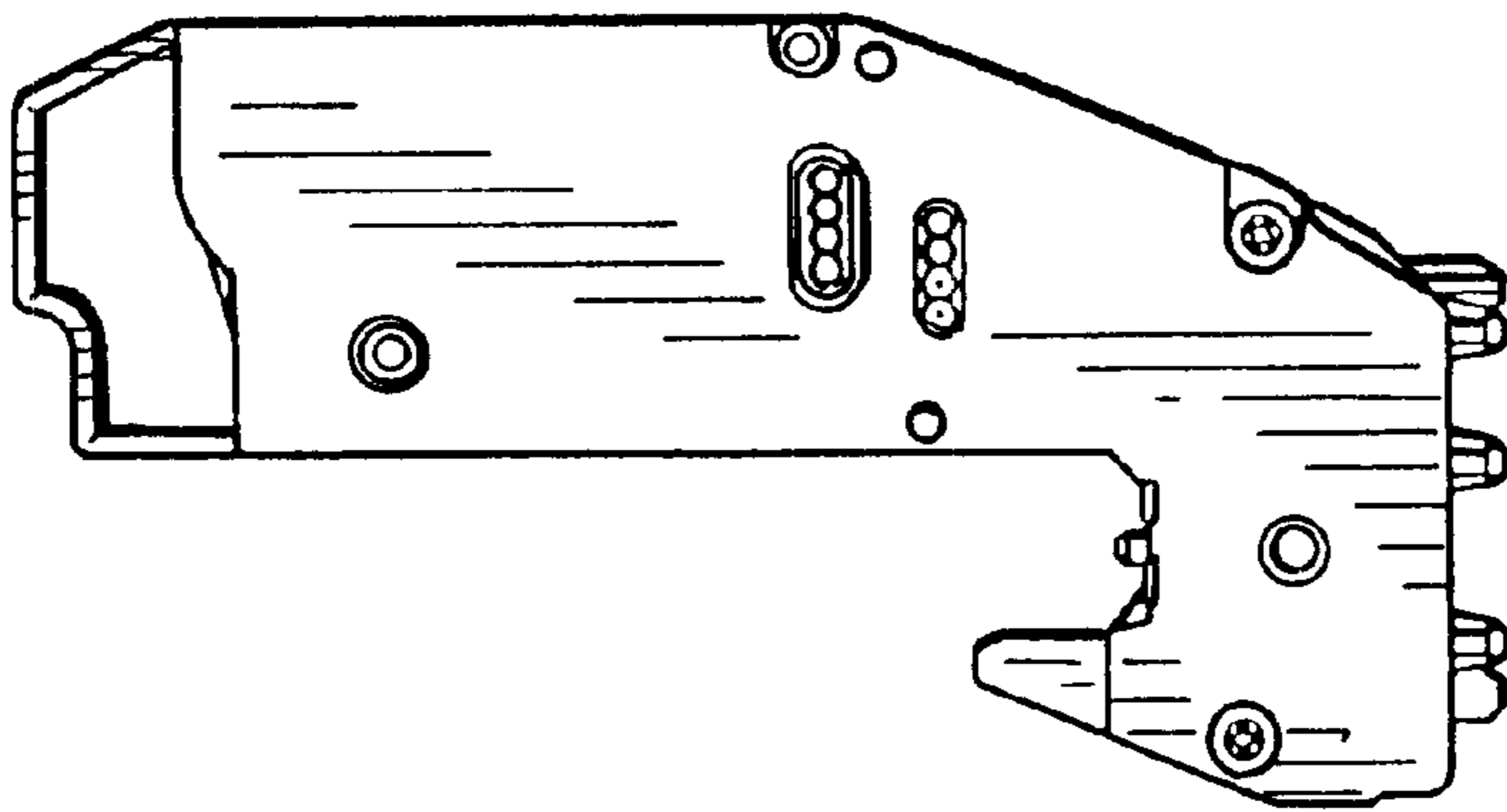


FIG. 5

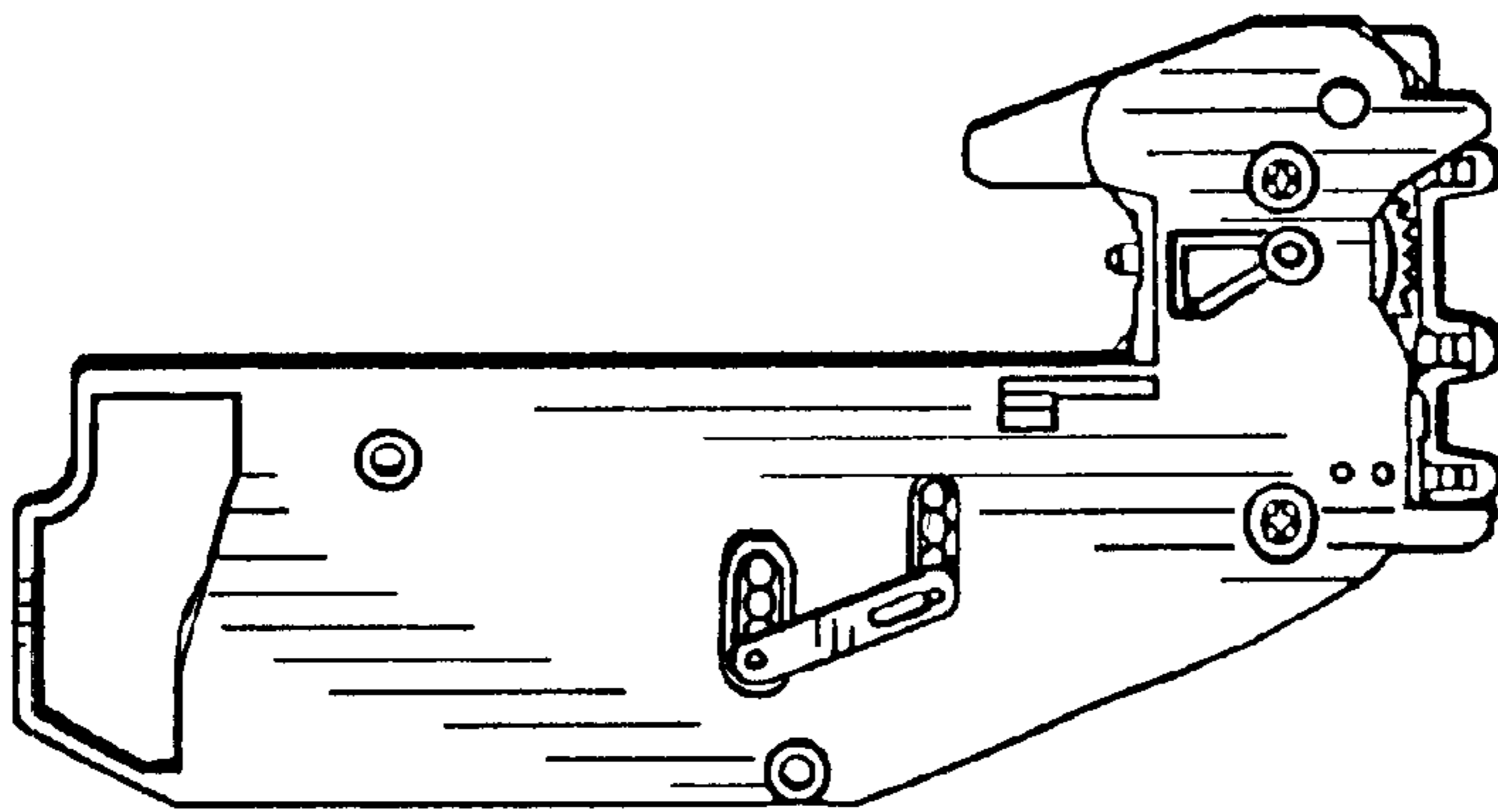


FIG. 6

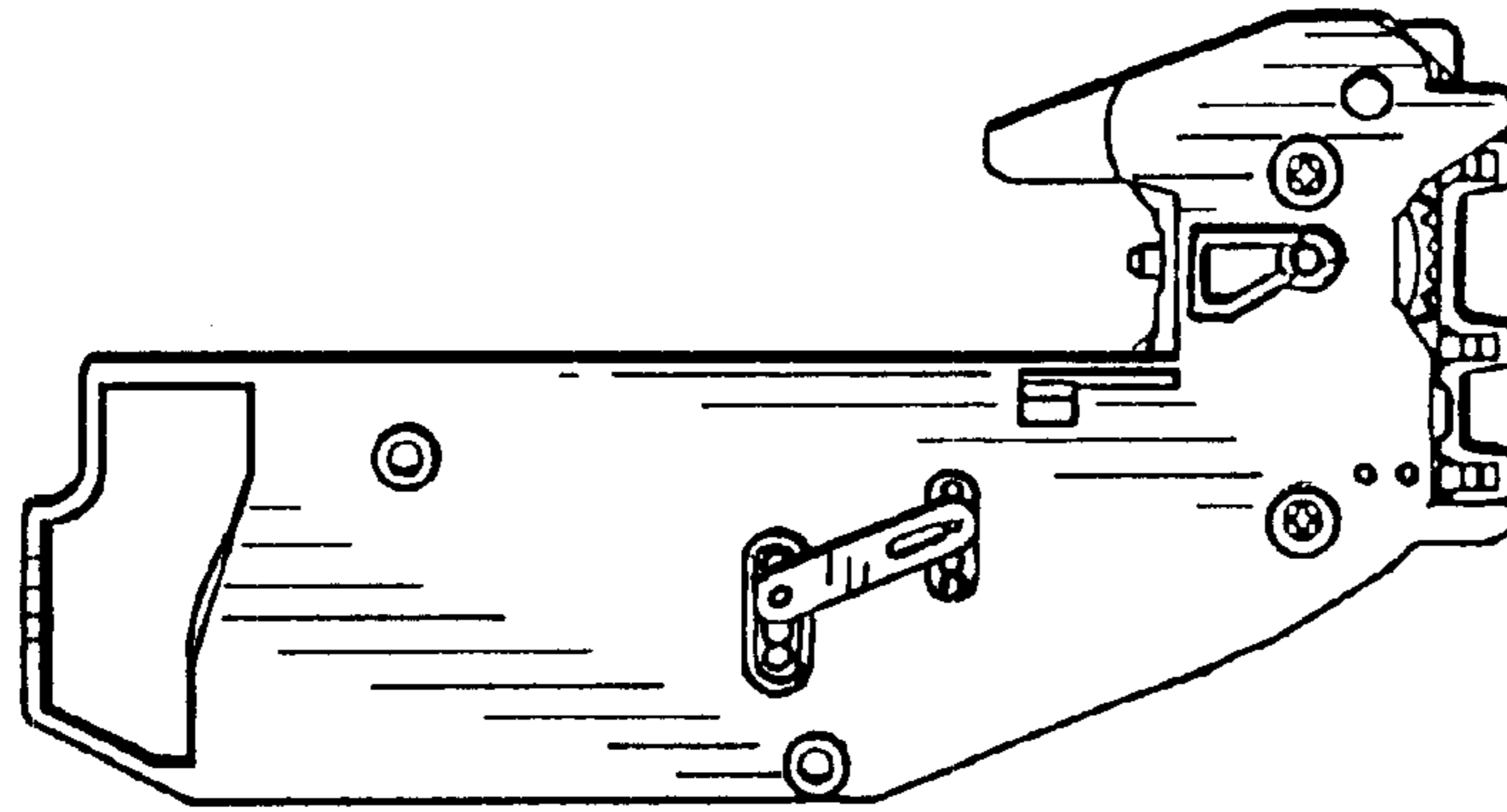


FIG. 8

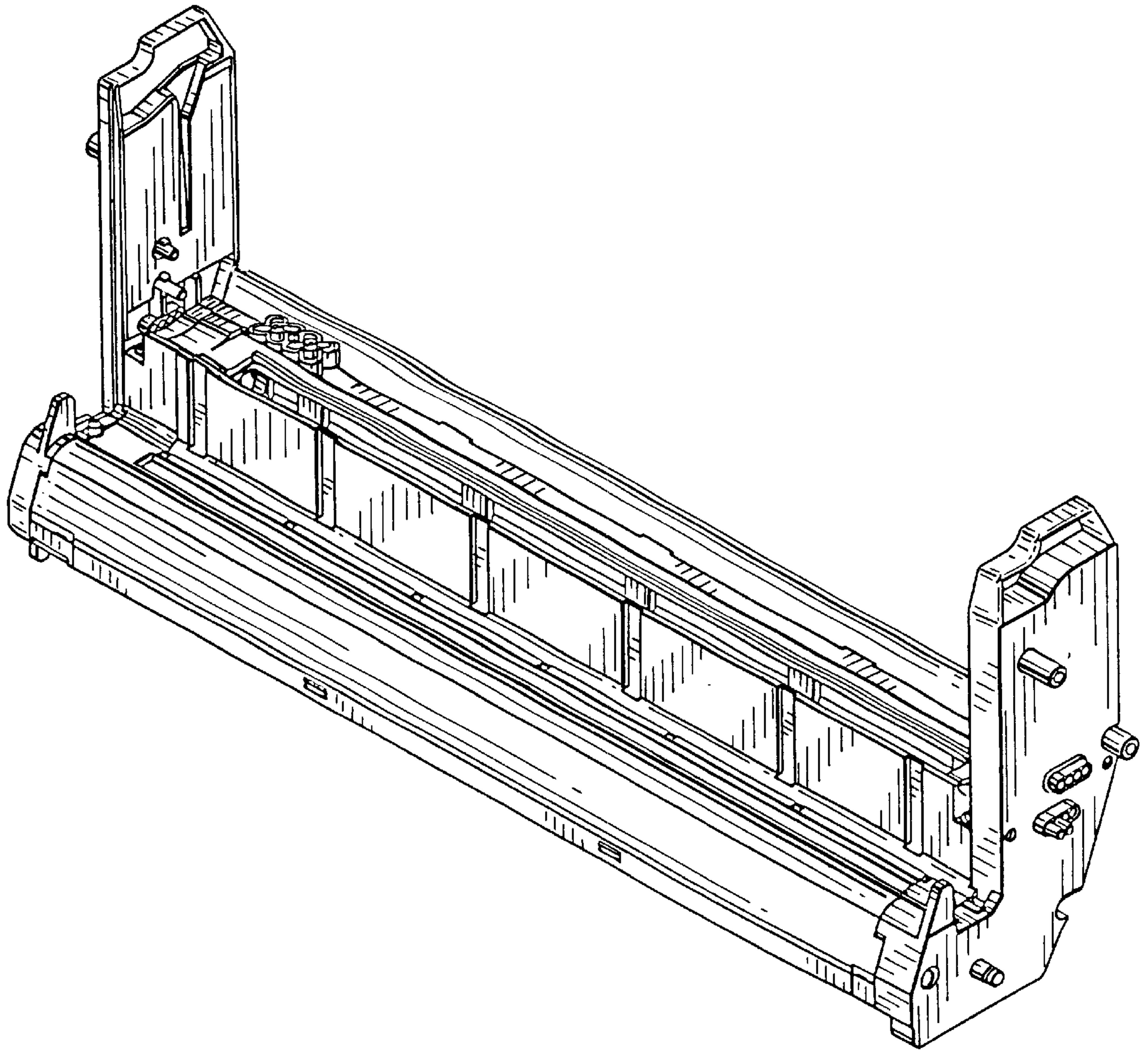


FIG. 7