



US00D450339B1

(12) **United States Design Patent**
Eason

(10) **Patent No.:** **US D450,339 S**

(45) **Date of Patent:** **** Nov. 13, 2001**

(54) **TRIPOD**

5,165,635 * 11/1992 Hoshino 248/169

(75) Inventor: **Donald H. Eason**, Fort Collins, CO
(US)

* cited by examiner

Primary Examiner—Adir Aronovich

(73) Assignee: **Ultimate Support Systems, Inc.**, Fort
Collins, CO (US)

(57) **CLAIM**

The ornamental design for a tripod, as shown and described.

(**) Term: **14 Years**

DESCRIPTION

(21) Appl. No.: **29/116,797**

FIG. 1 is a front perspective view of the tripod showing my
new design;

(22) Filed: **Jan. 11, 2000**

FIG. 2 is a back elevational view thereof;

(51) **LOC (7) Cl.** **16-05**

FIG. 3 is a right side elevational view of the tripod;

(52) **U.S. Cl.** **D16/244**

FIG. 4 is a left side elevational view thereof;

(58) **Field of Search** D6/431, 462; D16/242,
D16/244, 245; 248/162.1, 166, 169, 168,
170, 171, 187.7, 188.6; 396/419, 428

FIG. 5 is a front elevational view of the tripod;

FIG. 6 is an enlarged front perspective view of an upper
telescoping fitting on the fragmentary portion of the tripod
shaft, the lower fitting and leg portions are omitted for ease
of illustration;

(56) **References Cited**

U.S. PATENT DOCUMENTS

- D. 198,296 * 5/1964 Resk D16/244
- D. 268,458 * 4/1983 Schoenig D6/431
- D. 289,835 * 5/1987 Schoenig et al. D6/462
- D. 335,889 * 5/1993 Gibran D16/244
- D. 421,447 * 3/2000 Eason et al. D16/244
- 2,194,800 * 3/1940 Ley 248/171
- 2,845,244 * 7/1958 Prokop 248/171
- 4,988,064 * 1/1991 Hoshino 248/170
- 5,082,222 * 1/1992 Hsu 248/188.6

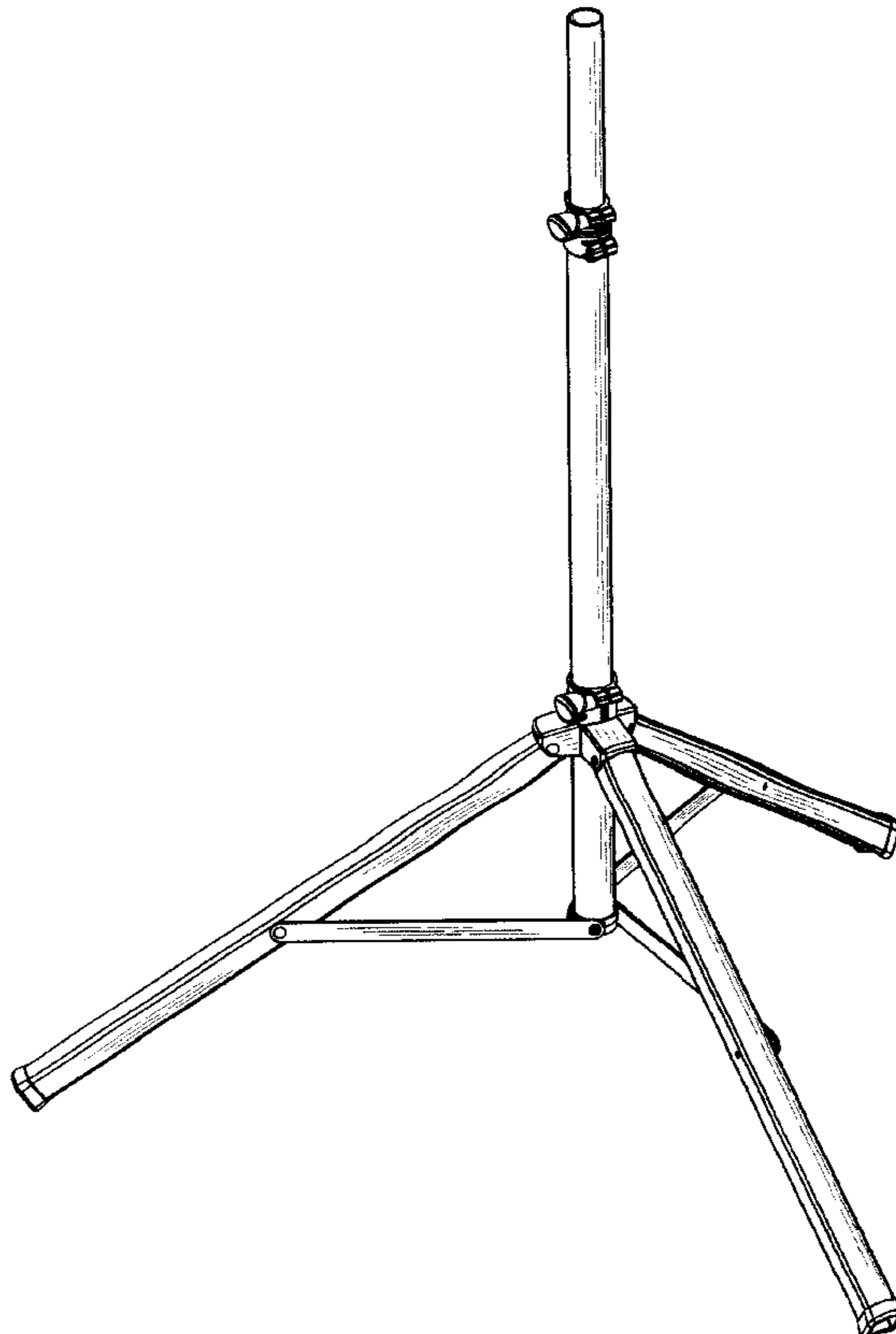
FIG. 7 is an enlarged front perspective view of a lower
telescoping fitting on the fragmentary tripod shaft portion
and enlarged fragmentary legs, the upper fitting is omitted
for easy of illustration;

FIG. 8 is an enlarged bottom perspective view of a brace
fitting on the enlarged fragmentary tripod shaft and legs
portion;

FIG. 9 is a top elevational view of the tripod; and,

FIG. 10 is a bottom elevational view thereof.

1 Claim, 10 Drawing Sheets



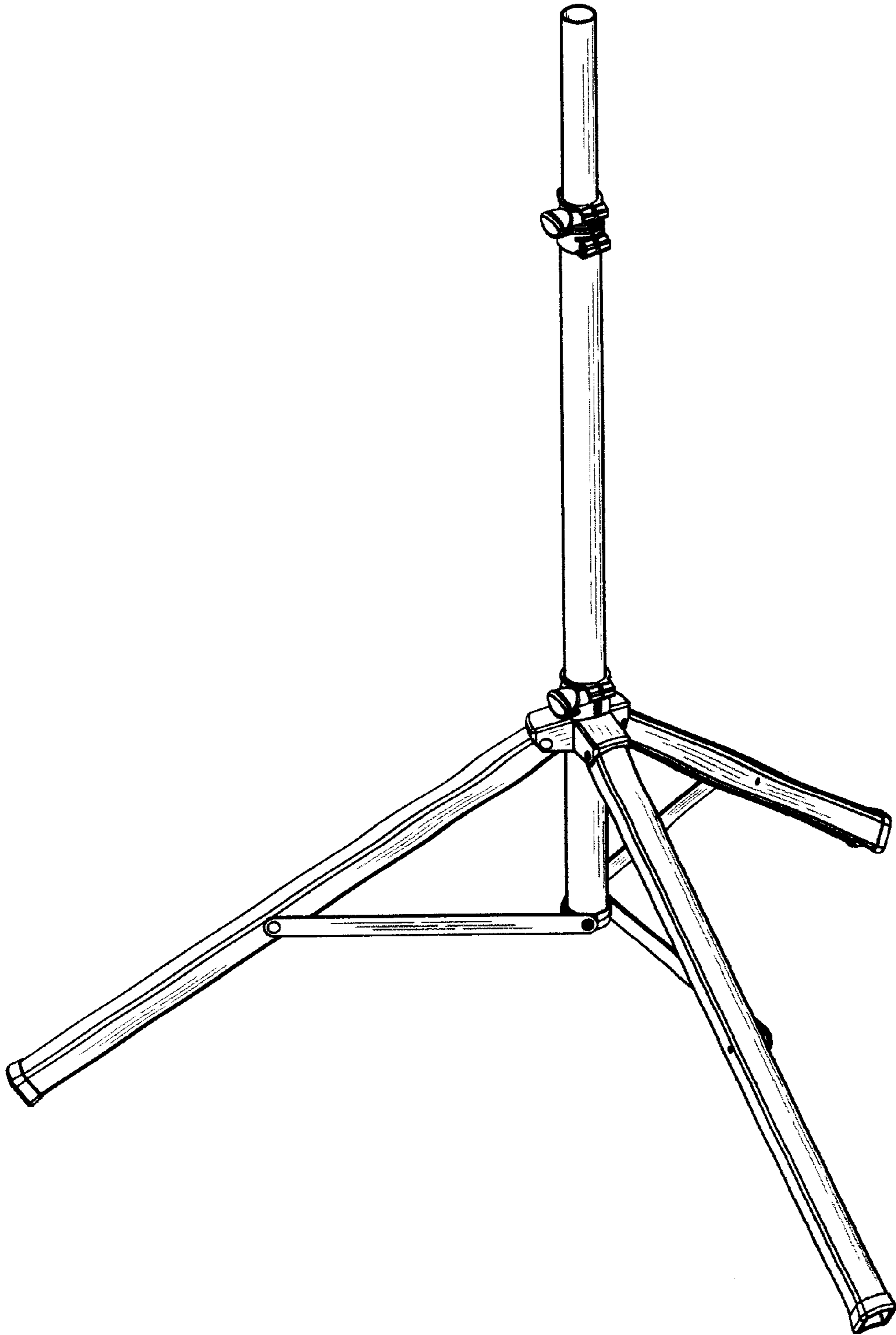


Fig. 1

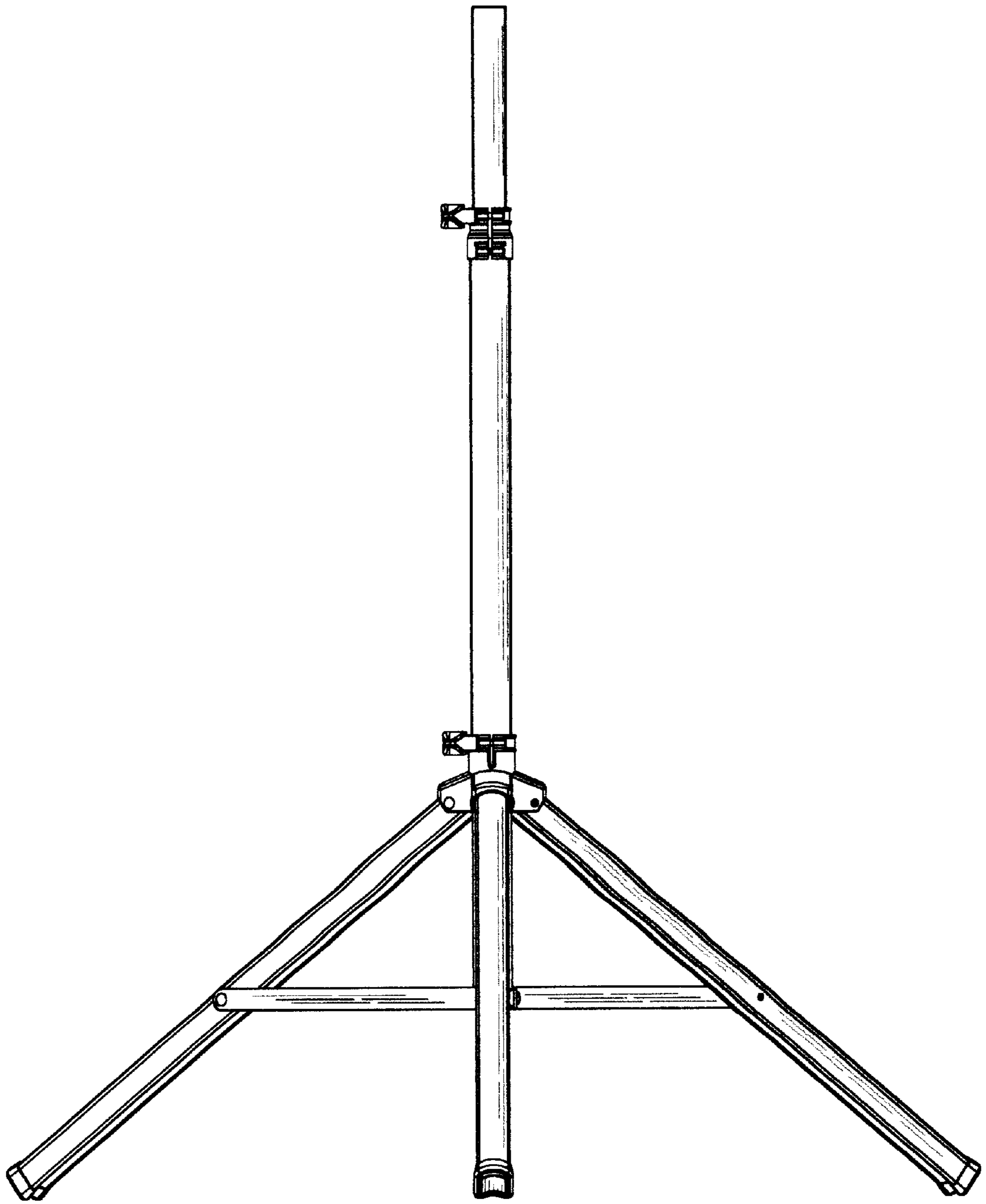


Fig. 2

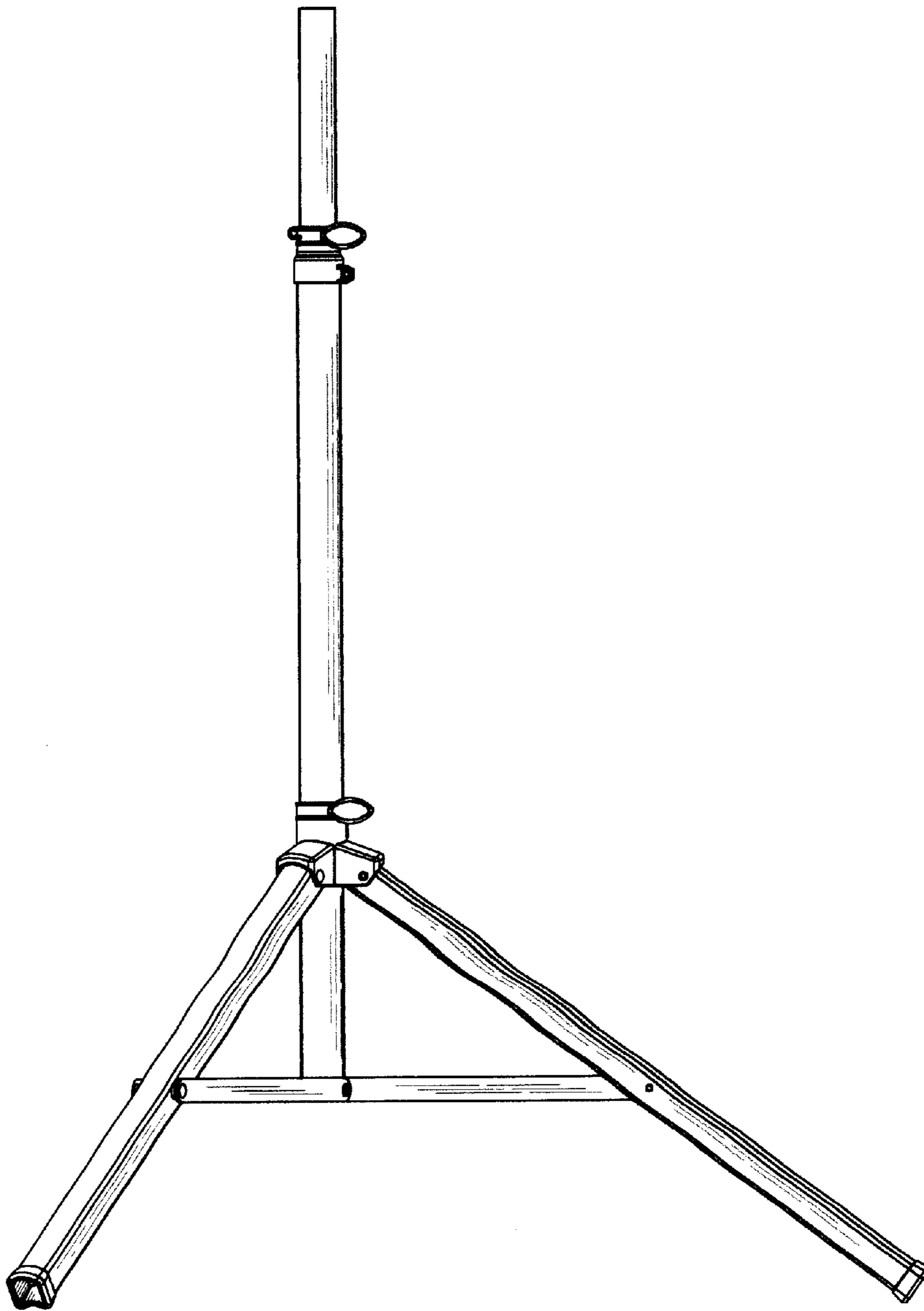


Fig. 3

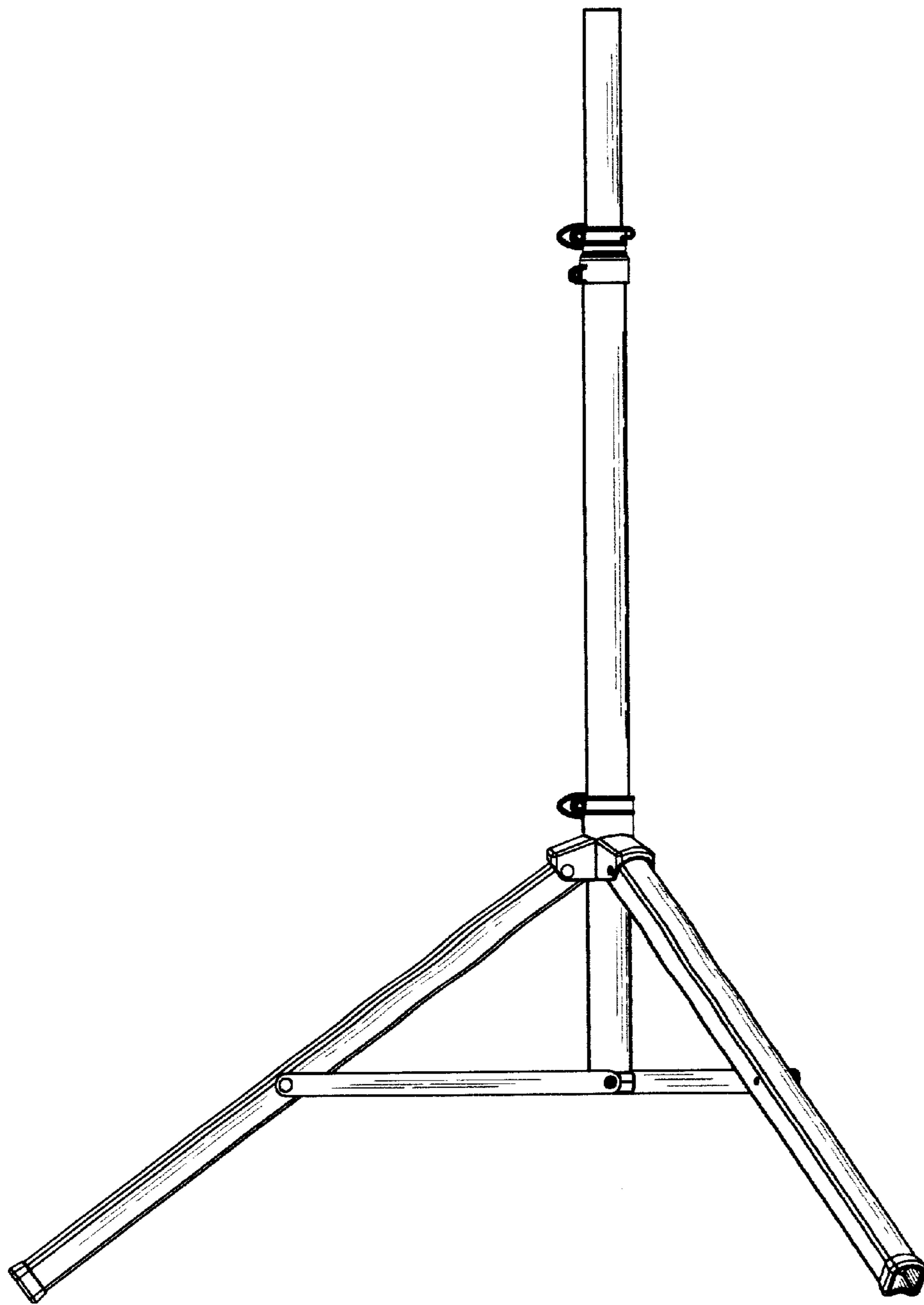


Fig. 4

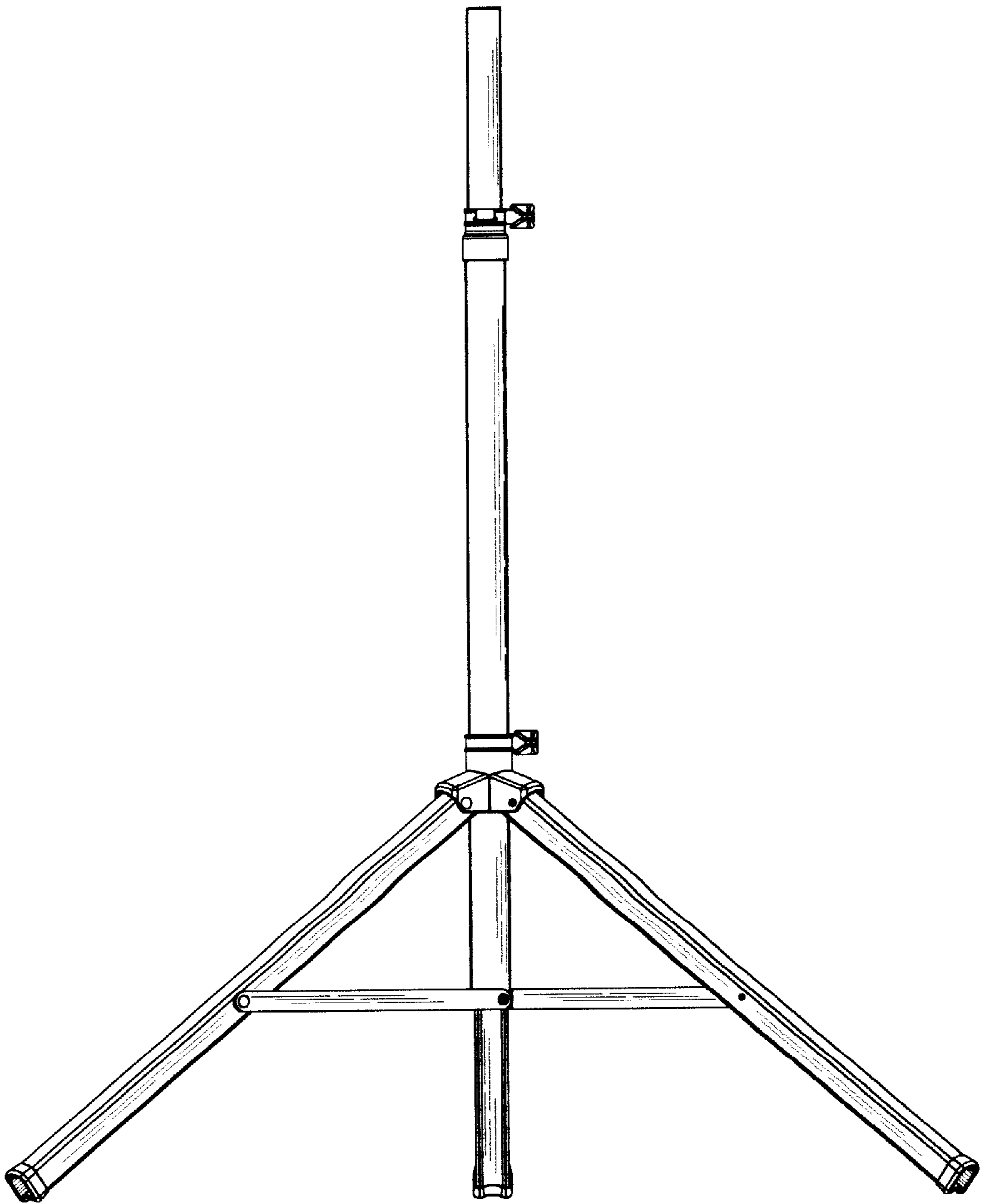


Fig. 5

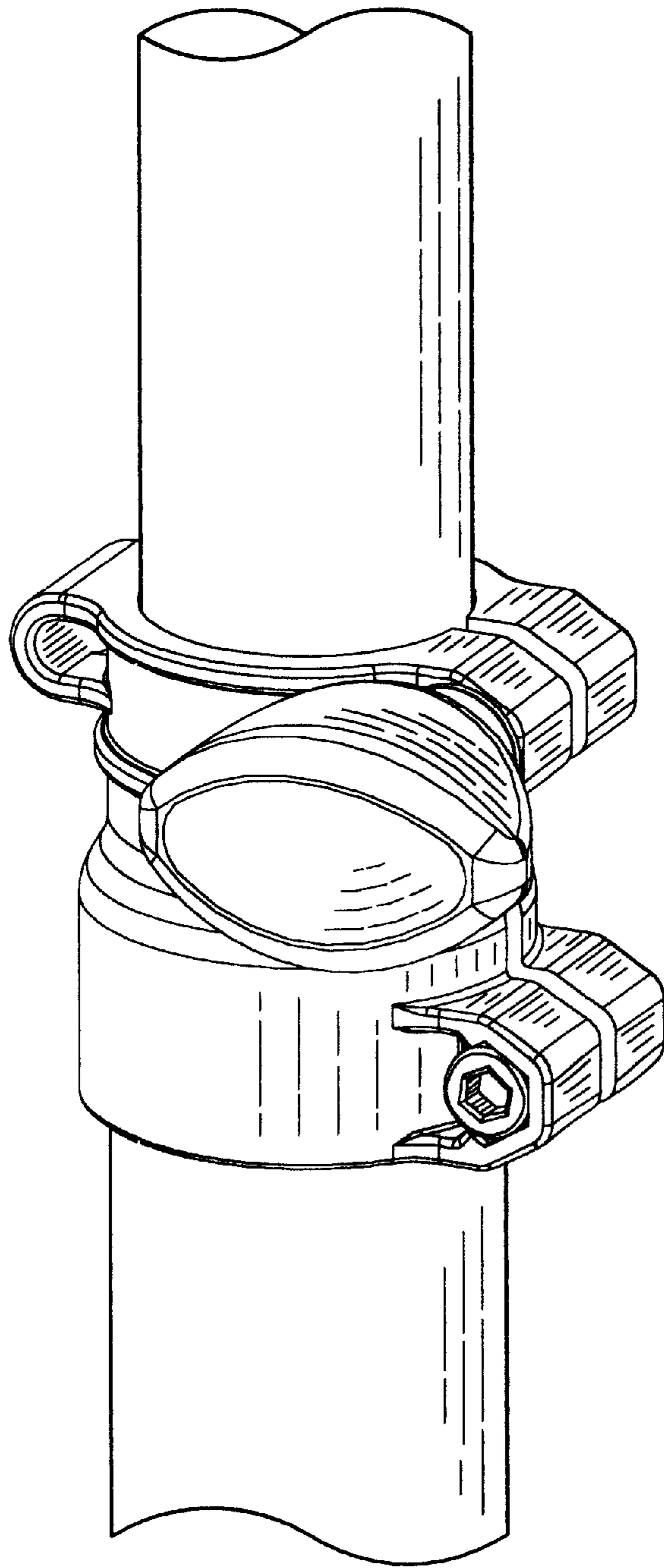


Fig. 6

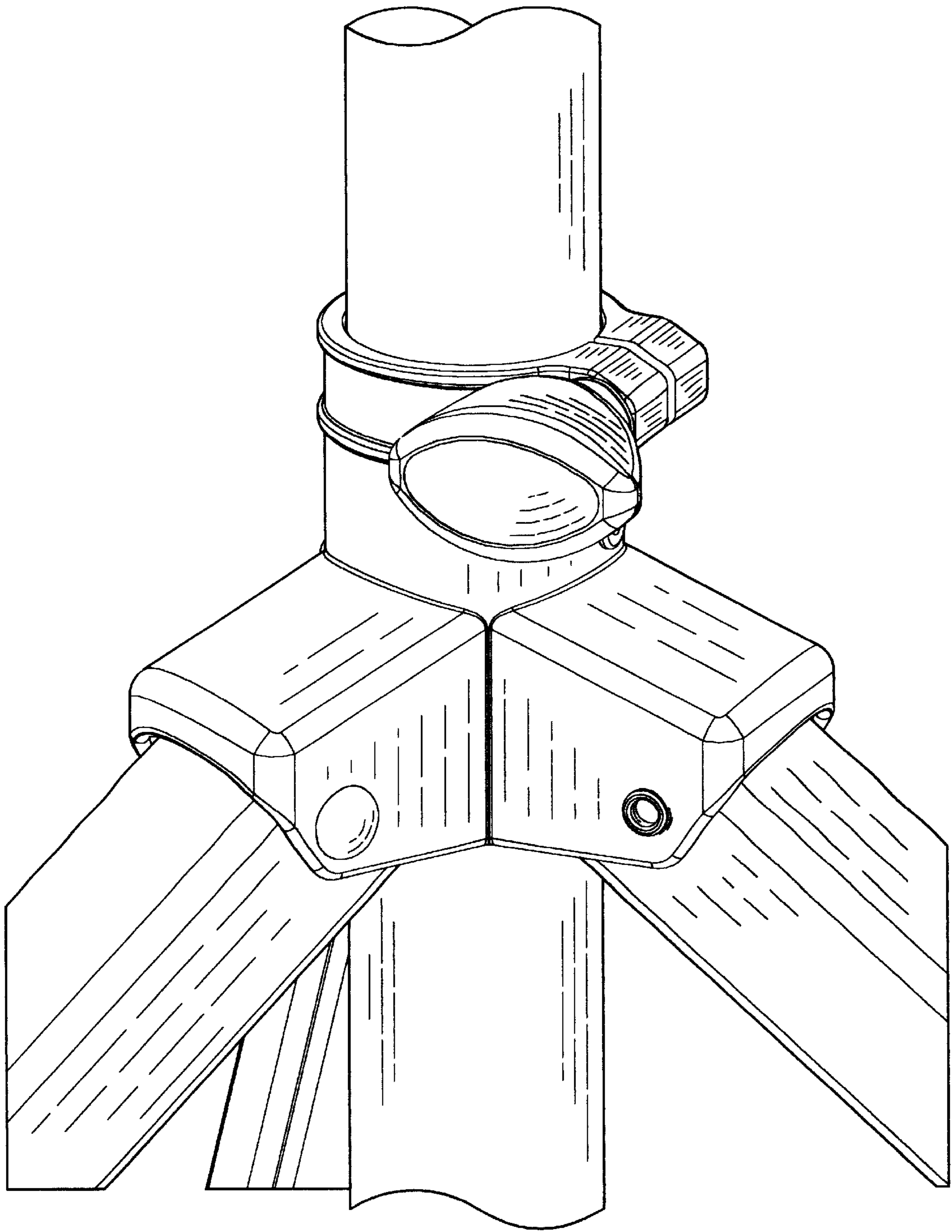


Fig. 7

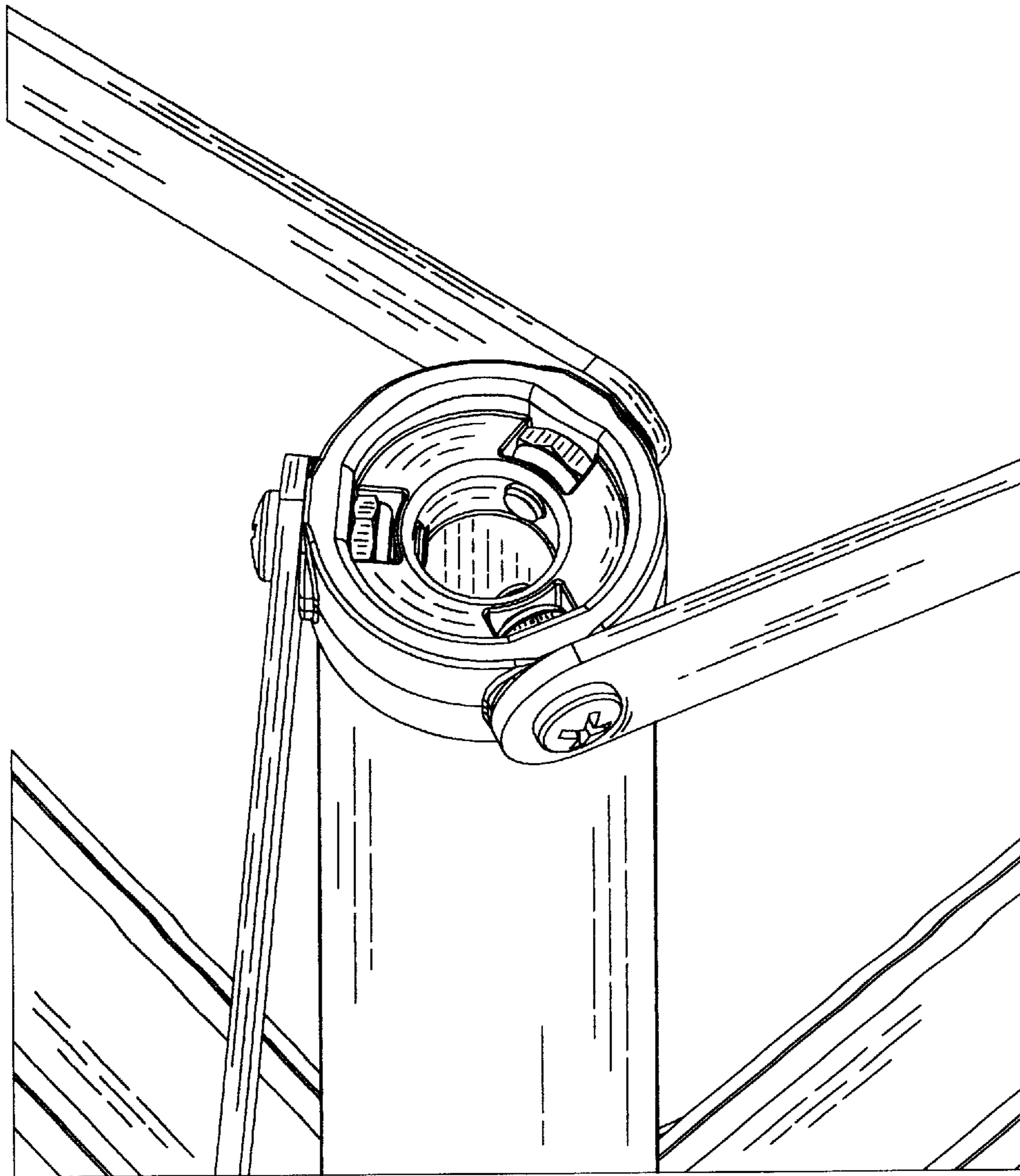


Fig. 8

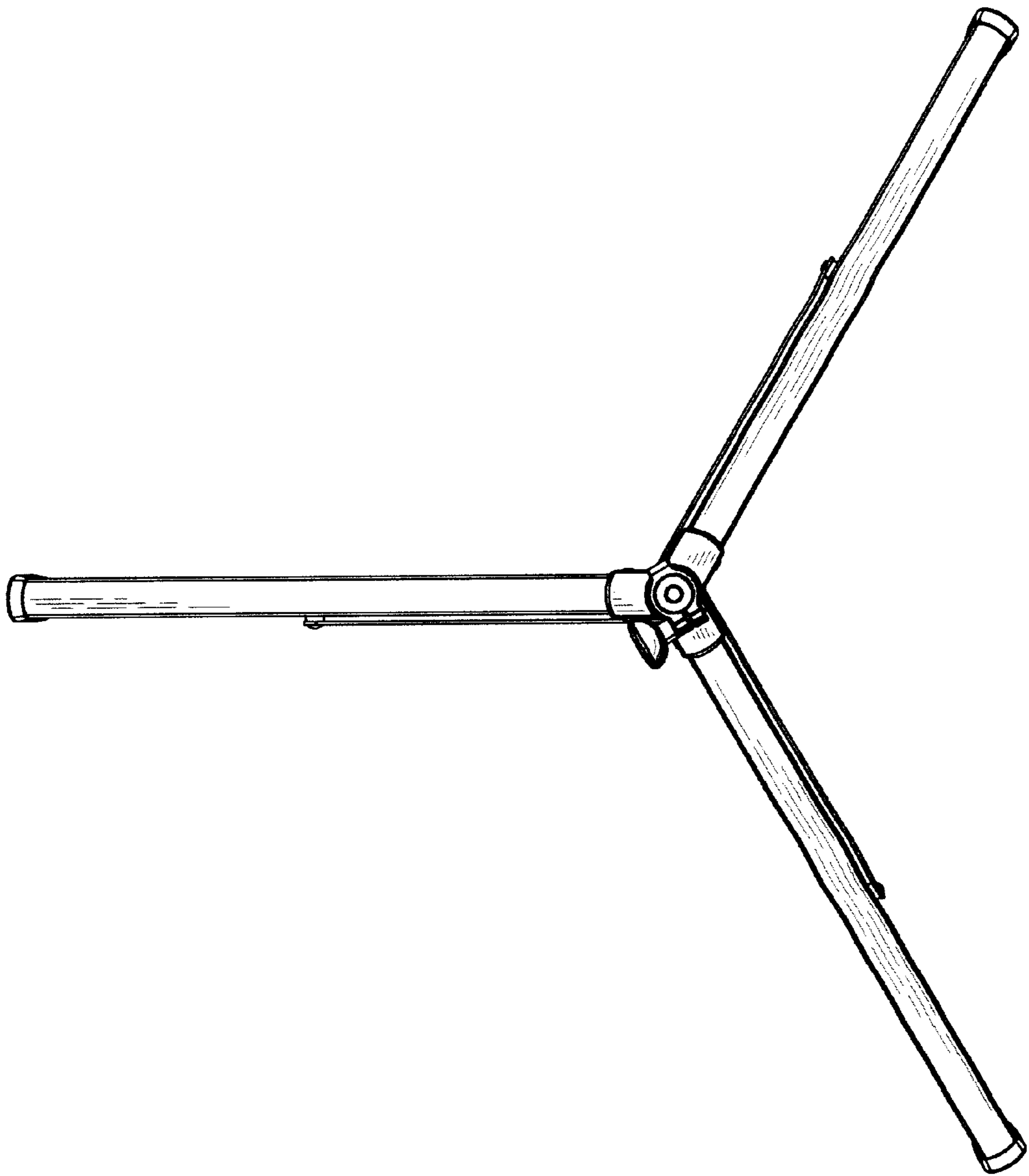


Fig. 9

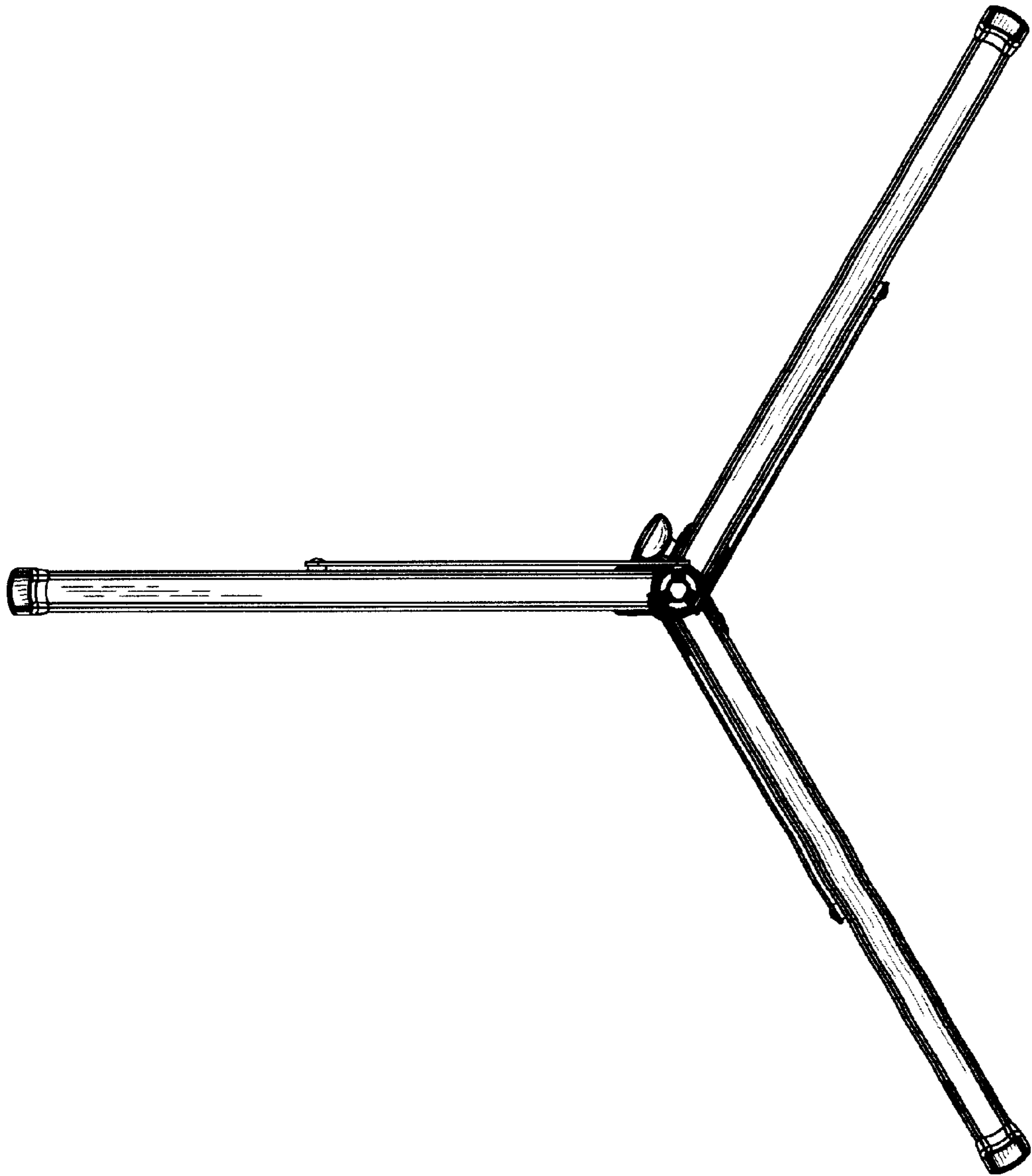


Fig. 10