



US00D450336B1

(12) **United States Design Patent**
Kawasaki et al.

(10) **Patent No.:** **US D450,336 S**

(45) **Date of Patent:** **** Nov. 13, 2001**

(54) **PROJECTOR**

(75) Inventors: **Mugio Kawasaki; Hirohisa Nakano,**
both of Suwa (JP)

(73) Assignee: **Seiko Epson Corporation, Tokyo (JP)**

(**) Term: **14 Years**

(21) Appl. No.: **29/137,283**

(22) Filed: **Feb. 20, 2001**

(30) **Foreign Application Priority Data**

Aug. 24, 2000 (JP) 12-023342

(51) **LOC (7) Cl.** **16-02**

(52) **U.S. Cl.** **D16/231**

(58) **Field of Search** D16/200-205,
D16/208, 221, 225, 230, 231, 234; 353/115,
119, 122

(56) **References Cited**

U.S. PATENT DOCUMENTS

D. 371,148 * 6/1996 Kobayashi D16/221

D. 401,260 * 11/1998 Kodama et al. D16/225

D. 406,159 * 2/1999 Kawasaki et al. D16/234

D. 437,870 * 2/2001 Shiota et al. D16/231

5,868,485 * 2/1999 Fujimori et al. 353/119

* cited by examiner

Primary Examiner—Adir Aronovich

(74) *Attorney, Agent, or Firm*—Oliff & Berridge, PLC

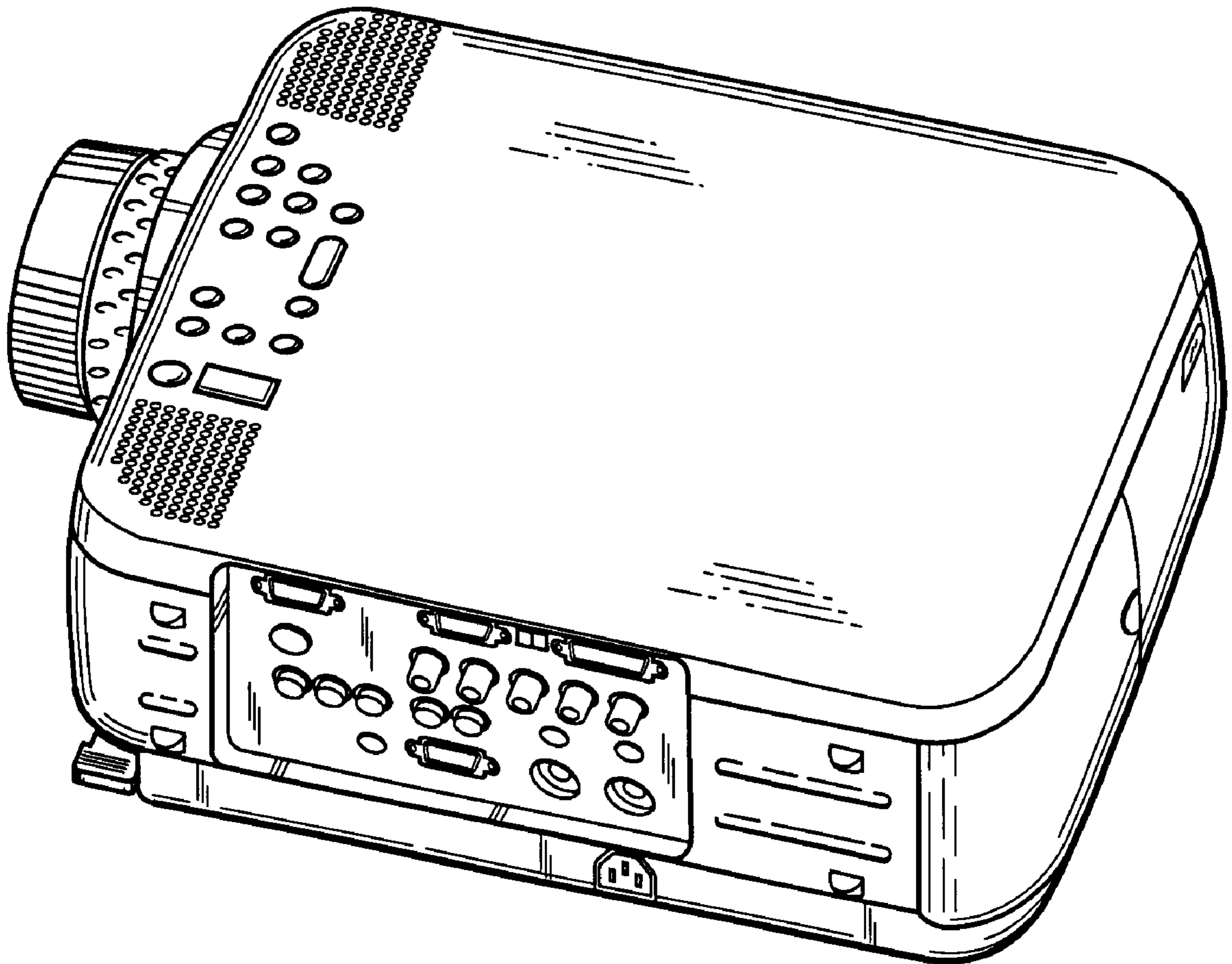
(57) **CLAIM**

The ornamental design for projector, as shown and described.

DESCRIPTION

FIG. 1 is a front view of the projector;
FIG. 2 is a rear view thereof;
FIG. 3 is a left side view thereof;
FIG. 4 is a right side view thereof;
FIG. 5 is a top view thereof;
FIG. 6 is a bottom view; and,
FIG. 7 is a perspective view.

1 Claim, 3 Drawing Sheets



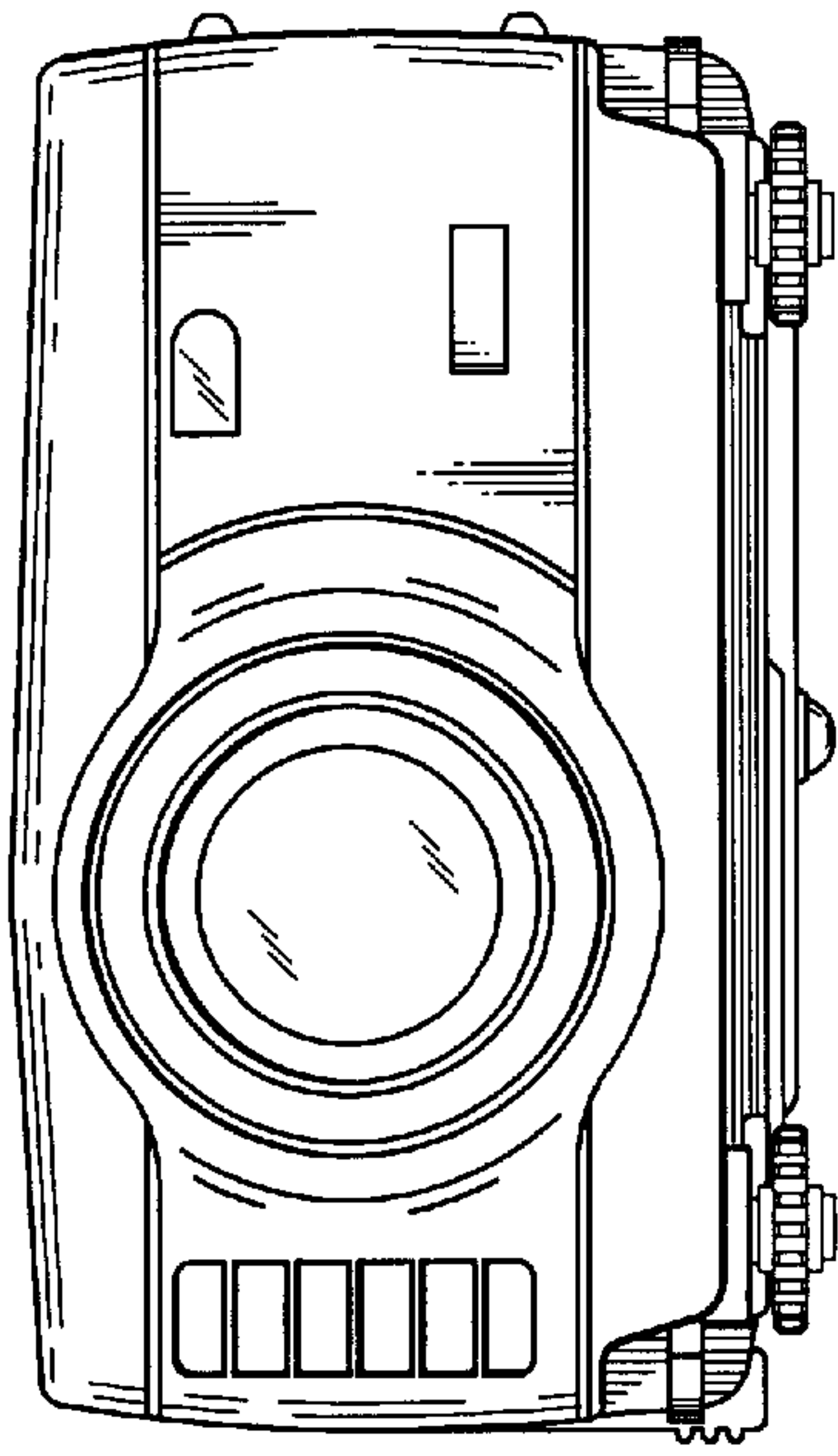


FIG. 1

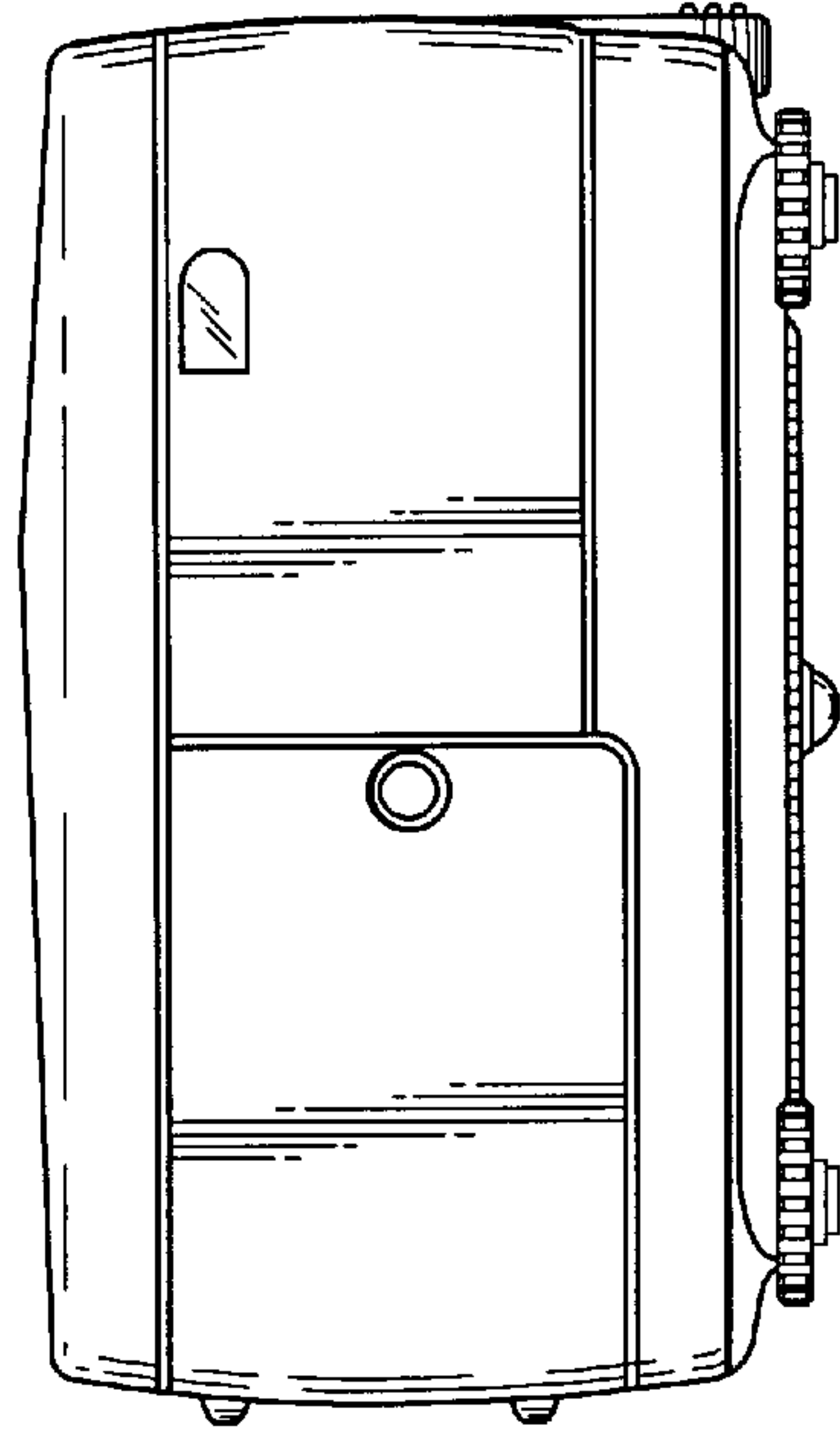


FIG. 2

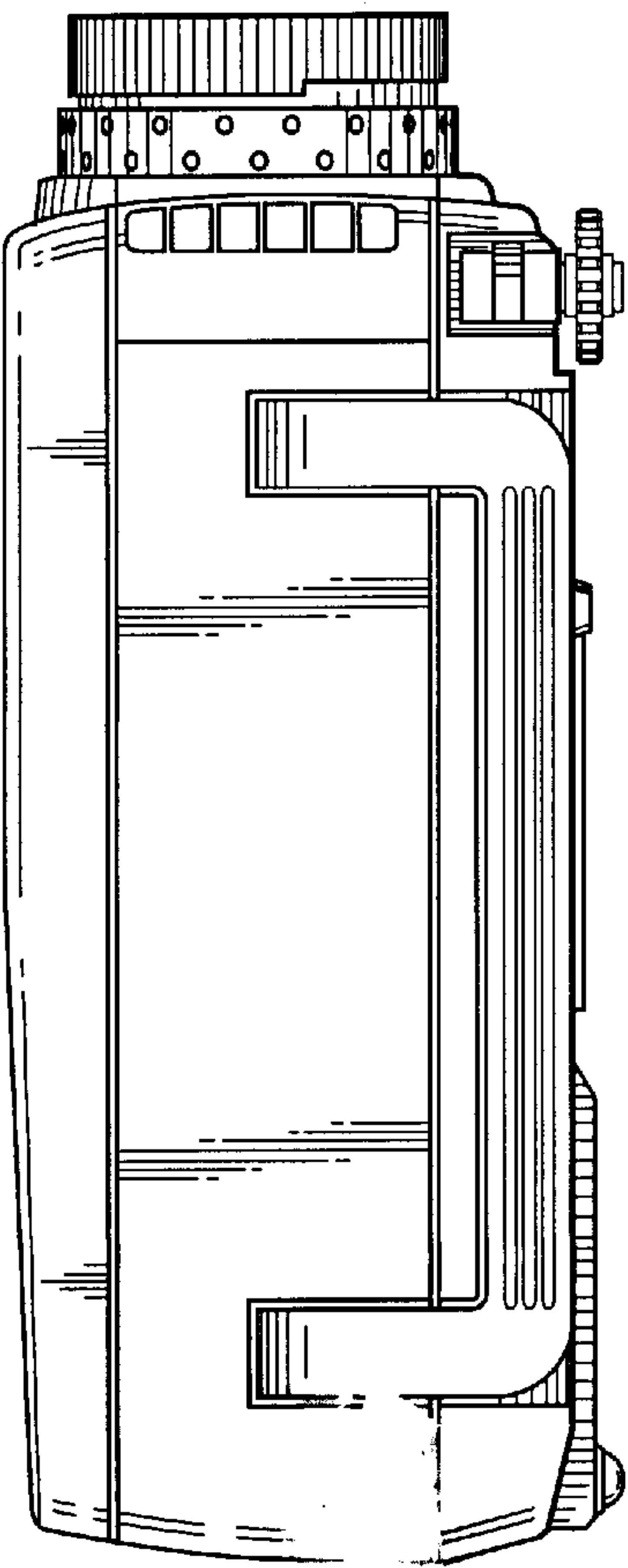


FIG. 3

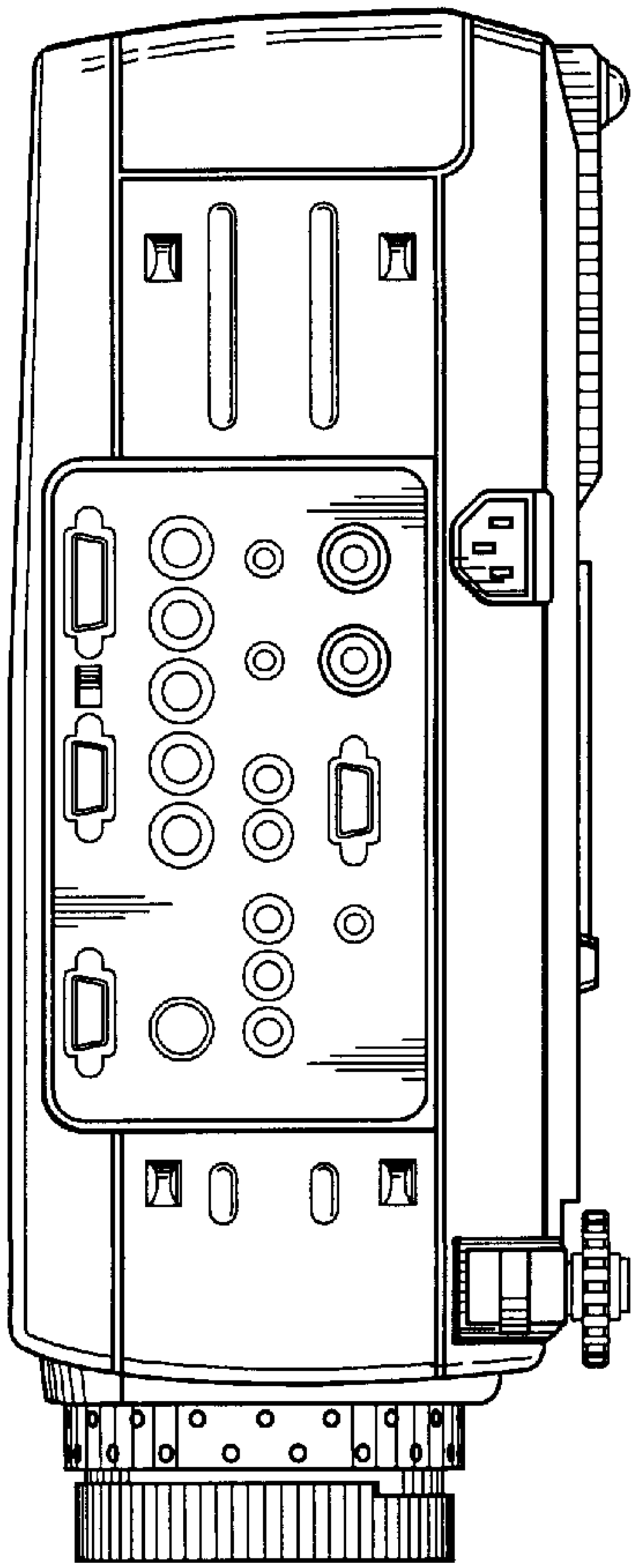


FIG. 4

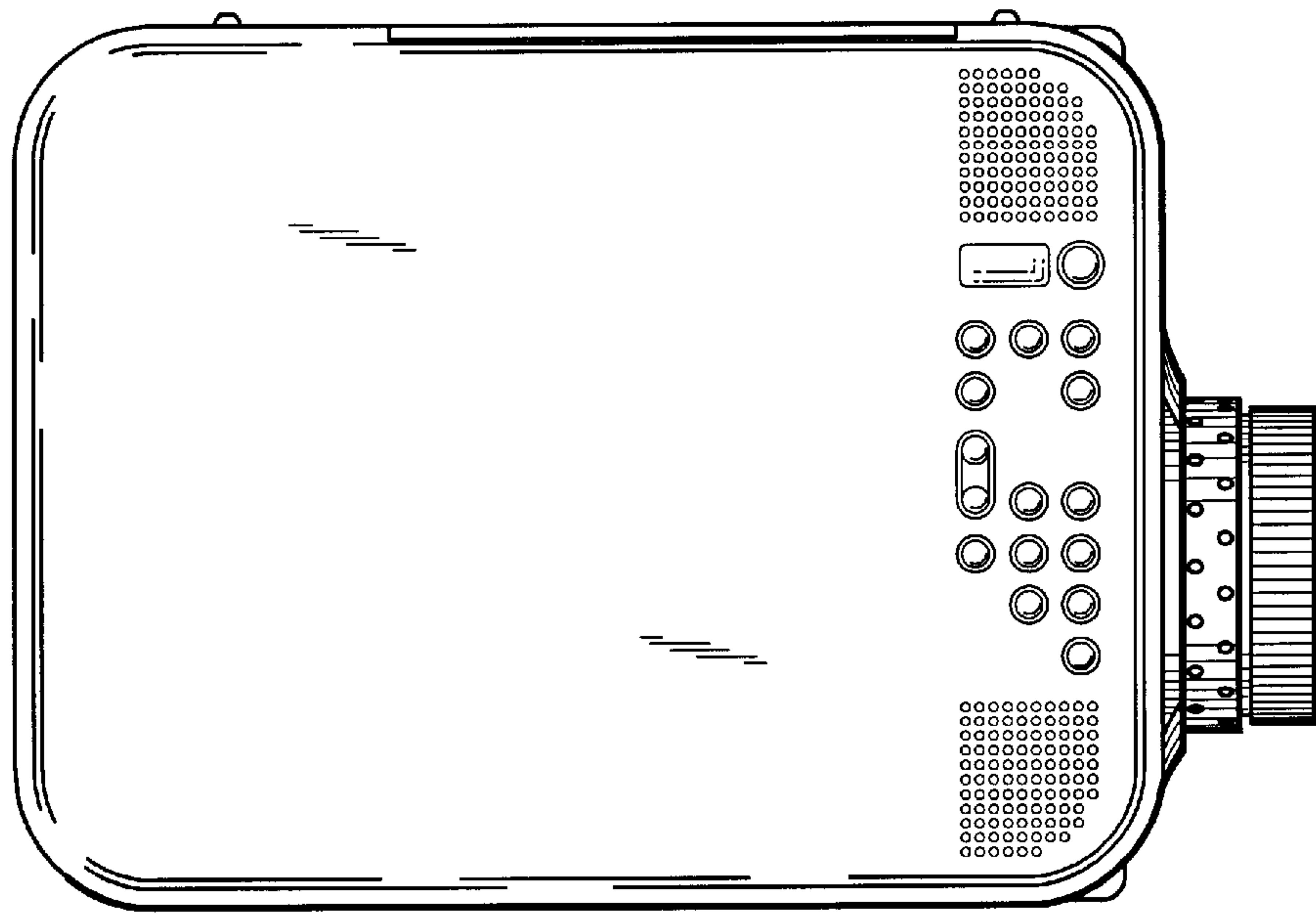


FIG. 5

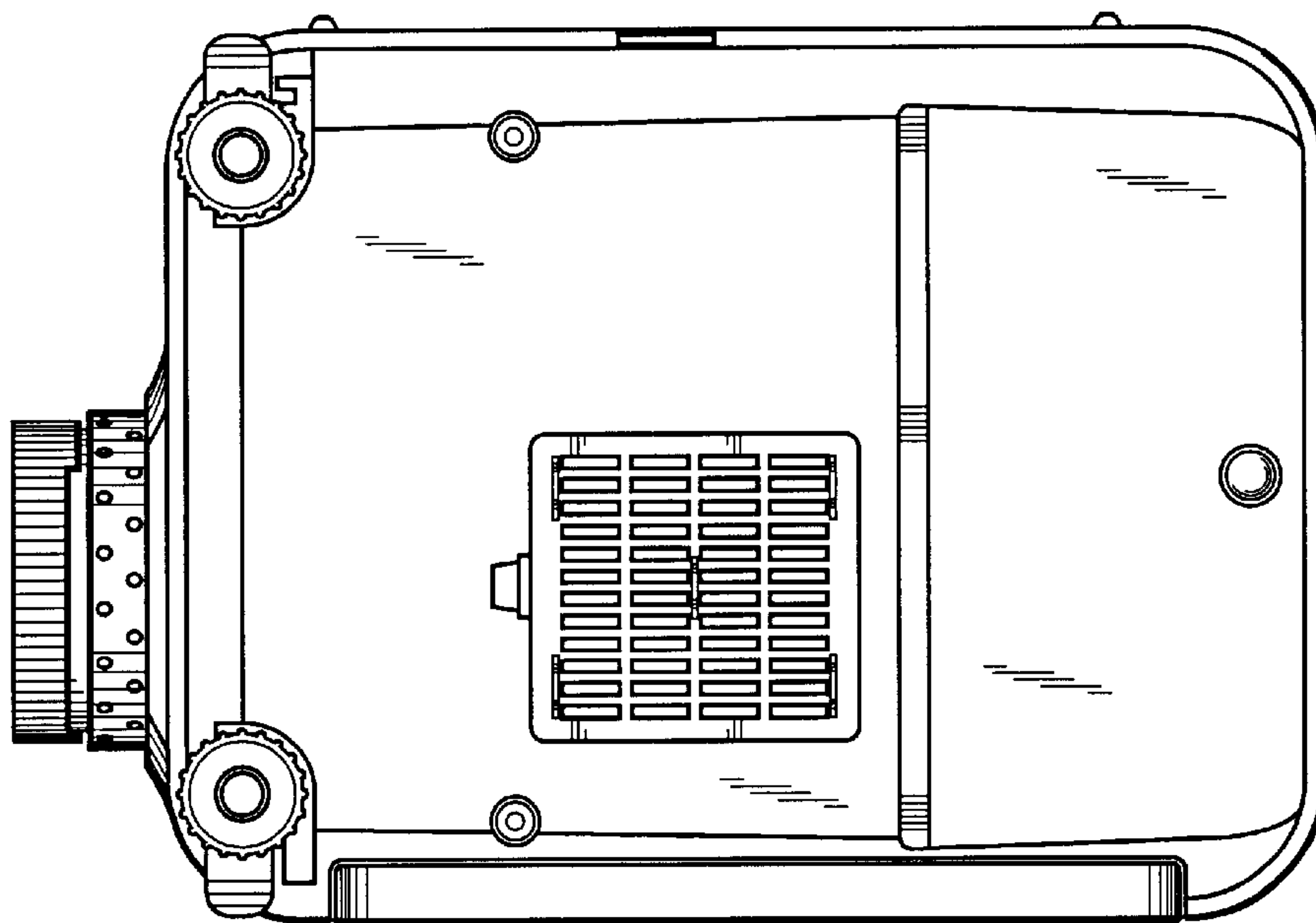


FIG. 6

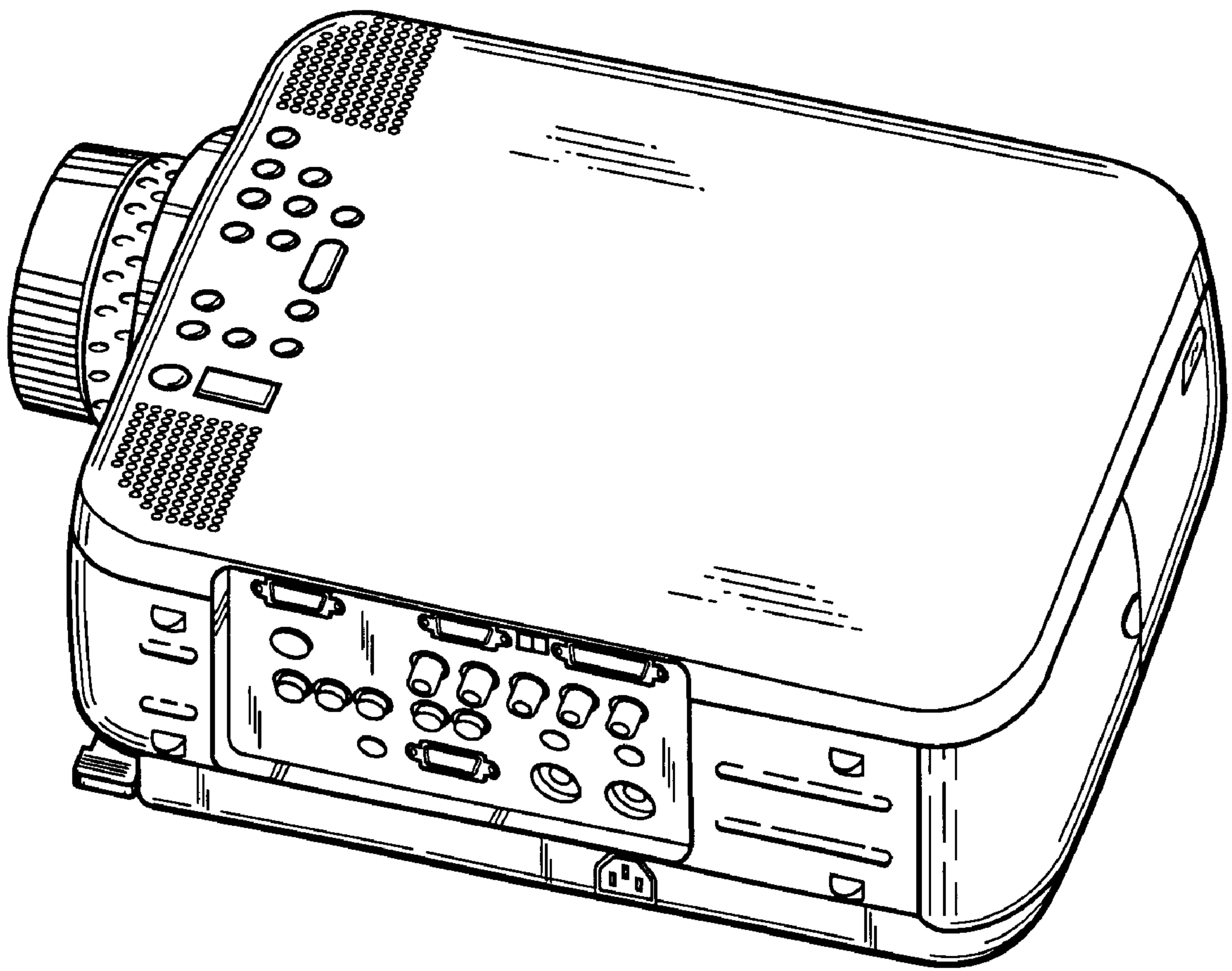


FIG. 7