



US00D450335B1

(12) **United States Design Patent**  
**Schelling et al.**

(10) **Patent No.:** **US D450,335 S**

(45) **Date of Patent:** **\*\* Nov. 13, 2001**

(54) **CAMERA WITH FRONT AND REAR LABELS**

(75) Inventors: **Anna C. Schelling**, Rochester; **James G. Rydelek**, Henrietta; **Jeffrey A. Solomon**, Spencerport; **Walter A. Jakubowski**, Albion; **George A. Xanthos**; **Anthony F. DiGaetano**, both of Rochester; **Wayne R. Ingalls**, Henrietta, all of NY (US)

(73) Assignee: **Eastman Kodak Company**, Rochester, NY (US)

(\*\*) Term: **14 Years**

(21) Appl. No.: **29/126,362**

(22) Filed: **Jul. 11, 2000**

(51) **LOC (7) Cl.** ..... **16-01**

(52) **U.S. Cl.** ..... **D16/209; D16/218**

(58) **Field of Search** ..... **D16/200-205, D16/208, 209, 217, 218; 396/61, 535-541**

(56) **References Cited**

**U.S. PATENT DOCUMENTS**

D. 320,610	*	10/1991	Chan	.....	D16/209
D. 369,820	*	5/1996	Chapman et al.	.....	D16/209
D. 374,687	*	10/1996	Chapman et al.	.....	D16/219
D. 399,227	*	10/1998	Chapman et al.	.....	D16/209
5,774,747	*	6/1998	Ishihara et al.	.....	396/61

\* cited by examiner

*Primary Examiner*—Adir Aronovich

(74) *Attorney, Agent, or Firm*—Roger A. Fields

(57) **CLAIM**

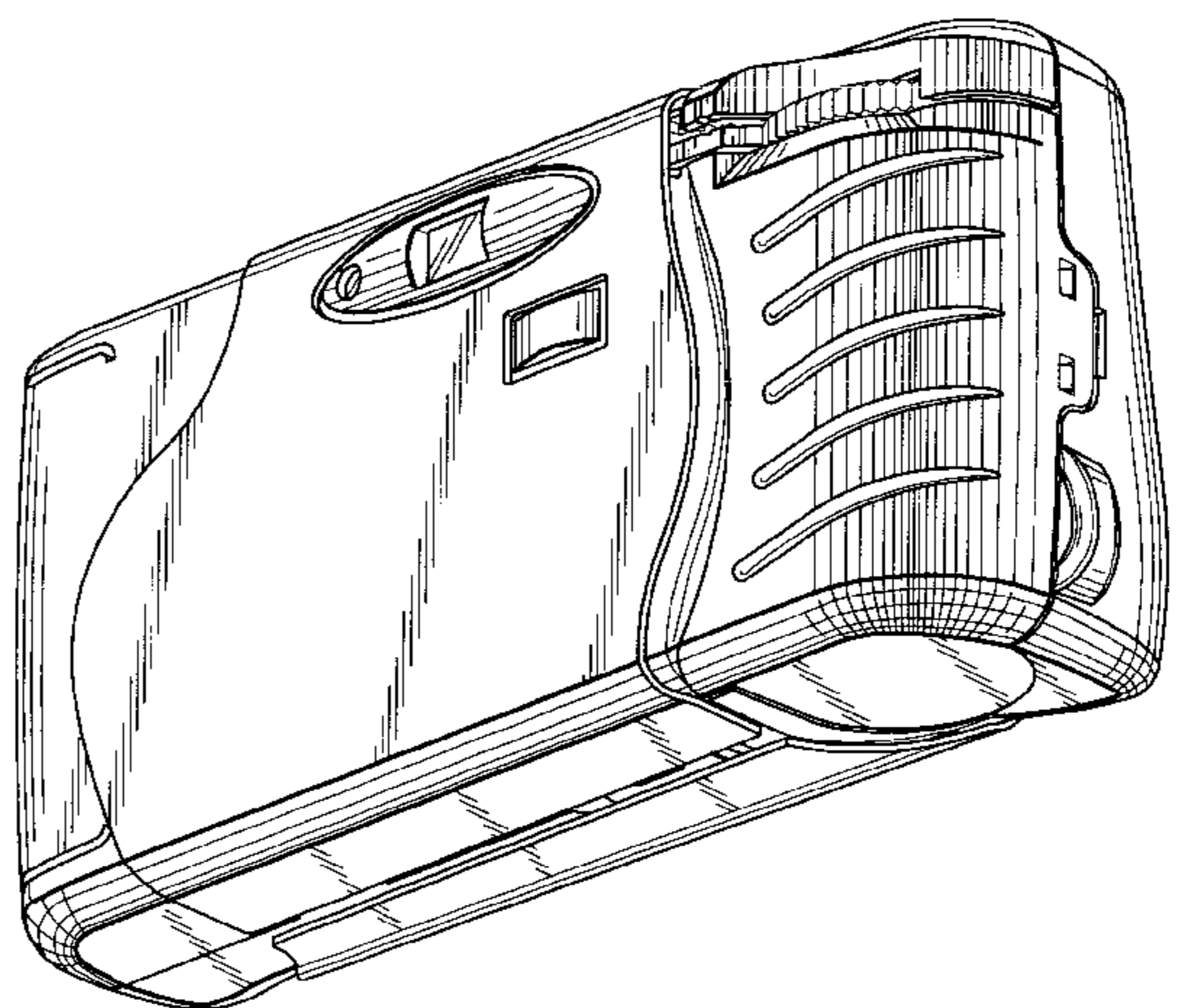
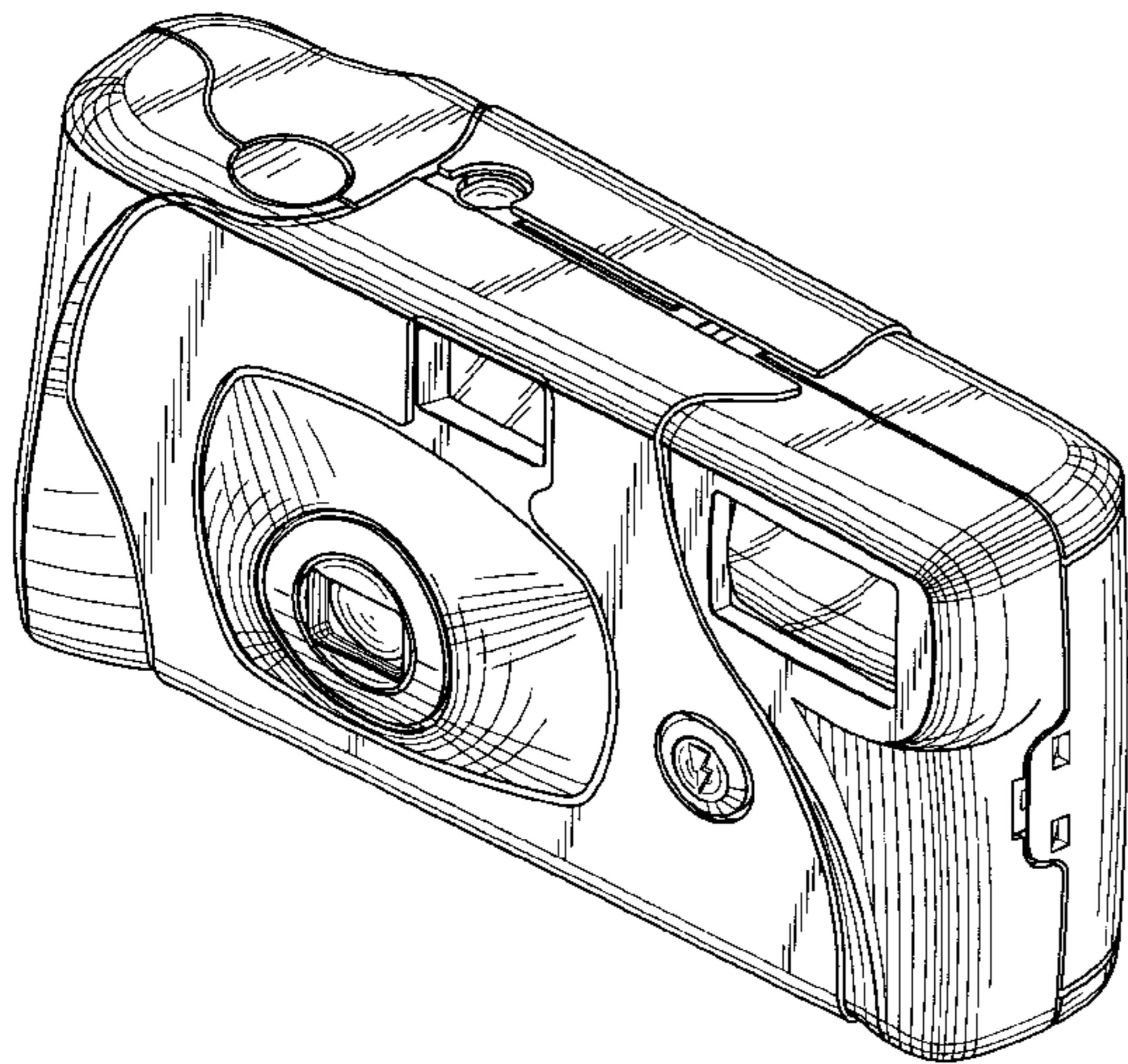
The ornamental design for a camera with front and rear labels, as shown and described.

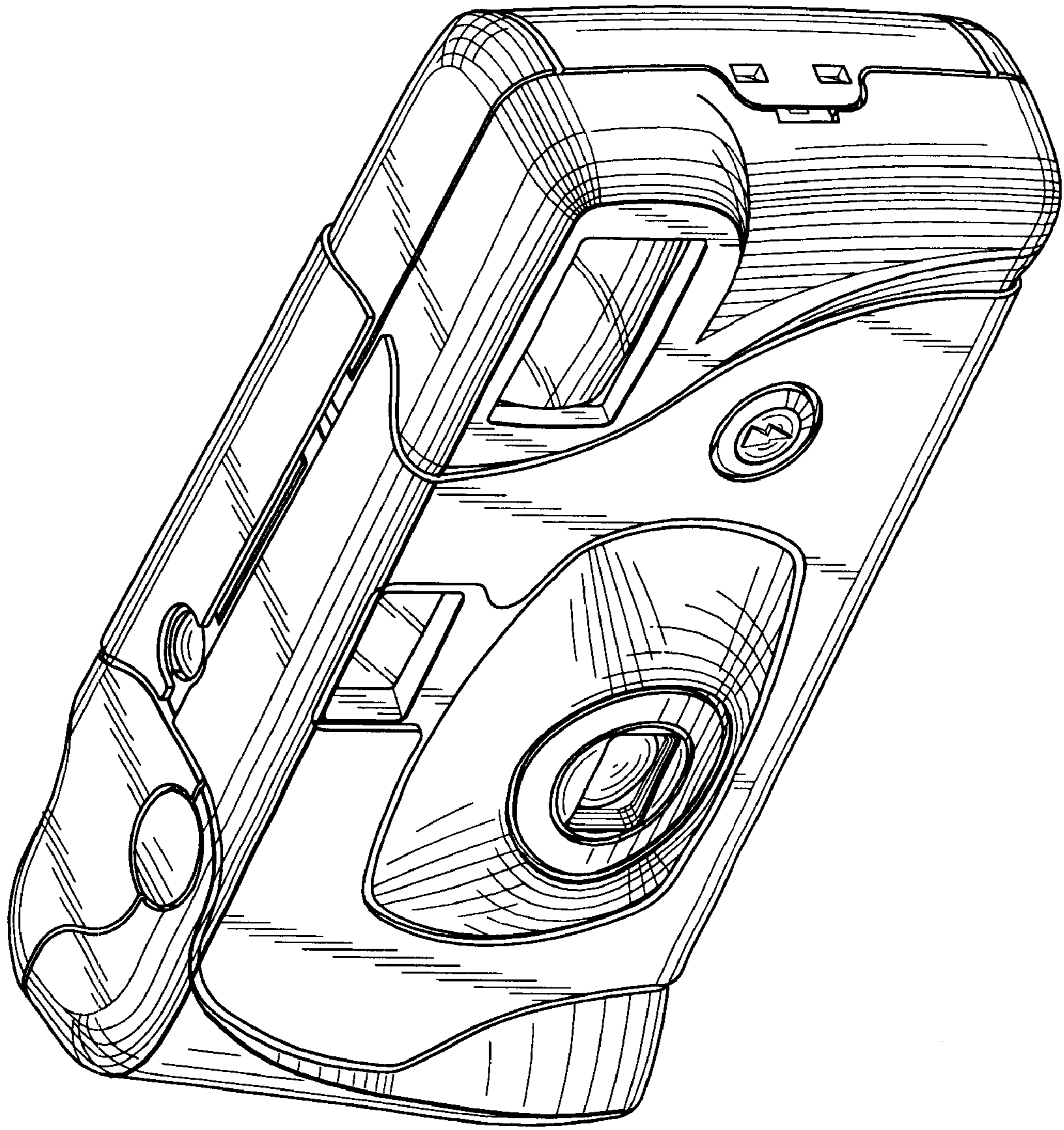
**DESCRIPTION**

Reference is made to commonly assigned copending applications Ser. No. 29/126,205, entitled Front Label for Camera, filed in the names of Anna C. Schelling, Wayne R. Ingalls, James G. Rydelek, and Anthony F. DiGaetano; Ser. No. 29/126,206, entitled Rear Label for Camera, filed in the name of Anna C. Schelling, Wayne R. Ingalls, James G. Rydelek, and Anthony F. DiGaetano; and Ser. No. 29/126,191, entitled Camera, filed in the names of Anna C. Schelling, James G. Rydelek, Jeffrey A. Solomon, Walter A. Jakubowski and George A. Xanthos.

FIG. 1 is a front, top, right-side, perspective view of a camera with front and rear labels, showing our new design; FIG. 2 is a rear, bottom, left-side, perspective view thereof; FIG. 3 is a front elevation view thereof; FIG. 4 is a rear elevation view thereof; FIG. 5 is a top plan view thereof; FIG. 6 is a bottom plan view thereof; FIG. 7 is a right-side elevation view thereof; and, FIG. 8 is a left-side elevation view thereof.

**1 Claim, 8 Drawing Sheets**





**FIG. 1**



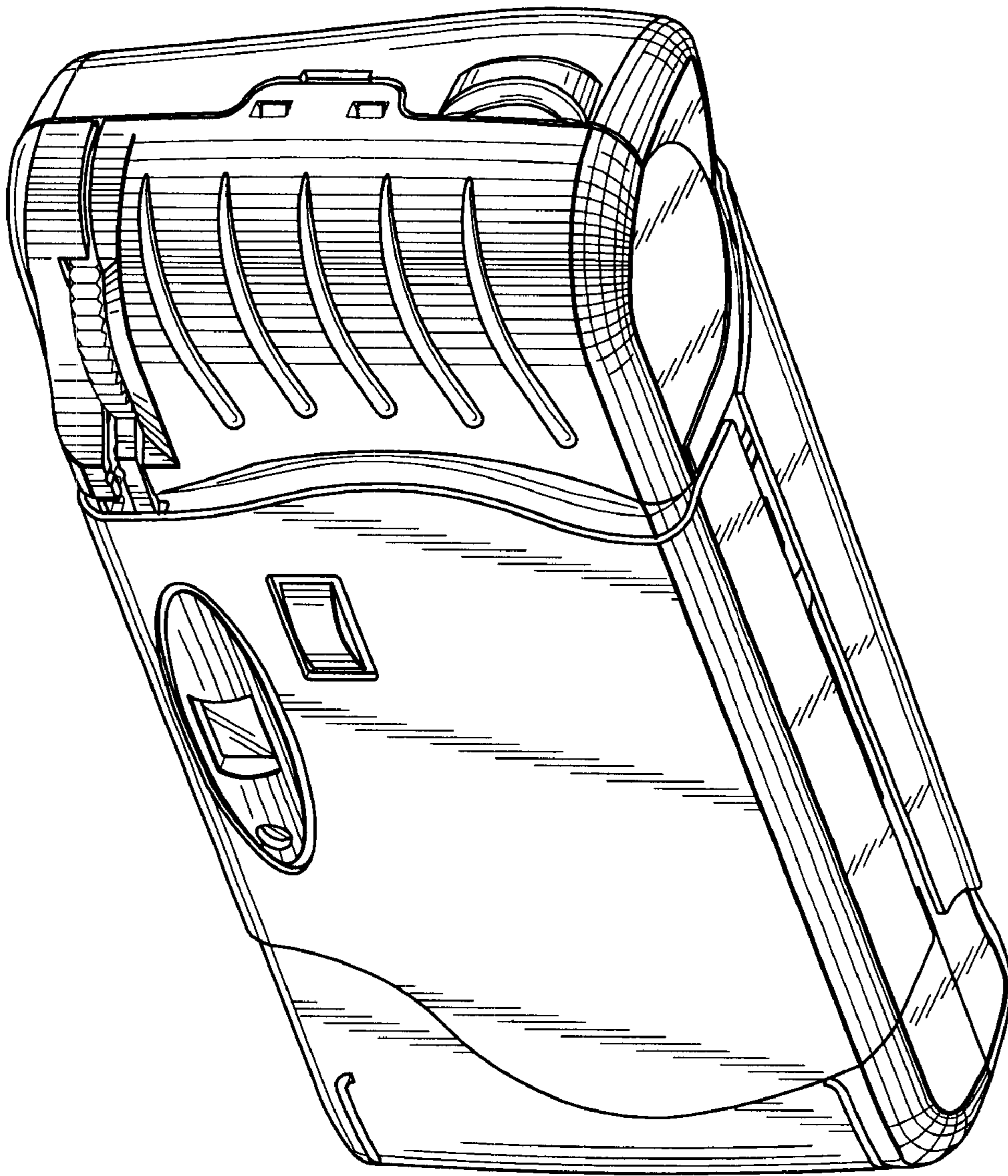
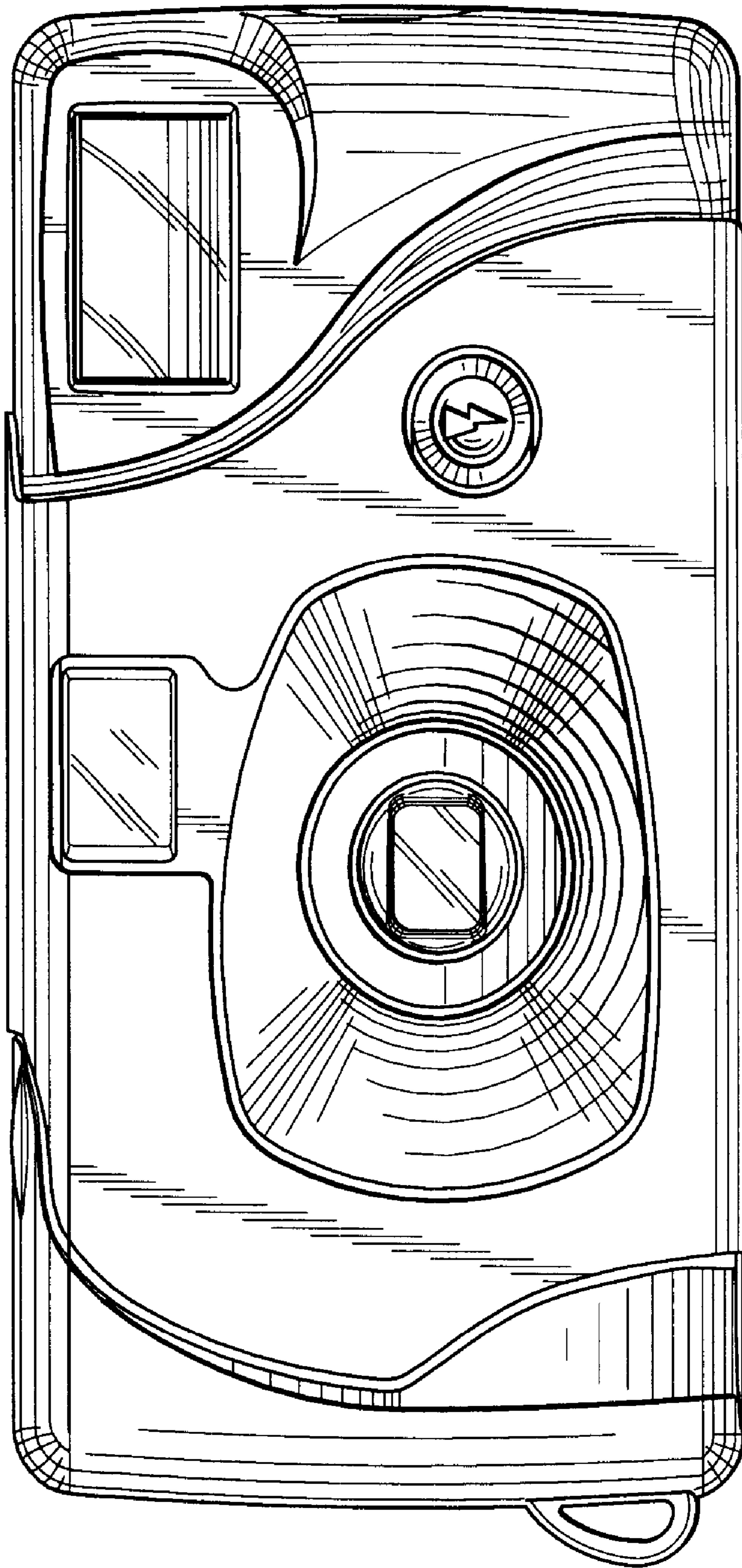
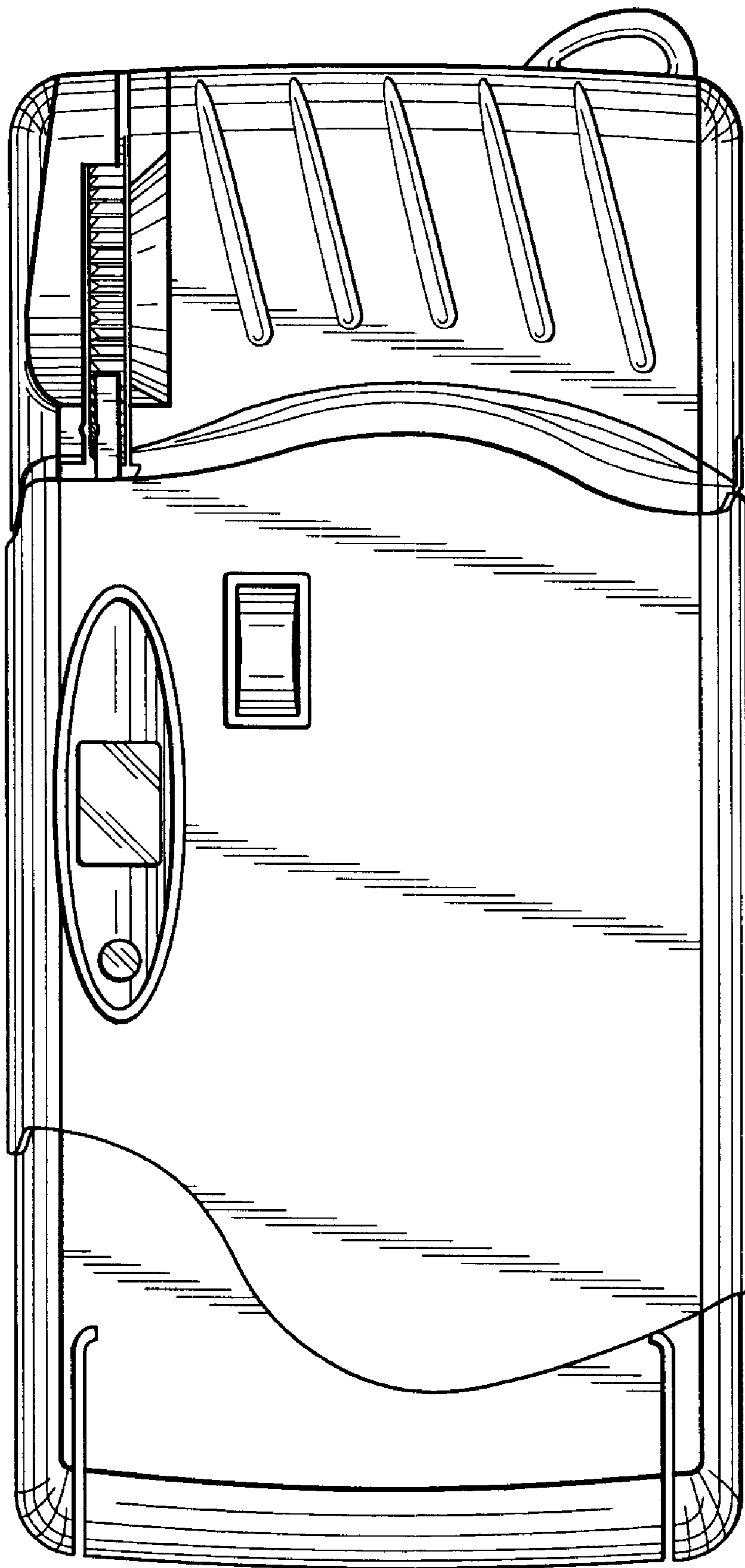


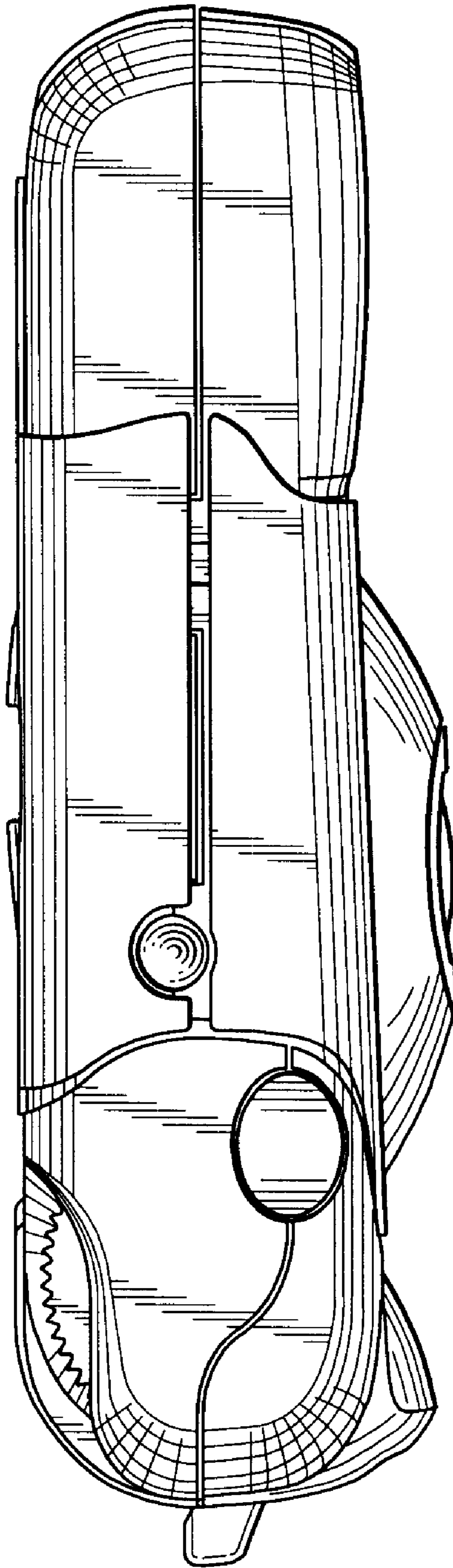
FIG. 2



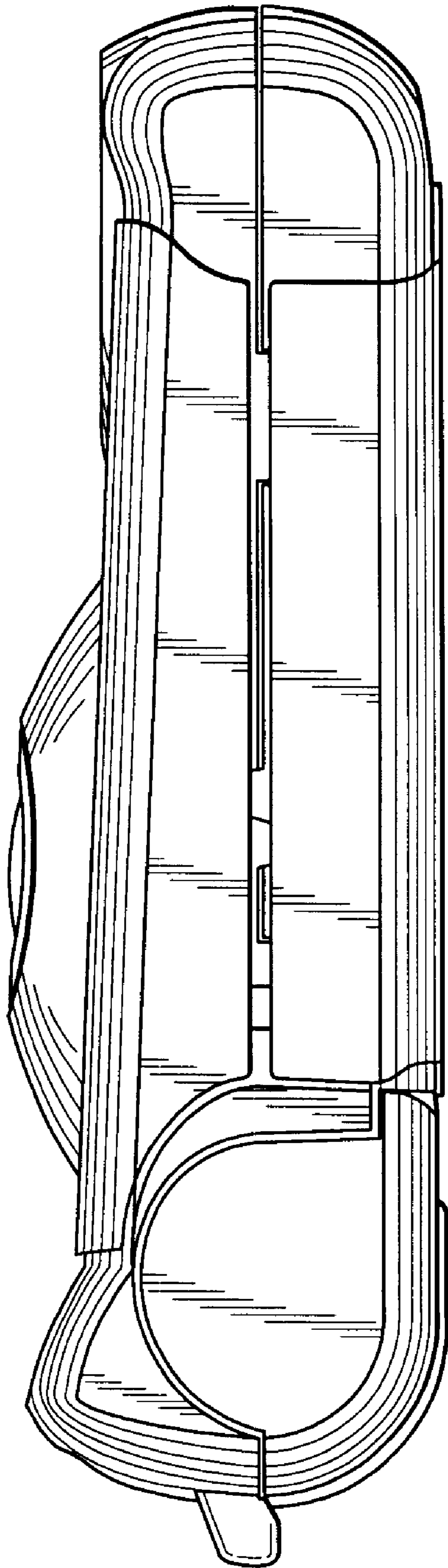
**FIG. 3**



**FIG. 4**



**FIG. 5**



**FIG. 6**



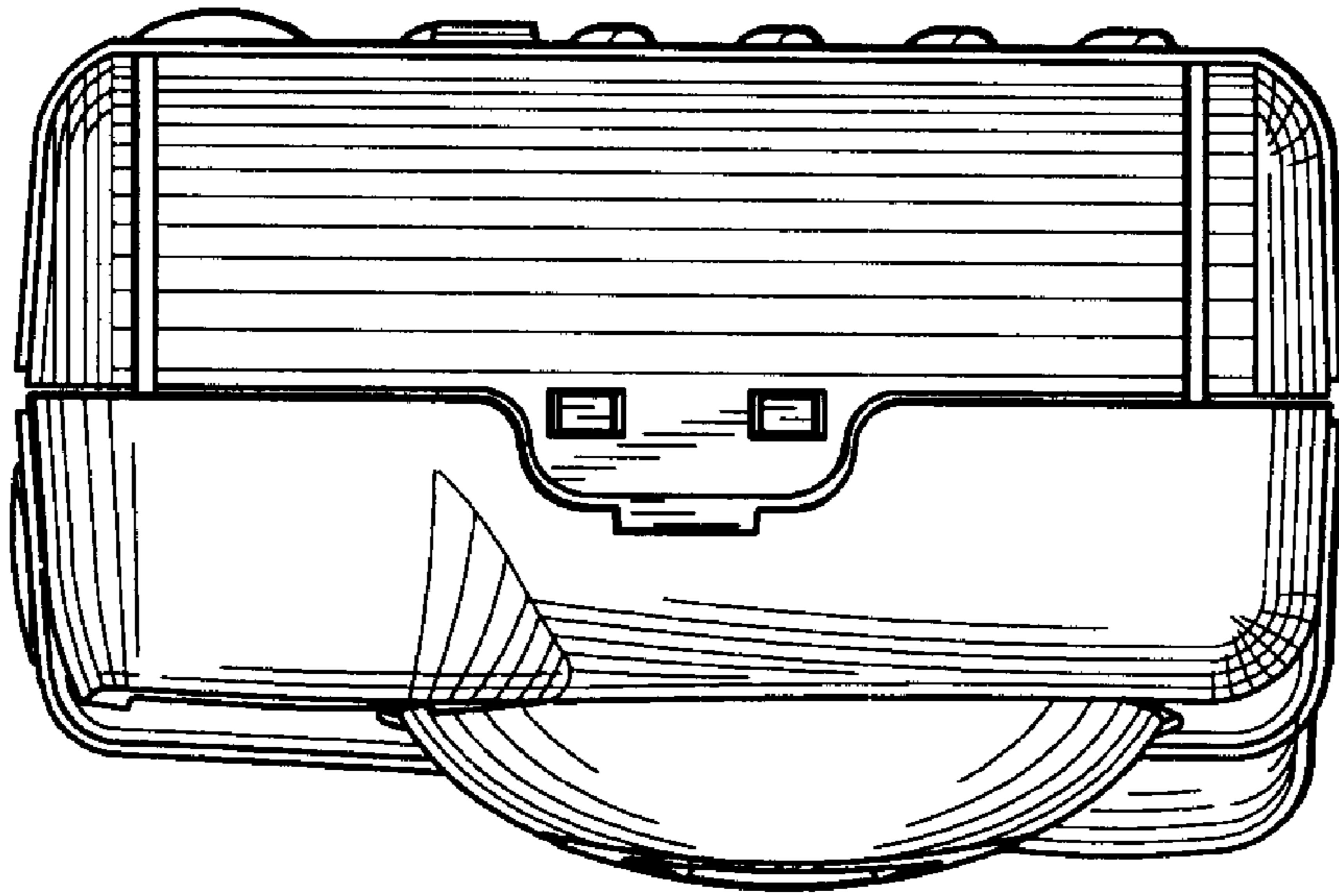
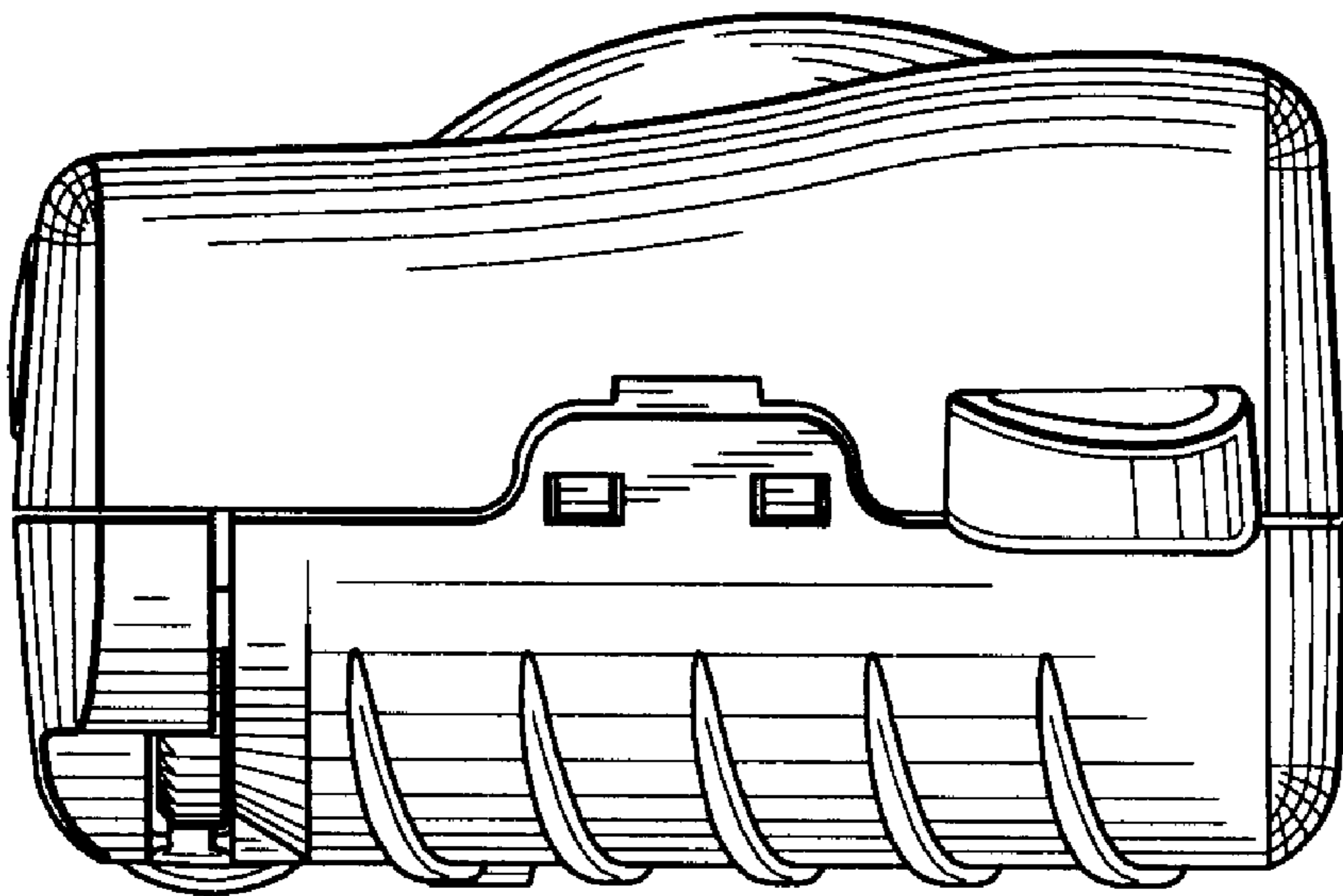


FIG. 7





**FIG. 8**