



US00D450333B1

(12) **United States Design Patent**
Miller

(10) **Patent No.:** **US D450,333 S**

(45) **Date of Patent:** **** Nov. 13, 2001**

(54) **LATHE**

(75) **Inventor:** **David Miller**, Jackson, TN (US)

(73) **Assignee:** **Delta International Machinery Corp.**,
Jackson, TN (US)

(**) **Term:** **14 Years**

(21) **Appl. No.:** **29/135,719**

(22) **Filed:** **Jan. 18, 2001**

(51) **LOC (7) Cl.** **15-09**

(52) **U.S. Cl.** **D15/130**

(58) **Field of Search** D15/130-141;
82/112-121, 128, 132, 142, 143, 149, 162,
903; 144/16, 114; 142/7

(56) **References Cited**

U.S. PATENT DOCUMENTS

- | | | | |
|------------|----------|----------------------|---------|
| D. 338,475 | 8/1993 | Wilson et al. . | |
| D. 430,581 | * 9/2000 | Campbell et al. | D15/130 |
| 4,278,413 | 7/1981 | Hilt . | |

- | | | |
|-----------|---------|-------------------|
| 4,381,023 | 4/1983 | Fronczak et al. . |
| 4,779,857 | 10/1988 | Maund . |
| 5,186,088 | 2/1993 | Wixev . |
| 5,617,768 | 4/1997 | Palazzolo . |
| 5,785,293 | 7/1998 | Ford et al. . |

* cited by examiner

Primary Examiner—Antoine Duval Davis

(74) *Attorney, Agent, or Firm*—Kirkpatrick & Lockhart
LLP

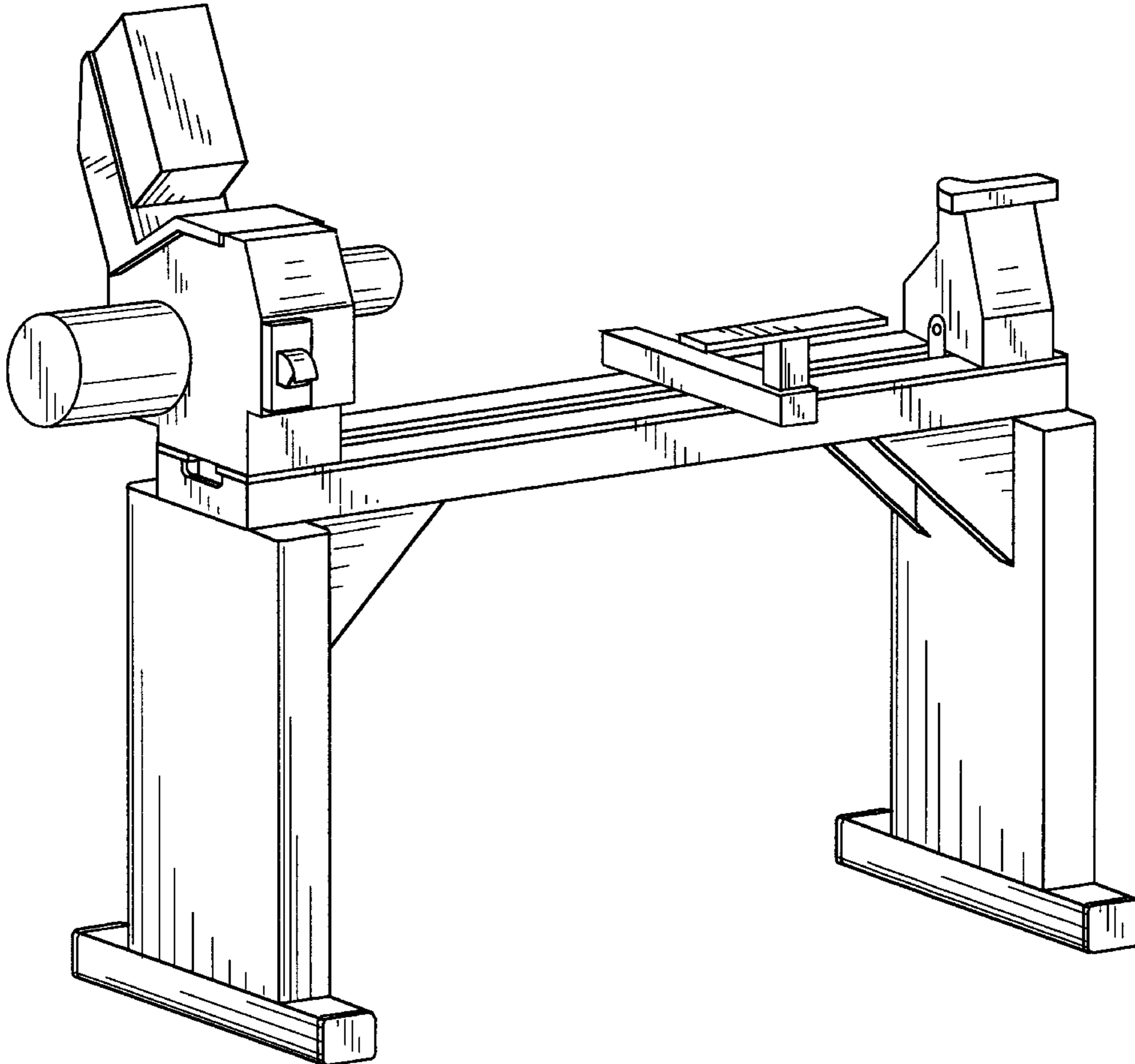
(57) **CLAIM**

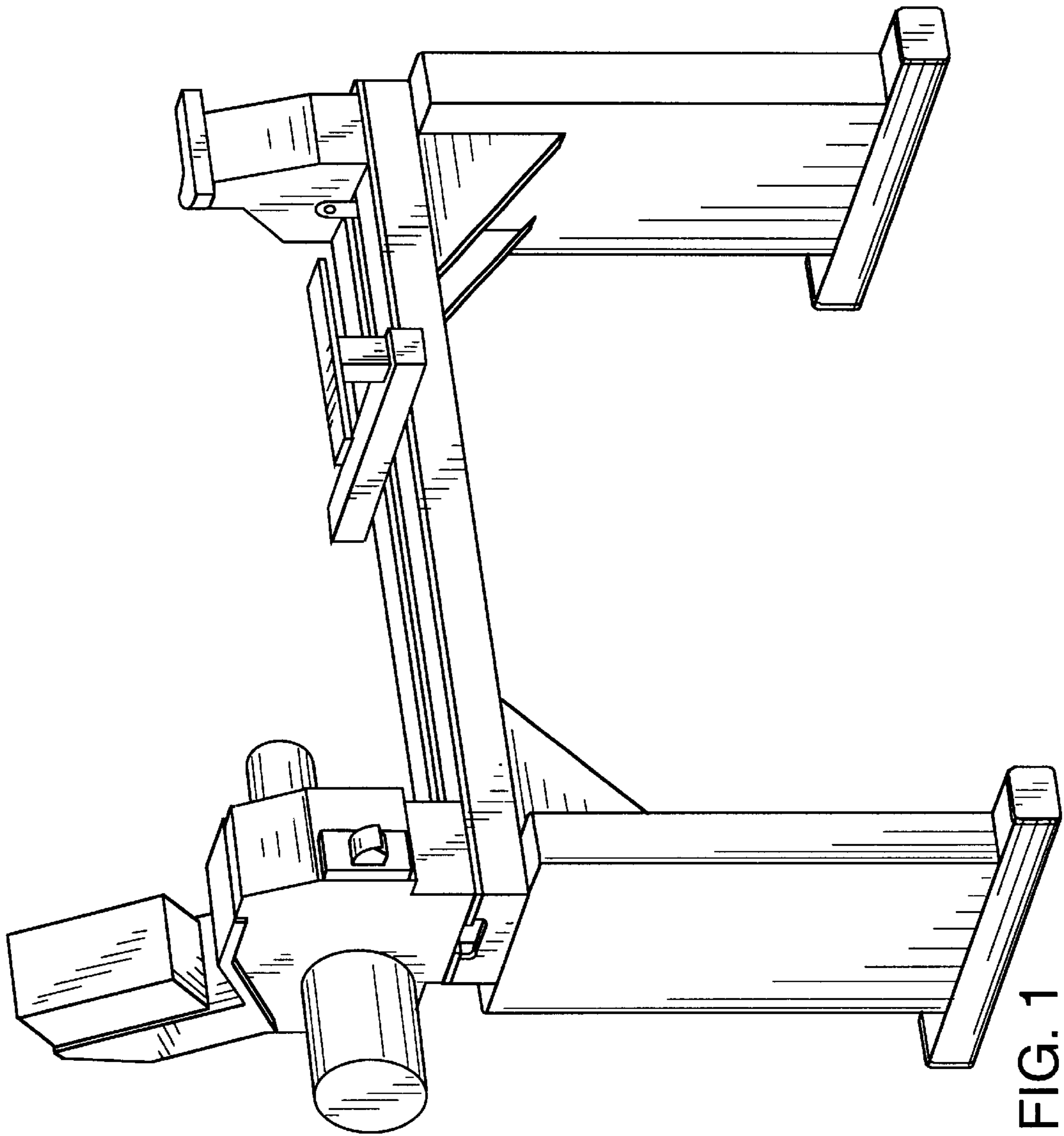
The ornamental design for a lathe, as shown and described.

DESCRIPTION

FIG. 1 is front isometric view of a lathe;
FIG. 2 is a rear view of the design shown in FIG. 1;
FIG. 3 is a top view of the design shown in FIG. 1;
FIG. 4 is a bottom view of the design shown in FIG. 1;
FIG. 5 is a left side view of the design shown in FIG. 1; and,
FIG. 6 is a right side view of the design shown in FIG. 1.

1 Claim, 4 Drawing Sheets





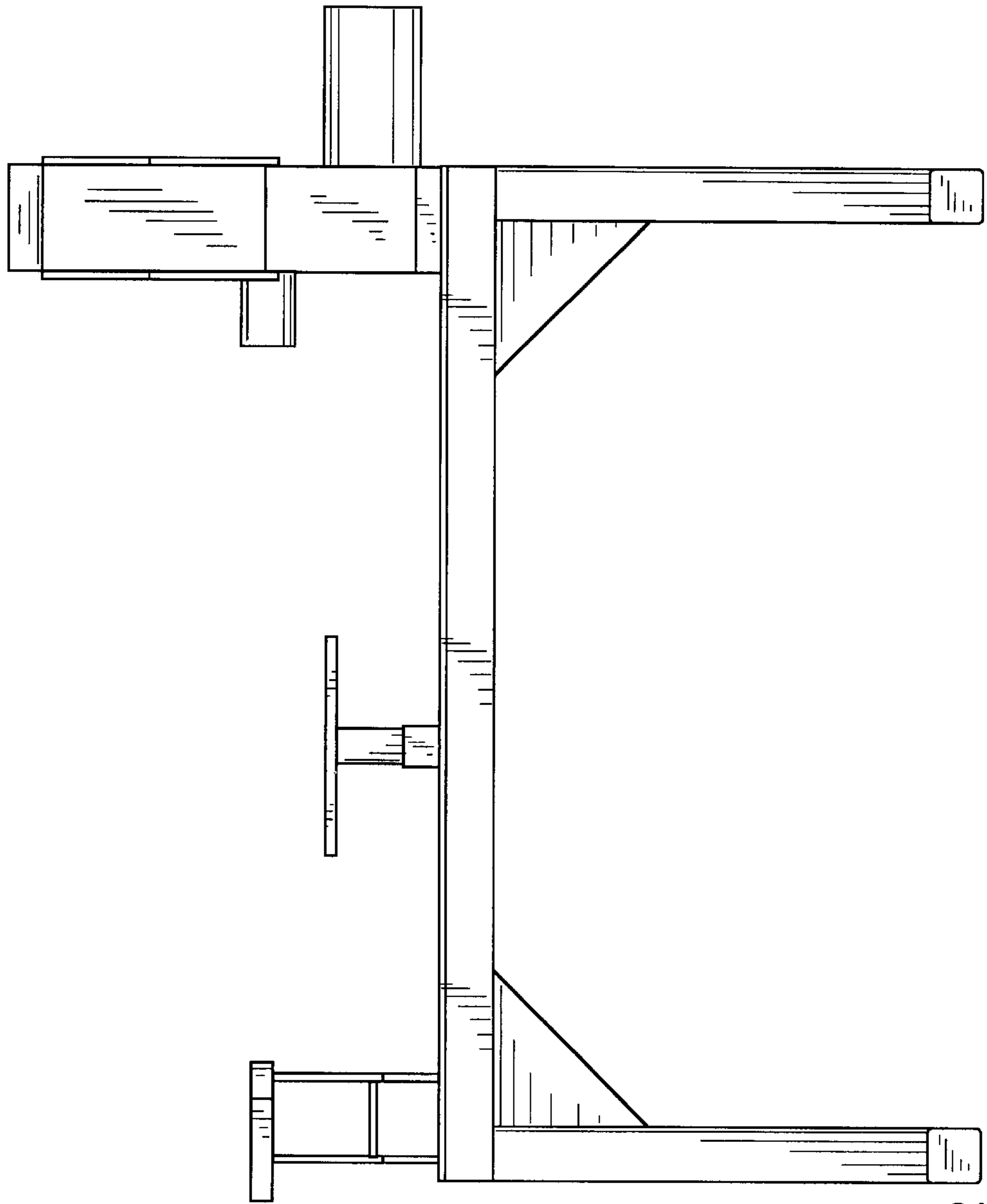


FIG. 2

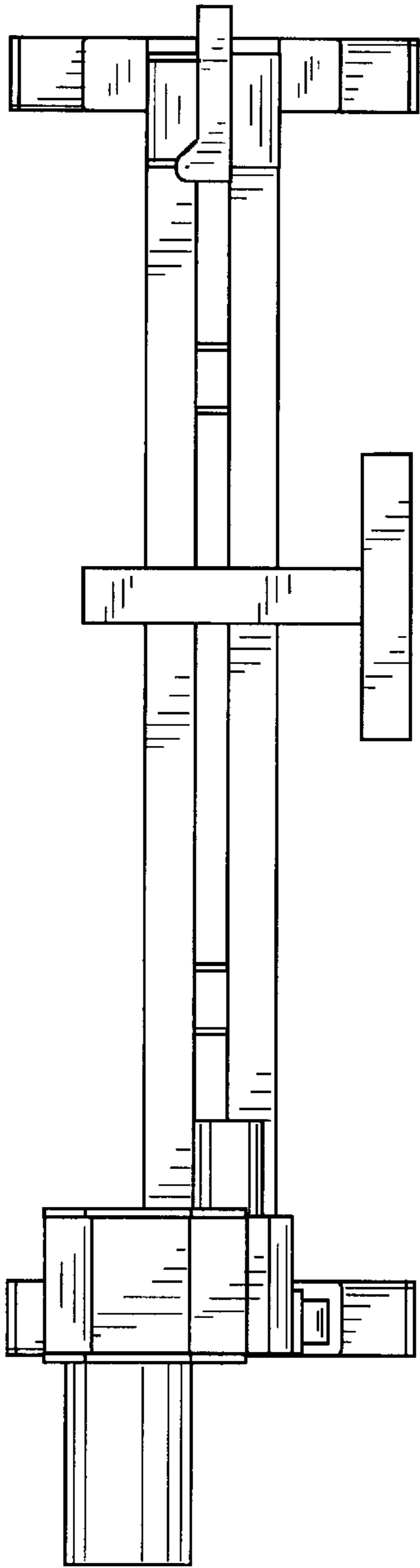


FIG. 3

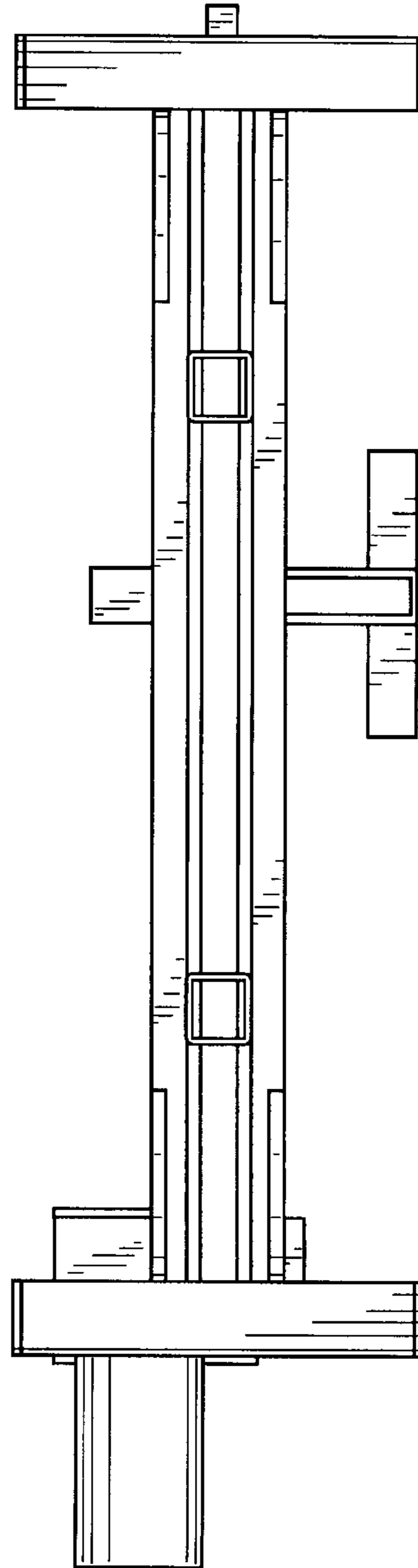


FIG. 4

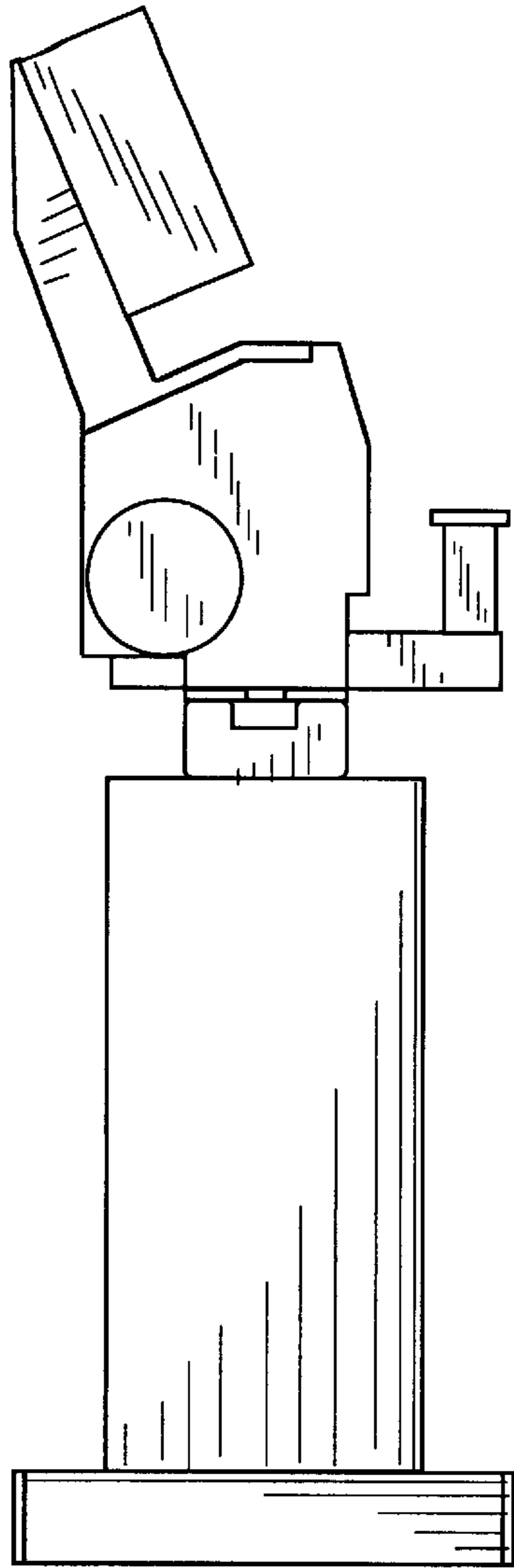


FIG. 5

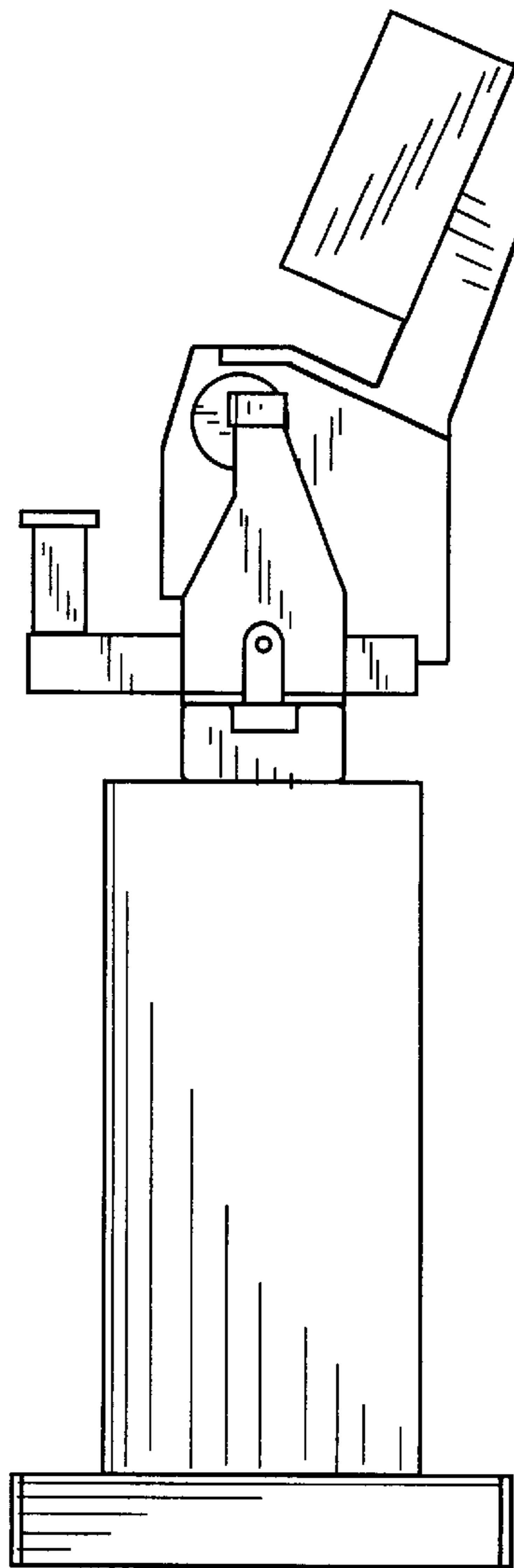


FIG. 6