



US00D450329B1

(12) **United States Design Patent**  
**Kanou et al.**

(10) **Patent No.:** **US D450,329 S**

(45) **Date of Patent:** **\*\* Nov. 13, 2001**

(54) **PISTONS FOR A REFRIGERANT COMPRESSOR**

(75) Inventors: **Hiroshi Kanou**, Takasaki; **Yuujiro Morita**, Honjou, both of (JP)

(73) Assignee: **Sanden Corporation**, Gunma (JP)

(\*\*) Term: **14 Years**

(21) Appl. No.: **29/125,167**

(22) Filed: **Jun. 20, 2000**

(51) **LOC (7) Cl.** ..... **15-02**

(52) **U.S. Cl.** ..... **D15/9**

(58) **Field of Search** ..... D15/5-9; 417/545,  
417/222.1, 269, 266, 273; 91/505; 92/71,  
12.2, 165 R; 74/60

(56) **References Cited**

**U.S. PATENT DOCUMENTS**

D. 402,295	*	12/1998	Kayukawa et al. ....	D15/9
D. 417,225	*	11/1999	Kimura et al. ....	D15/5
D. 417,876	*	12/1999	Kayukawa et al. ....	D15/9
D. 427,611	*	7/2000	Yokota et al. ....	D15/9
D. 428,423	*	7/2000	Takamatsu et al. ....	D15/9
D. 435,563	*	12/2000	Muraro et al. ....	D15/9

\* cited by examiner

*Primary Examiner*—Ralf Seifert

(74) *Attorney, Agent, or Firm*—Baker Botts L.L.P.

(57) **CLAIM**

The ornamental design for a piston for a refrigerant compressor, as shown and described above.

**DESCRIPTION**

FIG. 1 is a left side view of a piston for a refrigerant compressor, according to the design. The right side view is a mirror image of the left side view.

FIG. 2 is a front view of the piston for a refrigerant compressor, as shown in FIG. 1.

FIG. 3 is a top view of the piston for a refrigerant compressor, as shown in FIG. 1.

FIG. 4 is a bottom view of the piston for a refrigerant compressor, as shown in FIG. 1.

FIG. 5 is a rear view of the piston for a refrigerant compressor, as shown in FIG. 1.

FIG. 6 is a cross-sectional view of a refrigerant compressor taken along the line 6—6 of FIG. 1;

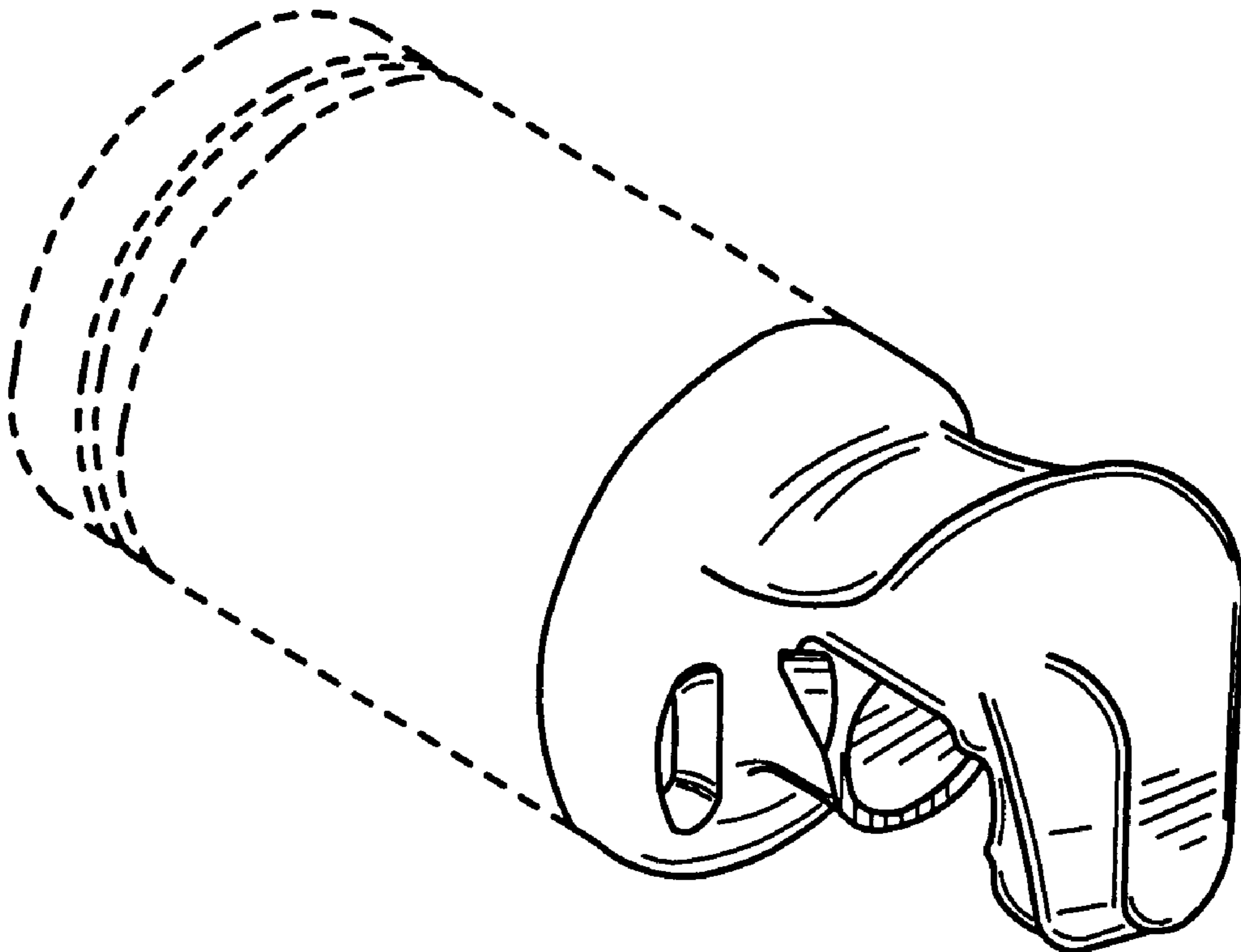
FIG. 7 is a cross-sectional view of the refrigerant compressor taken along the line 7—7 of FIG. 1;

FIG. 8 is a cross-sectional view of the refrigerant compressor taken along the line 8—8 of FIG. 1; and,

FIG. 9 is a rear perspective view of the piston for a refrigerant compressor of FIG. 1.

The broken line immediately next to the structure line represents the bounds of the design. All other broken line matter represents environment. None of the broken lines form any part of the claimed design.

**1 Claim, 3 Drawing Sheets**



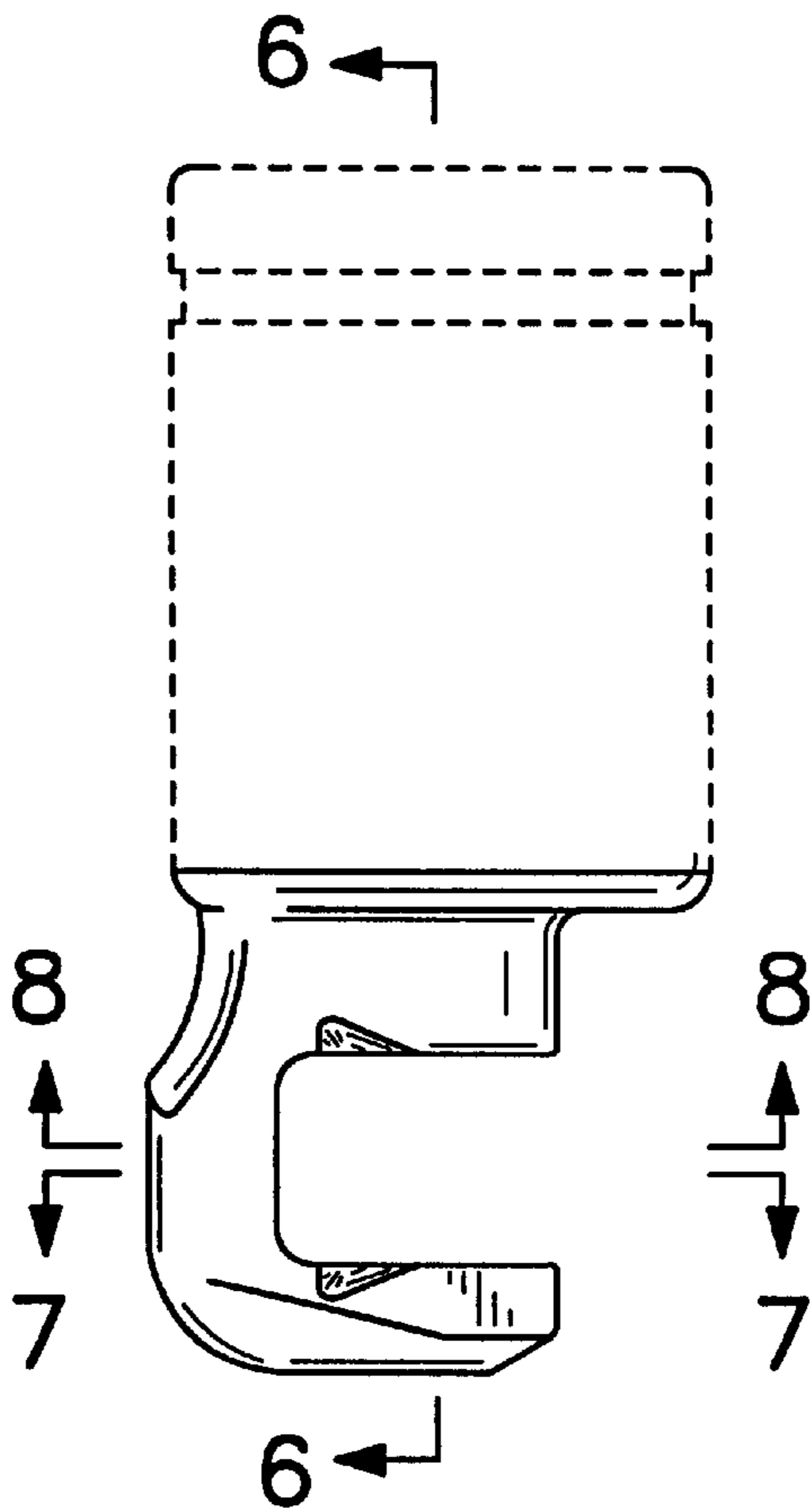


FIG. 1

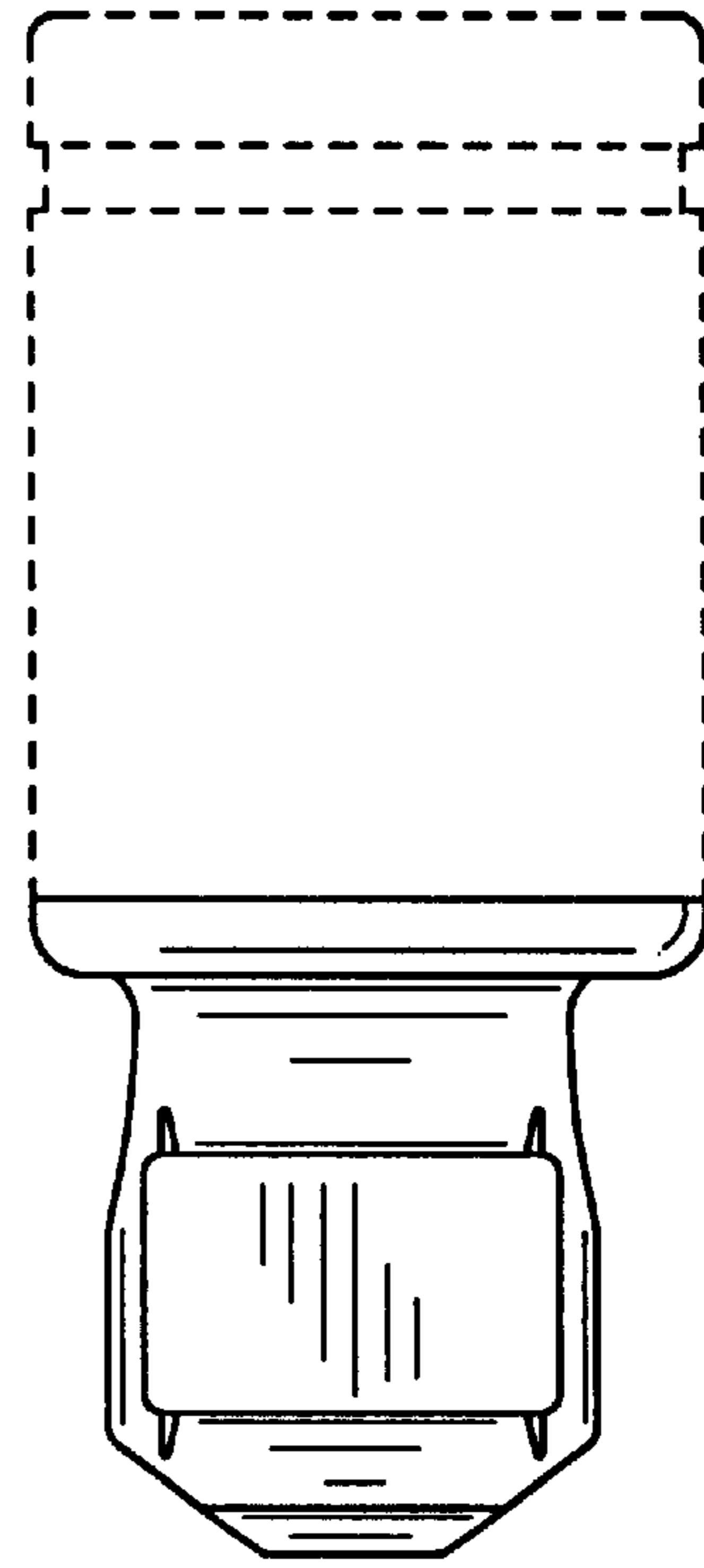


FIG. 2

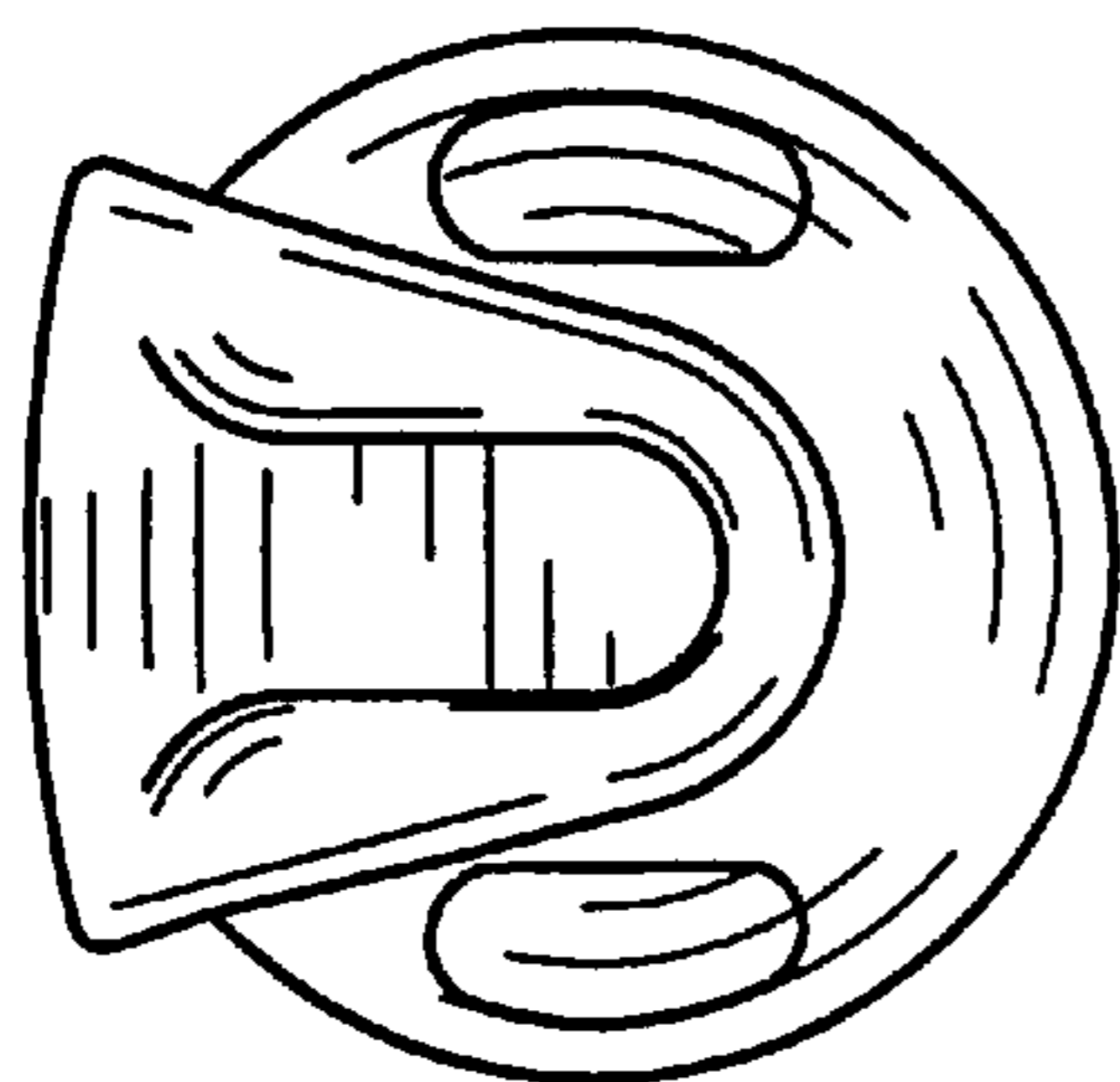


FIG. 3

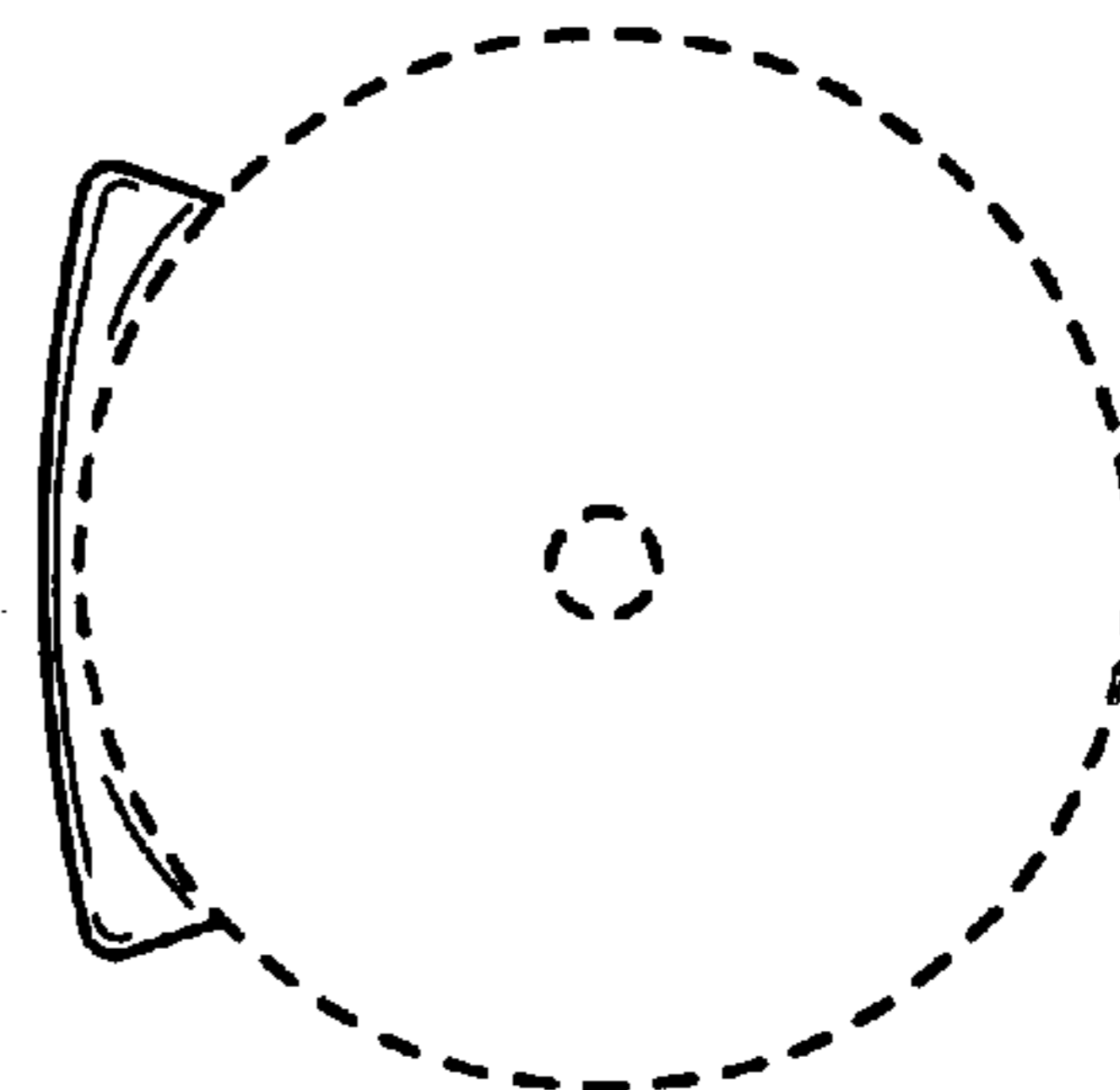


FIG. 4

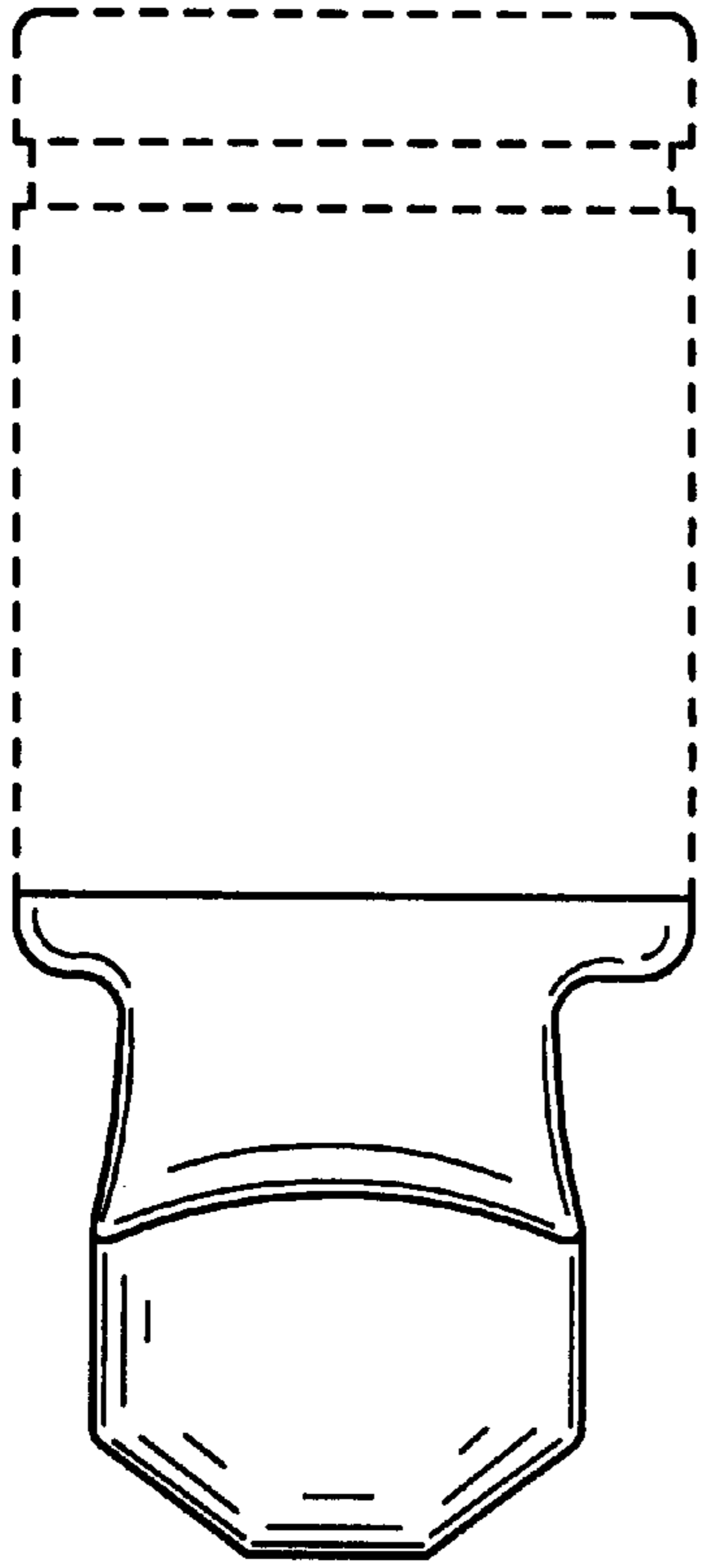


FIG. 5

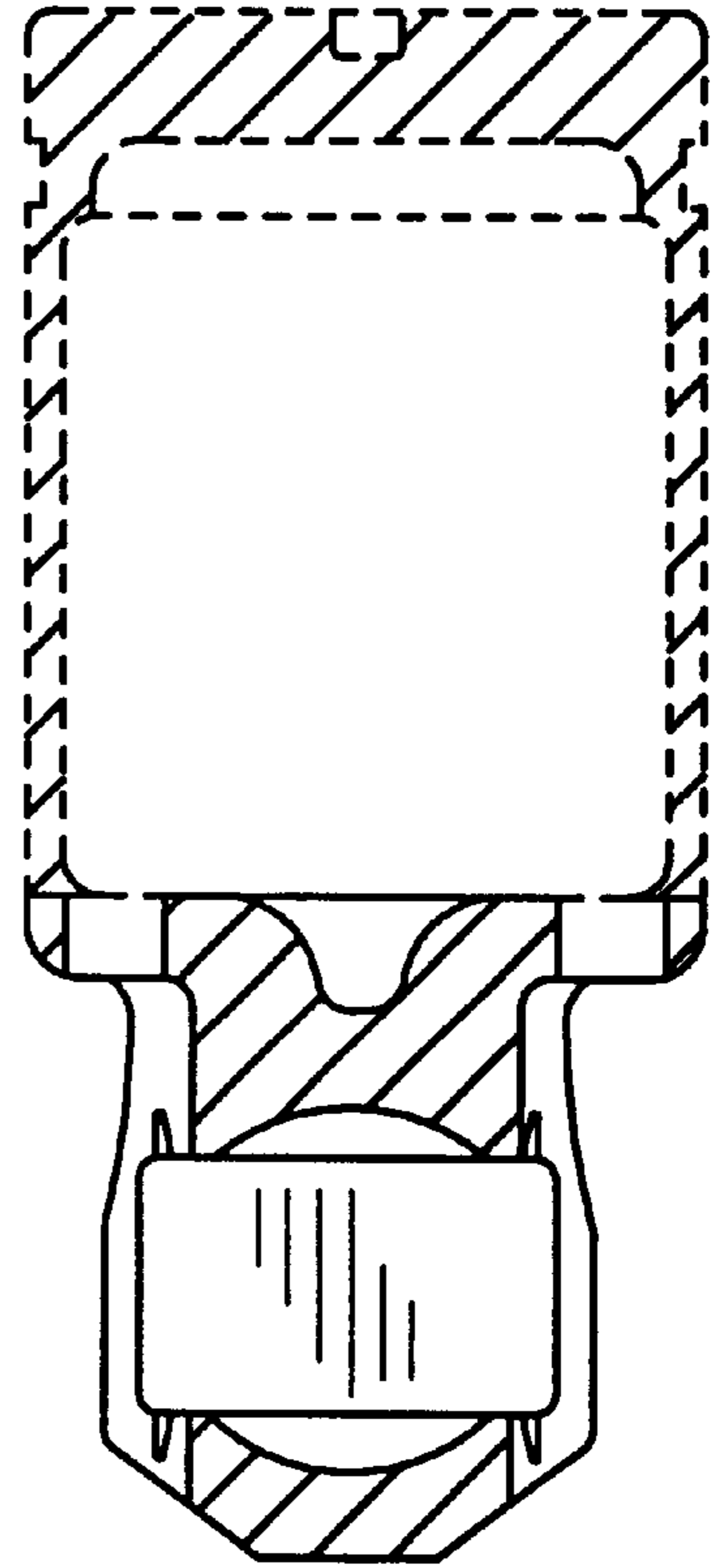


FIG. 6

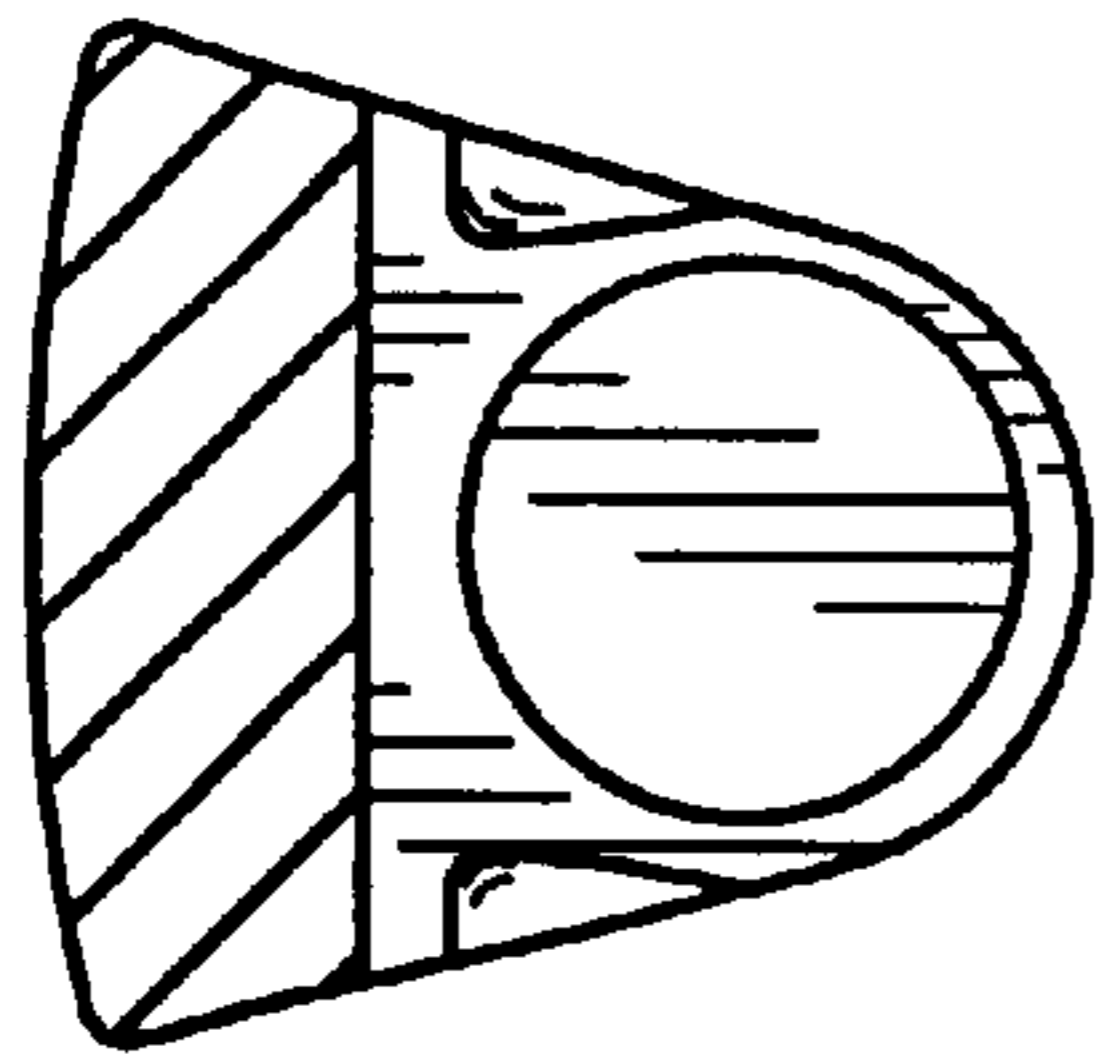


FIG. 7

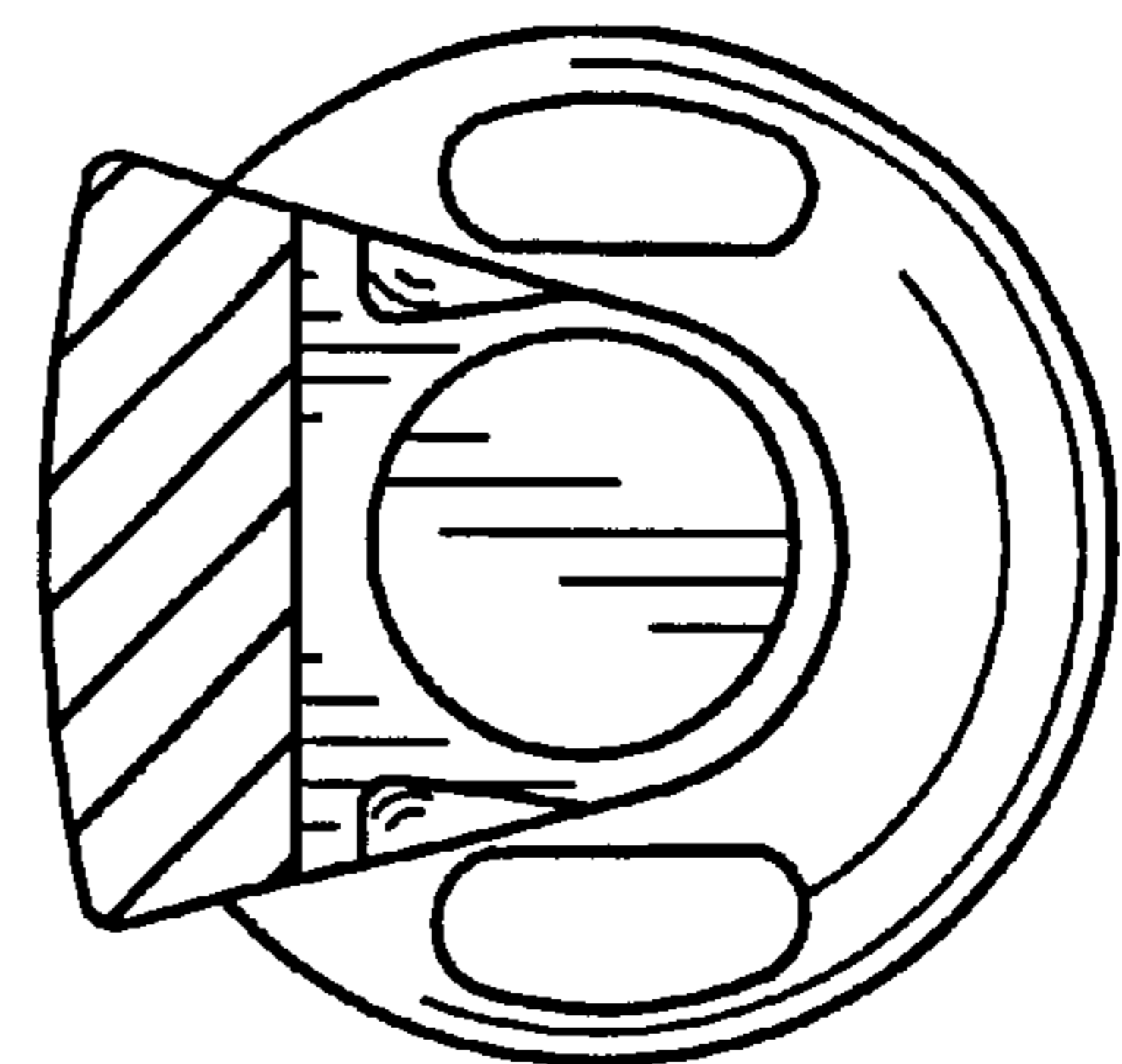
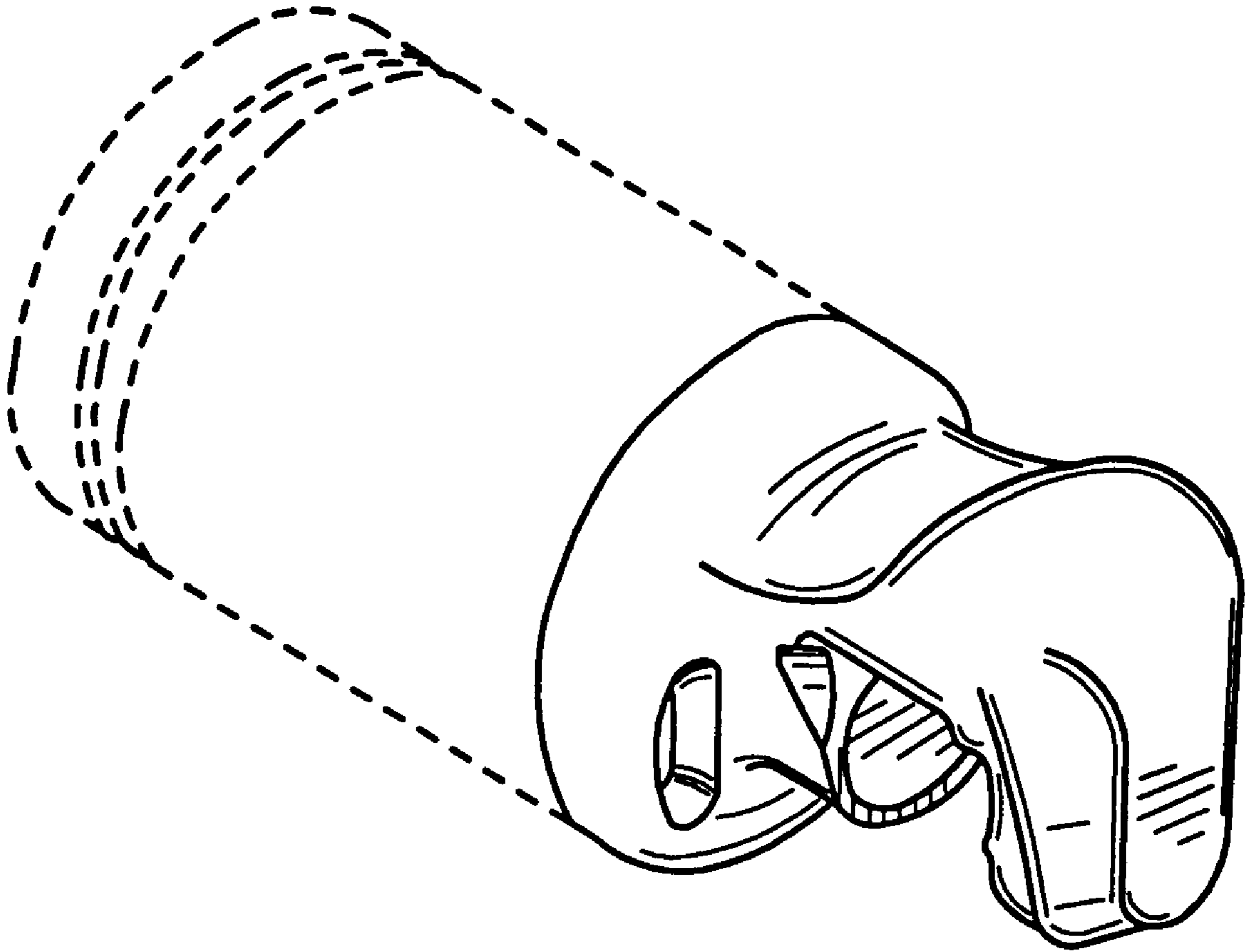


FIG. 8



**FIG. 9**