



US00D450327B1

(12) **United States Design Patent**
Mori et al.

(10) **Patent No.:** **US D450,327 S**

(45) **Date of Patent:** **** Nov. 13, 2001**

(54) **PUMP**

(75) Inventors: **Yoji Mori; Toru Ebihara; Takanobu Uchiyama**, all of Tokyo (JP)

(73) Assignee: **World Chemical Co., Ltd.** (JP)

(**) Term: **14 Years**

(21) Appl. No.: **29/122,570**

(22) Filed: **Apr. 28, 2000**

(30) **Foreign Application Priority Data**

Nov. 4, 1999 (JP) 11-30512

(51) **LOC (7) Cl.** **15-02**

(52) **U.S. Cl.** **D15/7**

(58) **Field of Search** D15/7-9.1; 417/423.1,
417/234, 572, 63, 403, 54, 360, 223.15,
224.1, 904, 68-69; 401/146, 197, 203-204,
218-219, 207; D23/200

(56) **References Cited**

U.S. PATENT DOCUMENTS

D. 202,145	*	8/1965	Schroeder	D15/7
D. 285,447	*	9/1986	Dudeck et al.	D15/7
D. 299,143	*	12/1988	Hazlehurst	D15/7
D. 327,075	*	6/1992	Tiedemann	D15/7
D. 339,810	*	9/1993	Hansen	D15/7
D. 372,719	*	8/1996	Jensen	D15/7

* cited by examiner

Primary Examiner—Ralf Seifert

(74) *Attorney, Agent, or Firm*—Lerner, David, Littenberg, Krumholz & Mentlik, LLP

(57) **CLAIM**

The ornamental design for a pump, as shown and described.

DESCRIPTION

FIG. 1 is a front, elevational view of a design of a pump in accordance with the present invention;

FIG. 2 is a rear, elevational view of the design of a pump shown in FIG. 1;

FIG. 3 is a top, elevational view of the design of a pump shown in FIG. 1;

FIG. 4 is a bottom, elevational view of the design of a pump shown in FIG. 1;

FIG. 5 is a left-side, elevational view of the design of a pump shown in FIG. 1;

FIG. 6 is a right-side, elevational view of the design of a pump shown in FIG. 1;

FIG. 7 is a front, perspective view of the design of a pump shown in FIG. 1; and,

FIG. 8 is a front, perspective view of the design of a pump shown in FIG. 1 with reference to its use.

It being understood that the broken lines are for illustrative purposes only.

1 Claim, 8 Drawing Sheets

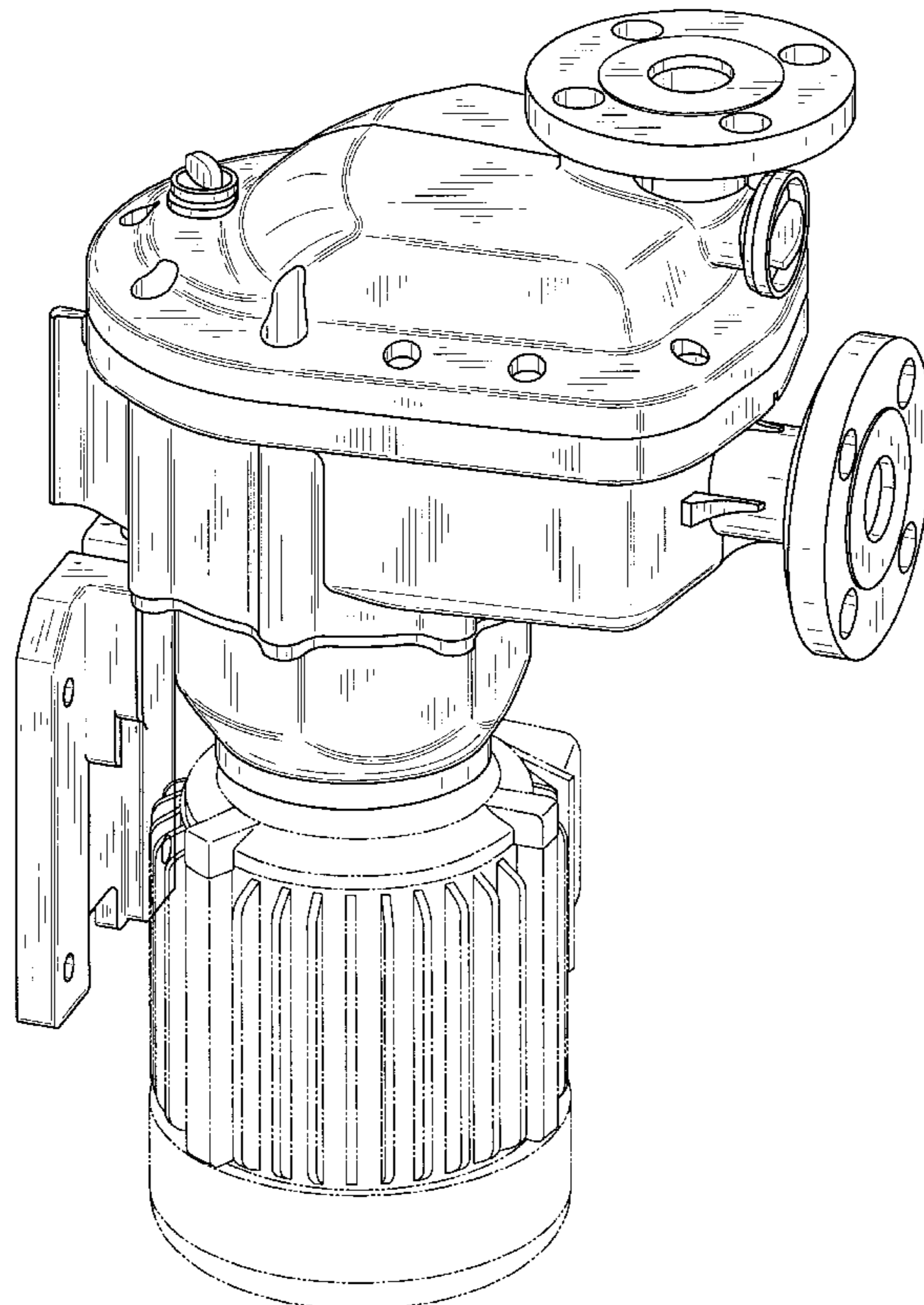


FIG. 1

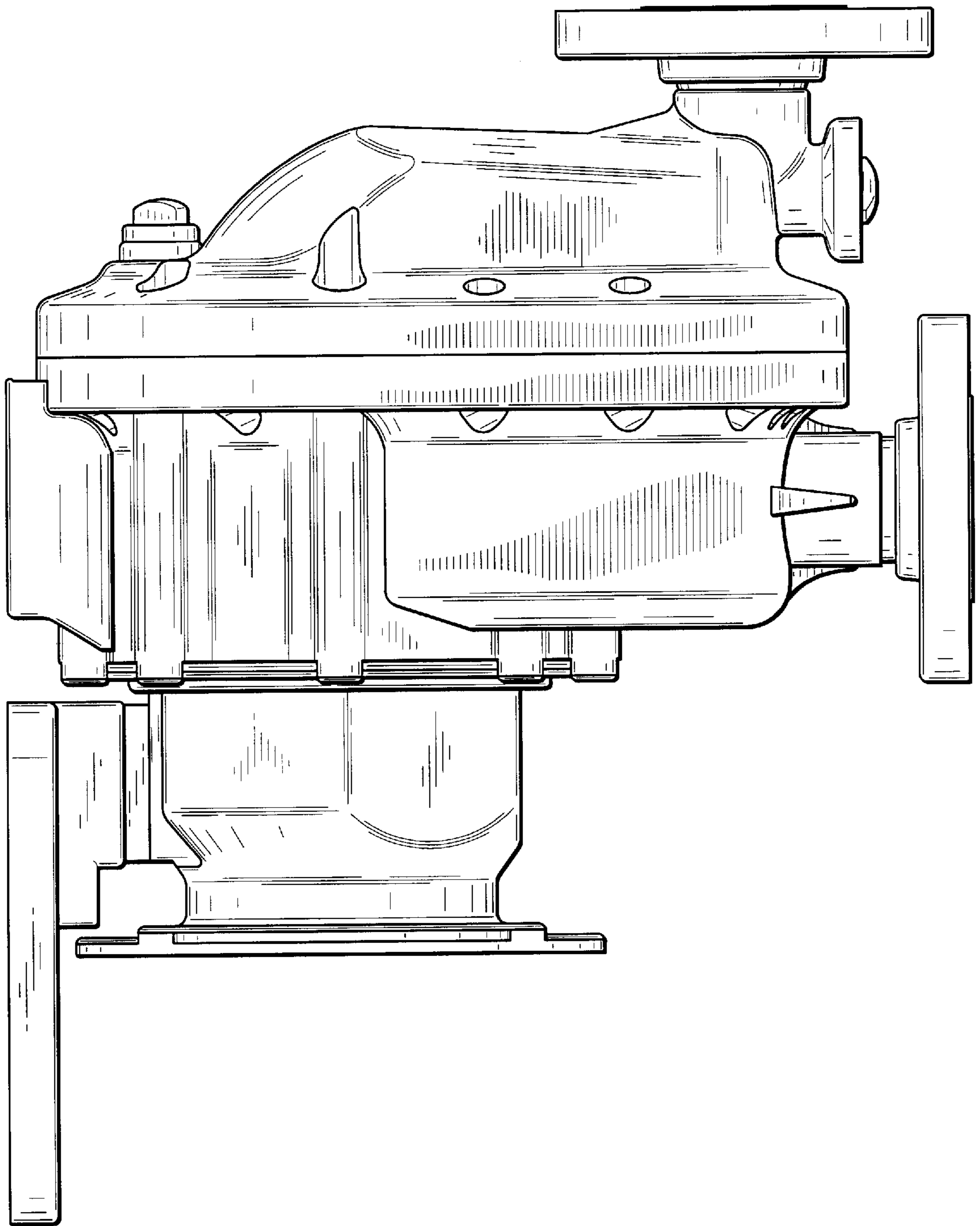


FIG. 2

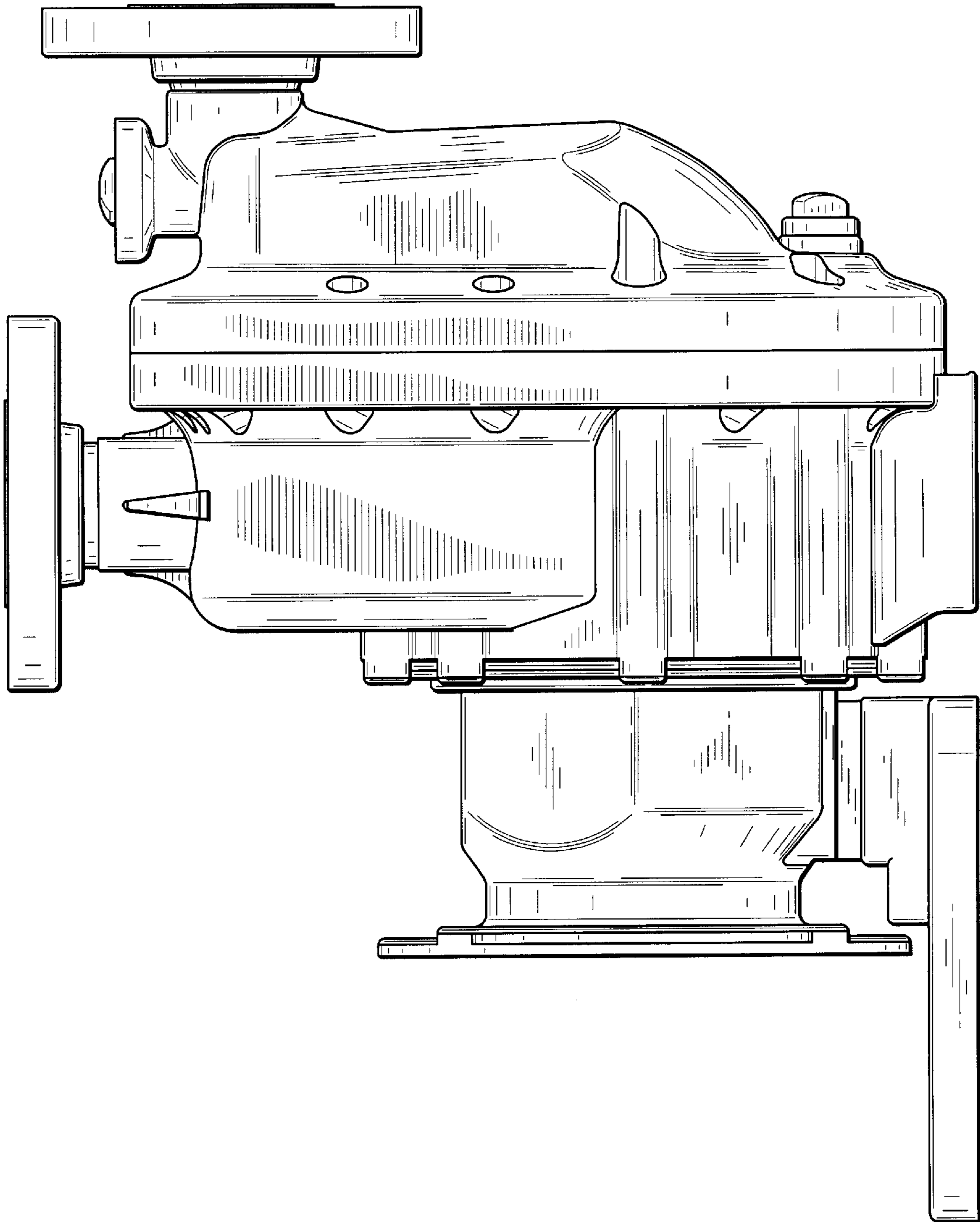


FIG. 3

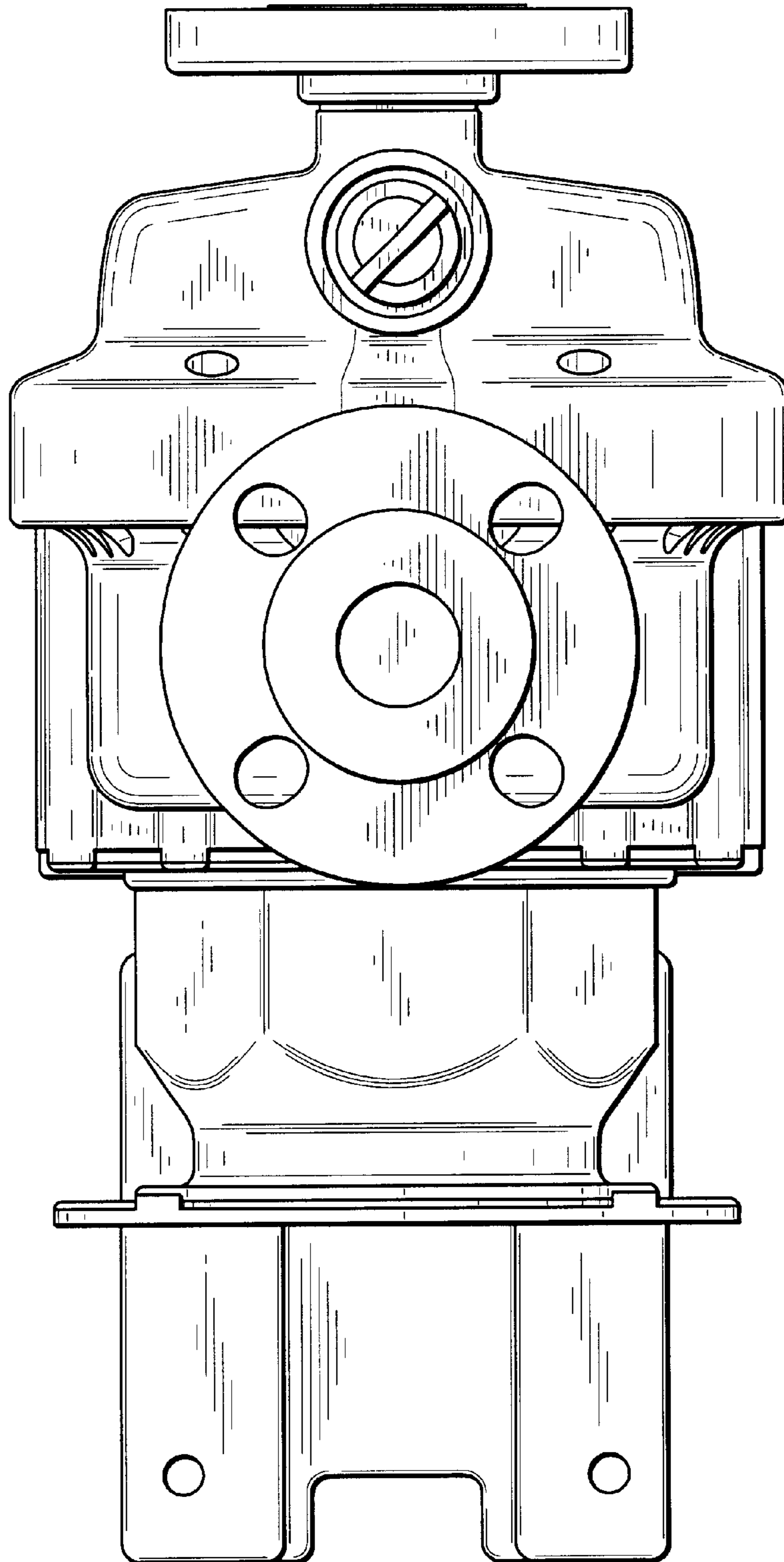


FIG. 4

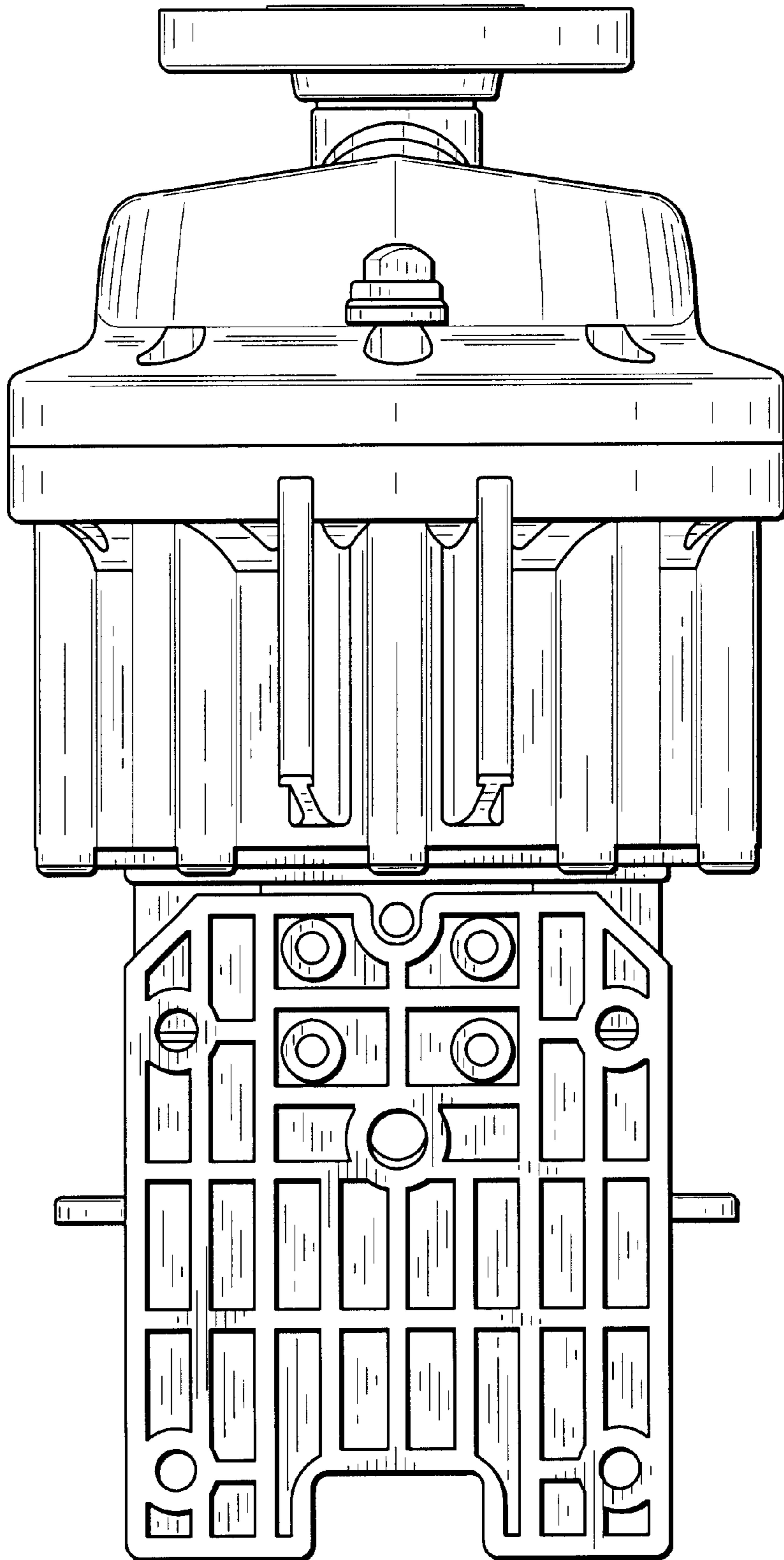


FIG. 5

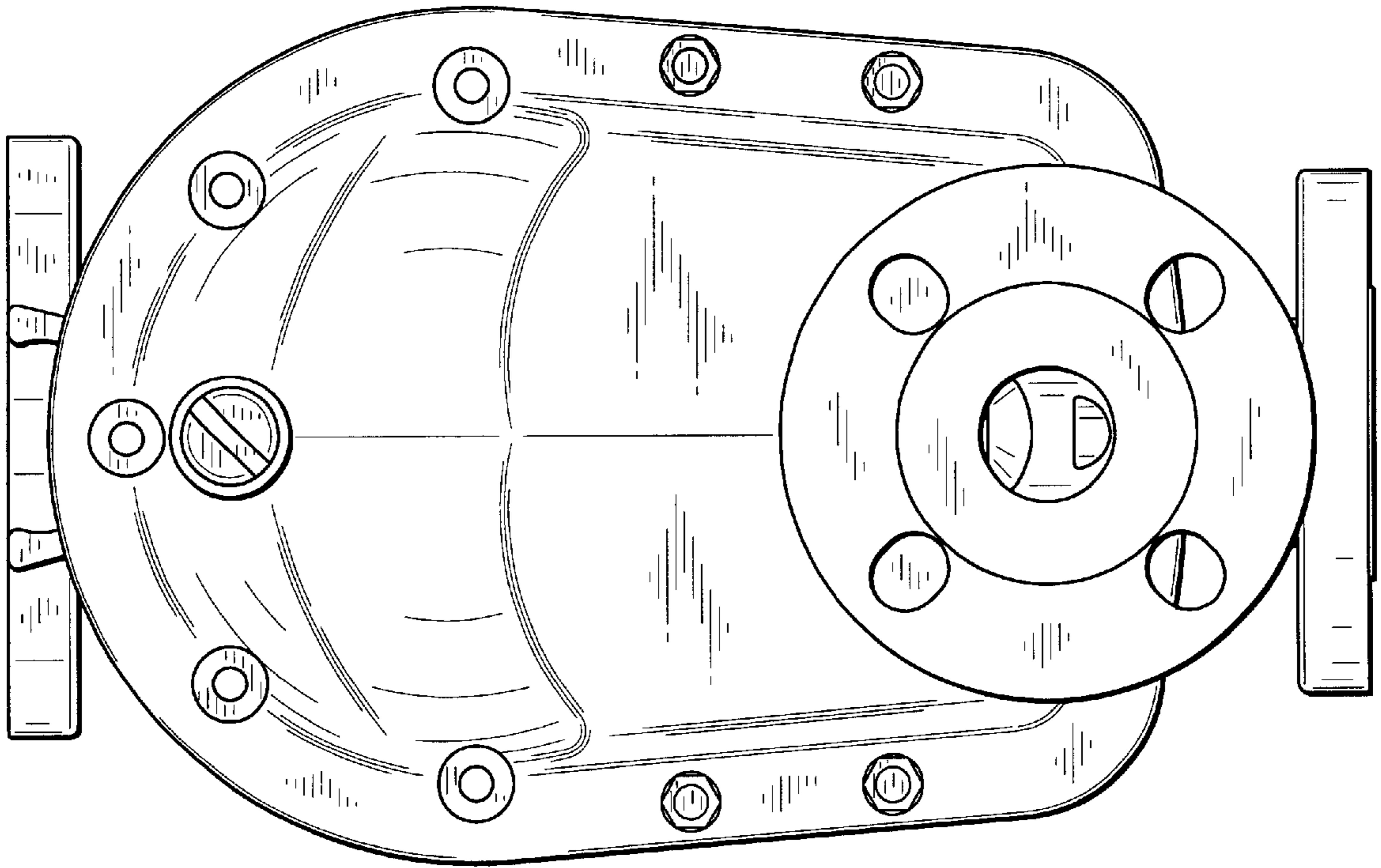


FIG. 6

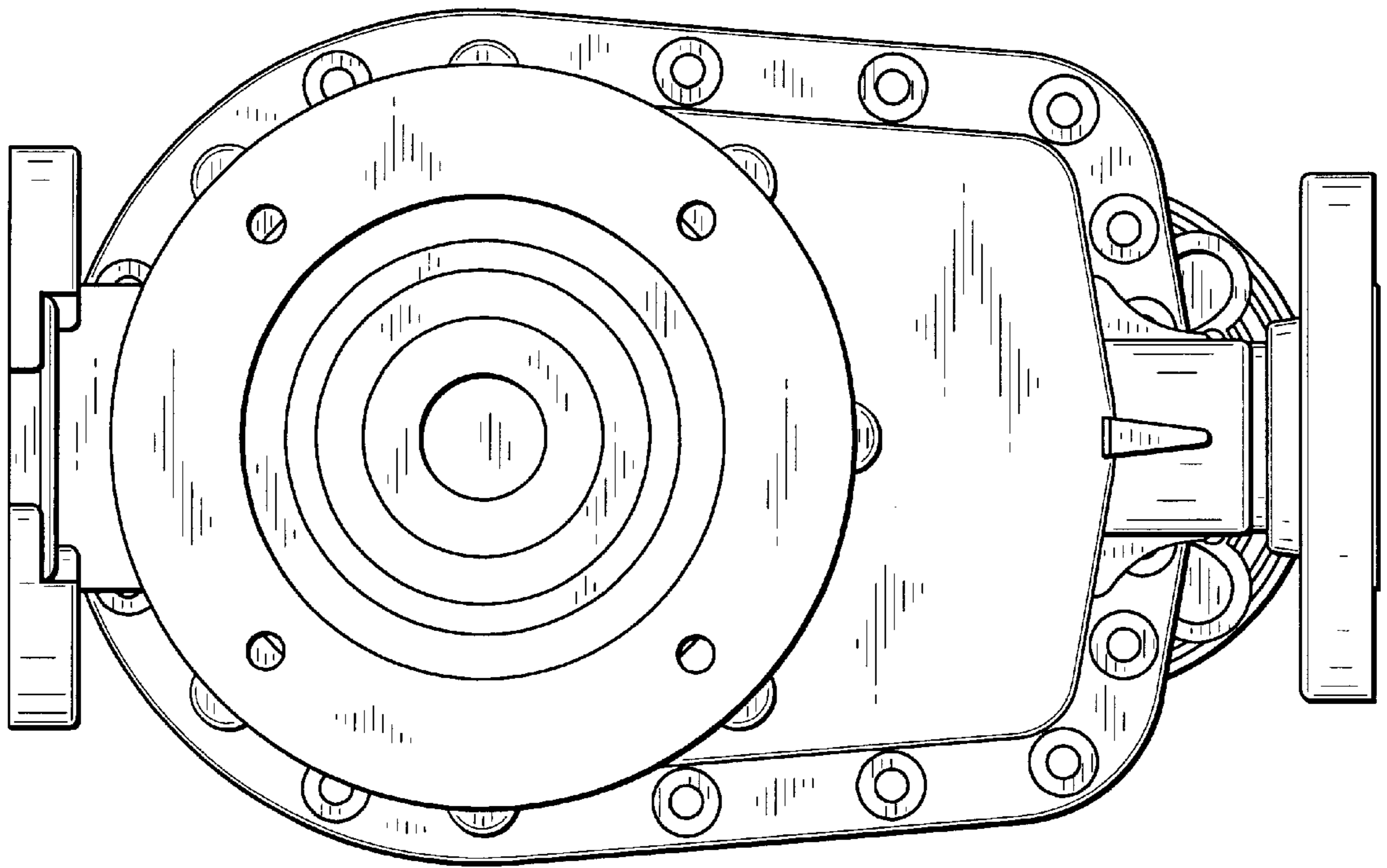


FIG. 7

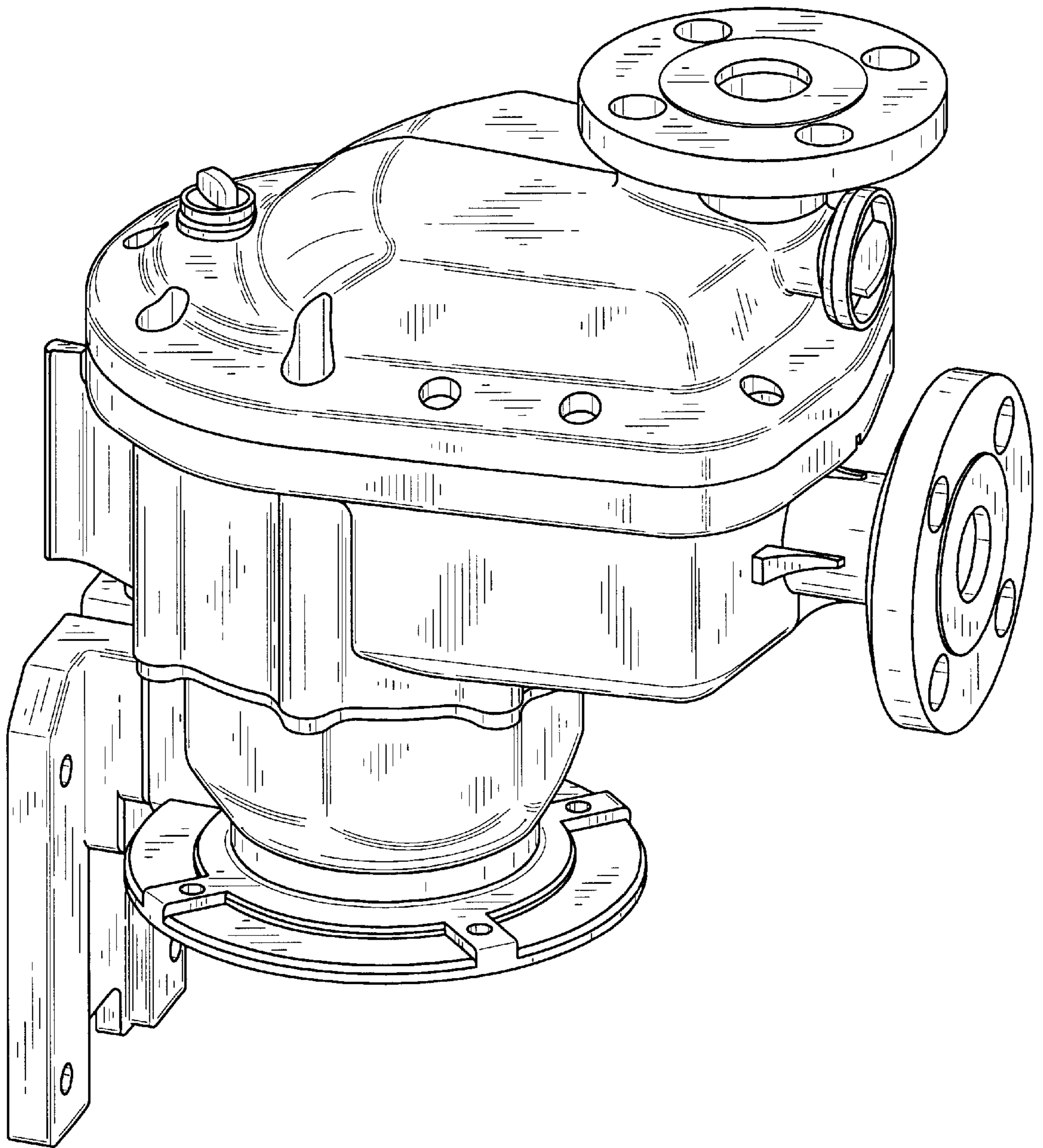


FIG. 8

