



US00D450326B1

(12) **United States Design Patent**  
**Mundell**

(10) **Patent No.:** **US D450,326 S**

(45) **Date of Patent:** **\*\* Nov. 13, 2001**

(54) **TRANSPARENT TIMING BELT COVER**

**DESCRIPTION**

(76) Inventor: **Stephen Philip Mundell**, 258 Overleaf Dr., Arnold, MD (US) 21012

(\*\*) Term: **14 Years**

(21) Appl. No.: **29/133,944**

(22) Filed: **Dec. 12, 2000**

(51) **LOC (7) Cl.** ..... **15-01**

(52) **U.S. Cl.** ..... **D15/5**

(58) **Field of Search** ..... D15/1-5; D12/114,  
D12/126; 74/569, 609, 609 R

(56) **References Cited**

**U.S. PATENT DOCUMENTS**

D. 320,024	*	9/1991	Segal	.....	D15/5
D. 354,462	*	1/1995	Davidson et al.	.....	D12/126
D. 406,148	*	2/1999	Cirincione	.....	D15/5
D. 409,119	*	5/1999	Feroog	.....	D12/126

\* cited by examiner

*Primary Examiner*—Melody N. Brown

(57) **CLAIM**

The ornamental design for a transparent timing belt cover, as shown and described.

FIG. 1 is a front side elevational view of a transparent timing belt cover showing my new design, the broken lines shown in FIG. 1 of the drawing are for illustrative purposes only and form no part of the claimed design.

FIG. 2 is a left side perspective view of a transparent timing belt cover.

FIG. 3 is a right side perspective view of a transparent timing belt cover.

FIG. 4 is a right side view of a transparent timing belt cover.

FIG. 5 is a left side view of a transparent timing belt cover.

FIG. 6 is a rear right perspective view of a transparent timing belt cover.

FIG. 7 is a rear left perspective view of a transparent timing belt cover.

FIG. 8 is a front view of a transparent timing belt cover.

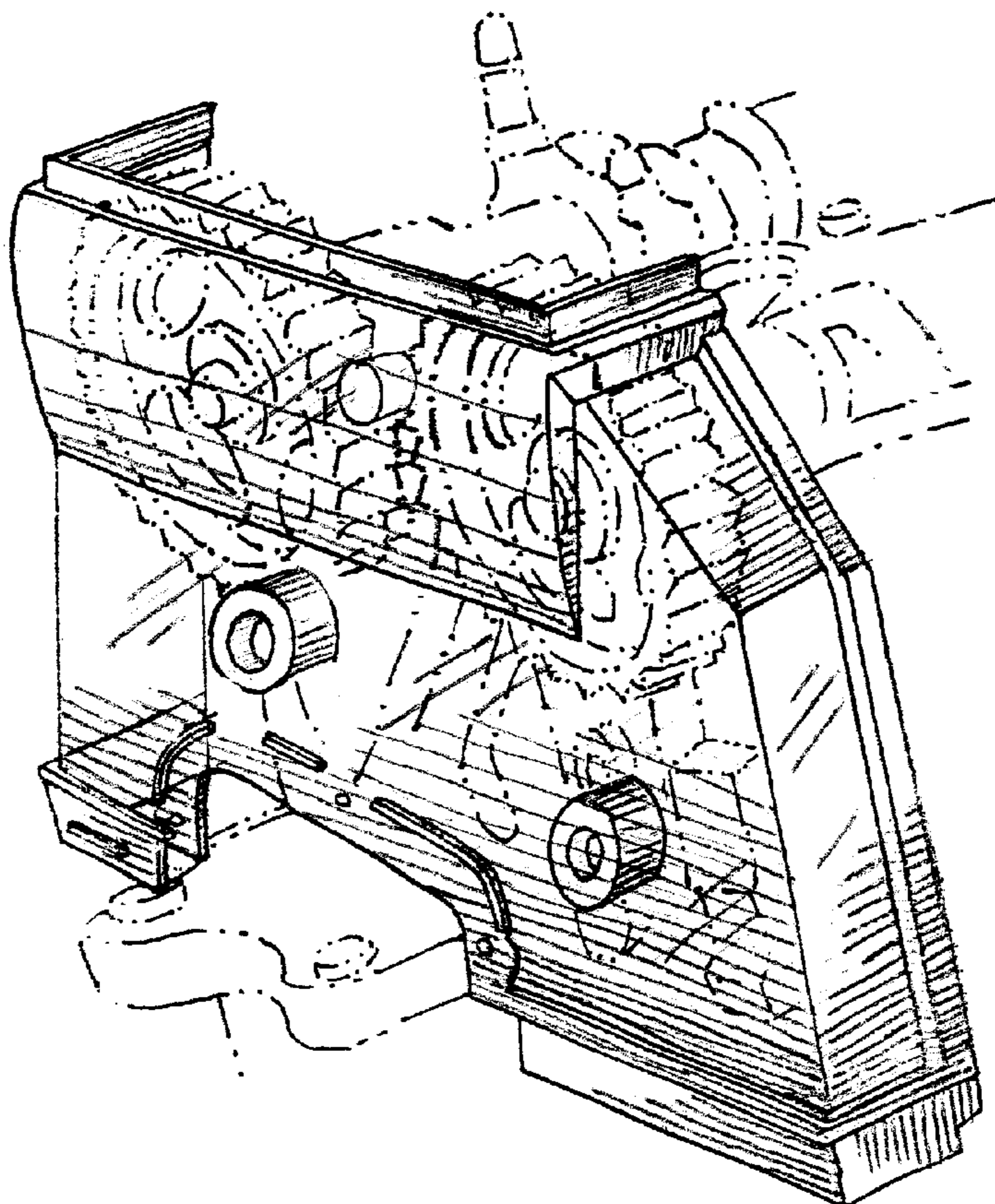
FIG. 9 is a rear view of a transparent timing belt cover.

FIG. 10 is a top perspective view of a transparent timing belt cover; and,

FIG. 11 is a bottom perspective view of a transparent timing belt cover.

The broken lines shown in FIG. 1 of the drawings are illustrative purposes only and form no part of the claimed design.

**1 Claim, 5 Drawing Sheets**



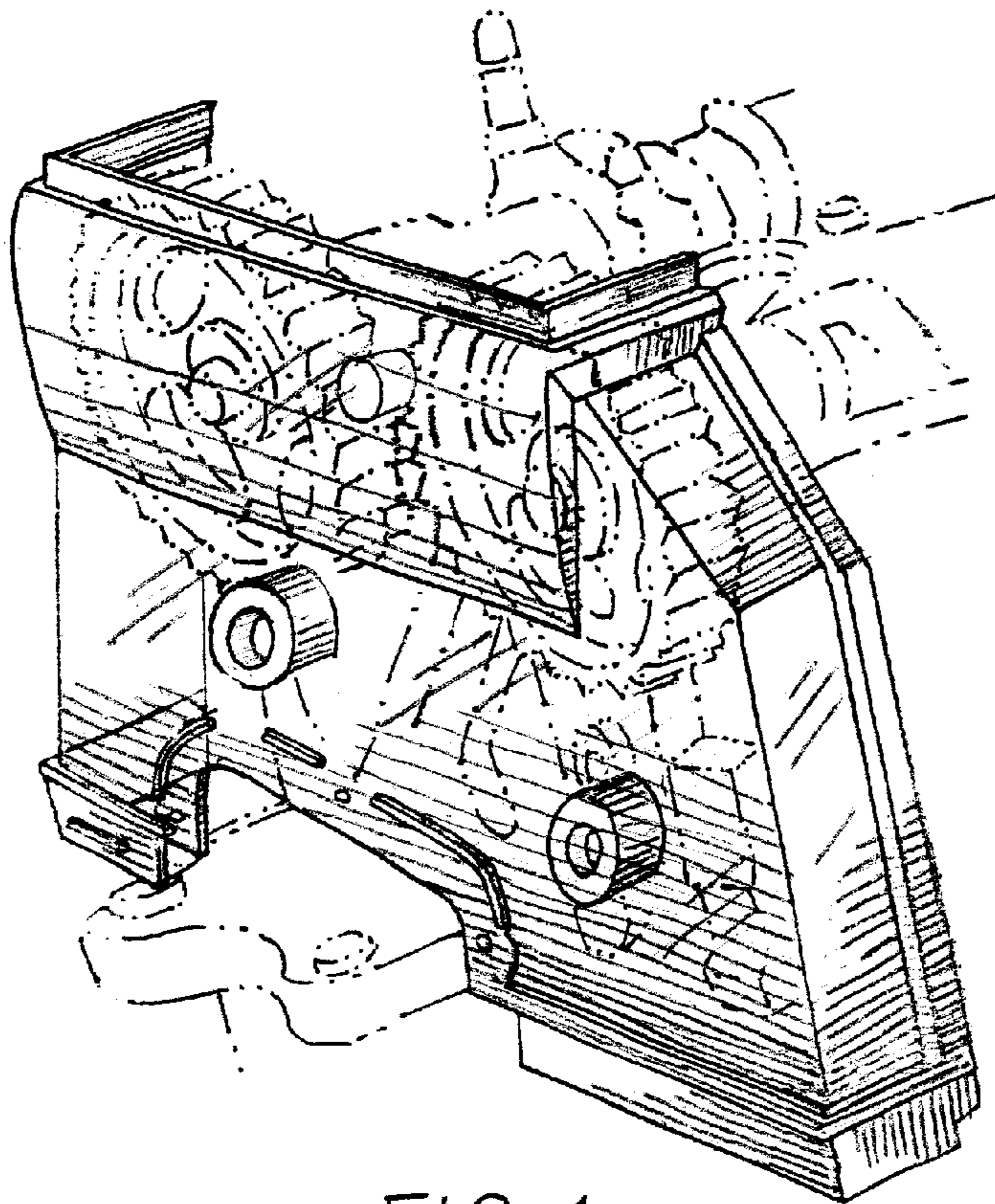


FIG. 1

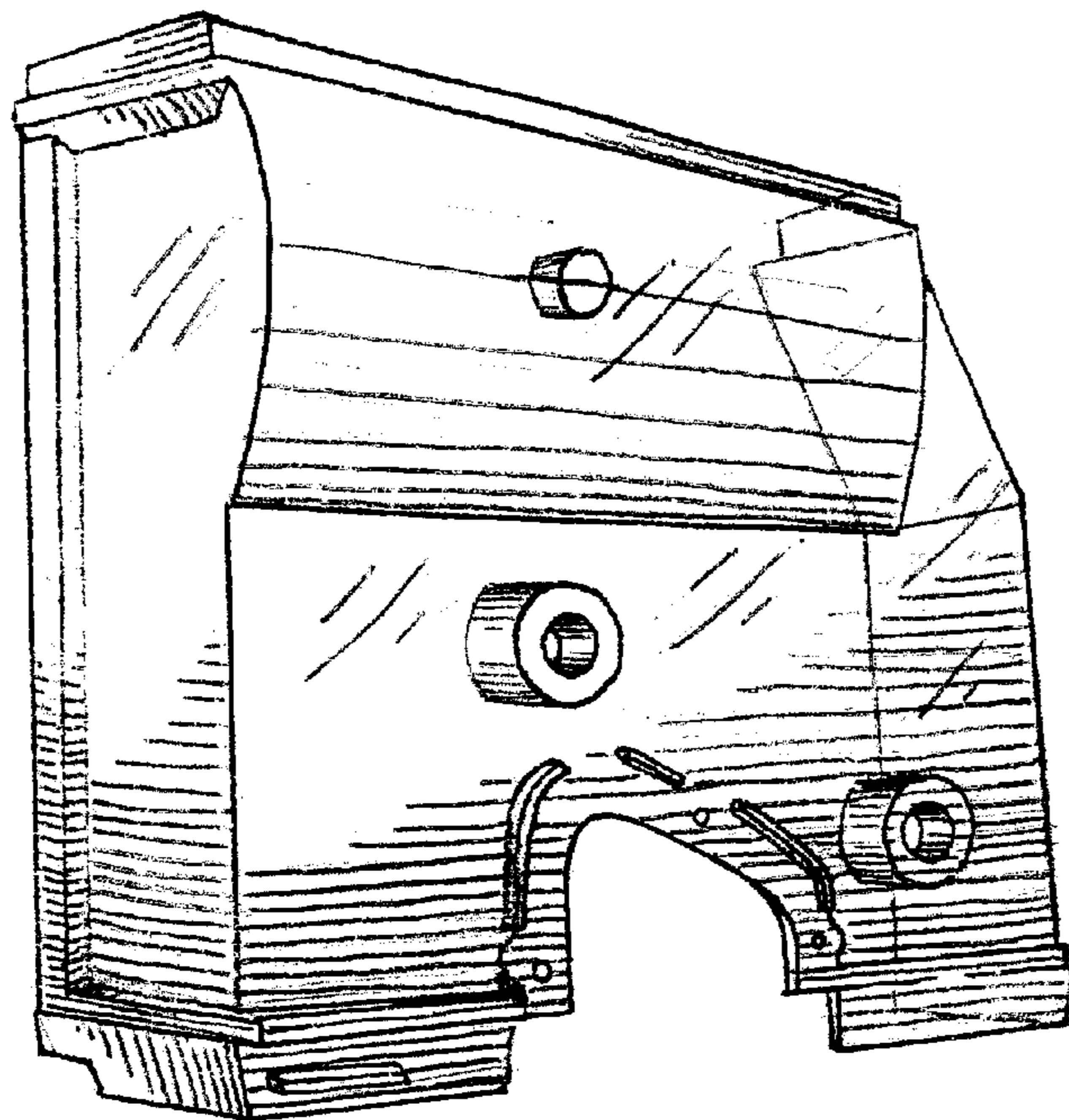


FIG. 2

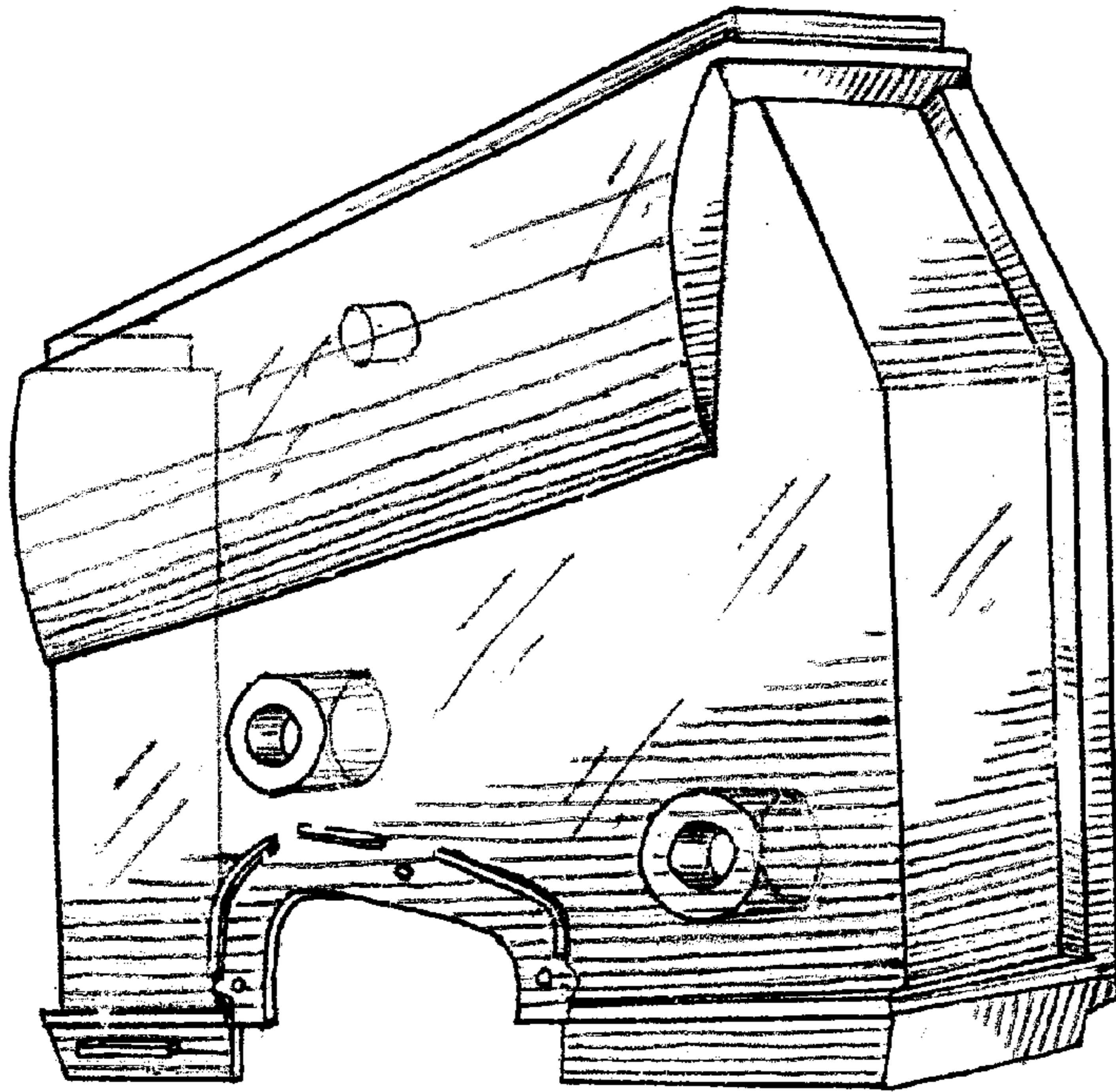


FIG. 3

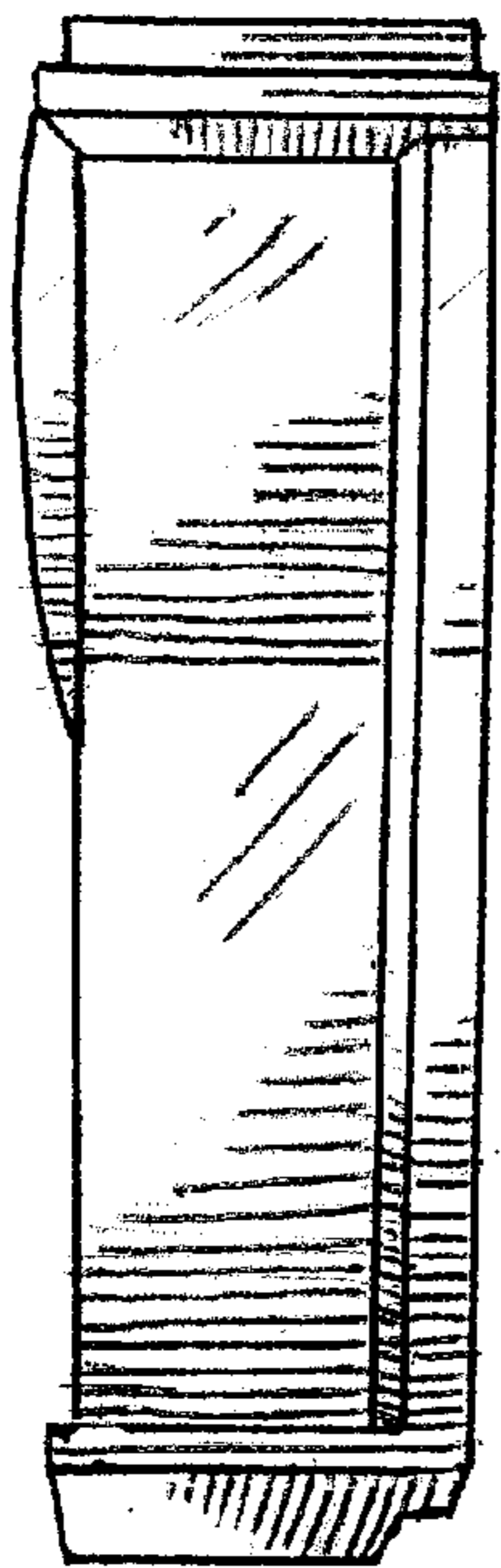


FIG. 4

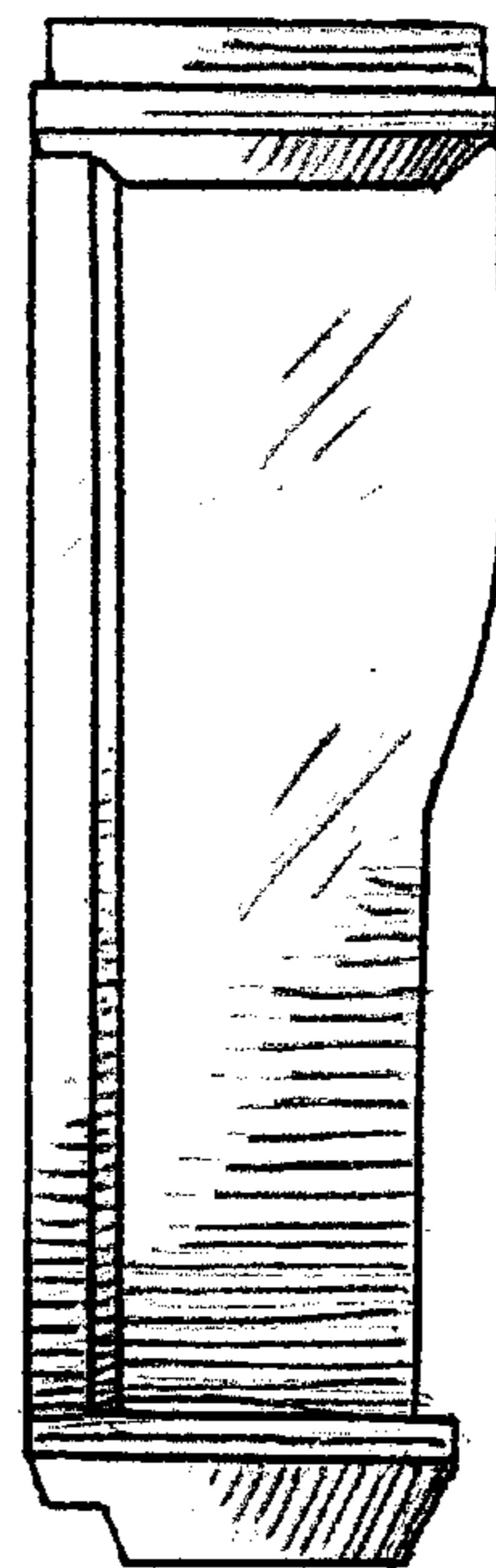


FIG. 5

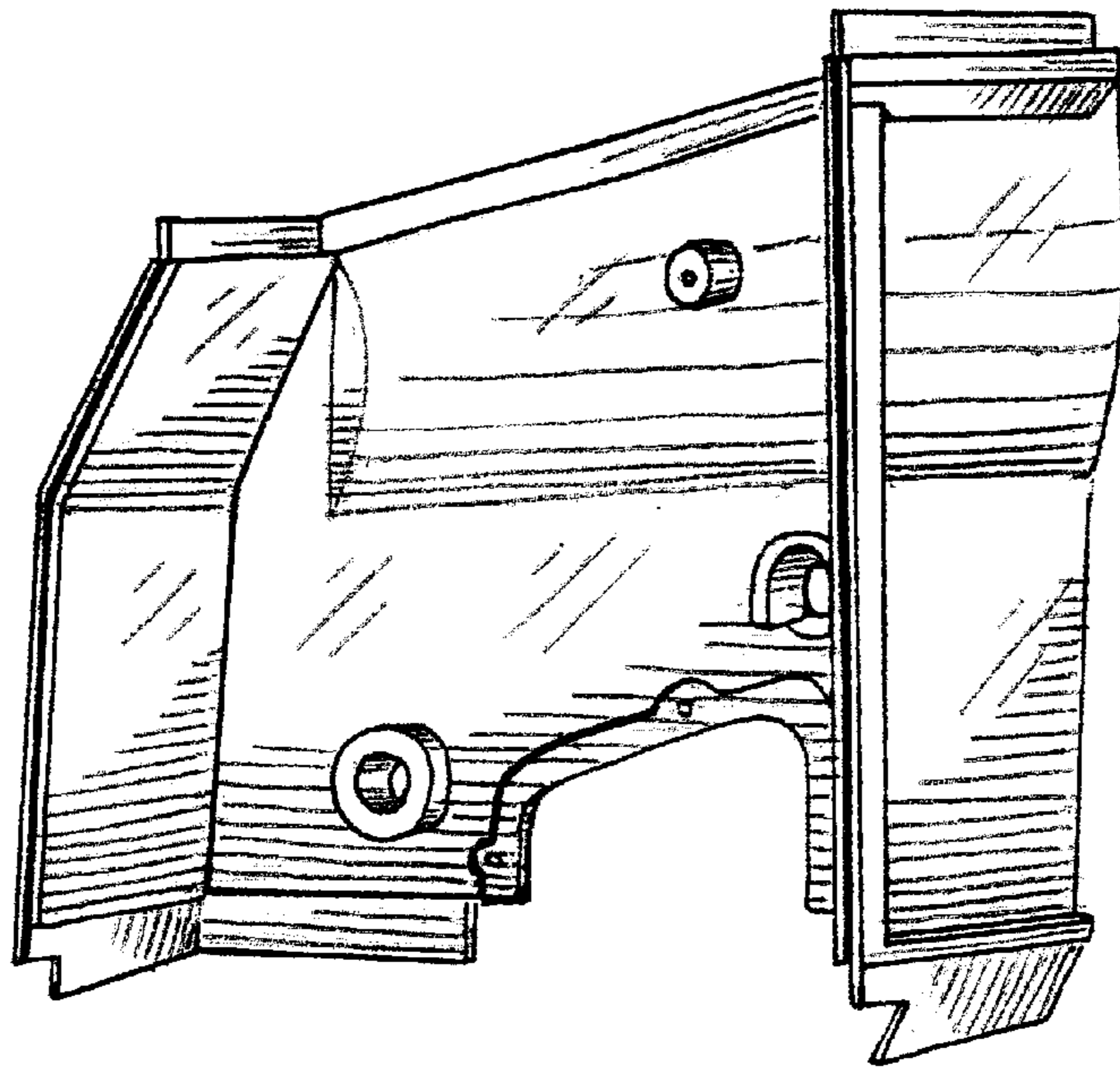


FIG. 6

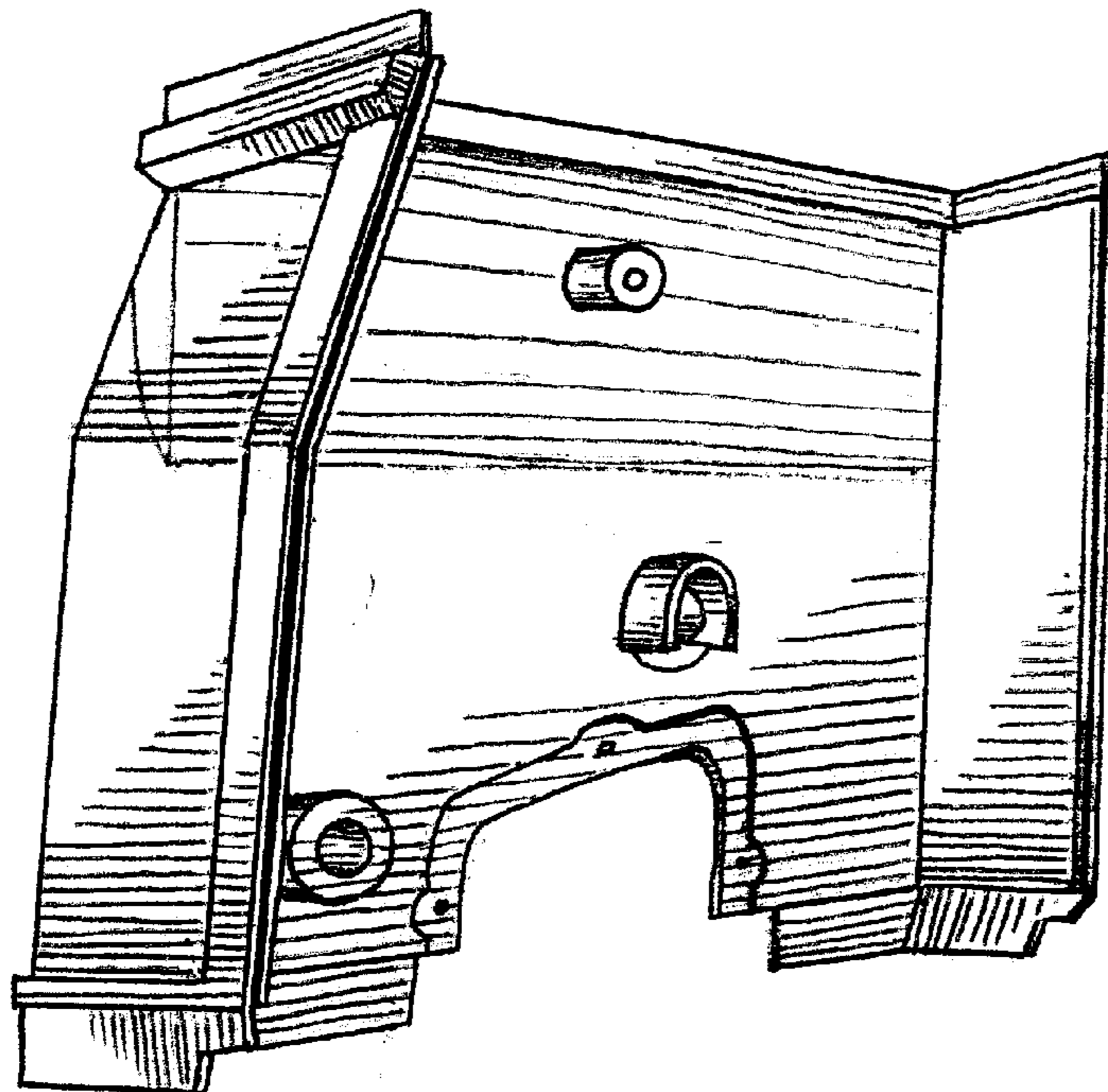


FIG. 7

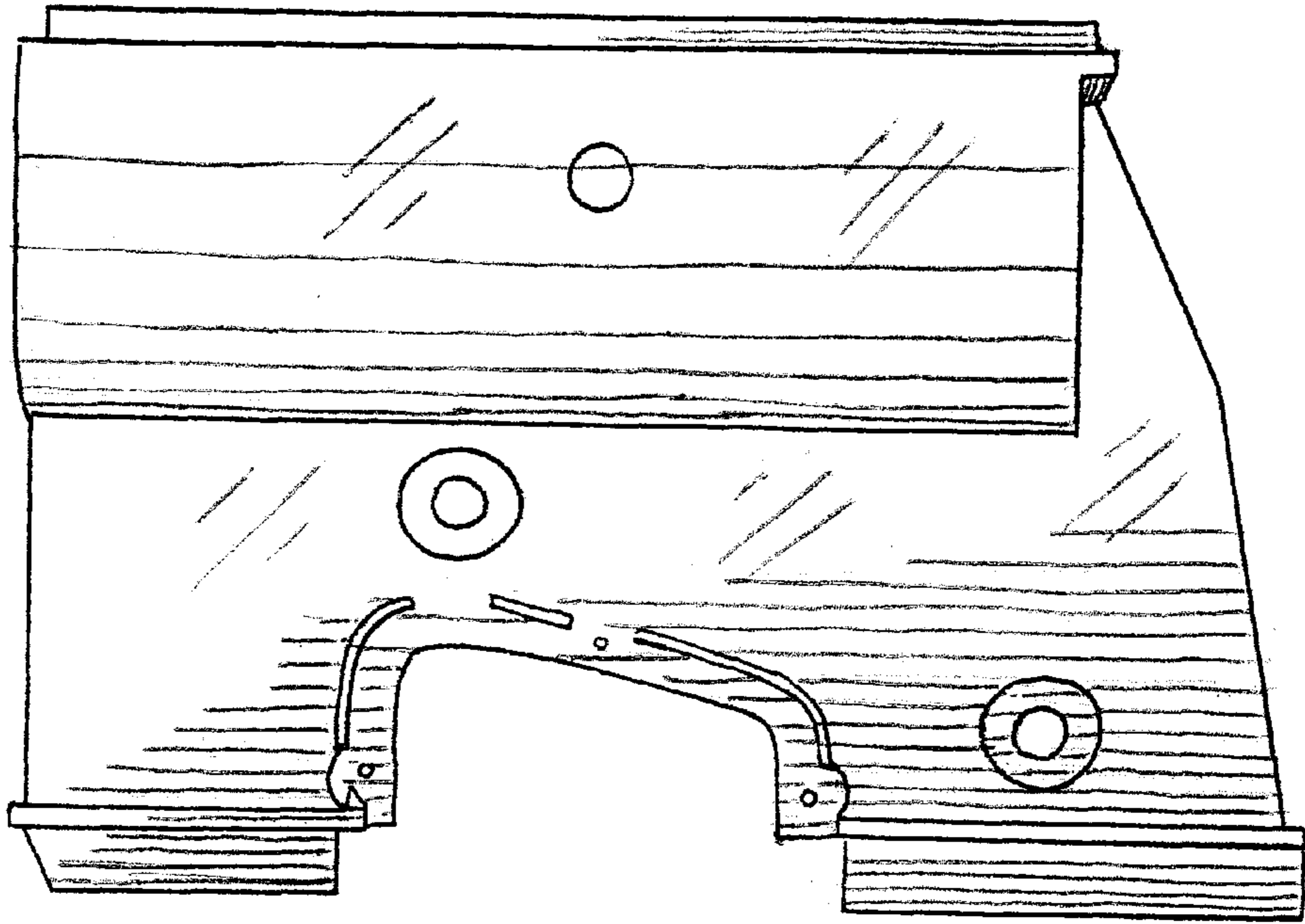


FIG. 8

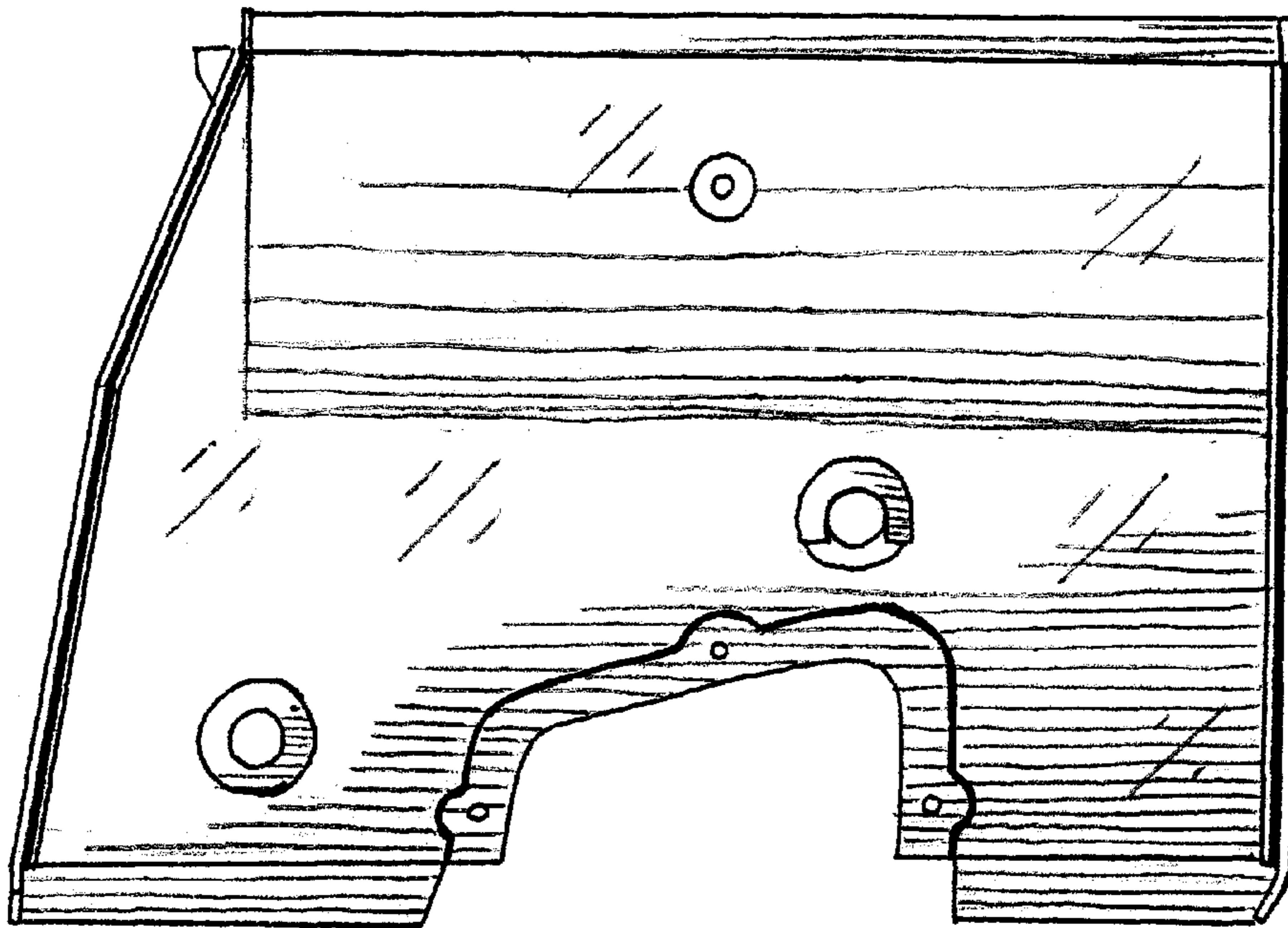


FIG. 9

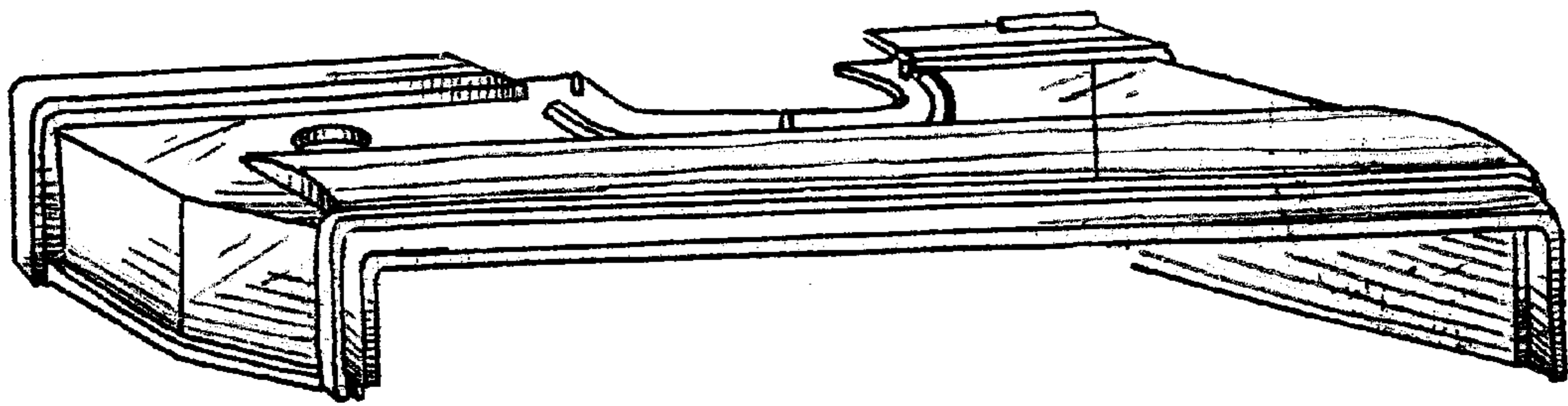


FIG. 10

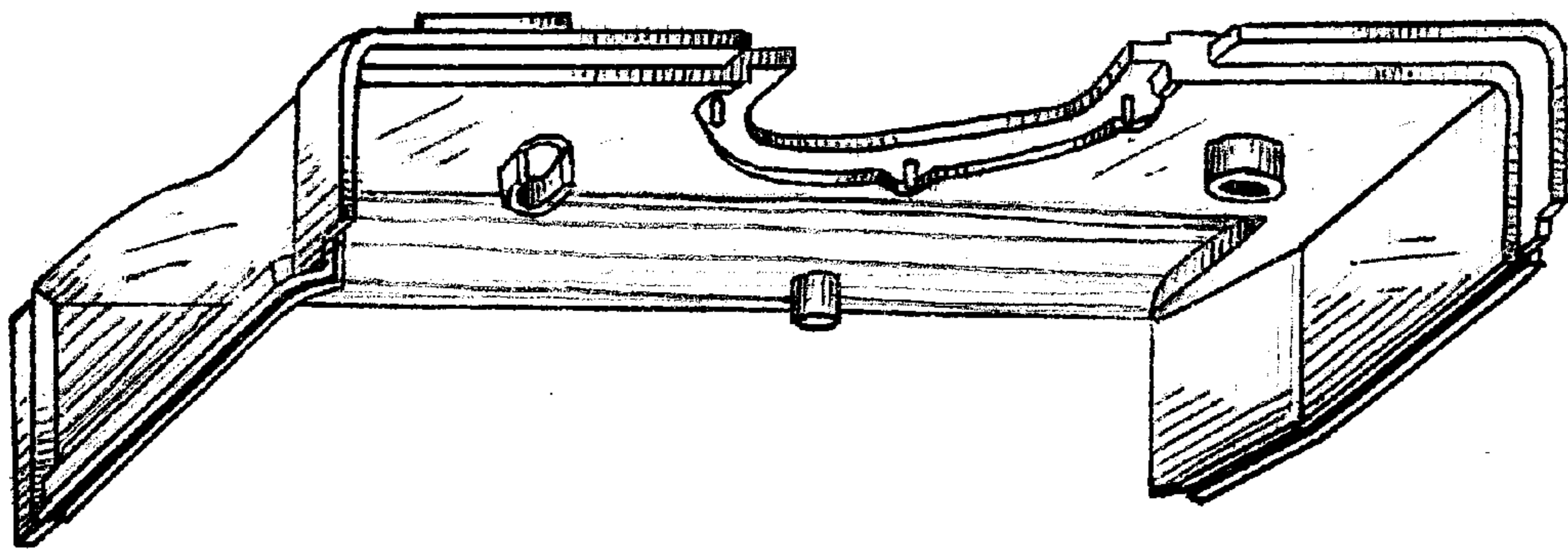


FIG. 11