



US00D450325B1

(12) **United States Design Patent**
Hartford et al.

(10) **Patent No.: US D450,325 S**

(45) **Date of Patent: ** Nov. 13, 2001**

(54) **ICON IMAGE FOR A COMPUTER DISPLAY SCREEN**

(58) **Field of Search** D14/485-95; D18/24-33; D19/6; D20/11; D21/324-33; 345/326, 339-58

(75) **Inventors:** **Stephen A. Hartford**, Folsom; **Daniel A. Kaye**, San Francisco; **J. Paul Montgomery**, Granite Bay; **Michael Richard Young Moore**, Rancho Cordova; **Mark R. Mooneyham**, Folsom; **Stephan M. Bouchard**, Folsom; **James D. Kimball**, Folsom; **Karl V. Miller**, Sacramento; **Jeremy D. Wheaton**; **Michael P. Radogna**, both of Carmichael; **Peter A. Tjeerdsma**, Fair Oaks, all of CA (US)

(56) **References Cited**

U.S. PATENT DOCUMENTS

- D. 391,559 * 3/1998 Faris et al. D14/114.1
- D. 391,948 * 3/1998 Eisenberg D14/114.5
- D. 400,520 * 11/1998 Baker et al. D14/114.2
- D. 402,284 * 12/1998 Coleman D14/114.2
- D. 407,698 * 4/1999 Alexiev D14/114.1

* cited by examiner

Primary Examiner—M. H. Tung

(74) *Attorney, Agent, or Firm*—Carr & Ferrell LLP

(73) **Assignee:** **GlobalStreams, Inc.**, Emeryville, CA (US)

(57) **CLAIM**

(**) **Term:** **14 Years**

The ornamental design for an icon image for a computer display screen, as shown and described.

(21) **Appl. No.:** **29/111,247**

DESCRIPTION

(22) **Filed:** **Sep. 23, 1999**

FIG. 1 is a front view of an icon for a computer display screen, the broken line drawings of a computer display screen and interior features are for illustrative purposes only and form no part of the claimed design; and, FIG. 2 is a front view thereof, on an enlarged scale; the icon is shown separately for clarity of illustration.

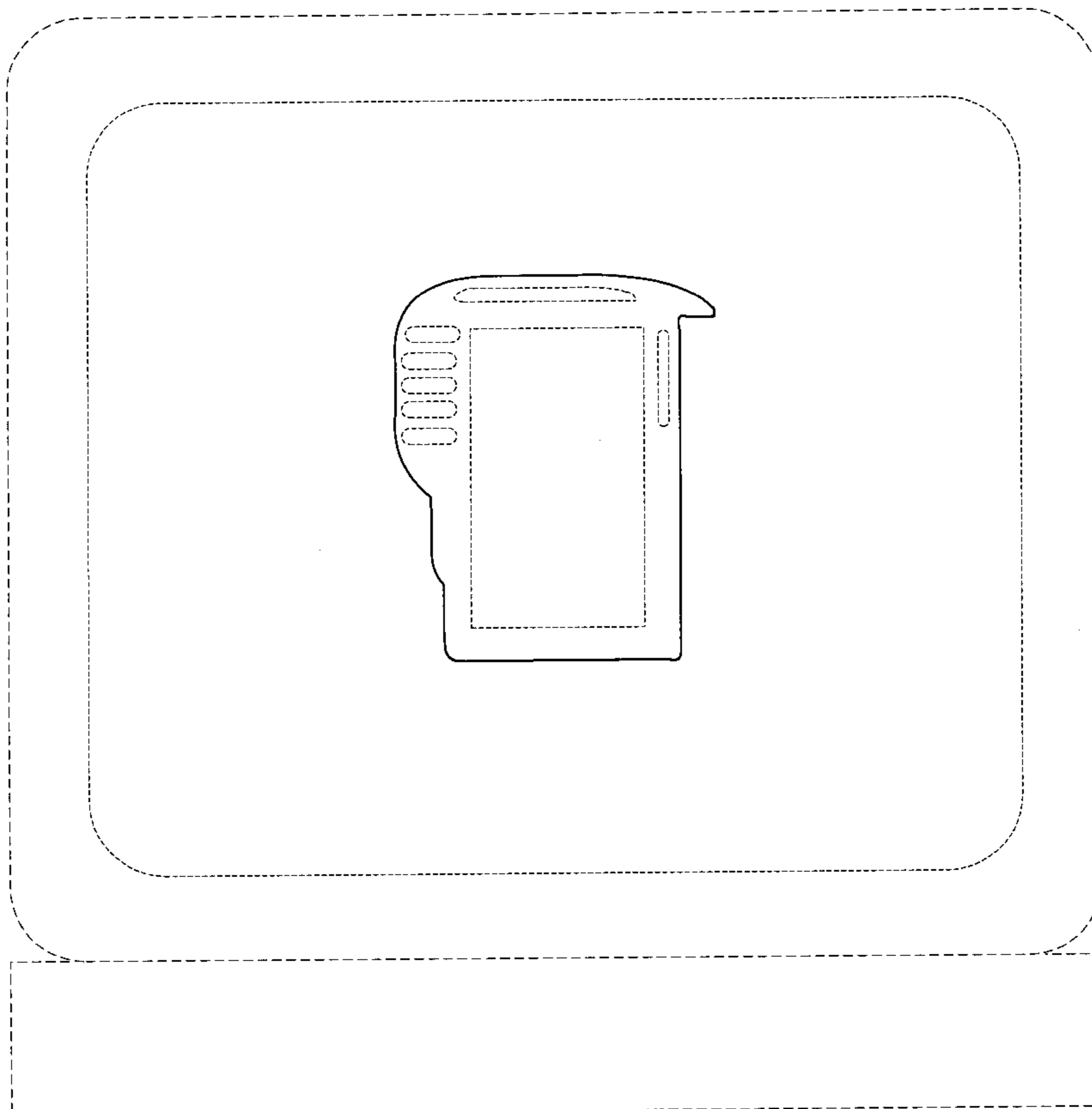
Related U.S. Application Data

(62) Division of application No. 29/091,402, filed on Jul. 29, 1998, now Pat. No. Des. 418,827.

(51) **LOC (7) Cl.** **14-02**

(52) **U.S. Cl.** **D14/489**

1 Claim, 2 Drawing Sheets



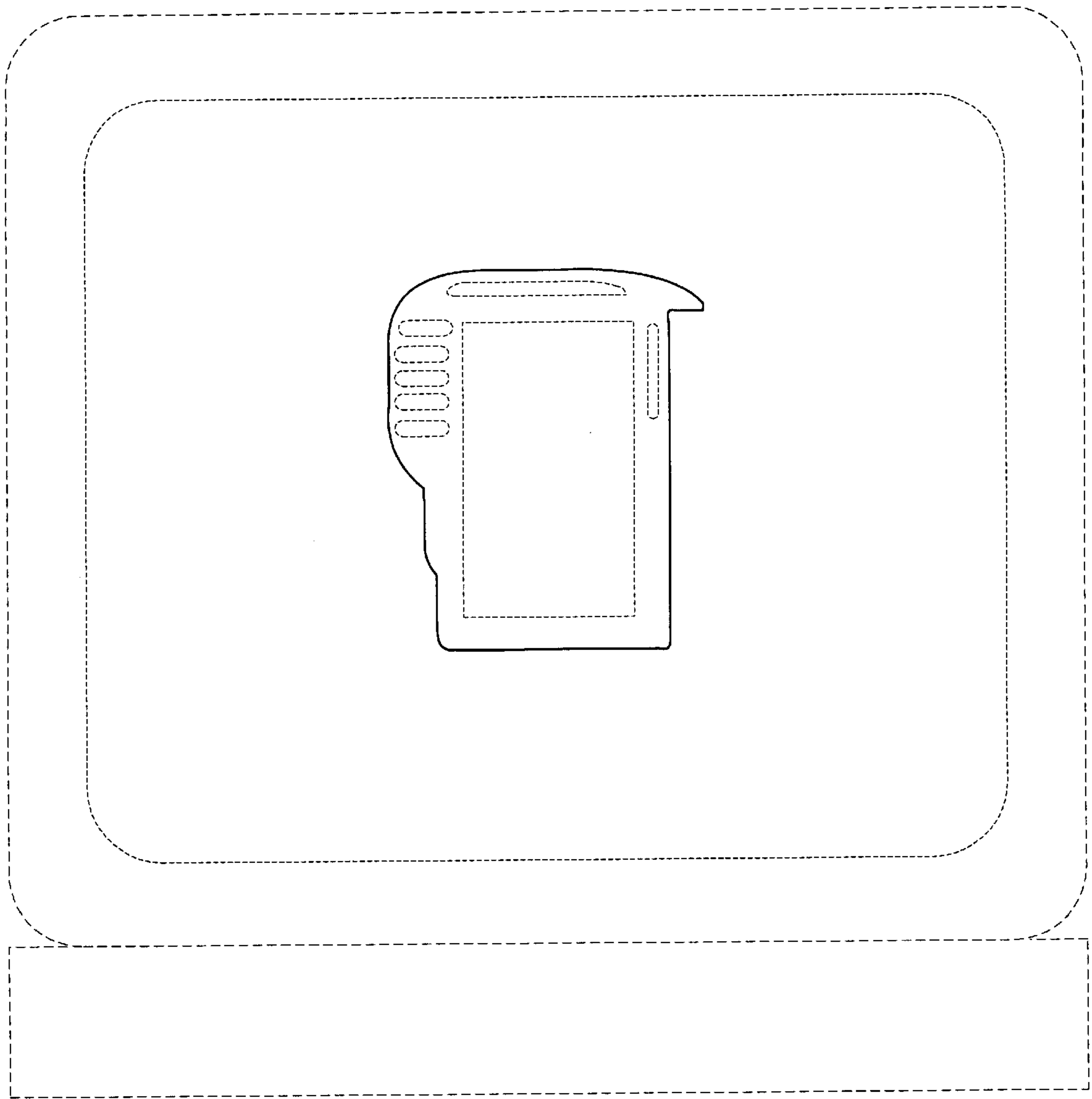


FIG. 1

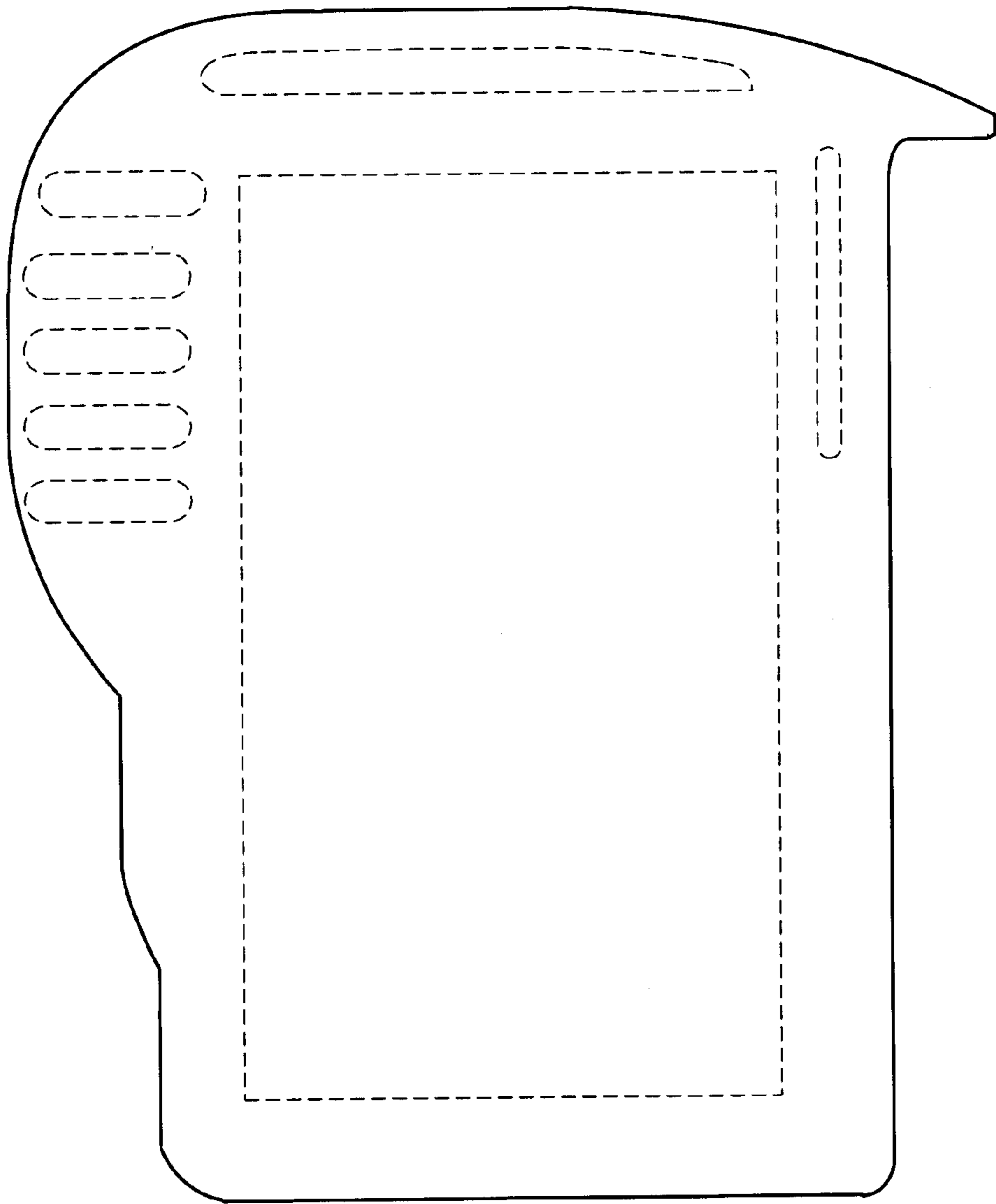


FIG. 2