



US00D450322B1

(12) **United States Design Patent**  
**Jean et al.**

(10) **Patent No.:** **US D450,322 S**

(45) **Date of Patent:** **\*\* Nov. 13, 2001**

(54) **COMPUTER FRONT BEZEL**

(75) Inventors: **Paul Jean**, Taipei; **Ko Chien Kan**,  
Tau-Yuan; **Ying Sheng Yeh**, Taipei, all  
of (TW)

(73) Assignee: **Hon Hai Precision Ind. Co., Ltd.**,  
Taipei Hsien (TW)

(\*\*) Term: **14 Years**

(21) Appl. No.: **29/122,347**

(22) Filed: **Apr. 25, 2000**

(30) **Foreign Application Priority Data**

Mar. 9, 2000 (TW) ..... 089301578

(51) **LOC (7) Cl.** ..... **14-02**

(52) **U.S. Cl.** ..... **D14/444**

(58) **Field of Search** ..... D14/441-446,  
D14/257, 258; D13/162, 184, 199, 164,  
177; 312/223.2; 361/680-686, 690-696

(56) **References Cited**

**U.S. PATENT DOCUMENTS**

D. 314,568 \* 2/1991 Martin ..... D14/445

D. 363,477 \* 10/1995 Tinsley, Jr. et al. .... D14/445  
D. 407,078 \* 3/1999 Fu ..... D14/446

\* cited by examiner

*Primary Examiner*—Freda Nunn

(74) *Attorney, Agent, or Firm*—Wei Te Chung

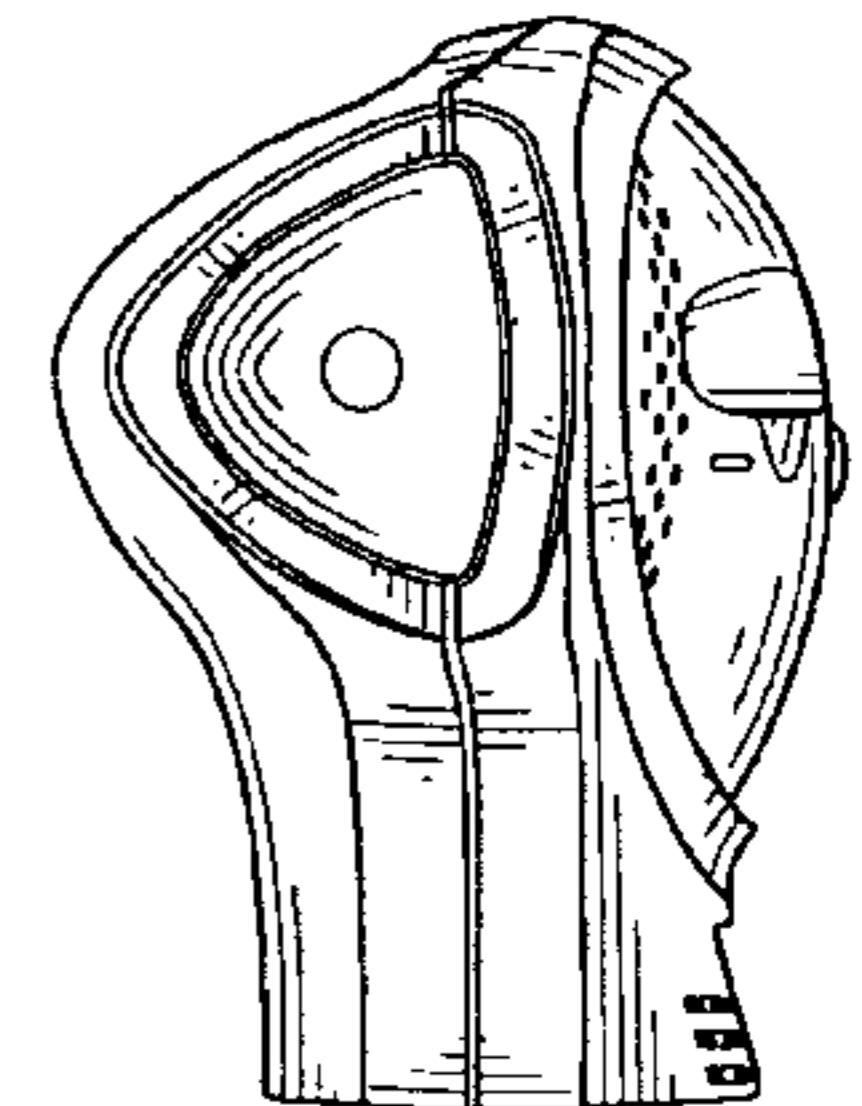
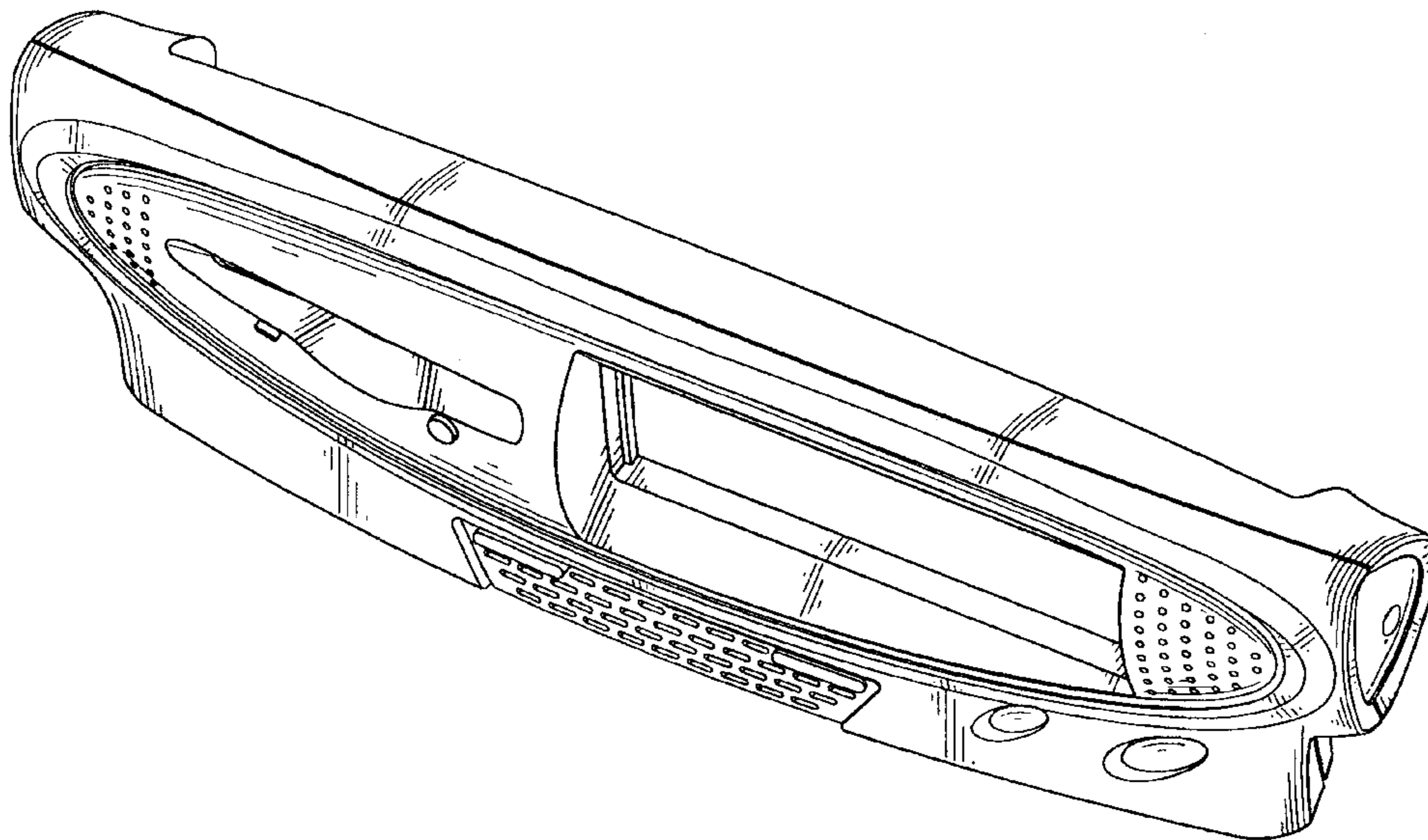
(57) **CLAIM**

The ornamental design for a computer front bezel, as shown and described.

**DESCRIPTION**

FIG. 1 is a perspective view of a computer front bezel showing our new design;  
FIG. 2 is a front elevational view thereof;  
FIG. 3 is a rear elevational view thereof;  
FIG. 4 is a left side elevational view thereof;  
FIG. 5 is a right side elevational view thereof;  
FIG. 6 is a top plan view thereof;  
FIG. 7 is a bottom plan view thereof; and,  
FIG. 8 is a perspective view thereof showing the computer front bezel mounted to a computer which is shown in broken lines for illustrative purposes only and forms on part of the claimed design.

**1 Claim, 6 Drawing Sheets**



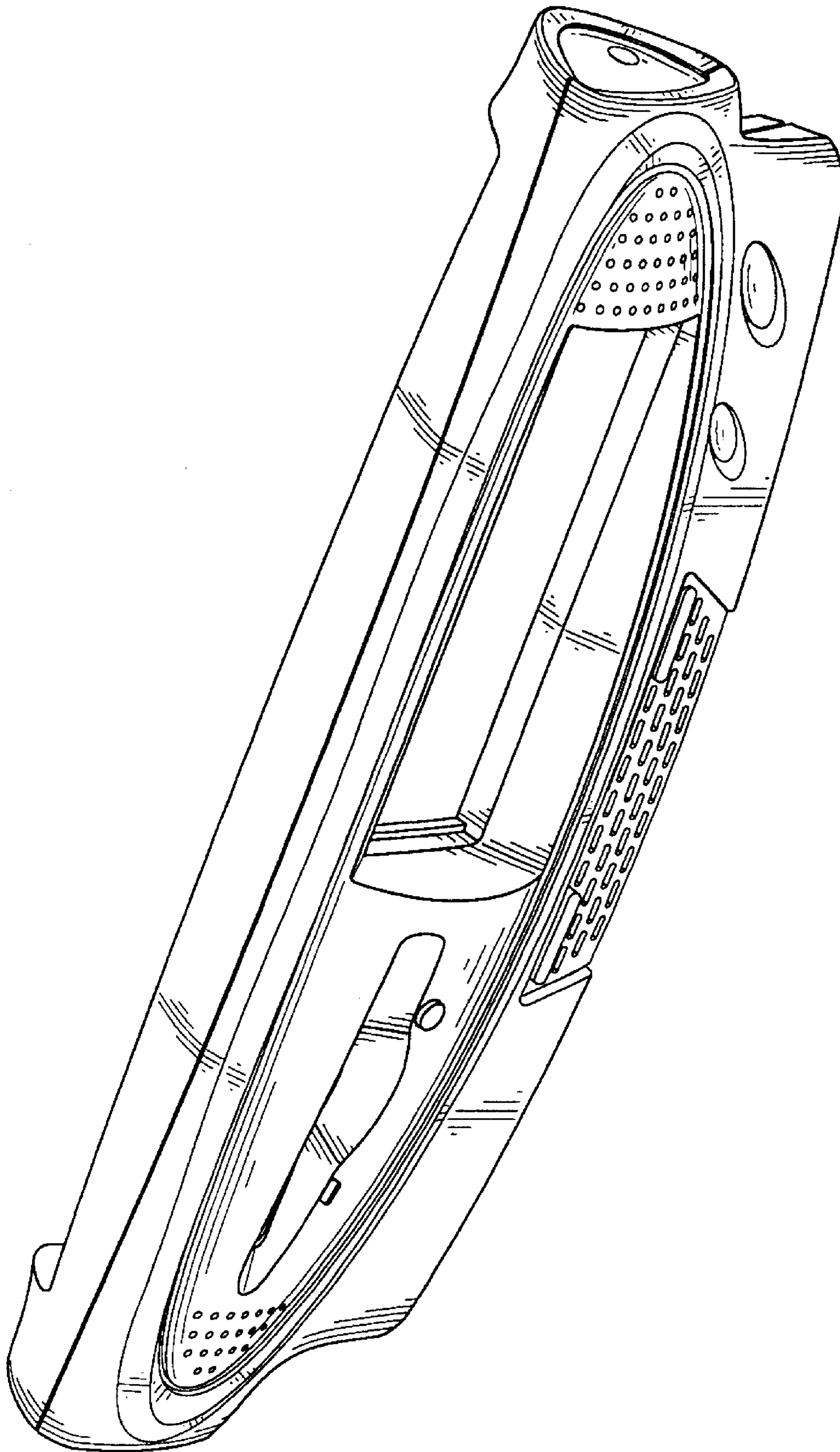


FIG. 1

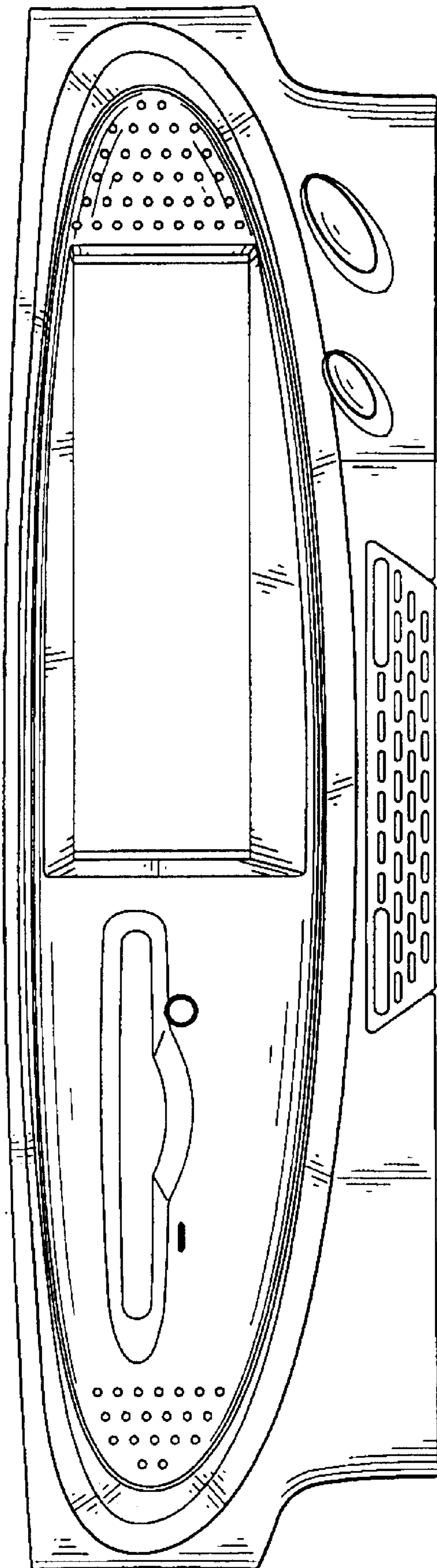


FIG. 2

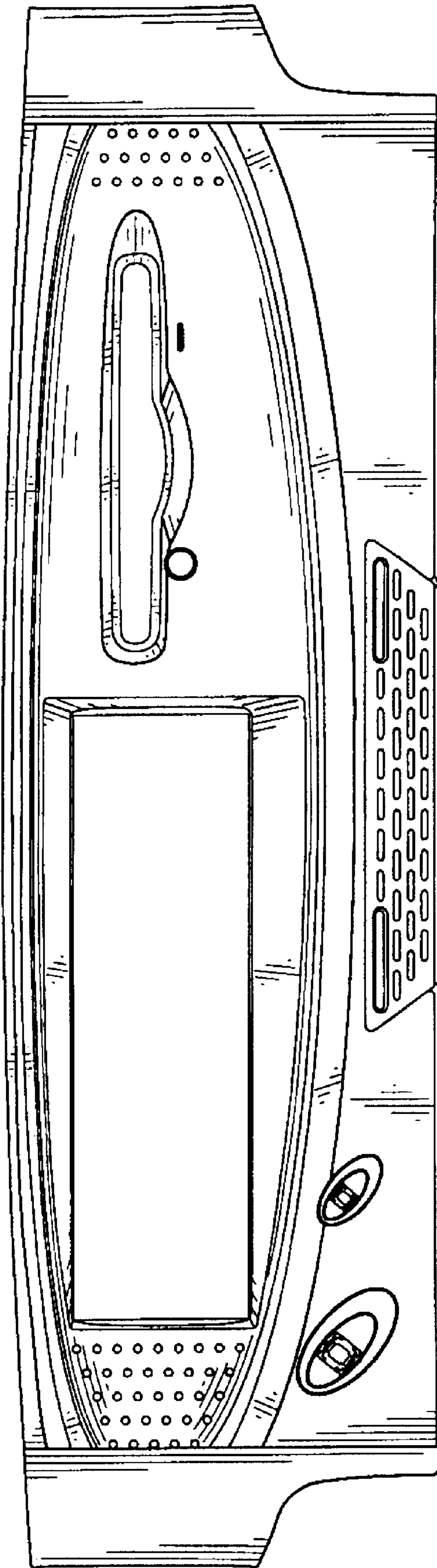


FIG. 3

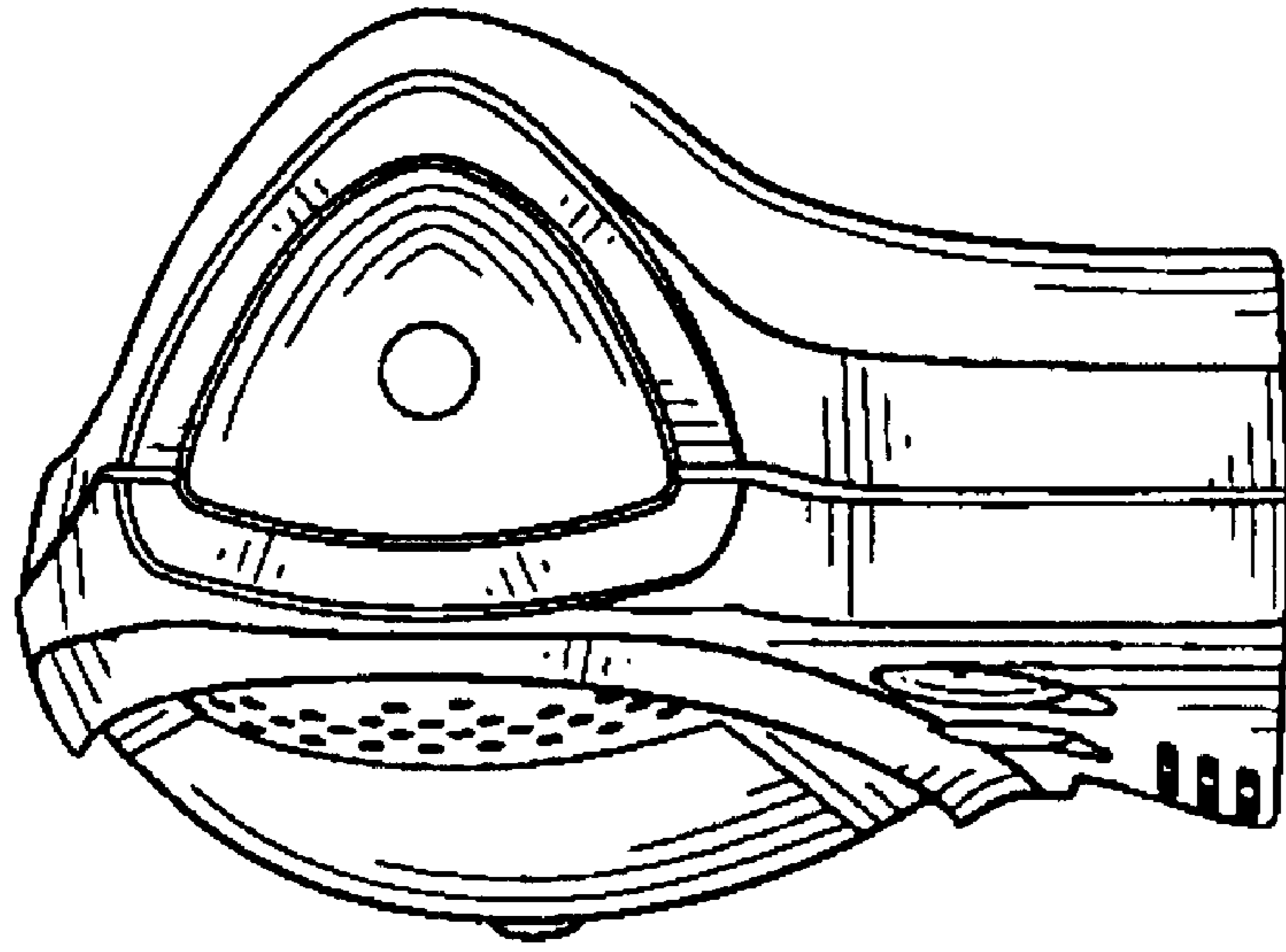


FIG. 5

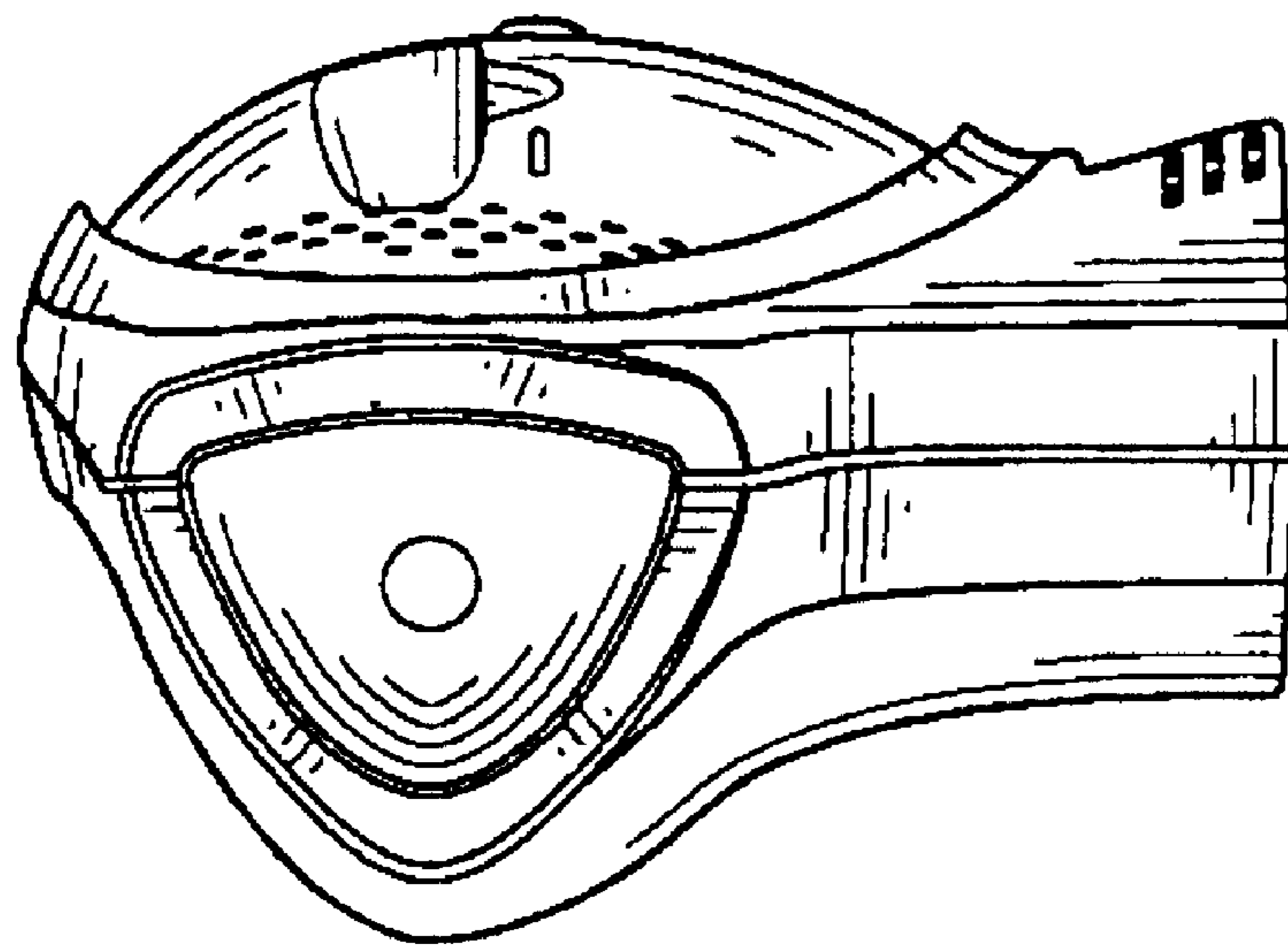


FIG. 4

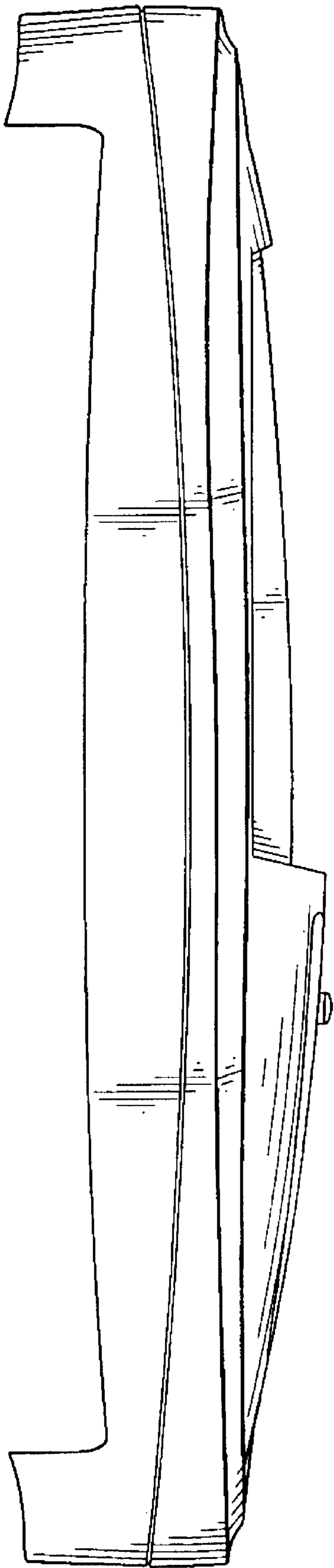


FIG. 6

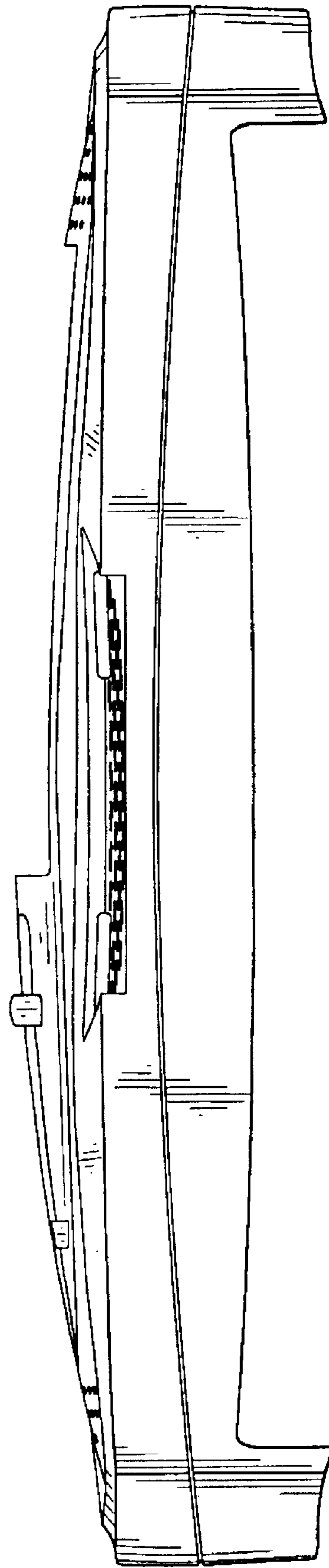


FIG. 7

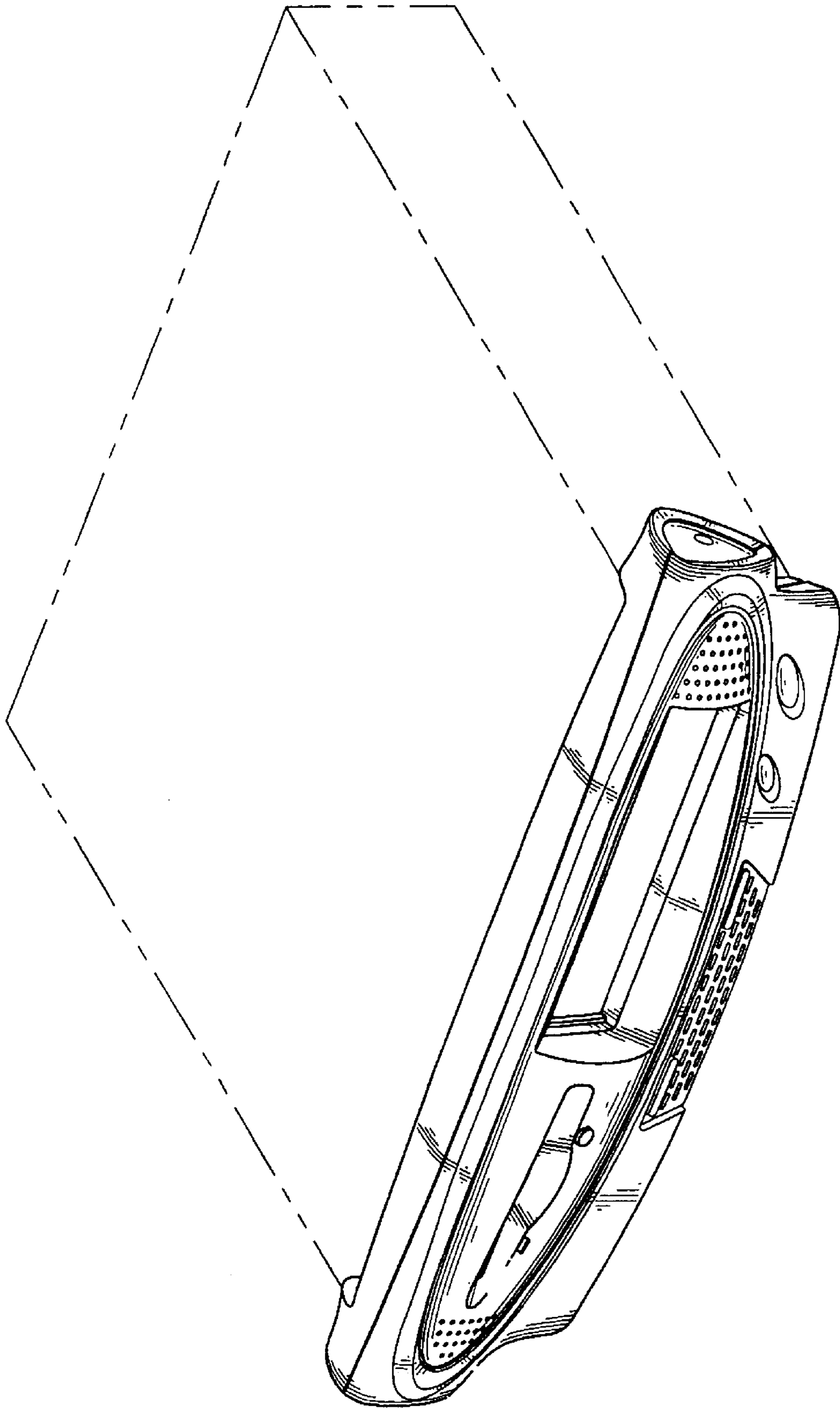


FIG. 8