



US00D450320B1

(12) **United States Design Patent**  
Neal et al.

(10) **Patent No.:** **US D450,320 S**

(45) **Date of Patent:** **\*\* Nov. 13, 2001**

(54) **DISPLAY MONITOR**

*Primary Examiner*—Freda Nunn

(75) Inventors: **Thomas S. Neal**, Cupertino; **Diane S. Palme**, San Carlos; **Andrew Zee**, San Carlos; **Jeffrey Allen Salazar**, Belmont; **Kenneth Douglas Wood**, Portola Valley, all of CA (US)

(57) **CLAIM**

The ornamental design for a display monitor, as shown and described.

(73) Assignee: **Hewlett-Packard Company**, Palo Alto, CA (US)

**DESCRIPTION**

(\*\*) Term: **14 Years**

FIG. 1 is a perspective view of a display monitor showing our new design;

(21) Appl. No.: **29/129,893**

FIG. 2 is a front elevation view thereof;

(22) Filed: **Sep. 22, 2000**

FIG. 3 is a rear elevation view thereof;

(51) **LOC (7) Cl.** ..... **14-02**

FIG. 4 is a right side elevation view thereof;

(52) **U.S. Cl.** ..... **D14/379**

FIG. 5 is a left side elevation view thereof;

(58) **Field of Search** ..... D14/371, 376, D14/377, 379, 382, 126-129; 248/917-924; 345/104, 133, 156, 168, 173, 87; 348/180, 184, 325, 739; 349/1, 2, 11, 62

FIG. 6 is a top plan elevation view thereof;

FIG. 7 is a bottom plan view thereof;

FIG. 8 is a perspective view of a second embodiment of a display monitor showing our new design;

(56) **References Cited**

**U.S. PATENT DOCUMENTS**

- D. 278,910 \* 5/1985 Moriconi ..... D14/371
- D. 279,010 \* 5/1985 Ceradelli et al. .... D14/377
- D. 286,641 \* 11/1986 Gundogan ..... D14/379
- D. 413,869 \* 6/1999 Jung ..... D14/379
- D. 418,493 \* 1/2000 Jobs et al. .... D14/371

FIG. 9 is a front elevation view of the second embodiment;

FIG. 10 is a rear elevation view of the second embodiment;

FIG. 11 is a right side elevation view of the second embodiment;

FIG. 12 is a left side elevation view of the second embodiment;

FIG. 13 is a top plan view of the second embodiment; and,

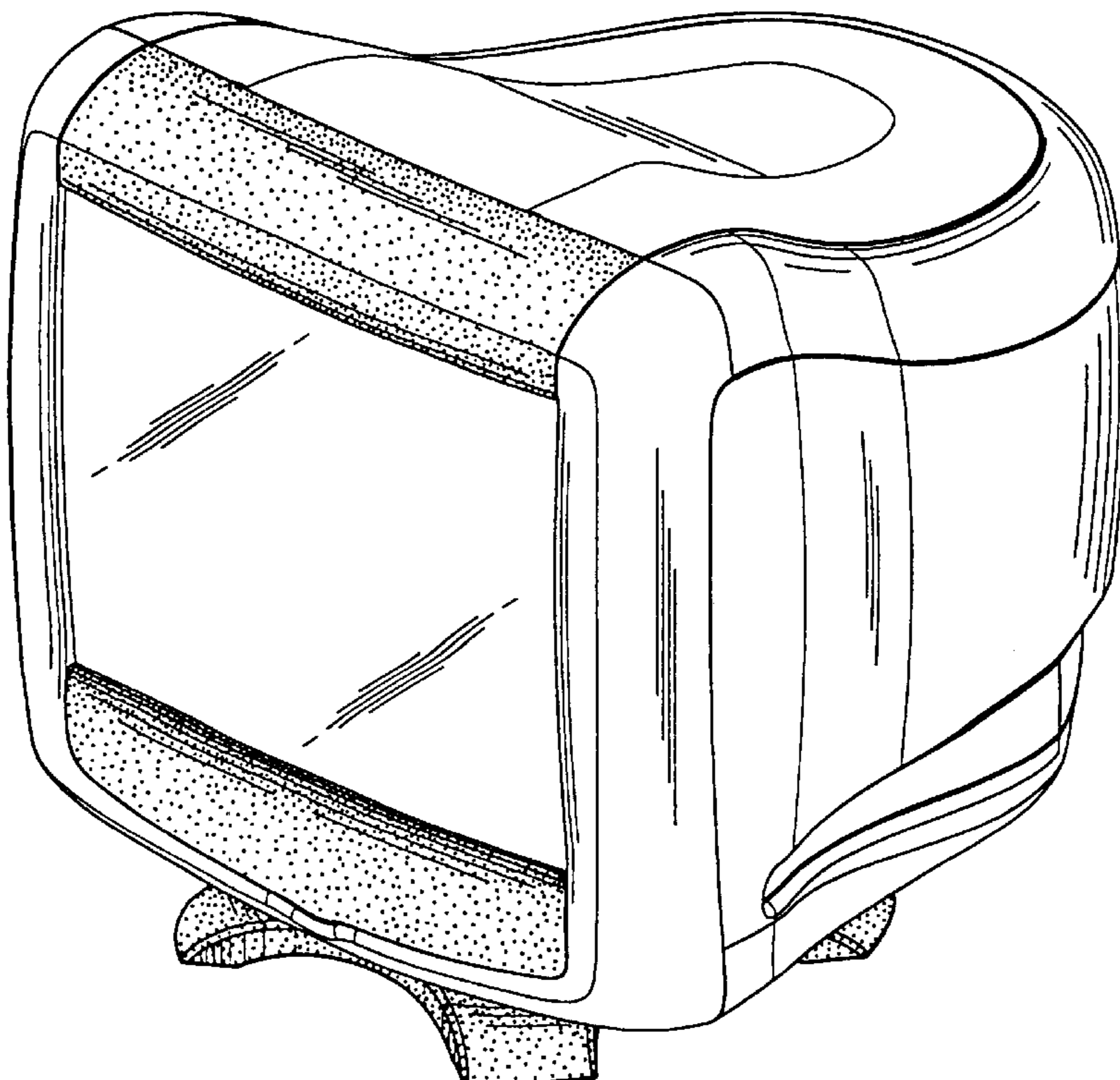
FIG. 14 is a bottom plan view of the second embodiment.

In FIGS. 8-14 the areas including stipple shading have a different contrasting color as compared to the areas that do not include stipple shading.

The broken lines are shown in the views for illustrative purposes only and form no part of the claimed design.

\* cited by examiner

**1 Claim, 14 Drawing Sheets**



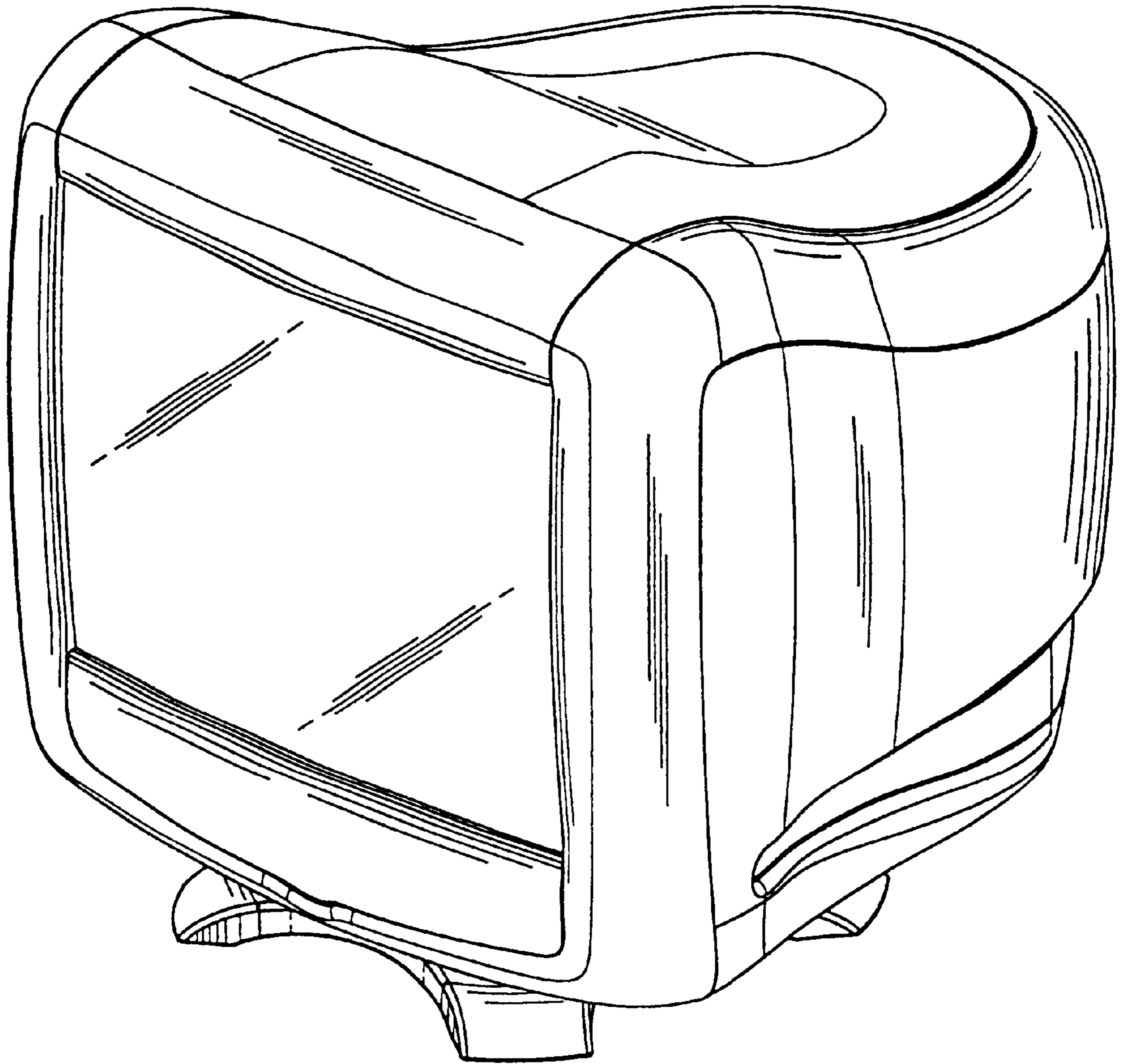


Fig. 1

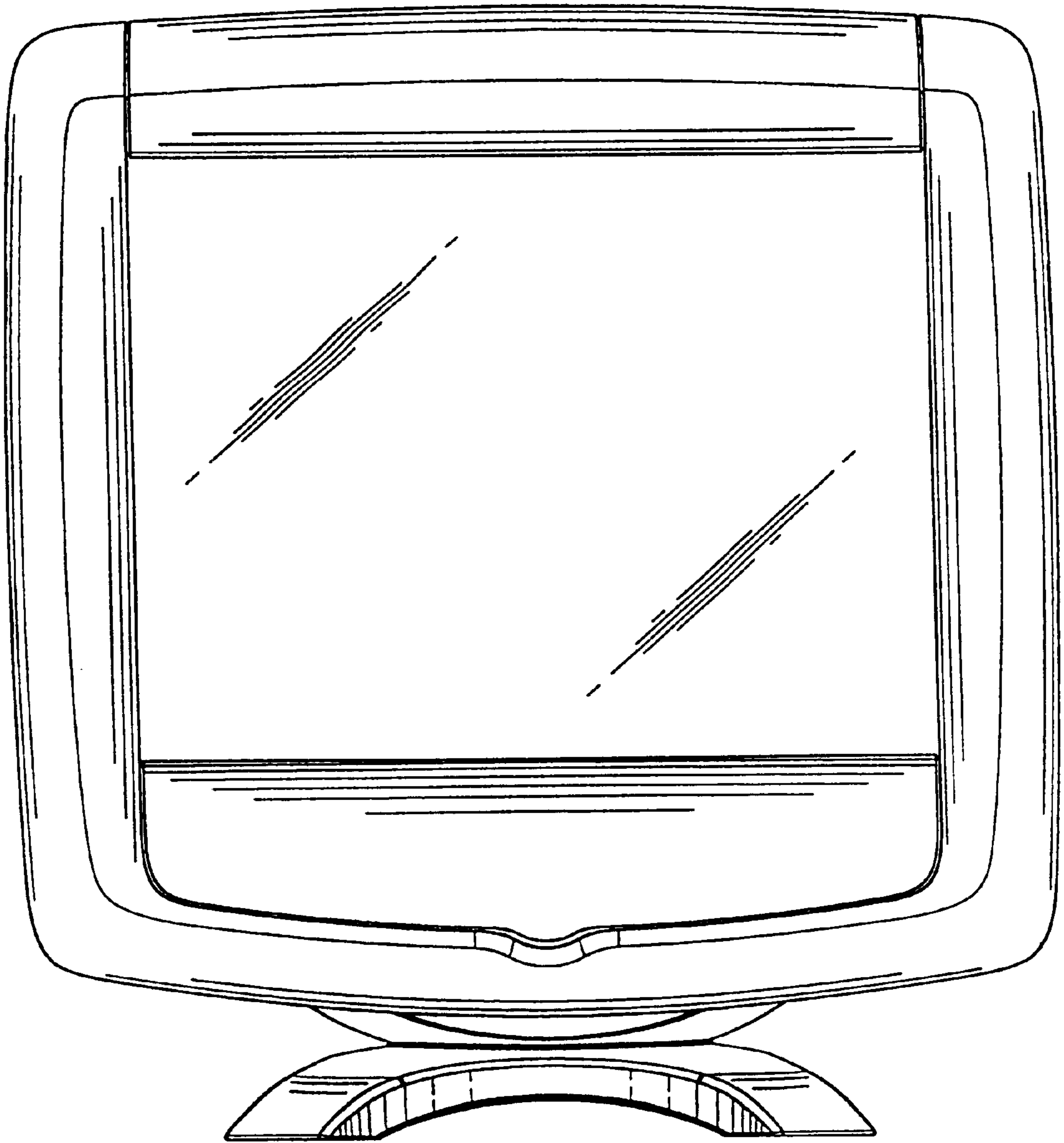


Fig. 2

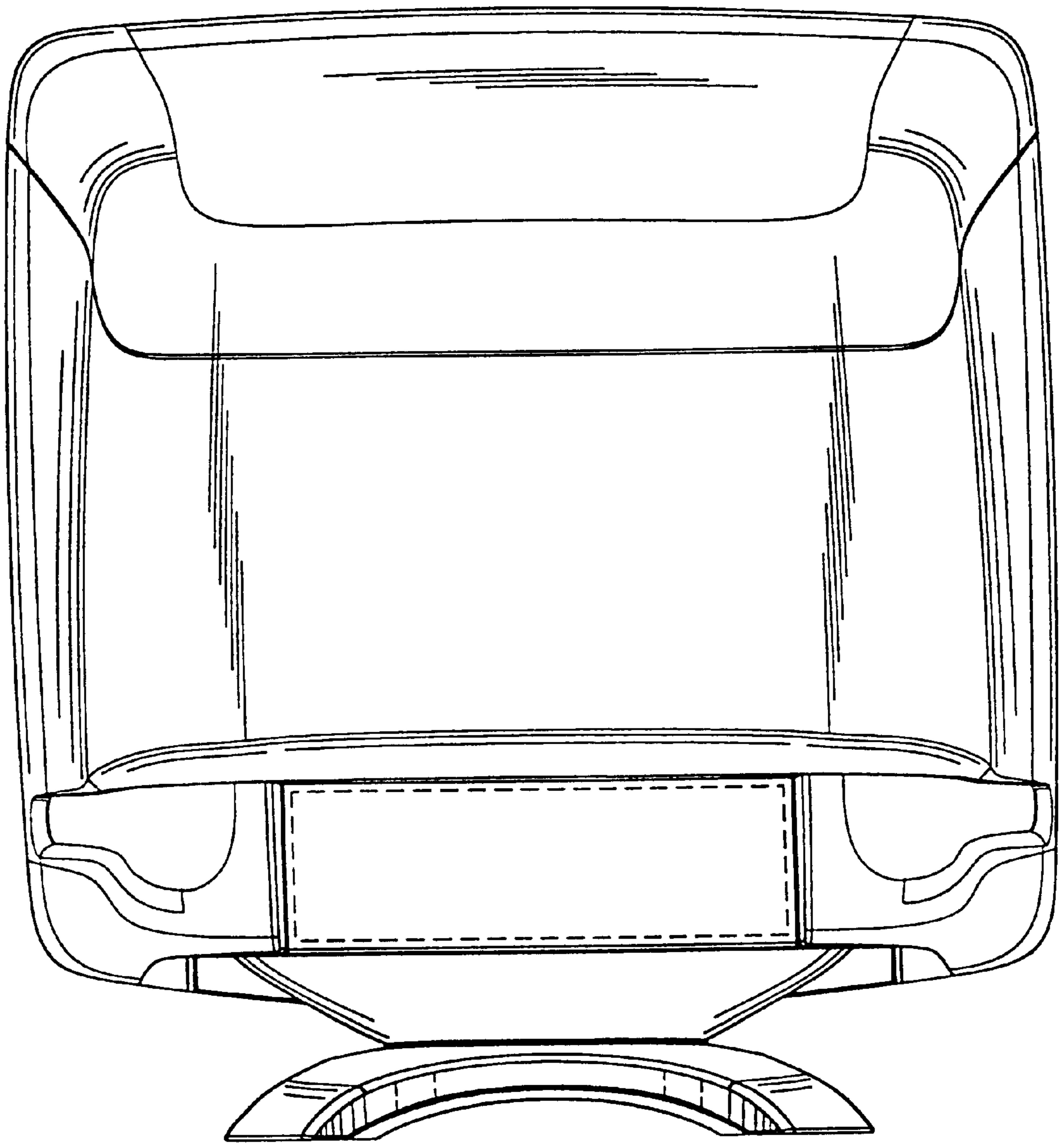


Fig. 3

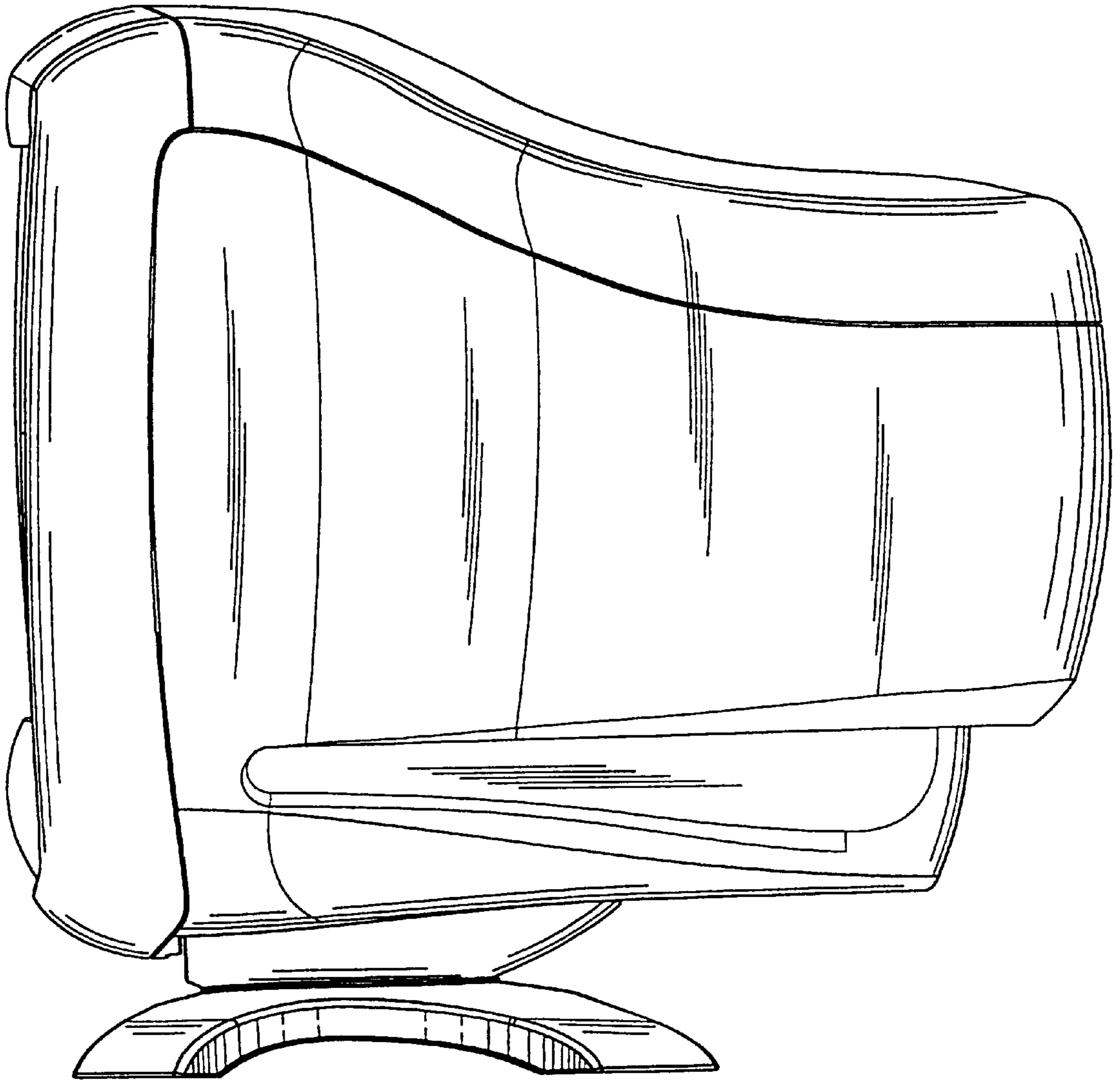


Fig. 4

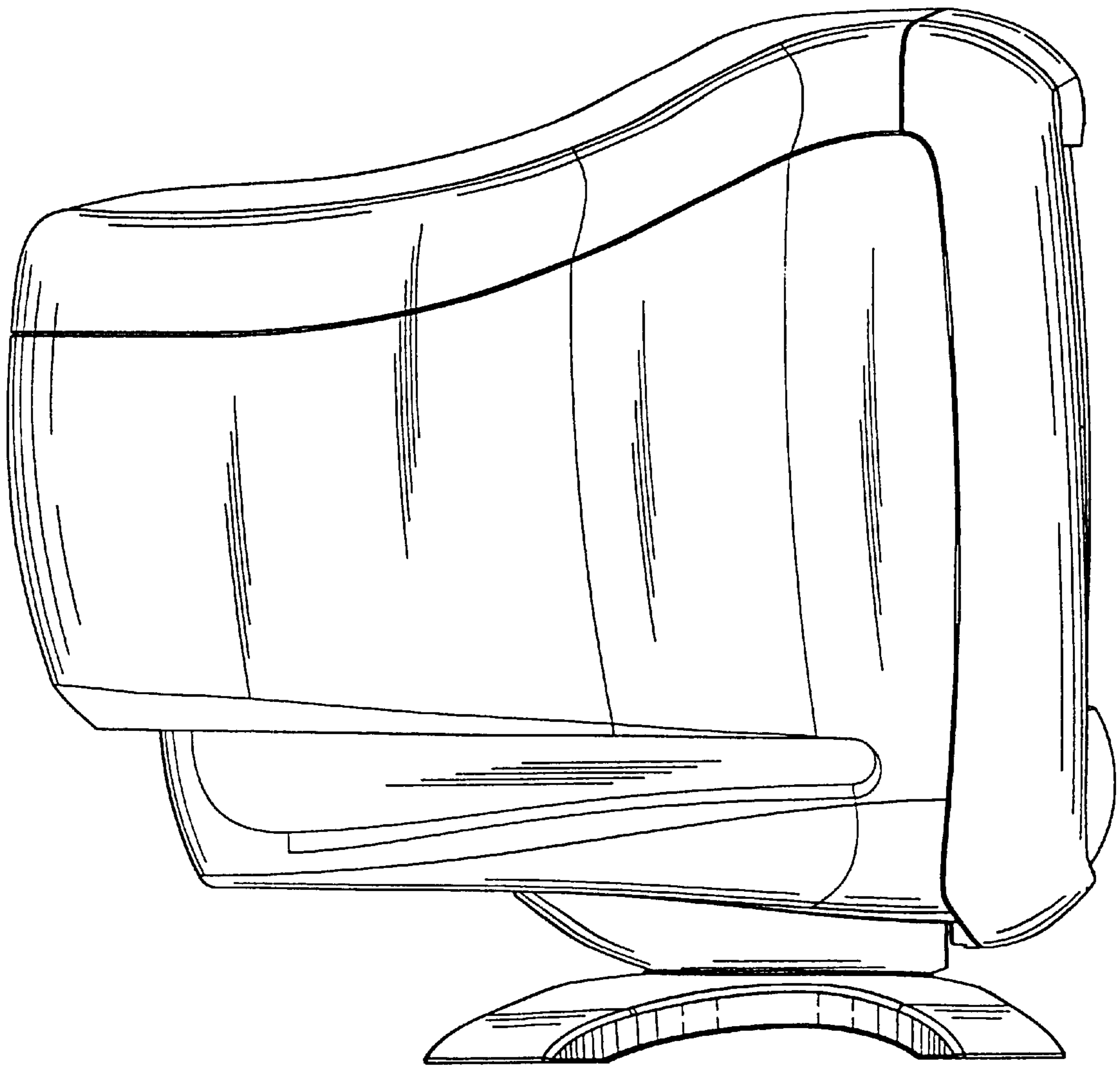


Fig. 5

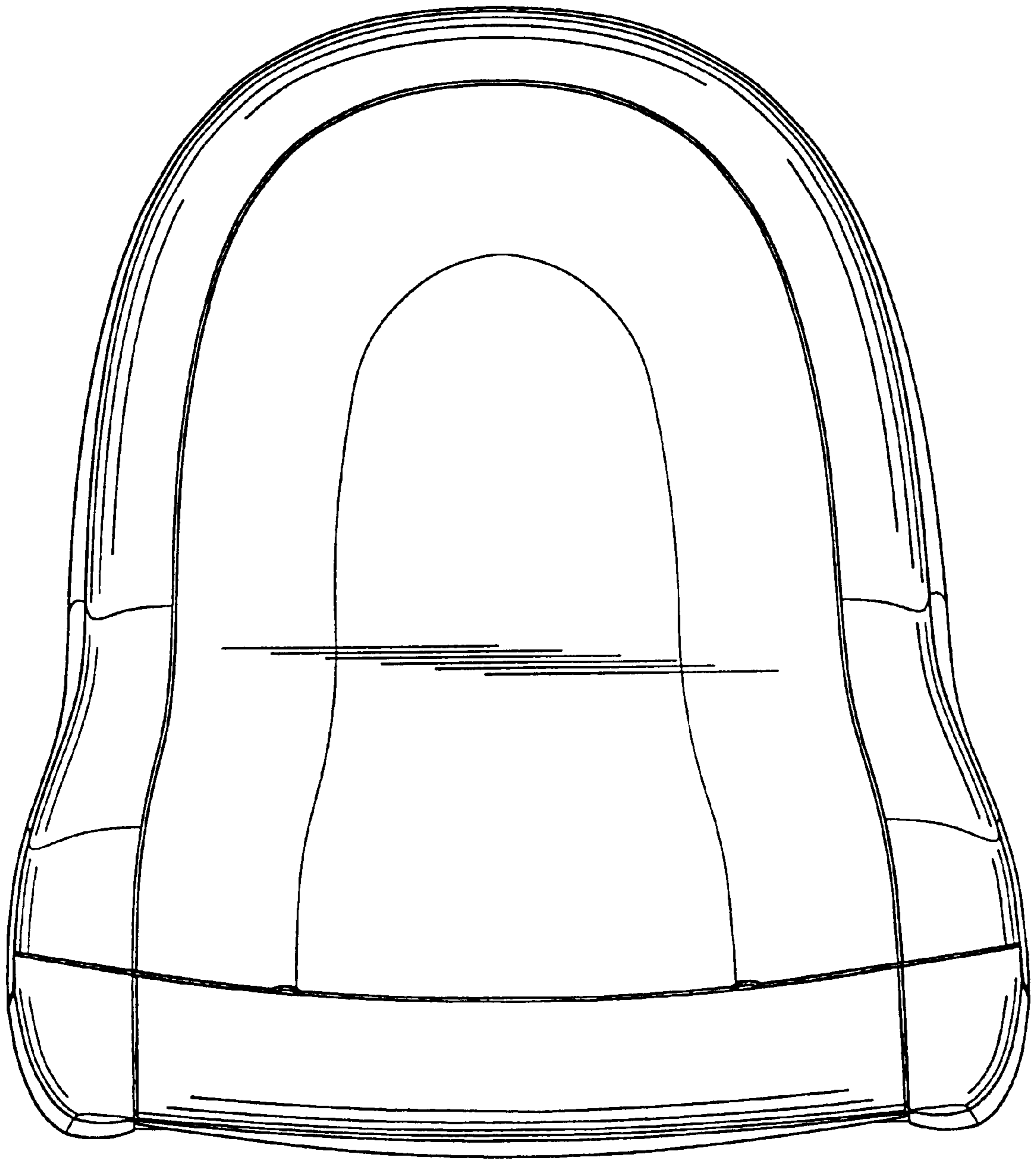


Fig. 6

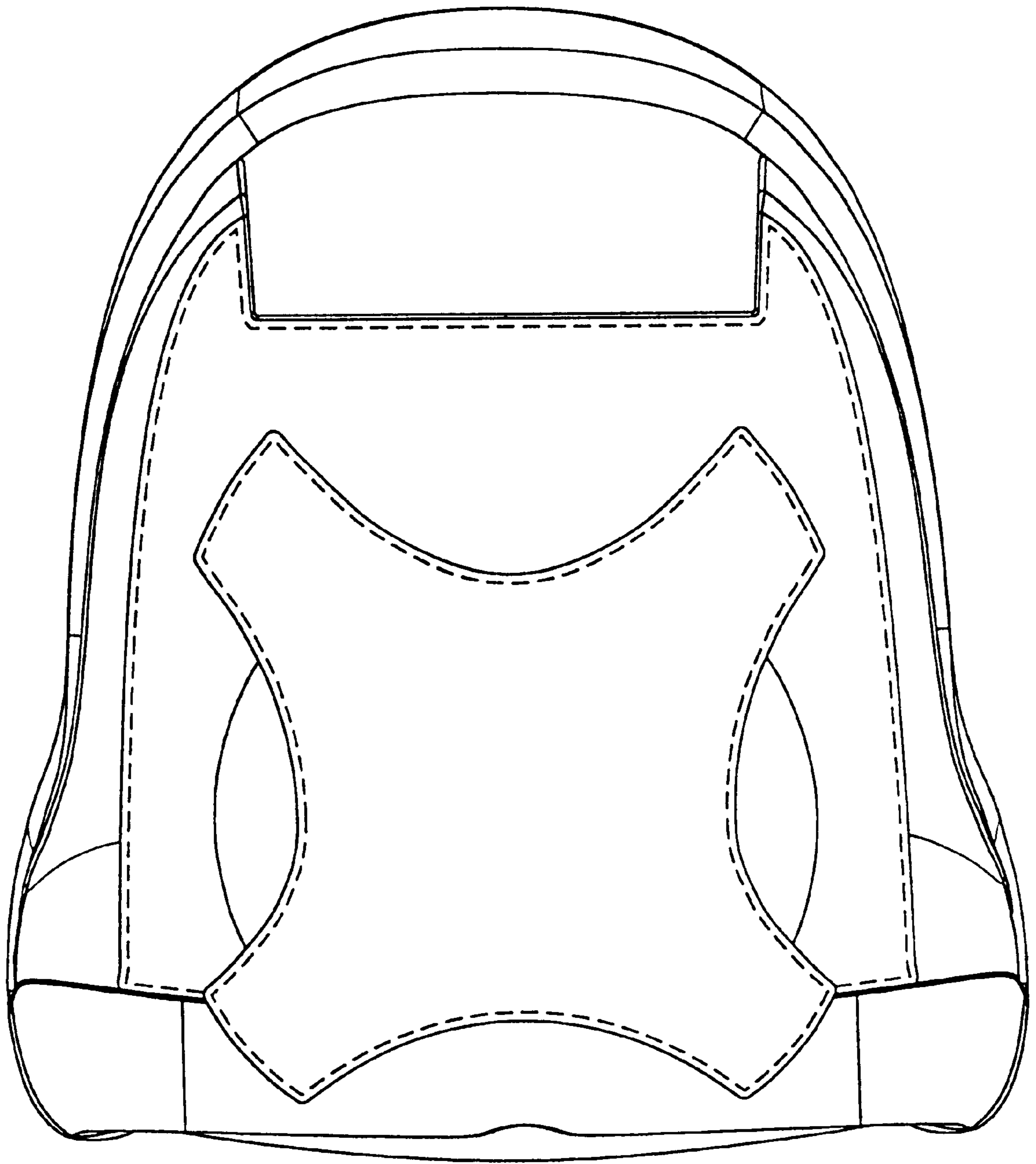


Fig. 7



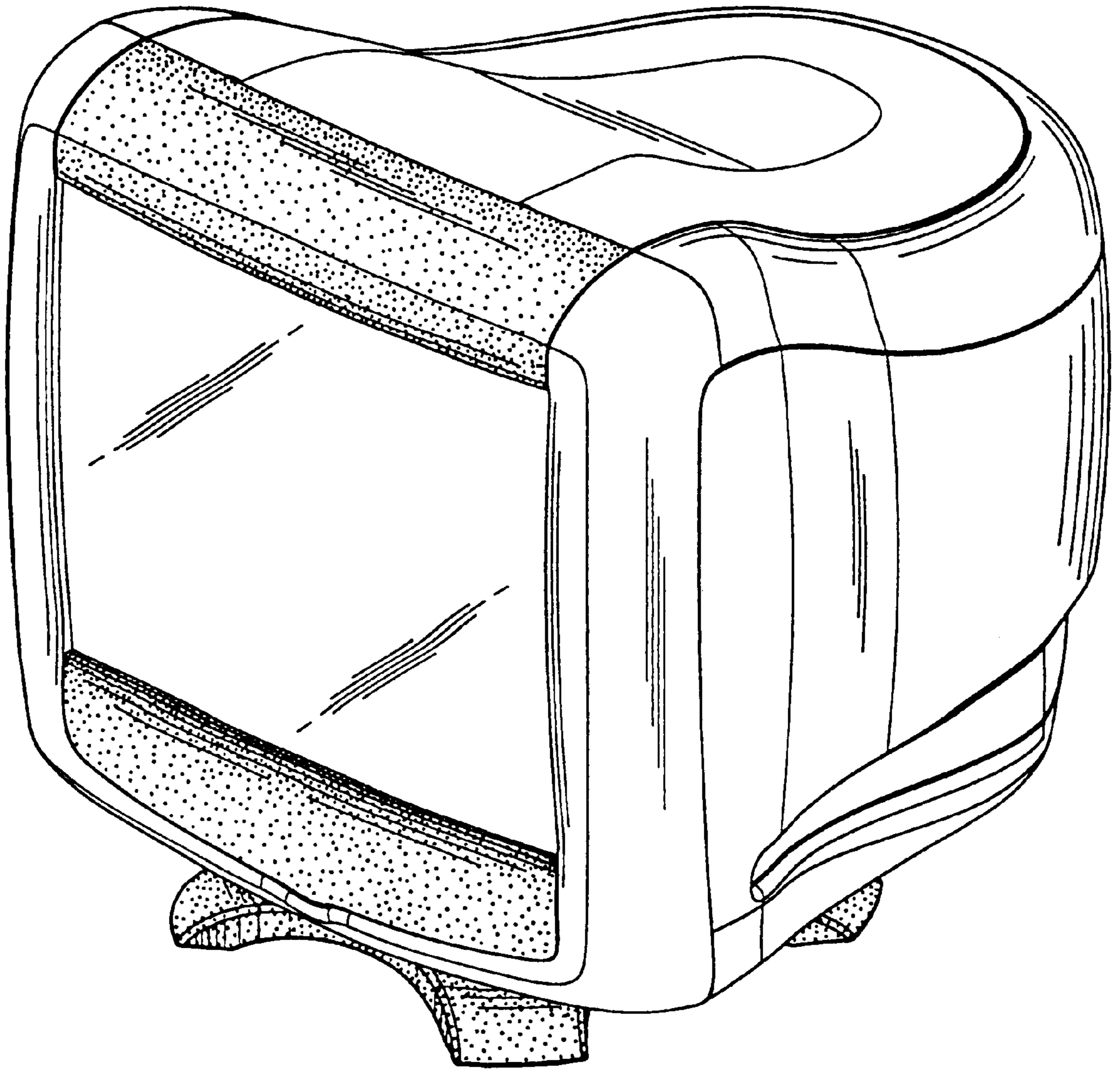


Fig. 8

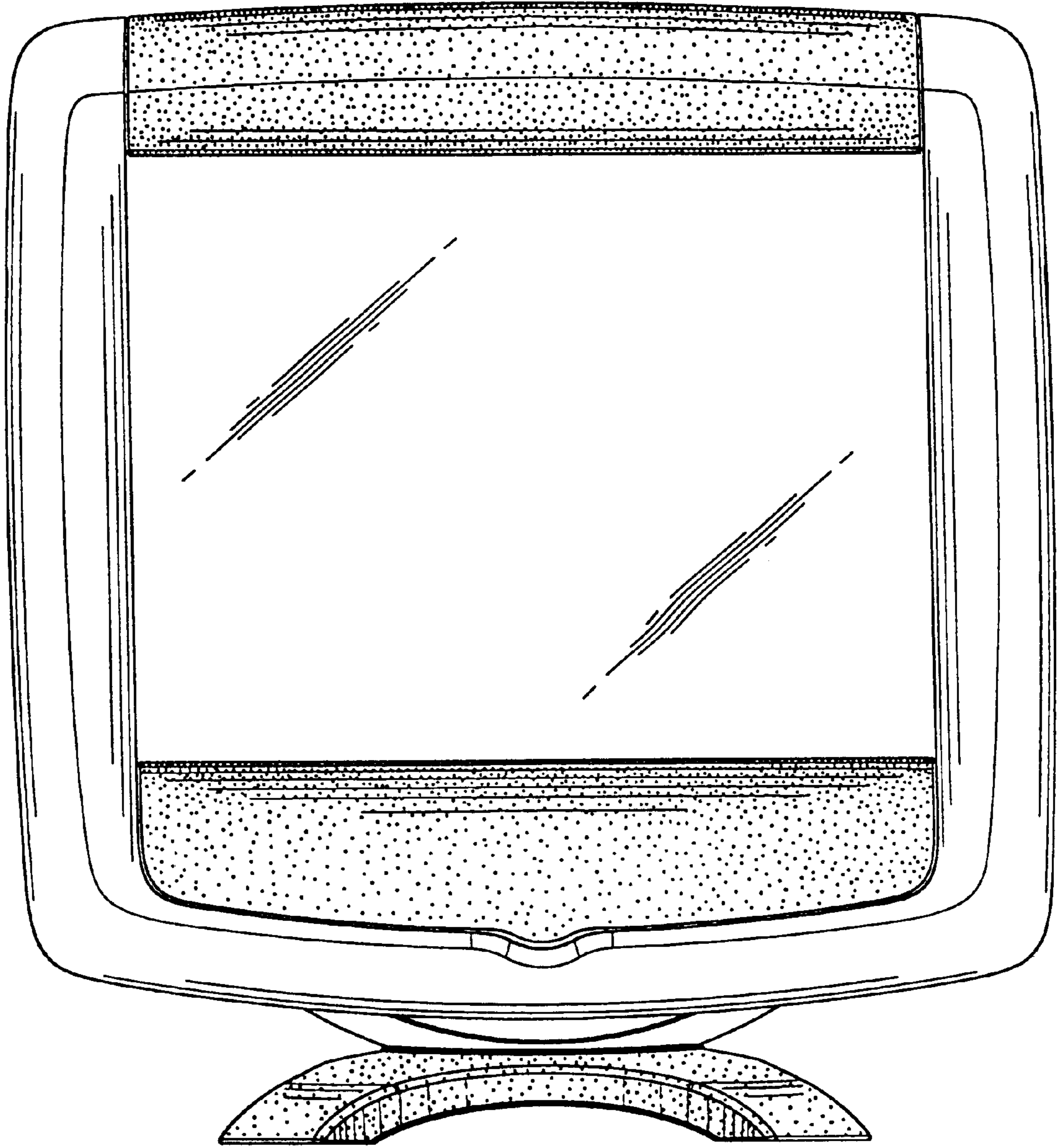


Fig. 9

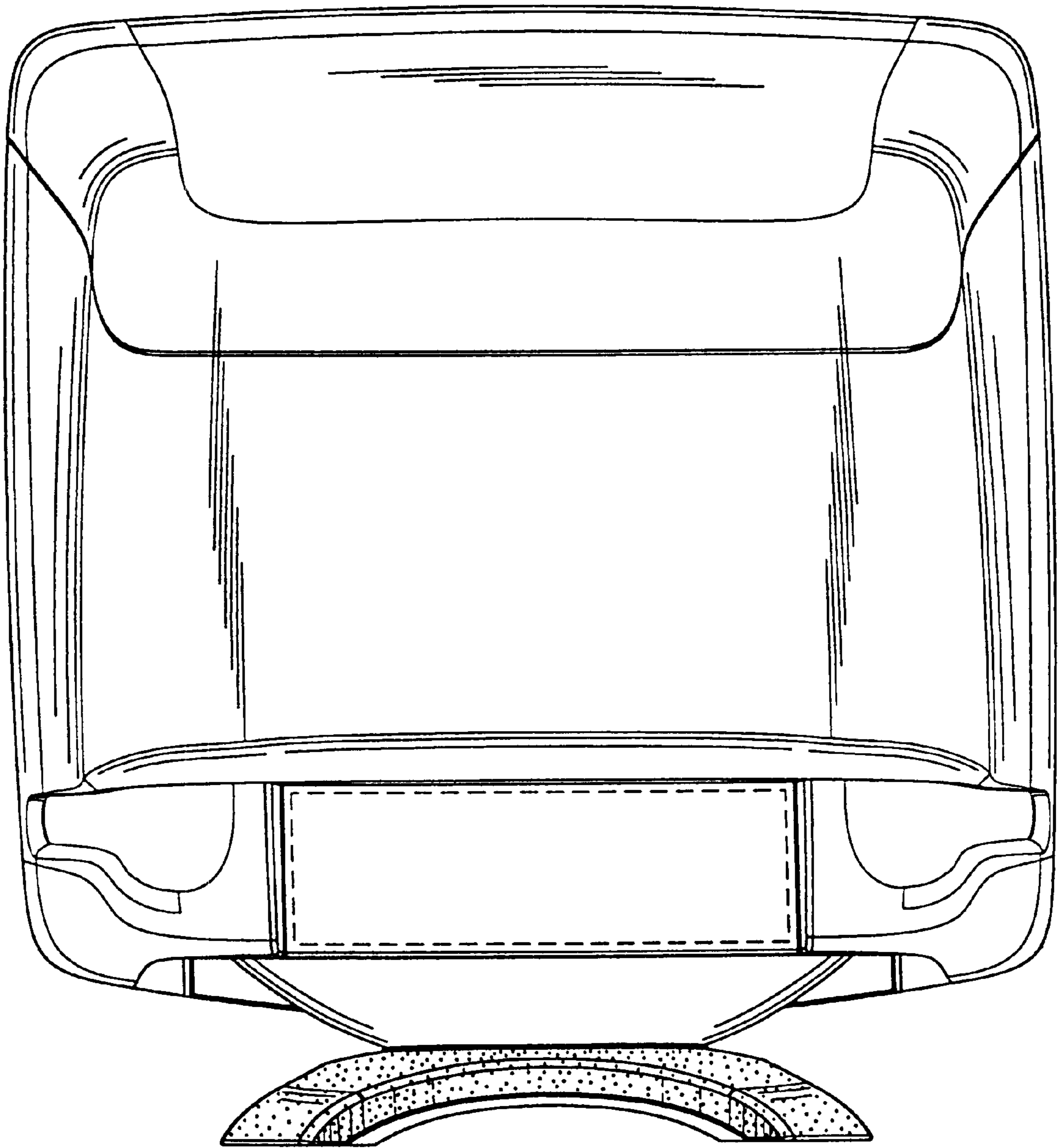


Fig. 10

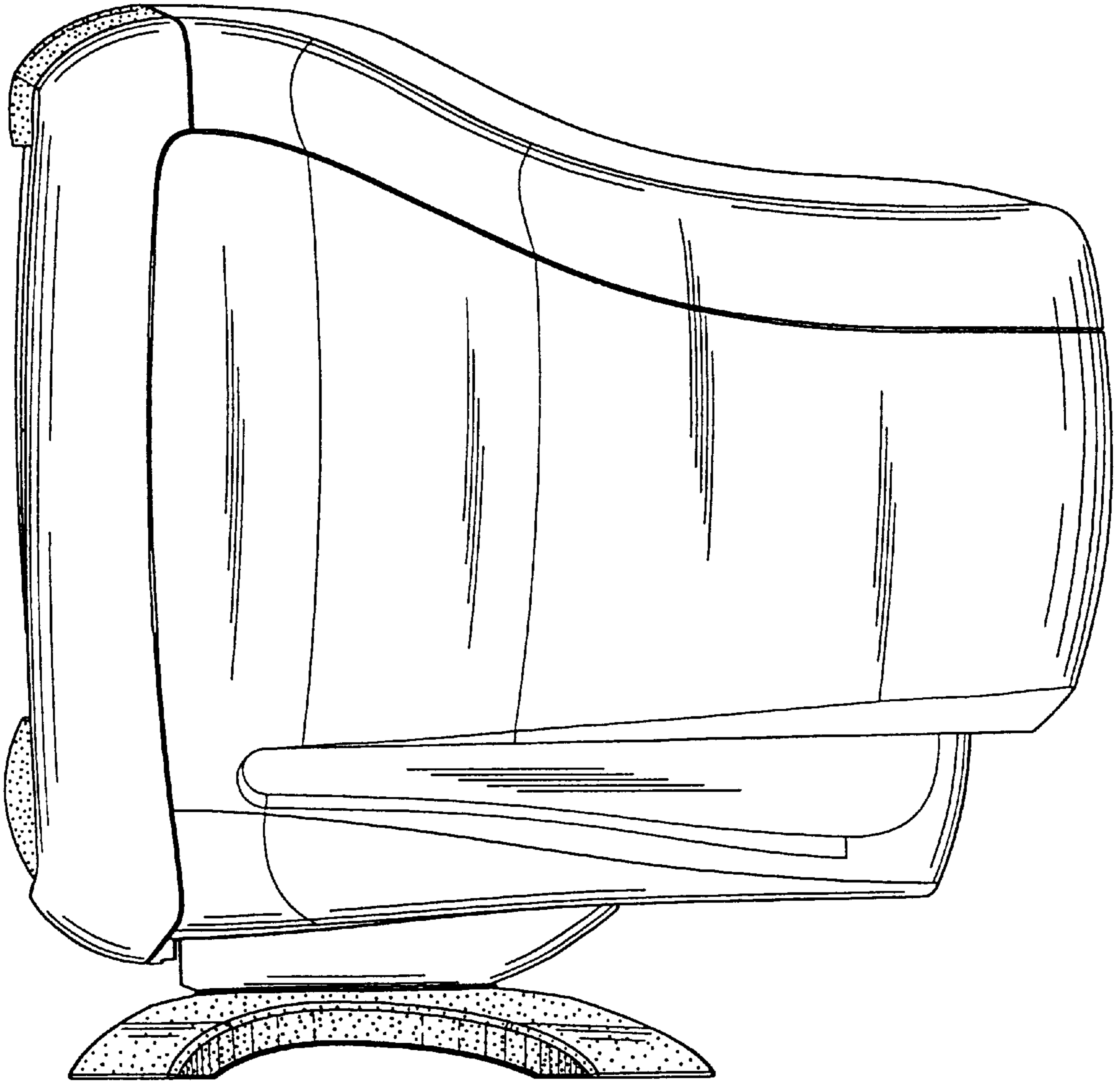


Fig. 11

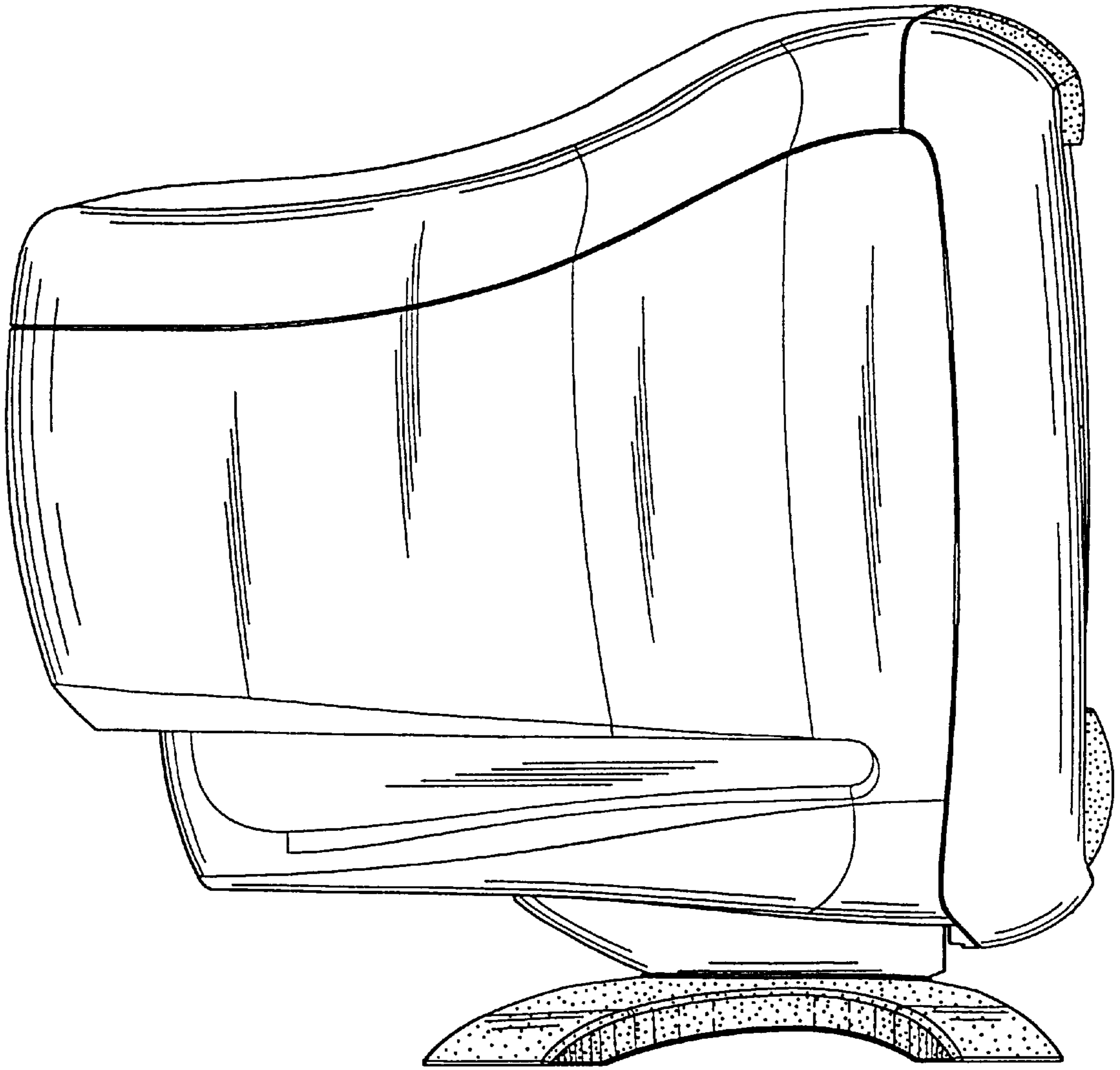


Fig. 12

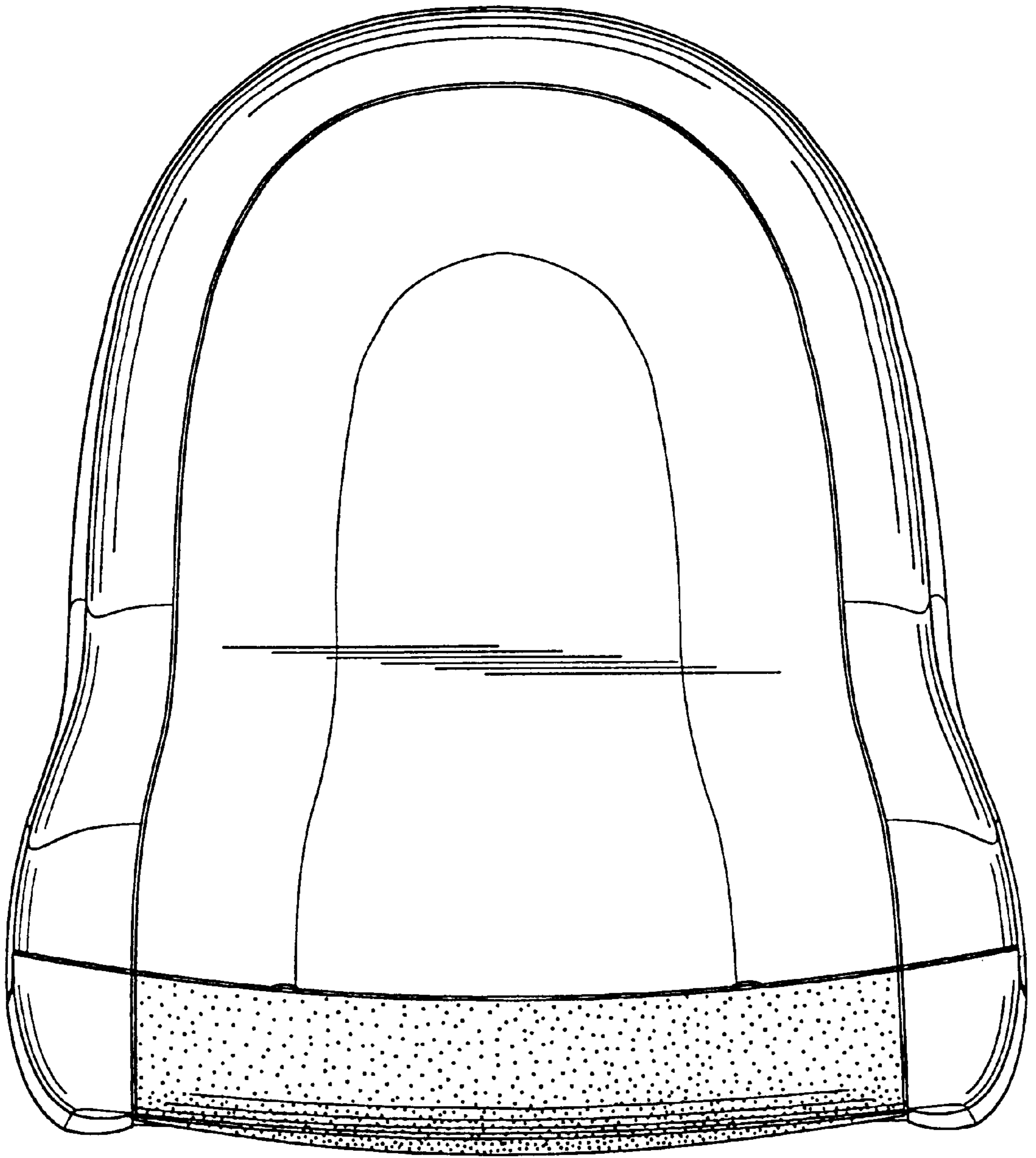


Fig. 13

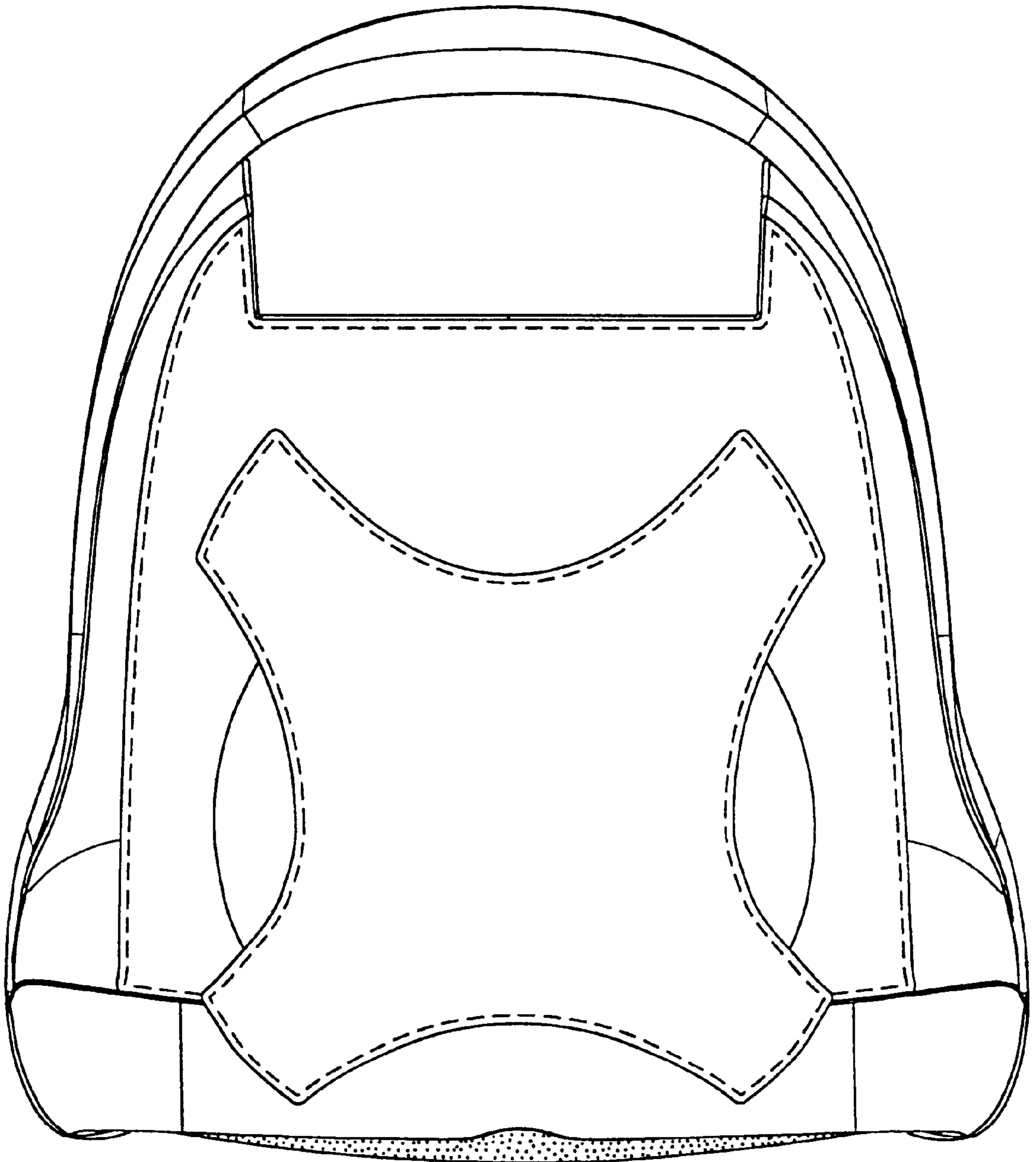


Fig. 14