



US00D450319B1

(12) **United States Design Patent**  
**Sumii et al.**

(10) **Patent No.:** **US D450,319 S**

(45) **Date of Patent:** **\*\* Nov. 13, 2001**

(54) **MONITOR**

D. 416,890 11/1999 Matsuoka ..... D14/126  
D. 426,528 6/2000 Takagi et al. .... D14/129

(75) Inventors: **Tetsu Sumii**, Tokyo (JP); **Phillip Mark Rose**; **Simon John Bradford**, both of Surrey (GB)

**OTHER PUBLICATIONS**

Catalog "95", p. 41, Sony, Jul. 2000.

(73) Assignee: **Sony Corporation**, Tokyo (JP)

\* cited by examiner

(\*\*) Term: **14 Years**

*Primary Examiner*—Freda Nunn

(21) Appl. No.: **29/131,705**

(74) *Attorney, Agent, or Firm*—Rader, Fishman & Grauer, PLLC

(22) Filed: **Oct. 27, 2000**

(57) **CLAIM**

(51) **LOC (7) Cl.** ..... **14-02**

The ornamental design for a monitor, as shown and described.

(52) **U.S. Cl.** ..... **D14/371**

(58) **Field of Search** ..... D14/371, 376,  
D14/377, 379, 382, 126-129; 345/104,  
133, 156, 168, 173; 349/1, 2, 11, 62; 348/180,  
184, 325, 739; 248/918-924

**DESCRIPTION**

(56) **References Cited**

FIG. 1 is a top, front, and right side perspective view of a monitor showing our new design;  
FIG. 2 is a top plan view thereof;  
FIG. 3 is a front elevational view thereof;  
FIG. 4 is a right side elevational view thereof;  
FIG. 5 is a rear elevational view thereof;  
FIG. 6 is a bottom plan view thereof; and,  
FIG. 7 is a left side elevational view thereof.

**U.S. PATENT DOCUMENTS**

D. 280,989 \* 10/1985 Cridland et al. .... D14/371  
D. 344,075 \* 2/1994 Althans et al. .... D14/379  
D. 388,407 \* 12/1997 Toulis et al. .... D14/382  
D. 400,200 10/1998 Yamazaki ..... D14/130

**1 Claim, 4 Drawing Sheets**

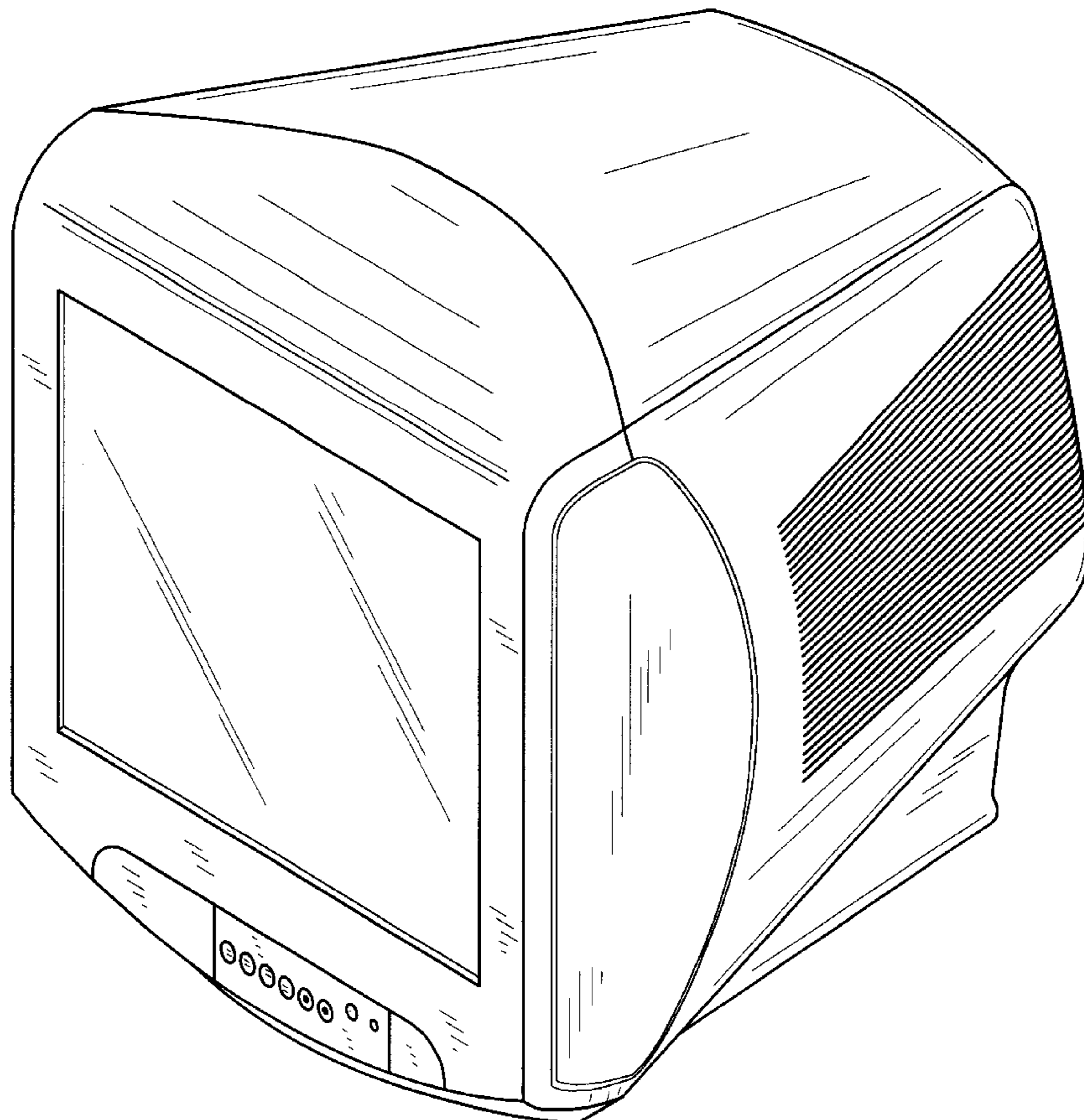


FIG. 1

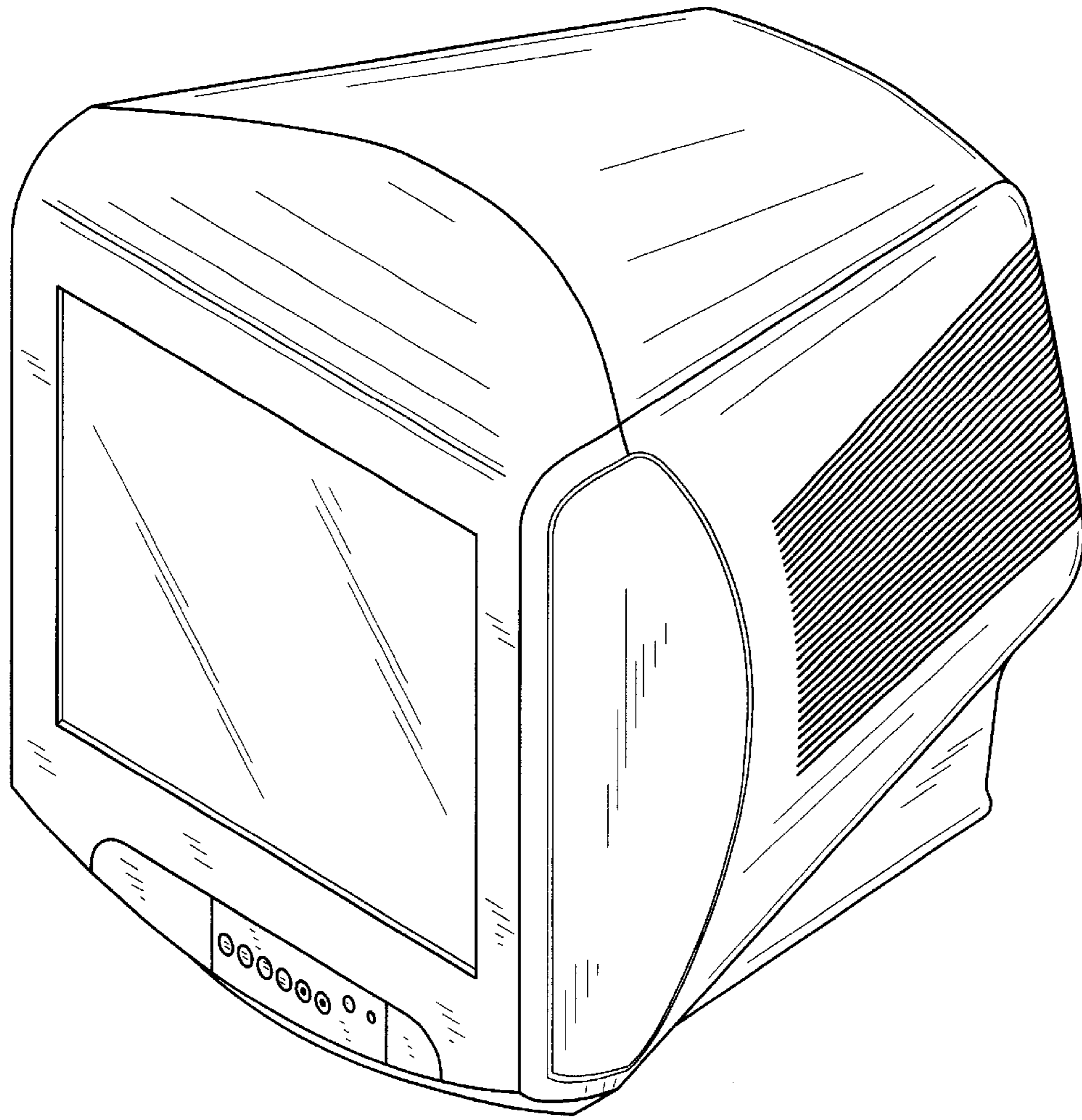


FIG. 2

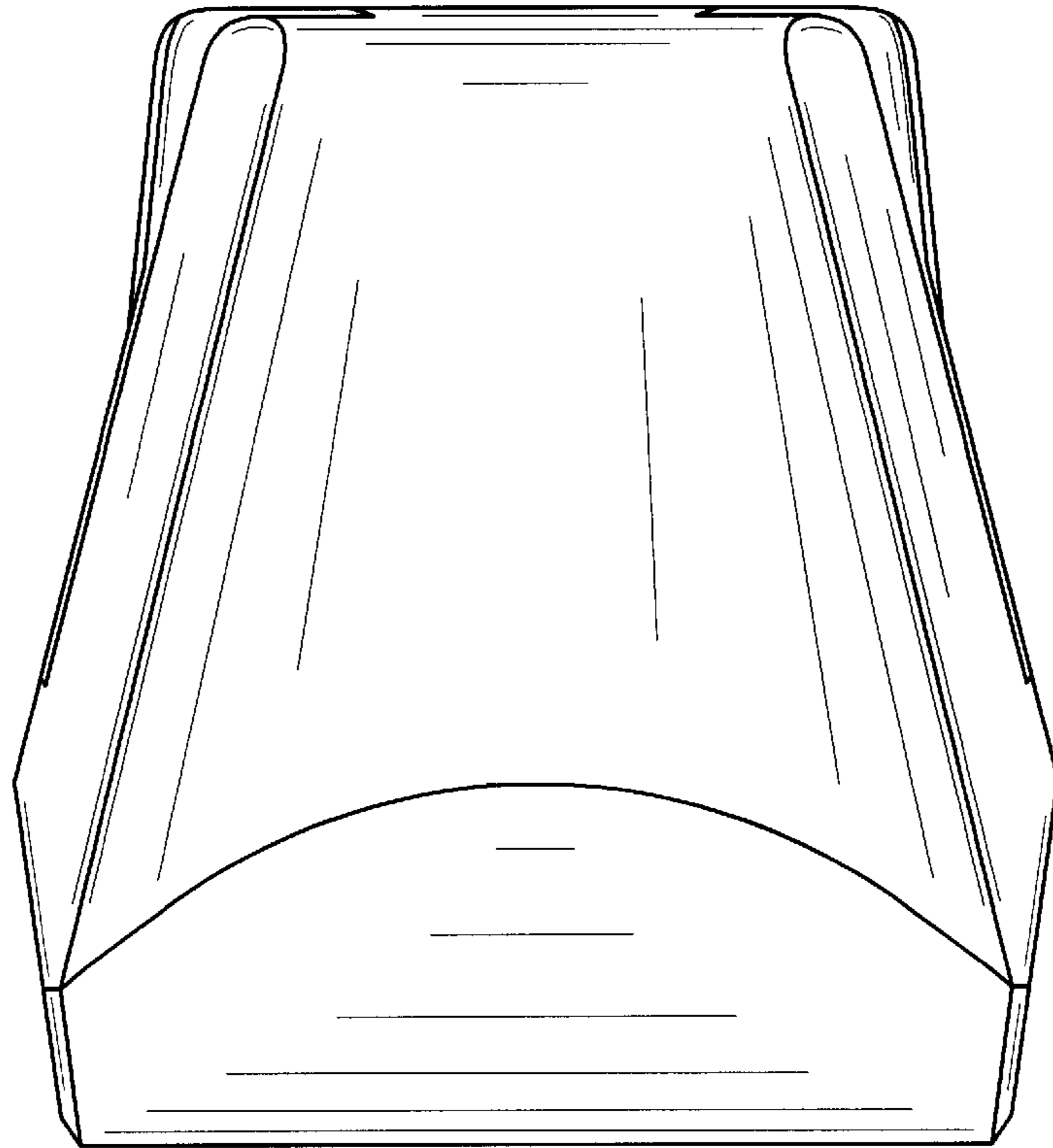


FIG. 3

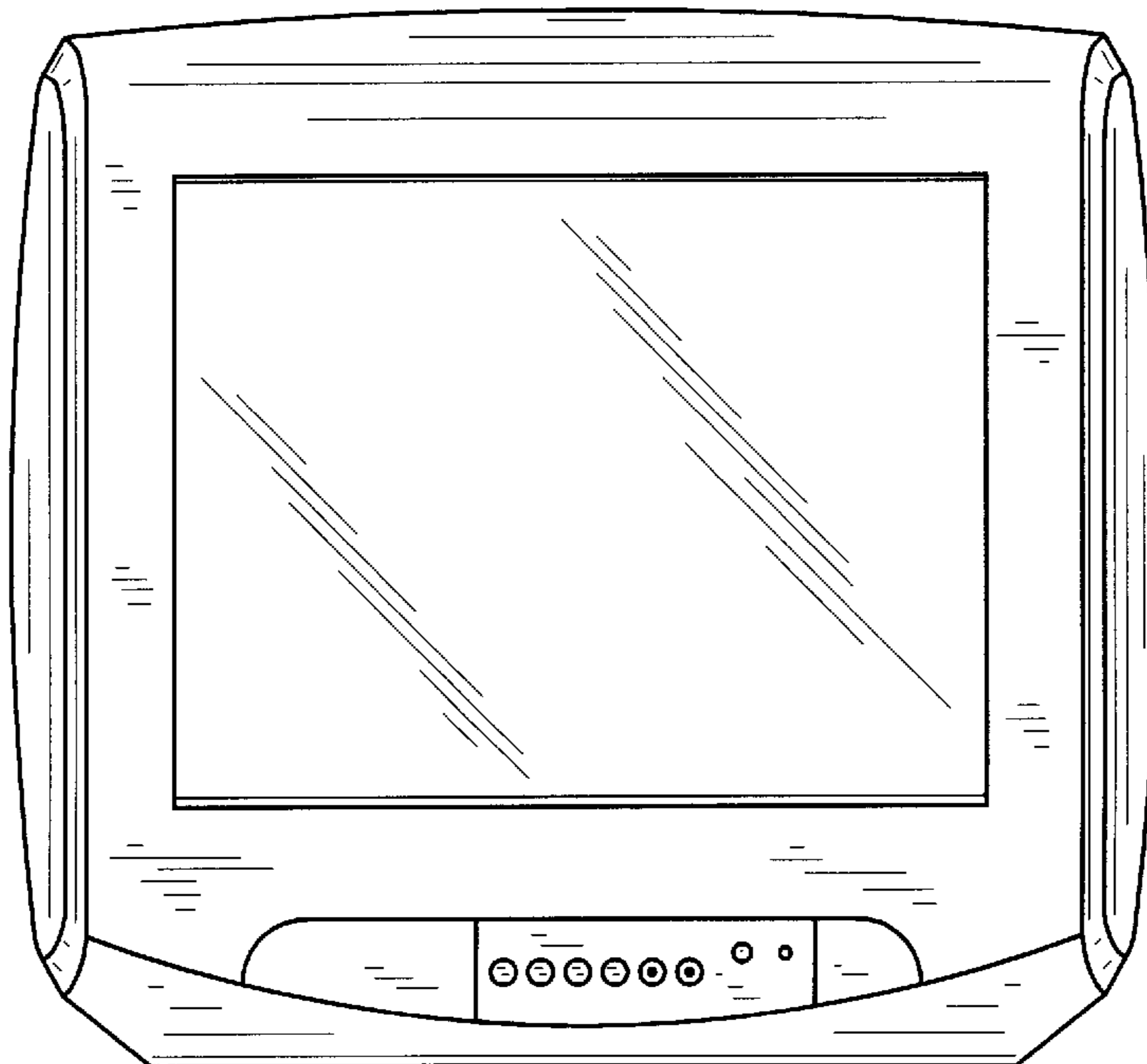


FIG. 4

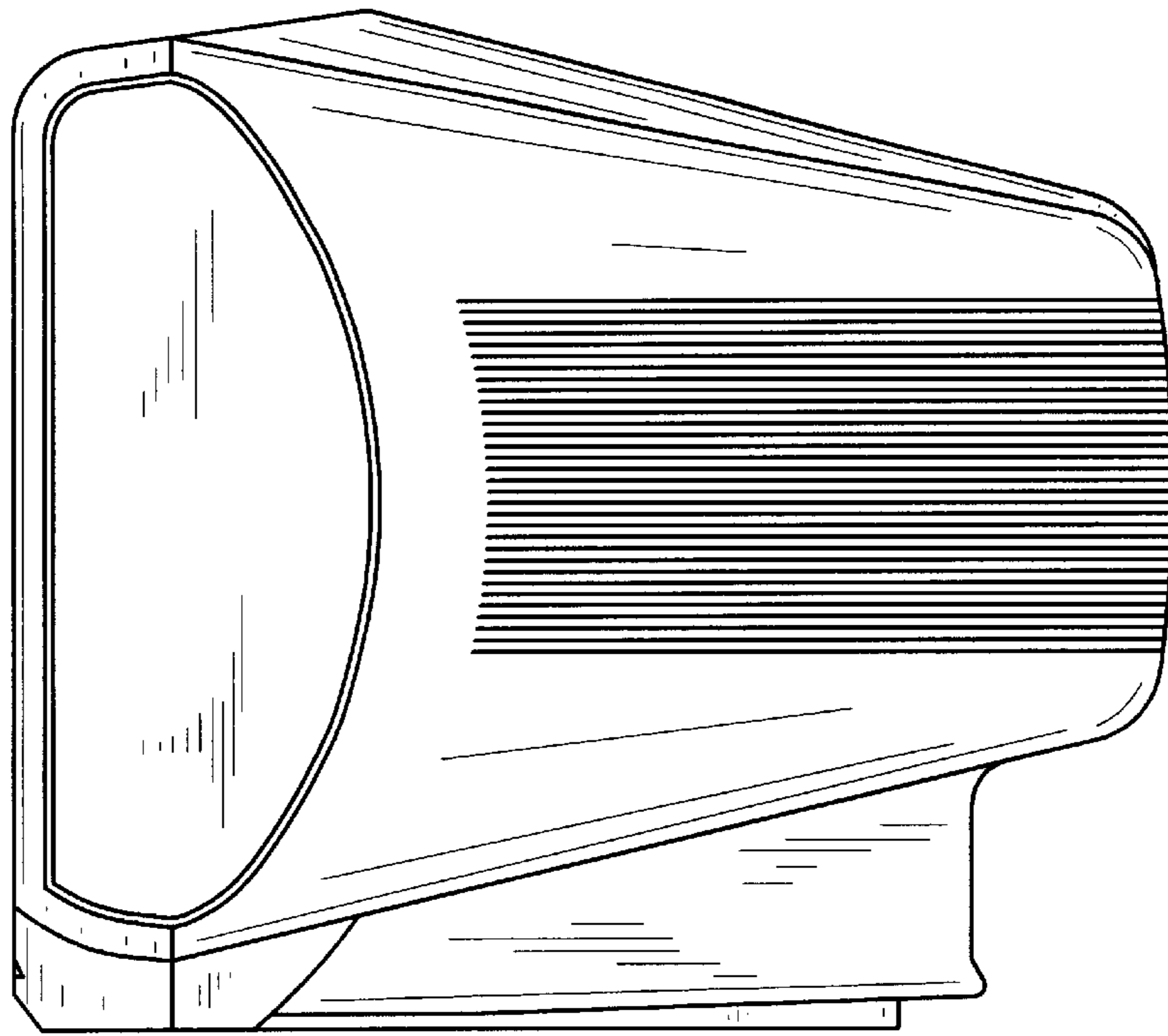


FIG. 5

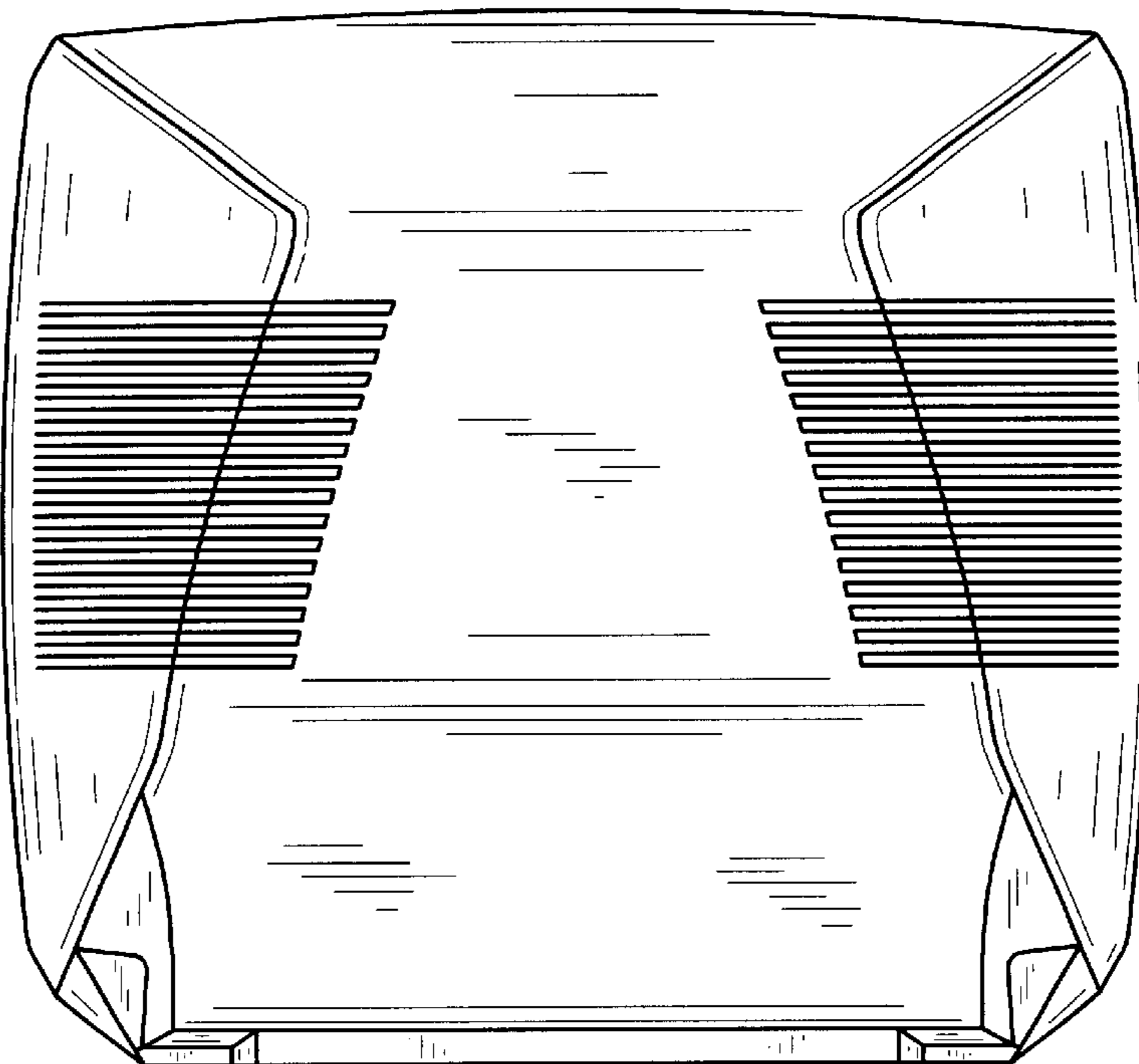


FIG. 6

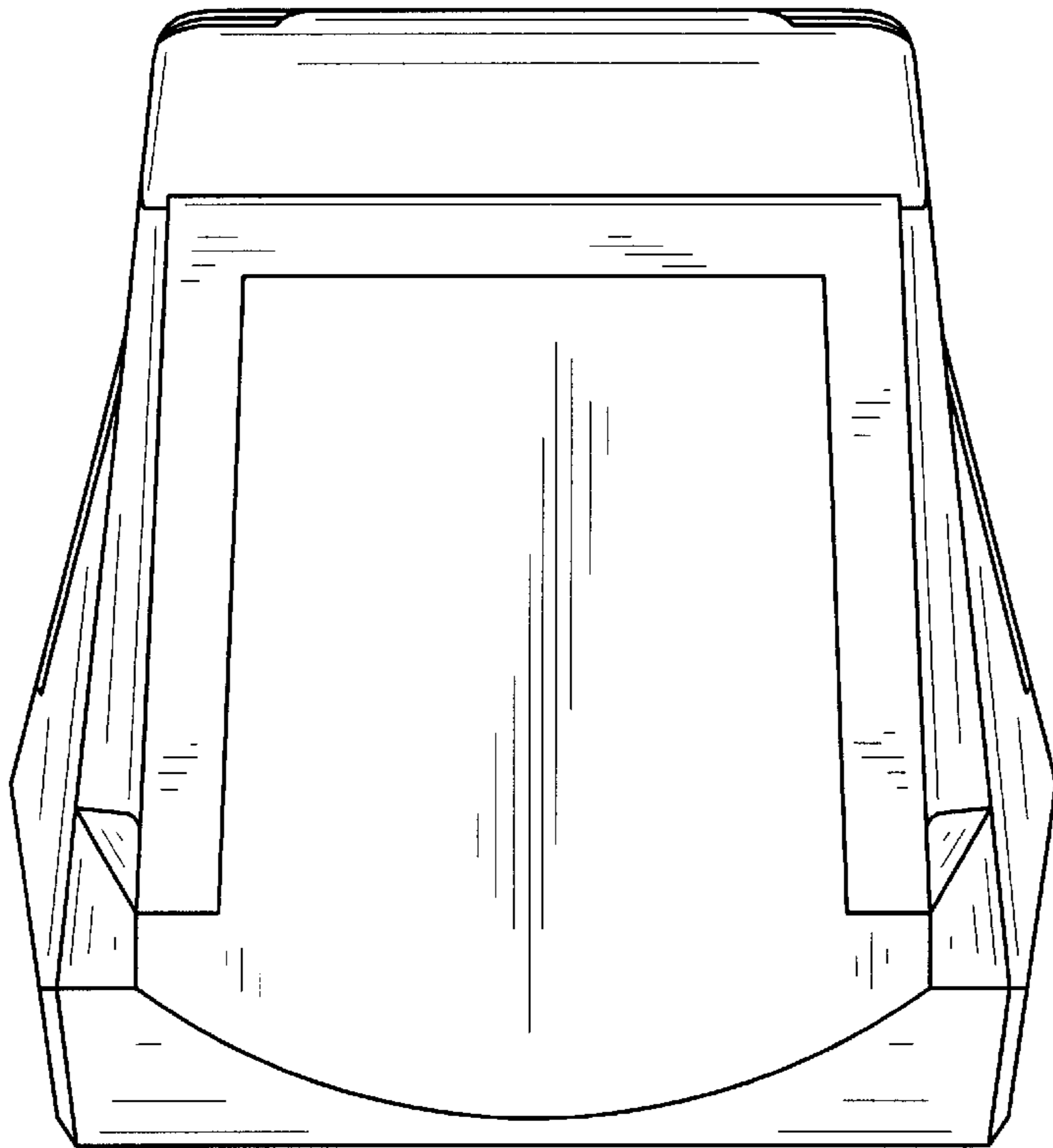


FIG. 7

