



US00D450317B1

(12) **United States Design Patent**
Uehara

(10) **Patent No.:** **US D450,317 S**

(45) **Date of Patent:** **** Nov. 13, 2001**

(54) **COMBINED DISC PLAYER AND RADIO RECEIVER**

(75) Inventor: **Mitsuhiro Uehara**, Tokyo (JP)

(73) Assignee: **Sony Corporation**, Tokyo (JP)

(**) Term: **14 Years**

(21) Appl. No.: **29/134,864**

(22) Filed: **Jan. 3, 2001**

(51) **LOC (7) Cl.** **14-99**

(52) **U.S. Cl.** **D14/257; D14/168**

(58) **Field of Search** D14/135-136,
D14/156-157, 160, 162, 164, 168, 188,
197-198, 257-258, 265; 369/75.1, 75.2,
77.1, 77.2; 455/344, 347, 350-351

(56) **References Cited**

U.S. PATENT DOCUMENTS

D. 411,996	*	7/1999	Yamazaki	D14/168
D. 414,776		10/1999	Shintani et al.	.	
D. 416,264	*	11/1999	Althans et al.	D14/257
D. 418,518	*	1/2000	Storti et al.	D14/257
5,848,042	*	12/1998	Takahashi et al.	369/75.1
5,953,302	*	9/1999	Kobayashi	369/75.1

OTHER PUBLICATIONS

Catalog "Sony Mobile", 3 sheets, Sony Corporation, Spring/2000.

* cited by examiner

Primary Examiner—Nanda Bondade

(74) *Attorney, Agent, or Firm*—Rader, Fishman & Grauer, PLLC

(57) **CLAIM**

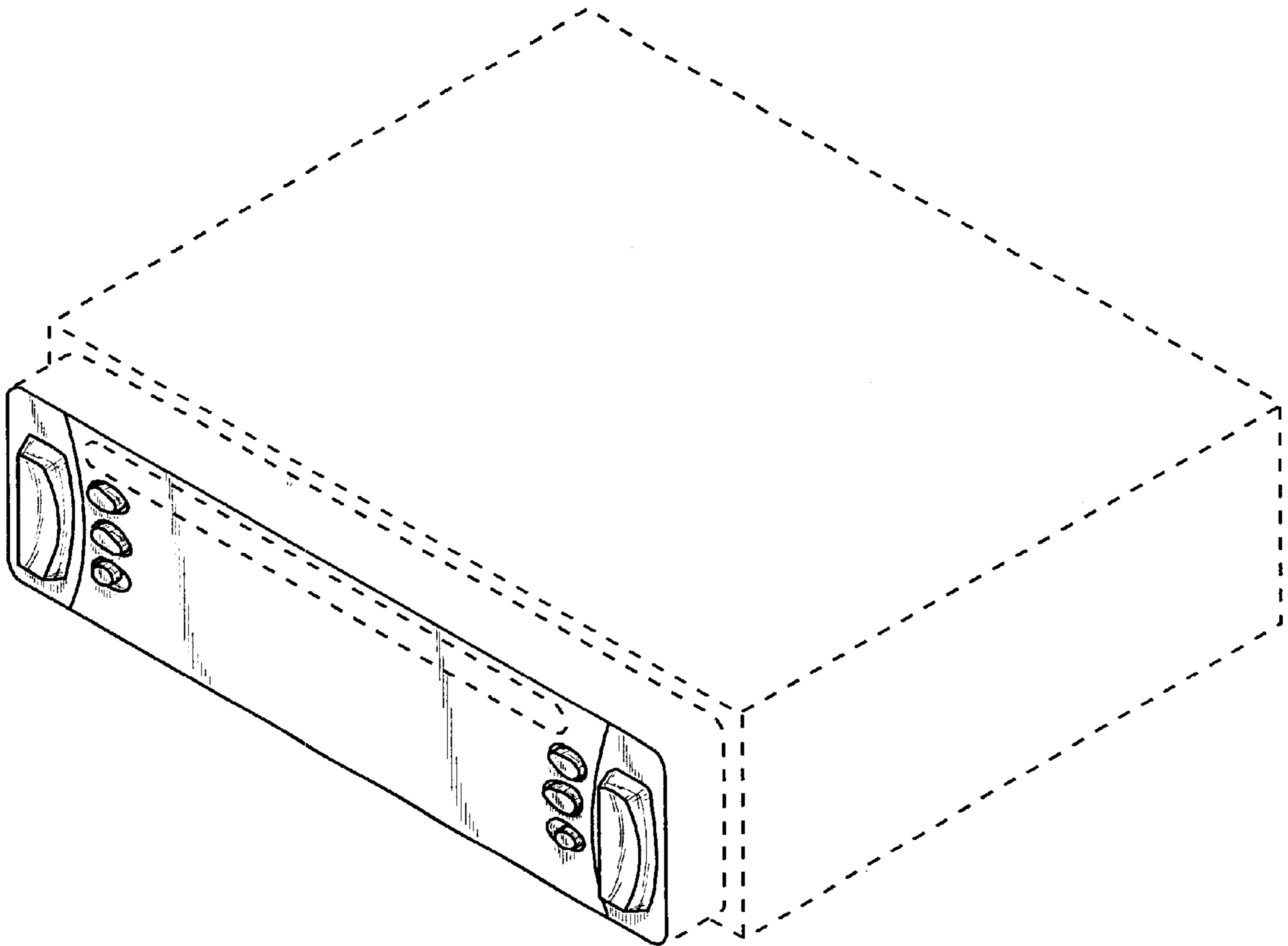
The ornamental design for a combined disc player and radio receiver, as shown and described.

DESCRIPTION

FIG. 1 is a perspective view of a combined disc player and radio receiver showing my new design;
FIG. 2 is a front elevational view thereof;
FIG. 3 is a right side elevational view thereof;
FIG. 4 is a left side elevational view thereof;
FIG. 5 is a top plan view thereof; and,
FIG. 6 is a bottom plan view thereof.

The broken line showing on FIGS. 1-6 is for illustrative purposes only and forms no part of the claimed design.

1 Claim, 3 Drawing Sheets



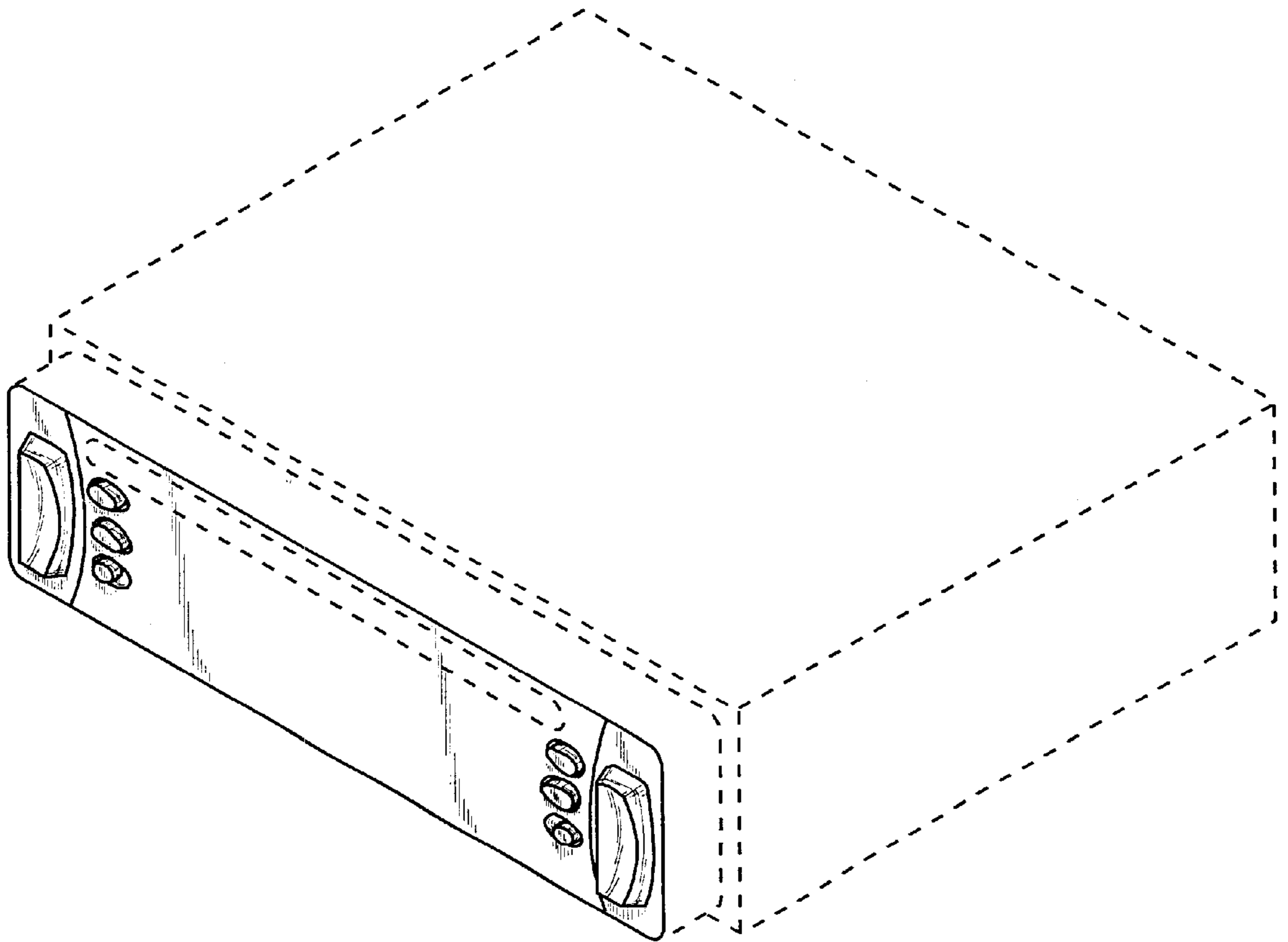


FIG. 1

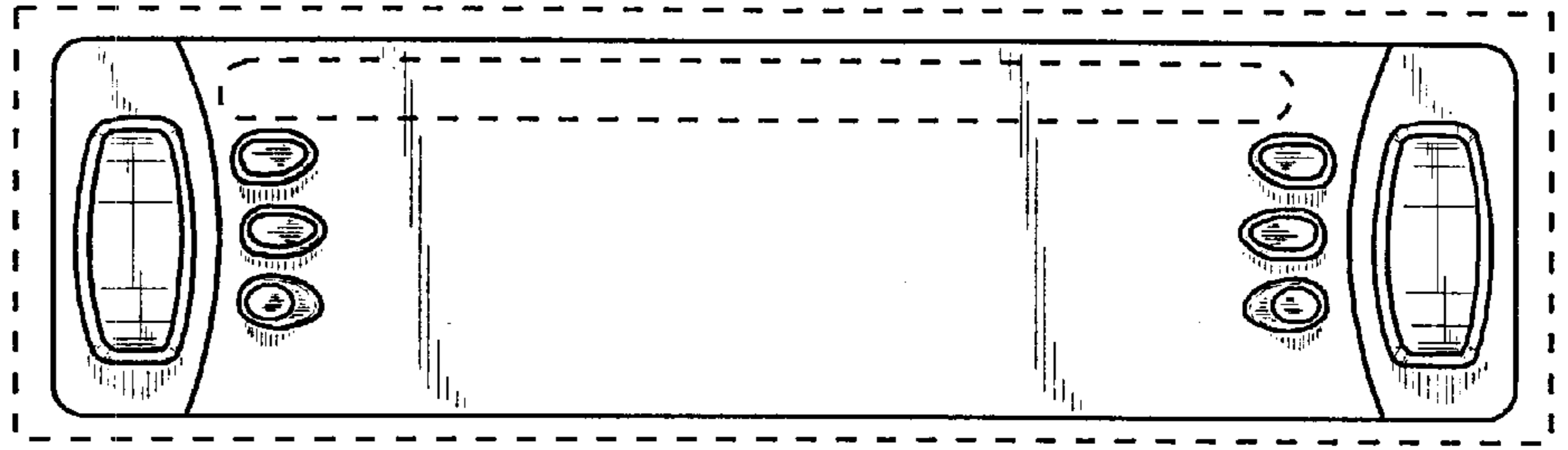


FIG. 2



FIG. 3



FIG. 4

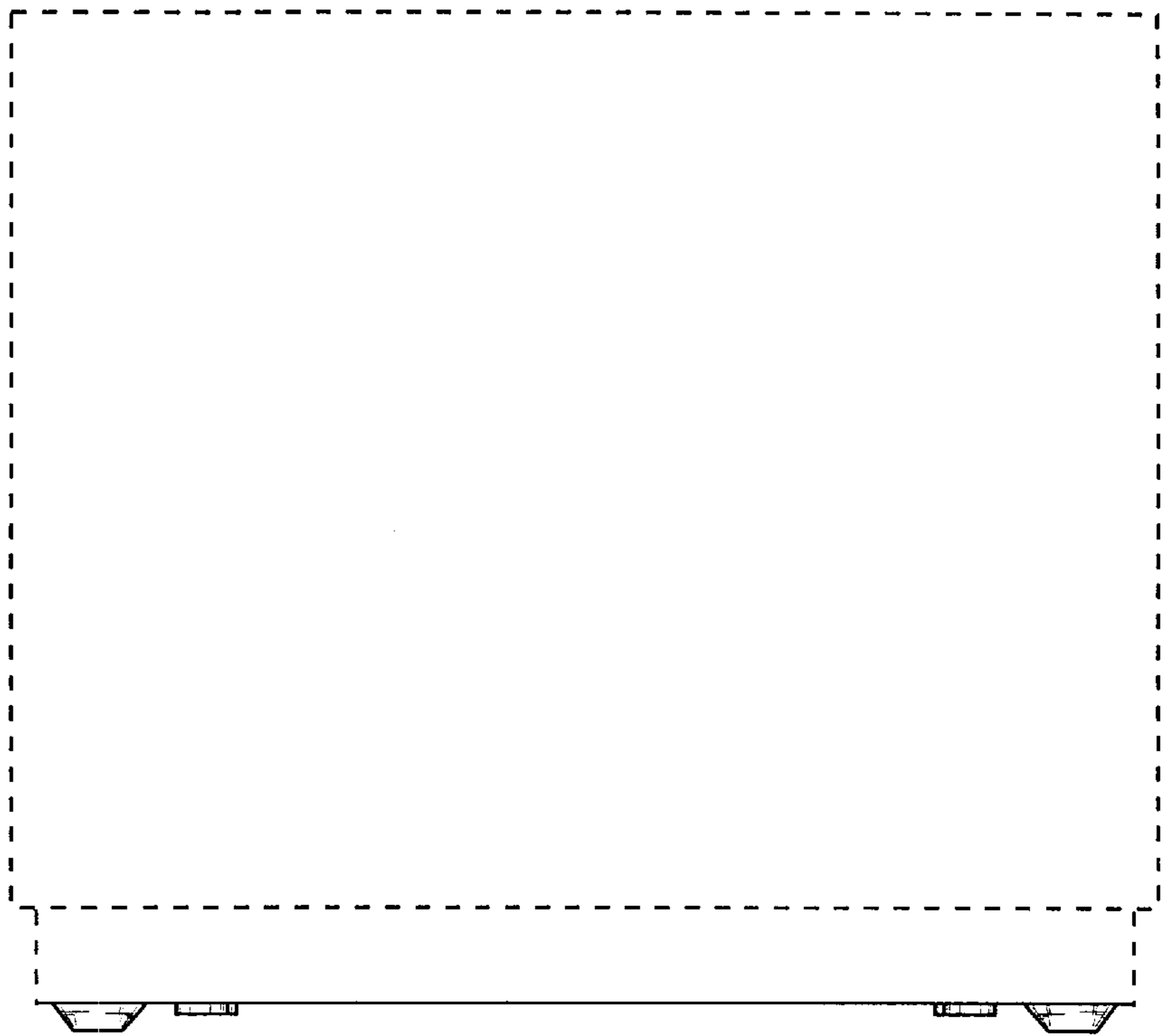


FIG. 5

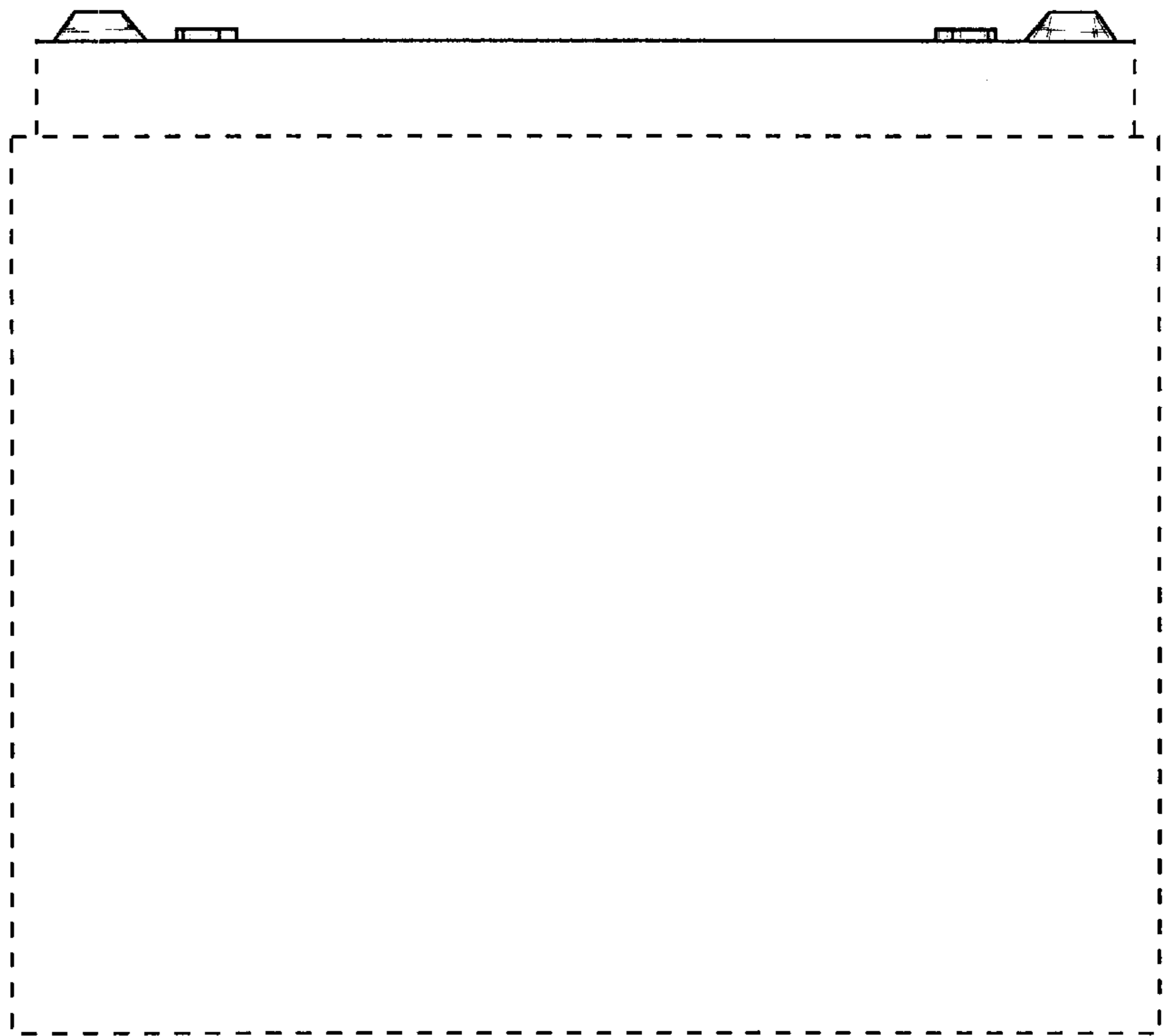


FIG. 6