



US00D450312B1

(12) **United States Design Patent**
Ishii

(10) **Patent No.:** **US D450,312 S**

(45) **Date of Patent:** **** Nov. 13, 2001**

(54) **COMBINED DISC PLAYER AND RADIO RECEIVER**

D. 426,224 6/2000 Yoneda .
D. 431,543 * 10/2000 Yuyama D14/156

(75) Inventor: **Daisuke Ishii**, Tokyo (JP)

(73) Assignee: **Sony Corporation**, Tokyo (JP)

(**) Term: **14 Years**

(21) Appl. No.: **29/141,926**

(22) Filed: **May 16, 2001**

Related U.S. Application Data

(62) Division of application No. 29/125,400, filed on Jun. 22, 2000, now Pat. No. Des. 442,574.

(51) **LOC (7) Cl.** **14-99**

(52) **U.S. Cl.** **D14/217; D14/156; D14/168**

(58) **Field of Search** D14/156, 160-168, D14/188, 189, 194-198, 135-136, 217, 299; 369/75.1, 75.2, 77.1, 77.2

(56) **References Cited**

U.S. PATENT DOCUMENTS

- D. 328,746 8/1992 Ishibashi et al. .
- D. 334,191 3/1993 Yun .
- D. 357,014 * 4/1995 Uehara D14/156
- D. 366,658 1/1996 Fukutome .
- D. 416,897 * 11/1999 Ishii et al. D14/156

OTHER PUBLICATIONS

Catalog "90", pp. 92 & 93 (CFS-W338, CFS-E16, CFS-E2TV & CFS-E14), Sony Corporation (Nov. 1998).

* cited by examiner

Primary Examiner—Nanda Bondade

(74) *Attorney, Agent, or Firm*—Rader, Fishman & Grauer, PLLC

(57) **CLAIM**

The ornamental design for a combined disc player and radio receiver, as shown and described.

DESCRIPTION

FIG. 1 is a perspective view of a combined disc player and radio receiver showing my new design;
FIG. 2 is a top plan view thereof;
FIG. 3 is a bottom plan view thereof;
FIG. 4 is a left side elevational view thereof;
FIG. 5 is a right side elevational view thereof; and,
FIG. 6 is a front elevational view thereof.

The rear view thereof forms no part of claimed design. The portions of drawings on broken lines are for illustrative purposes only and form no part of claimed design.

1 Claim, 3 Drawing Sheets

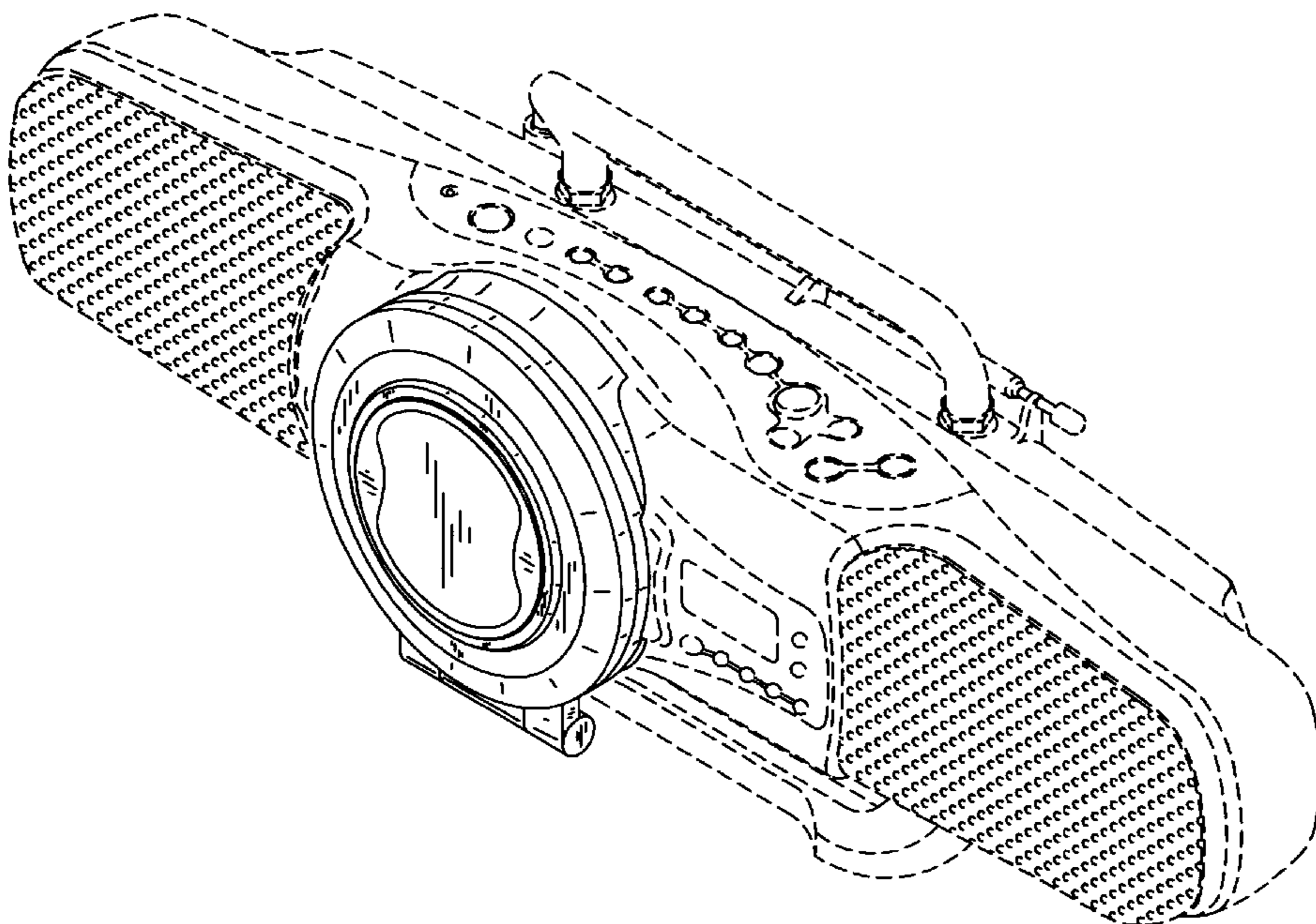


FIG. 1

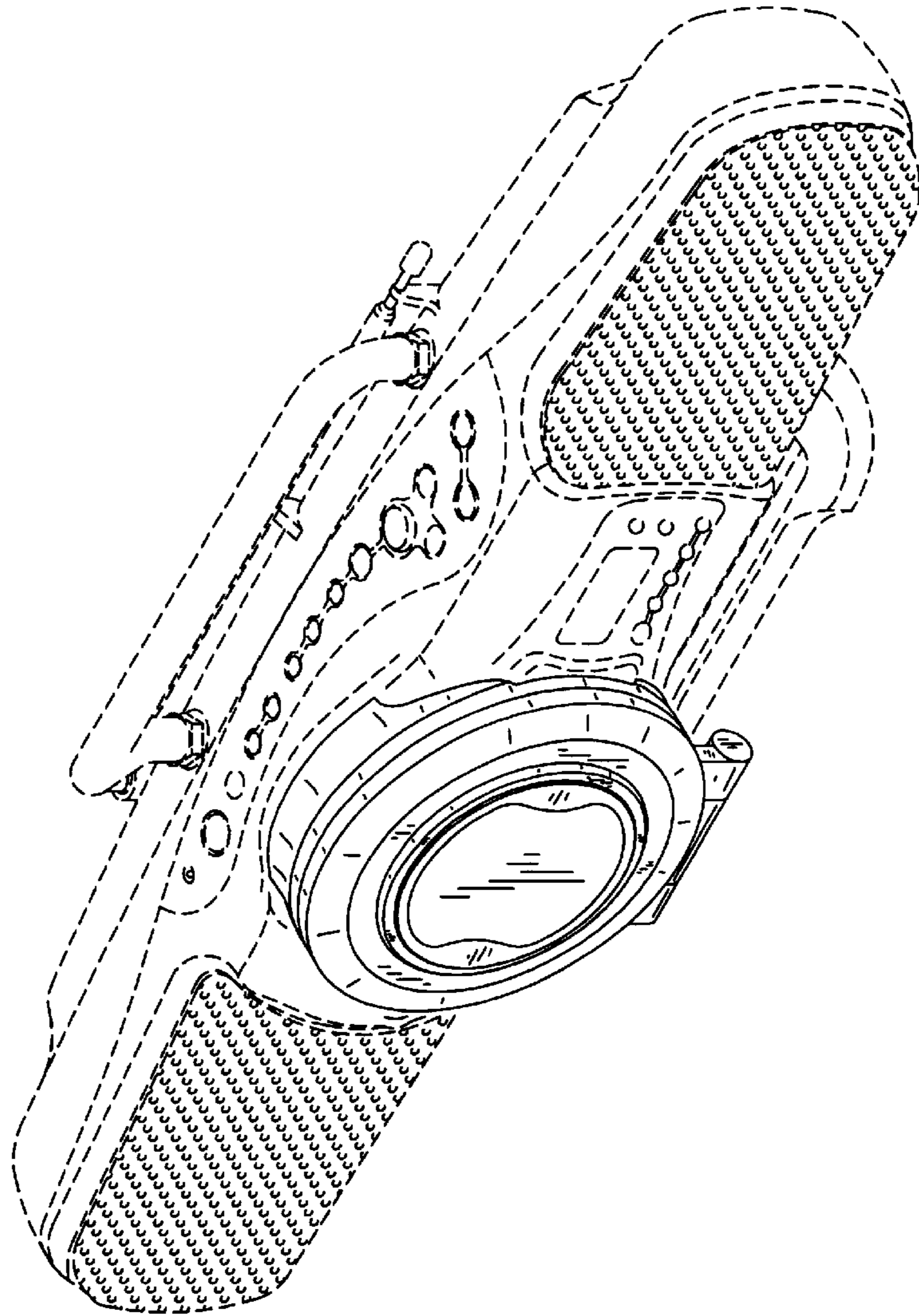


FIG. 2

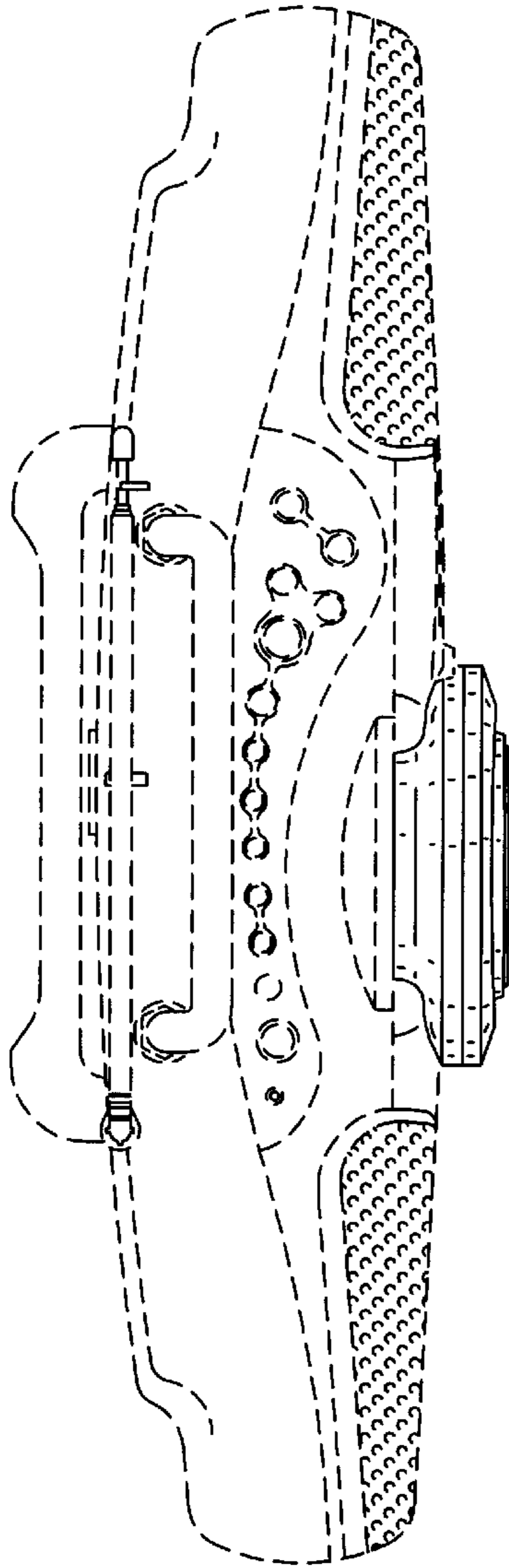
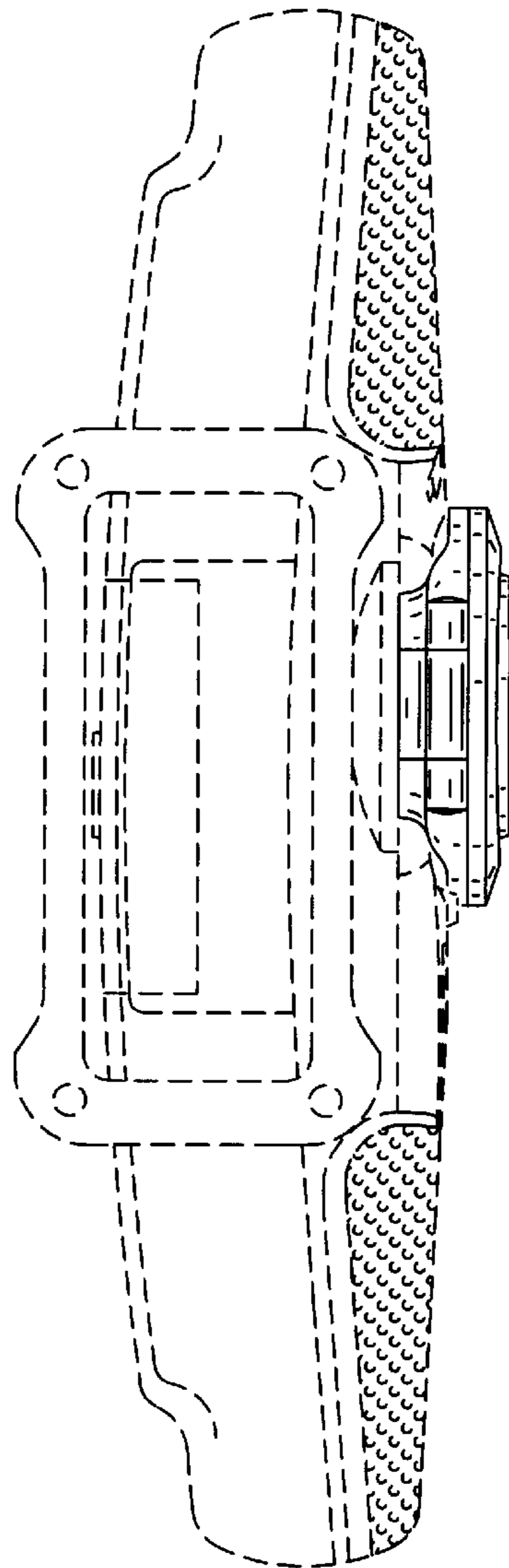


FIG. 3



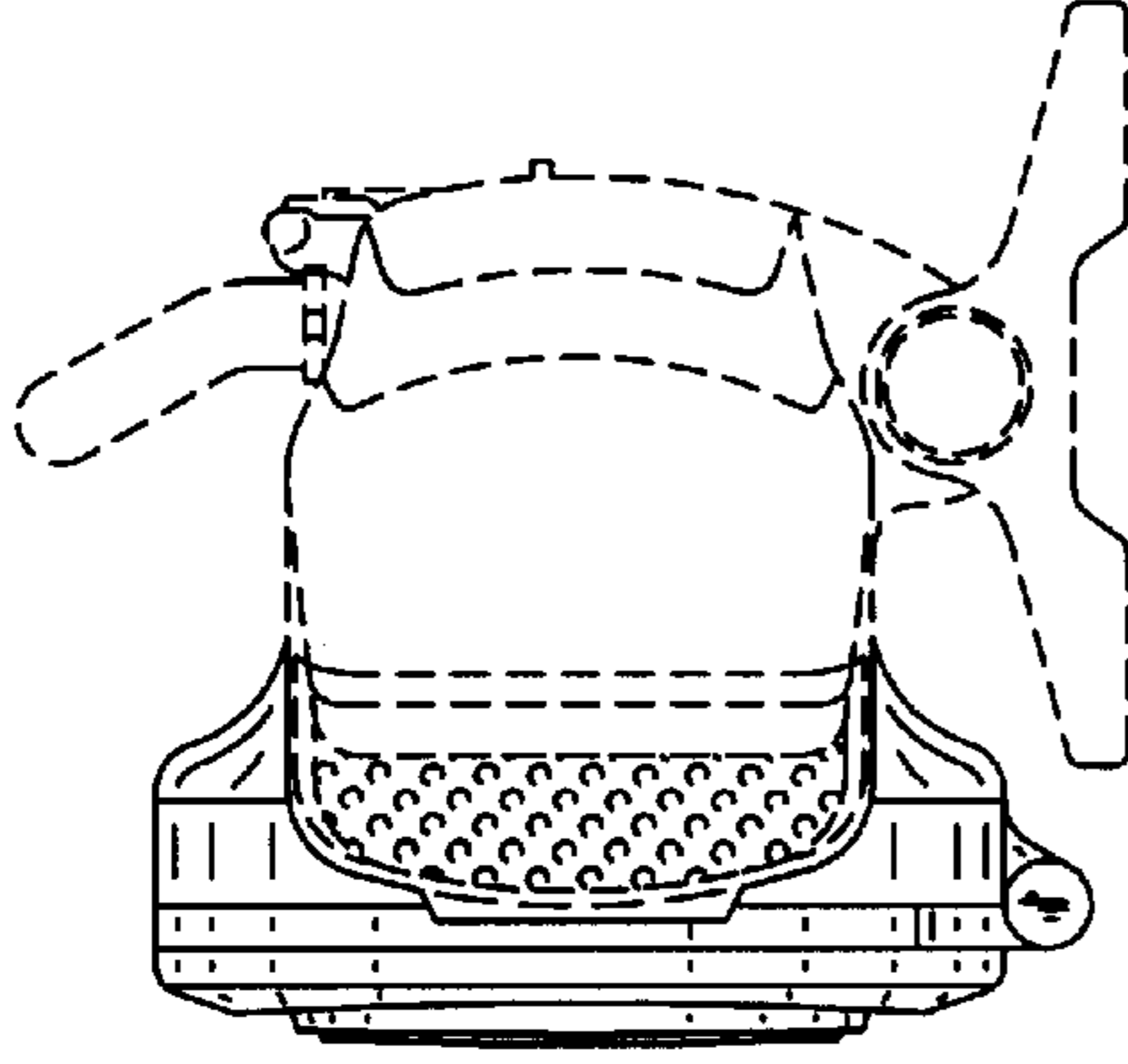


FIG. 5

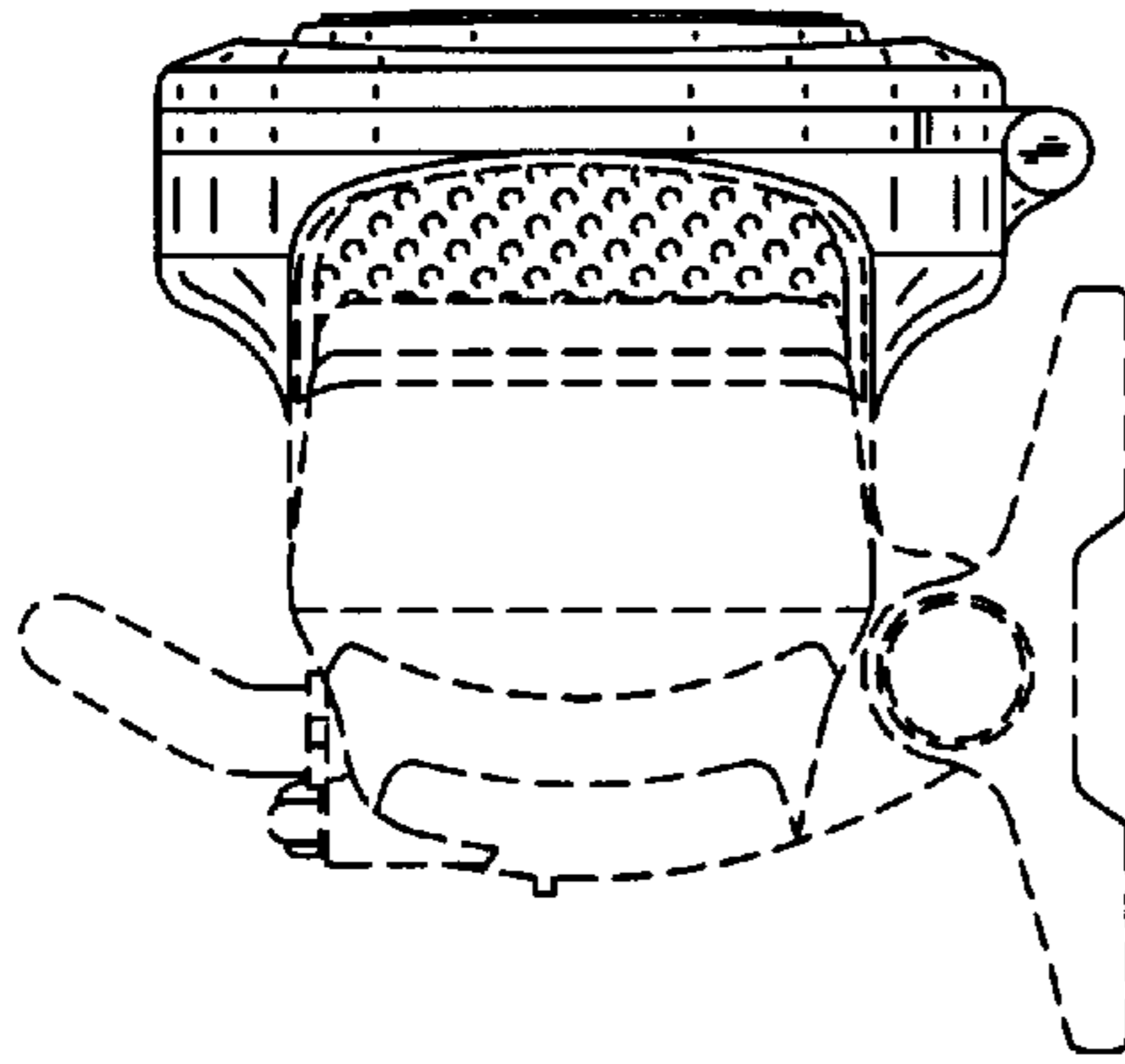


FIG. 4

FIG. 6

