



US00D450304B1

(12) **United States Design Patent**
Daniels et al.

(10) **Patent No.:** **US D450,304 S**

(45) **Date of Patent:** **** Nov. 13, 2001**

(54) **SWITCH BOX**

3,928,835 * 12/1975 Castro-Genera 337/295

(75) Inventors: **David R. Daniels**, Lake Villa, IL (US);
Klemens Degen, Weibern (DE)

* cited by examiner

(73) Assignee: **Wolfcraft GmbH**, Kempenich (DE)

Primary Examiner—Adir Aronovich

Assistant Examiner—Selina Sikder

(**) Term: **14 Years**

(74) *Attorney, Agent, or Firm*—Schiff Hardin & Waite

(21) Appl. No.: **29/127,666**

(57) **CLAIM**

(22) Filed: **Aug. 11, 2000**

The ornamental design for a switch box, as shown and described.

(51) **LOC (7) Cl.** **13-03**

DESCRIPTION

(52) **U.S. Cl.** **D13/158**

(58) **Field of Search** D13/158, 169,
D13/171, 174; 174/50, 50.52, 50.21, 66;
220/3.7, 66, 67, 241

FIG. 1 is a perspective view of the switch box of this design.
FIG. 2 is a front elevational view of the switch box of FIG. 1.

FIG. 3 is a top plan view of the switch box of FIG. 1.

FIG. 4 is a bottom view of the switch box of FIG. 1.

FIG. 5 is a right side elevational view of the switch box of FIG. 1.

FIG. 6 is a left side elevational view of the switch box of FIG. 1; and,

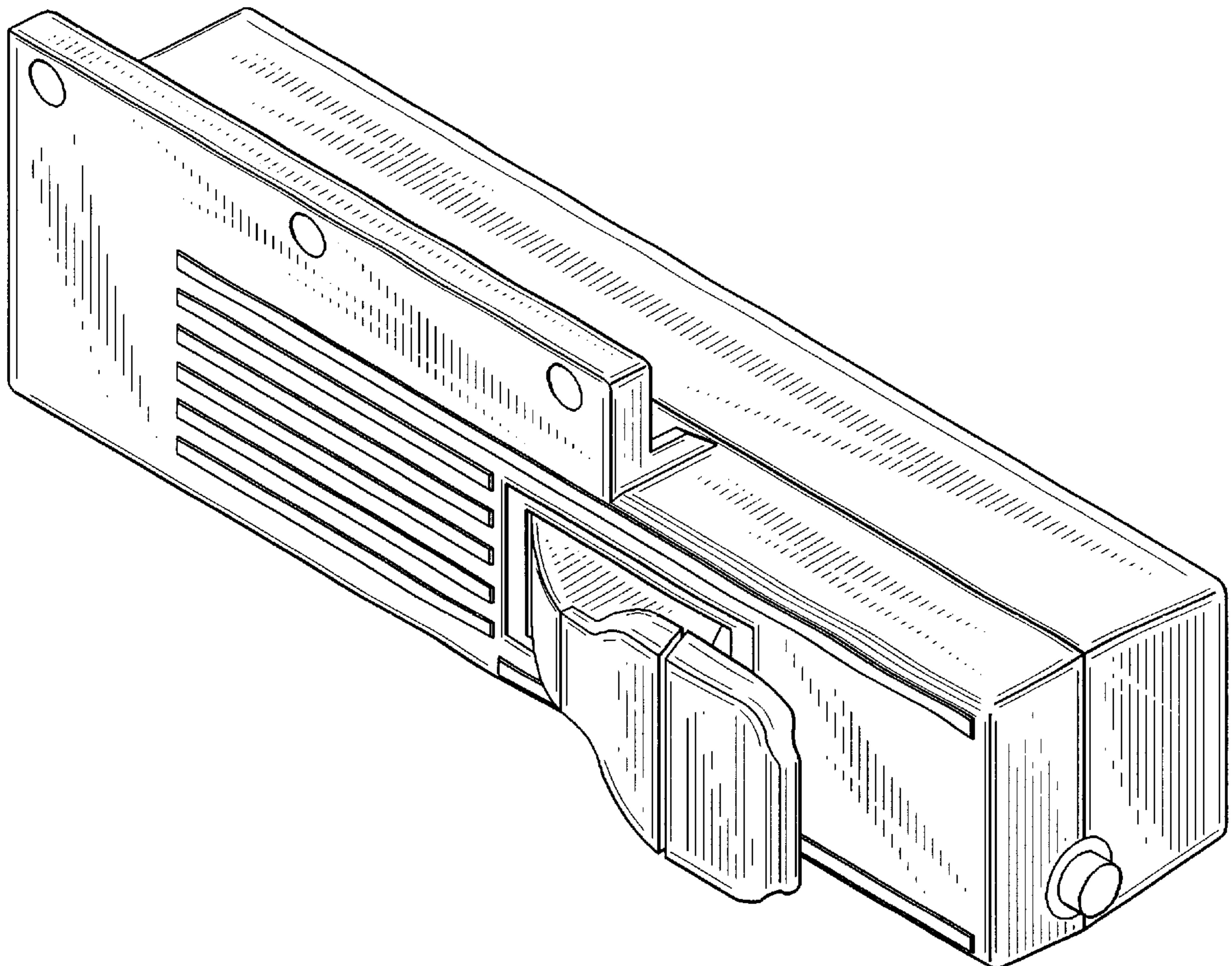
FIG. 7 is a rear elevational view of the switch box of FIG. 1.

(56) **References Cited**

U.S. PATENT DOCUMENTS

D. 255,030	*	5/1980	Hocle	D13/158
D. 325,376	*	4/1992	Krasser	D13/160
D. 329,434	*	9/1992	Toyoda et al.	D13/158
D. 371,115	*	6/1996	Stern	D13/164
D. 399,491	*	10/1998	Nagai	D13/158

1 Claim, 2 Drawing Sheets



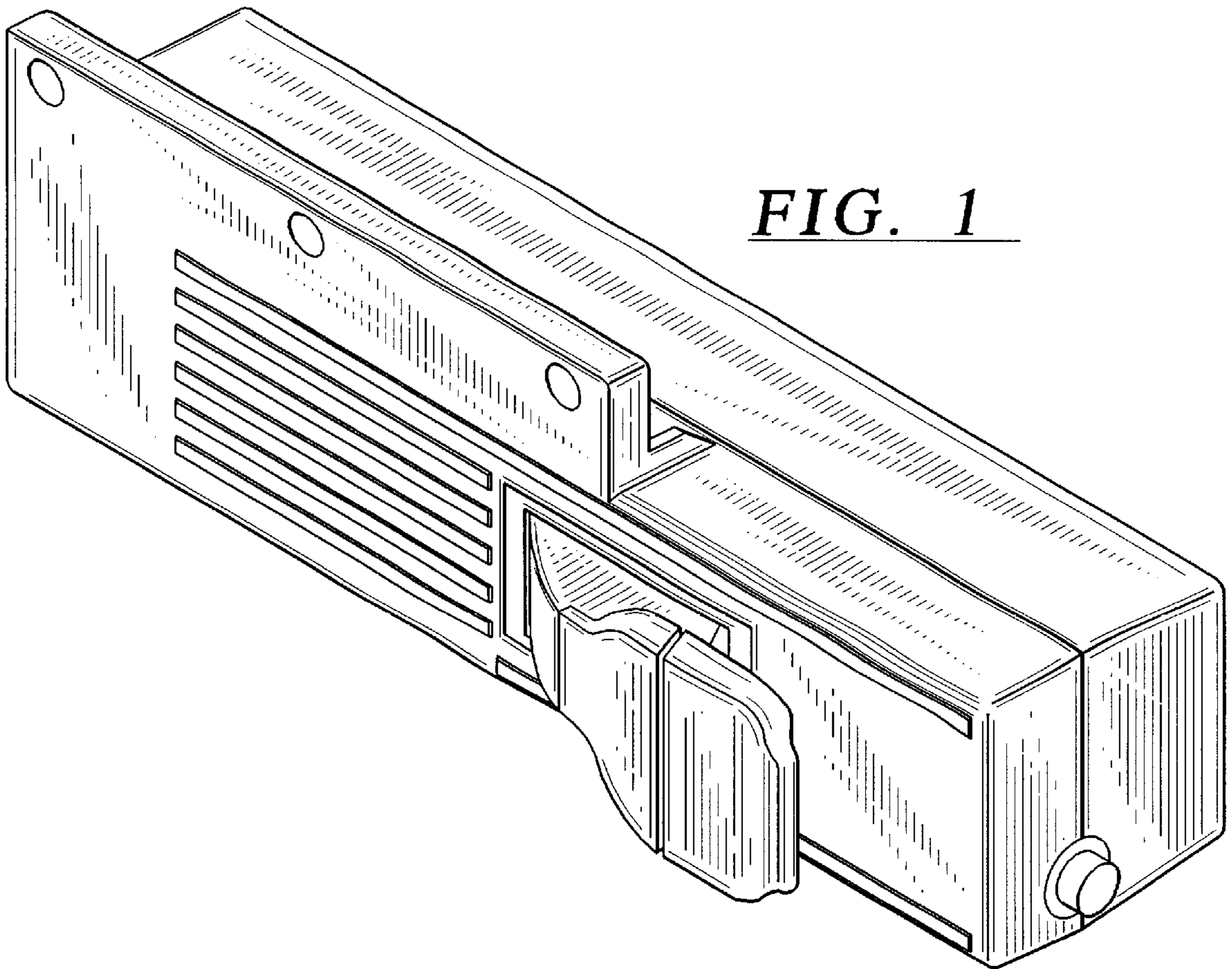


FIG. 1

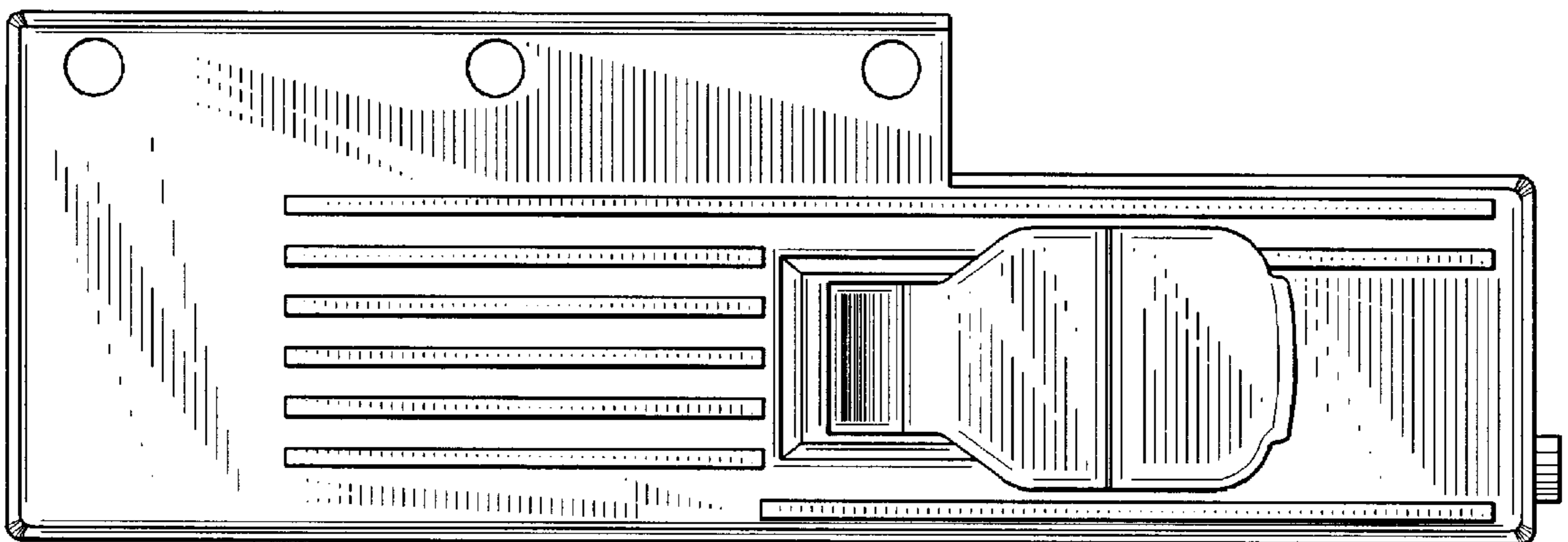


FIG. 2

FIG. 3

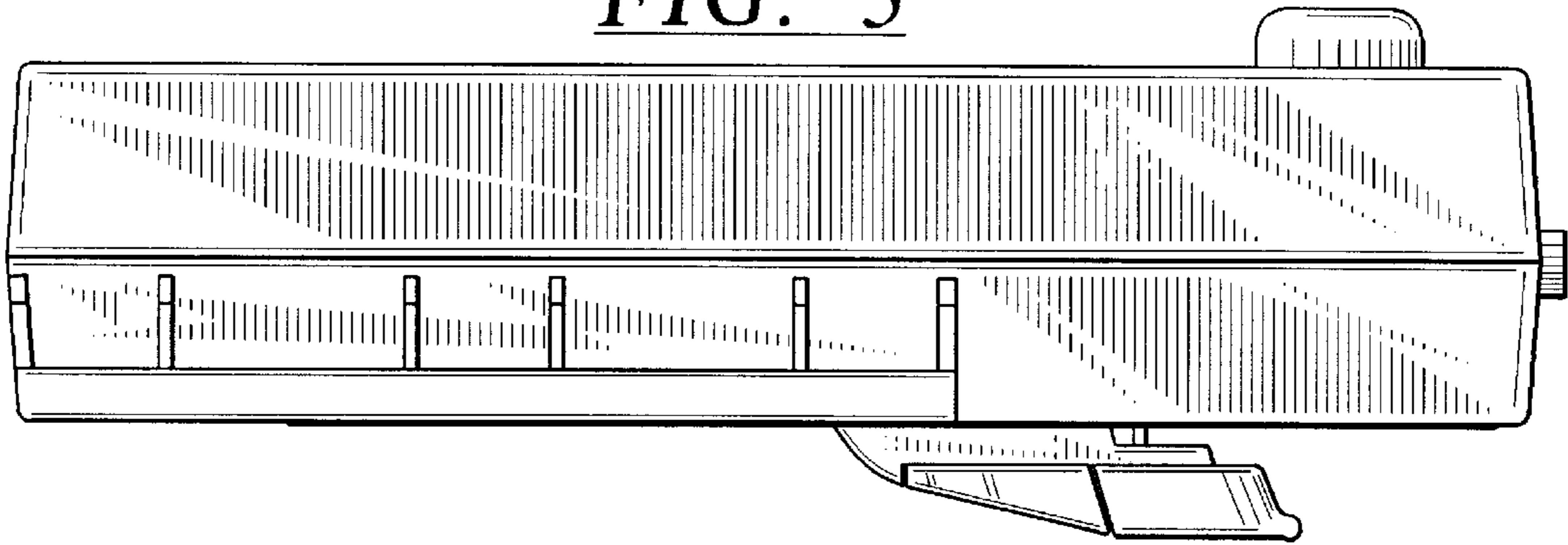


FIG. 4

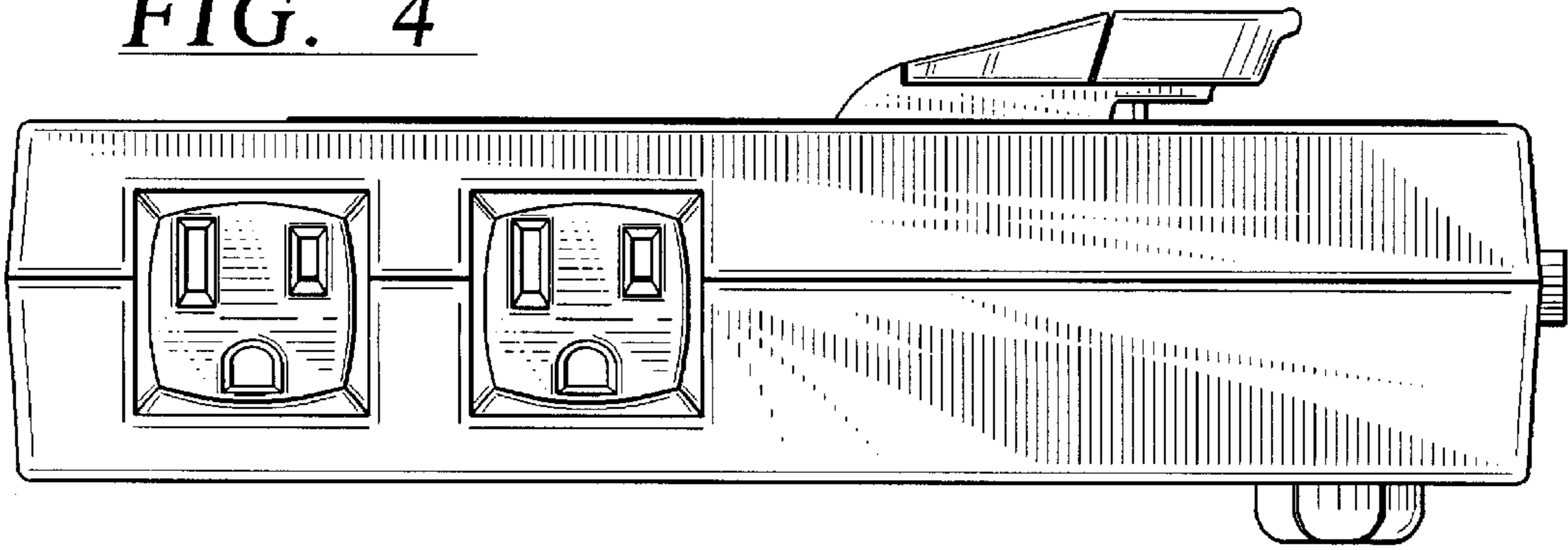


FIG. 6

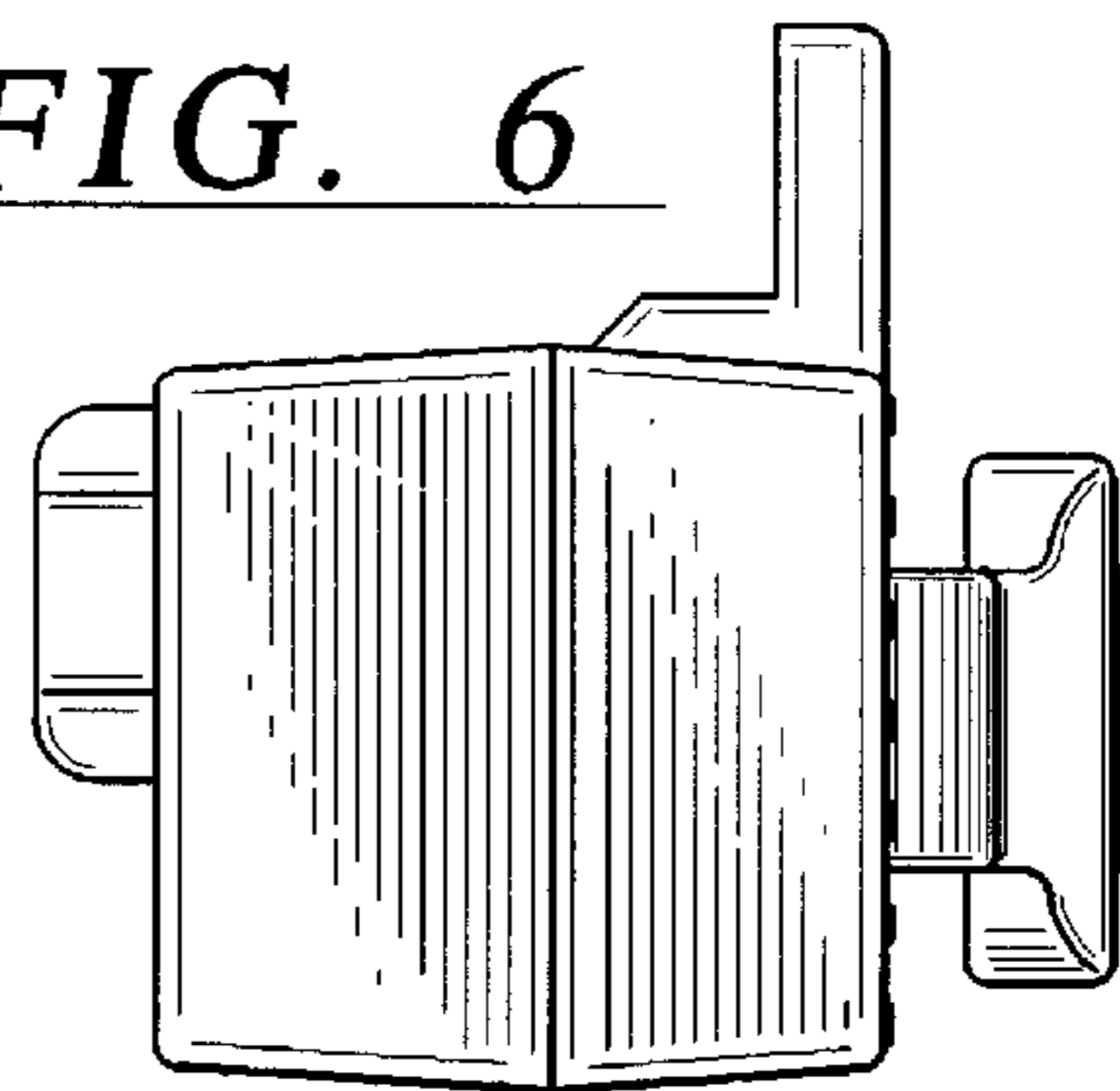
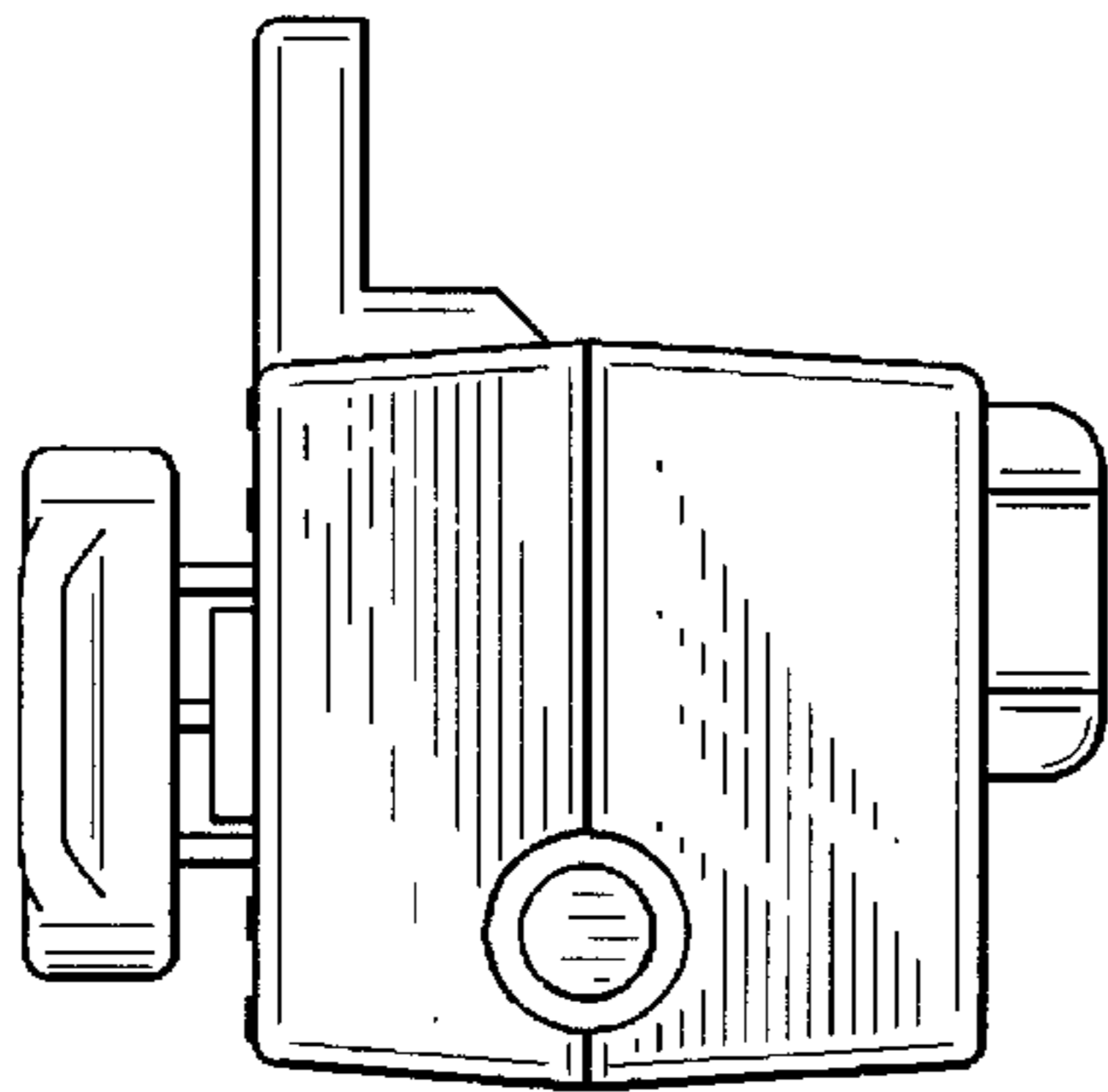


FIG. 5

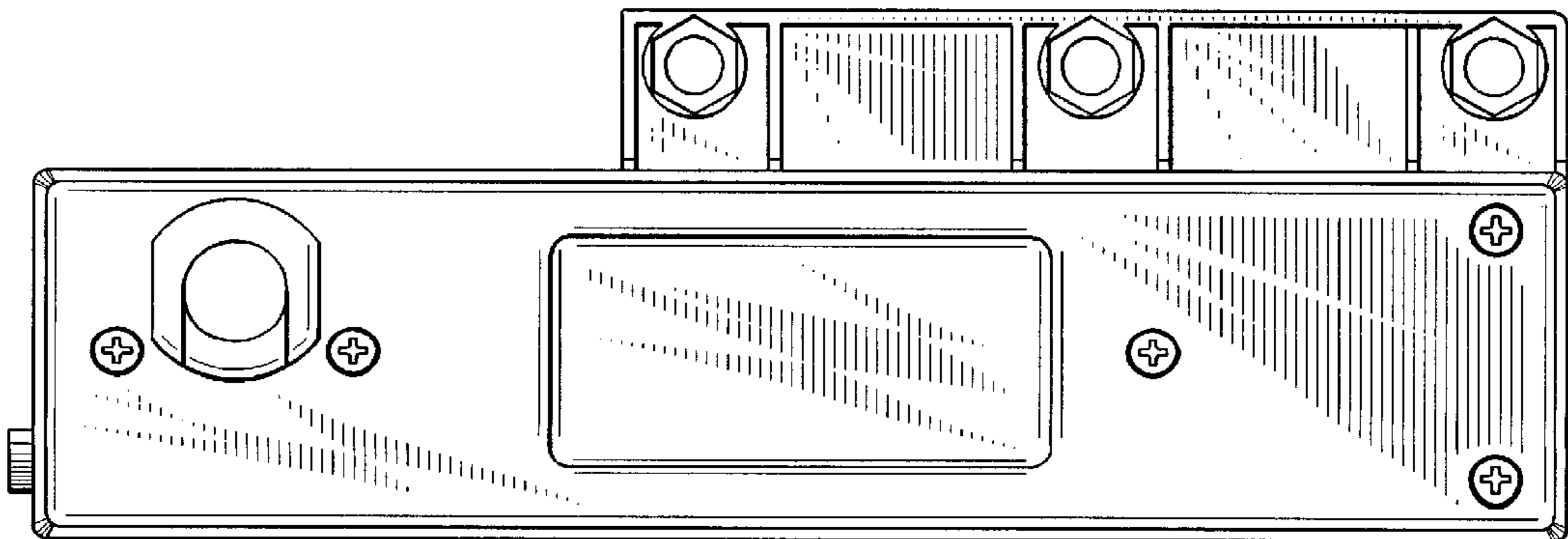


FIG. 7