



US00D450298B1

(12) **United States Design Patent**
Suzuki

(10) **Patent No.:** **US D450,298 S**

(45) **Date of Patent:** **** Nov. 13, 2001**

- (54) **PLUG**
- (75) Inventor: **Katsumi Suzuki**, Ibaraki (JP)
- (73) Assignee: **SMK Corporation**, Tokyo (JP)
- (**) Term: **14 Years**
- (21) Appl. No.: **29/133,451**
- (22) Filed: **Dec. 1, 2000**
- (30) **Foreign Application Priority Data**
 - Jun. 5, 2000 (JP) 12-014923
- (51) **LOC (7) Cl.** **13-03**
- (52) **U.S. Cl.** **D13/133**
- (58) **Field of Search** D13/133, 154,
 - D13/156; 439/578, 668, 669, 675, 750,
 - 851, 889, 582, 694, 844, 845, 855
- (56) **References Cited**
 - U.S. PATENT DOCUMENTS**
 - D. 335,281 * 5/1993 Thummel D13/158

3,141,718	*	7/1964	Schott et al.	439/582	X
4,964,816	*	10/1990	Miller	439/669	
5,176,536	*	1/1993	Ganger et al.	439/582	
5,912,518	*	6/1999	Misik	310/71	

* cited by examiner

Primary Examiner—Joel Sincavage

(74) *Attorney, Agent, or Firm*—Sughrue, Mion, Zinn, Macpeak & Seas, PLLC

(57) **CLAIM**

The ornamental design for a plug, as shown and described.

DESCRIPTION

FIG. 1 is a perspective view of one side, one end and the bottom of a plug showing my new design;
 FIG. 2 is a side elevational view off said one side, the opposite side being a mirror image thereof;
 FIG. 3 is a top plan view thereof;
 FIG. 4 is a bottom plan view thereof;
 FIG. 5 is an end view of said one end thereof; and,
 FIG. 6 is an end elevational view of the opposite end thereof.

1 Claim, 2 Drawing Sheets

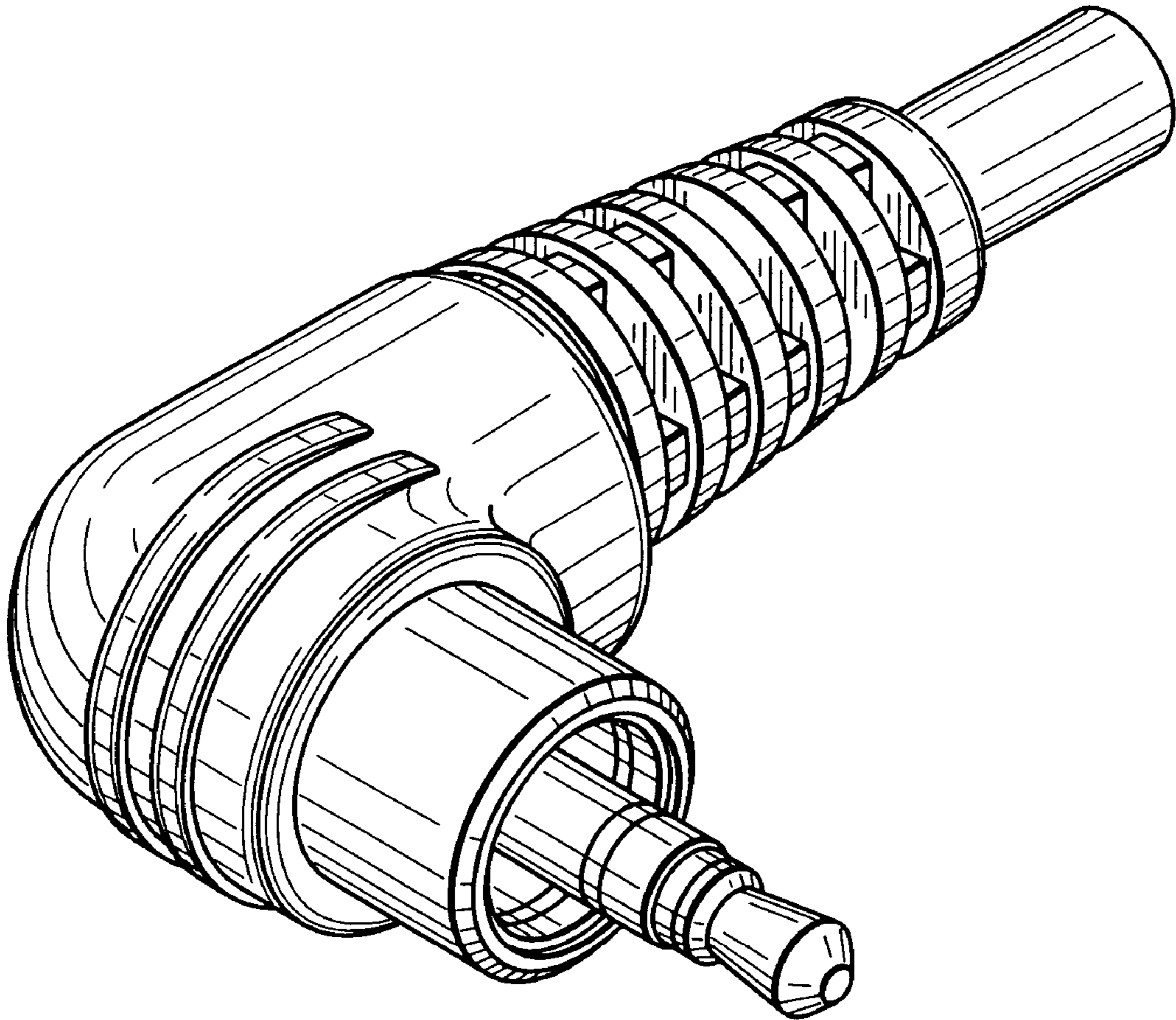


FIG. 1

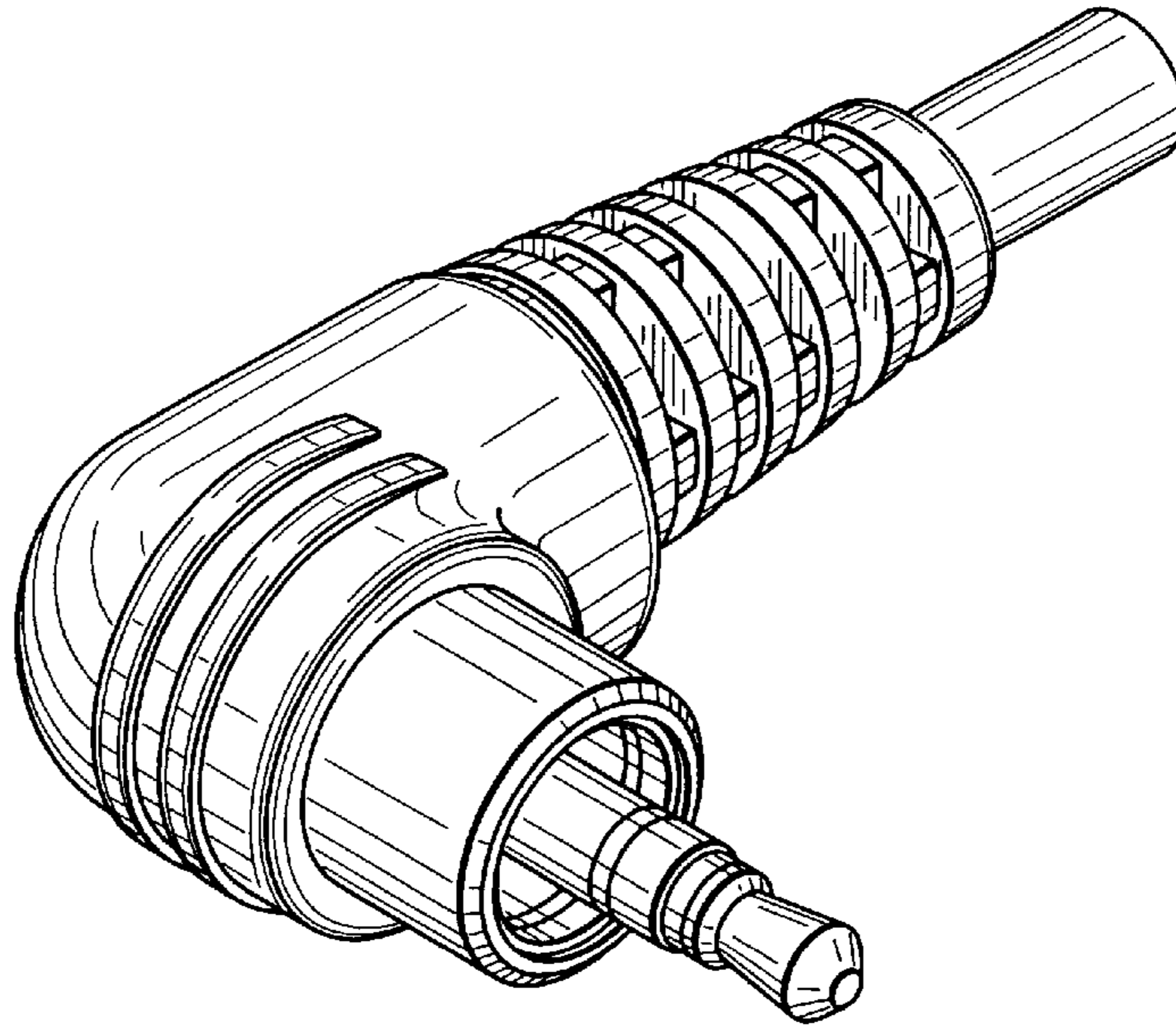


FIG. 2

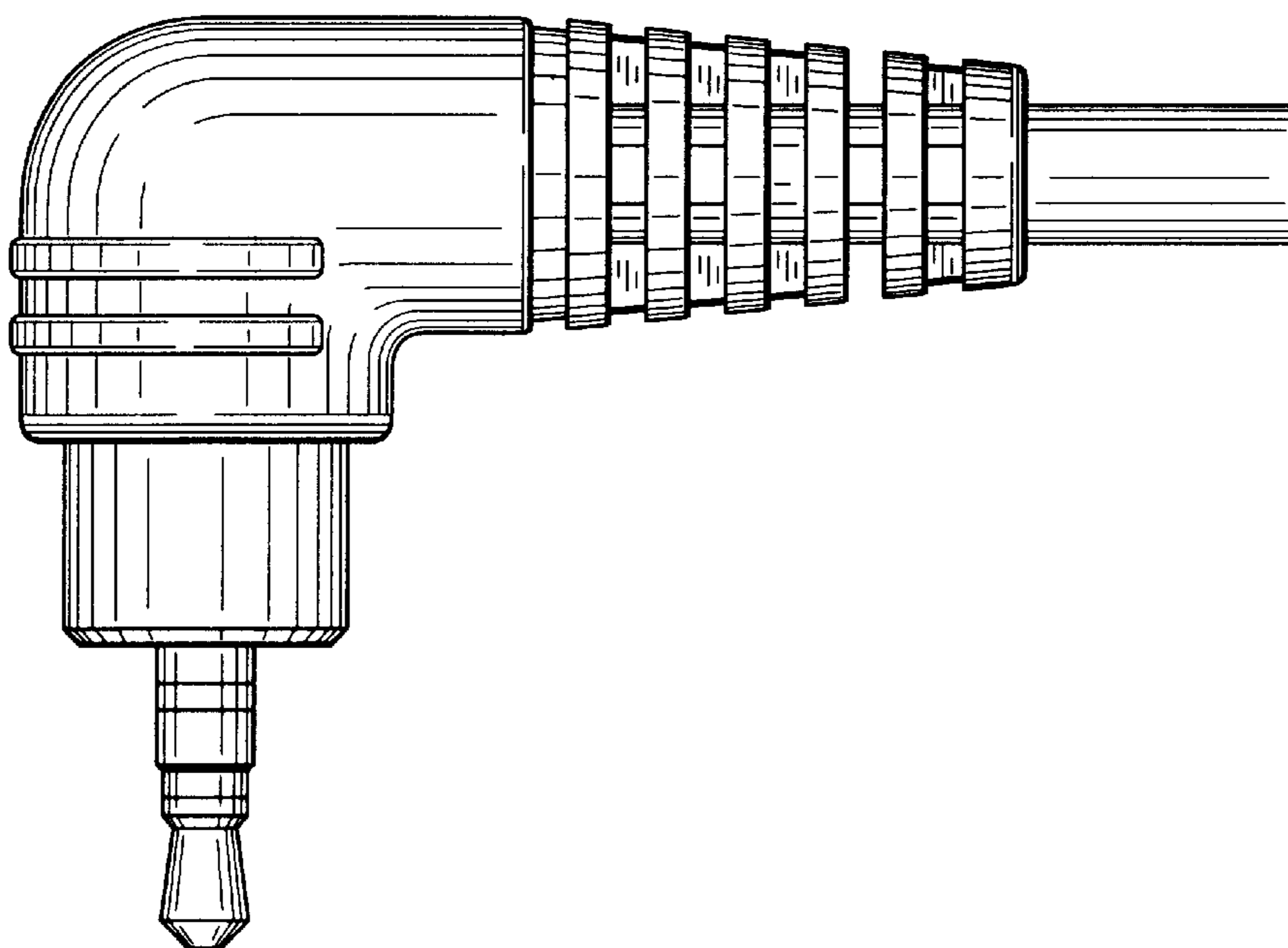


FIG. 3

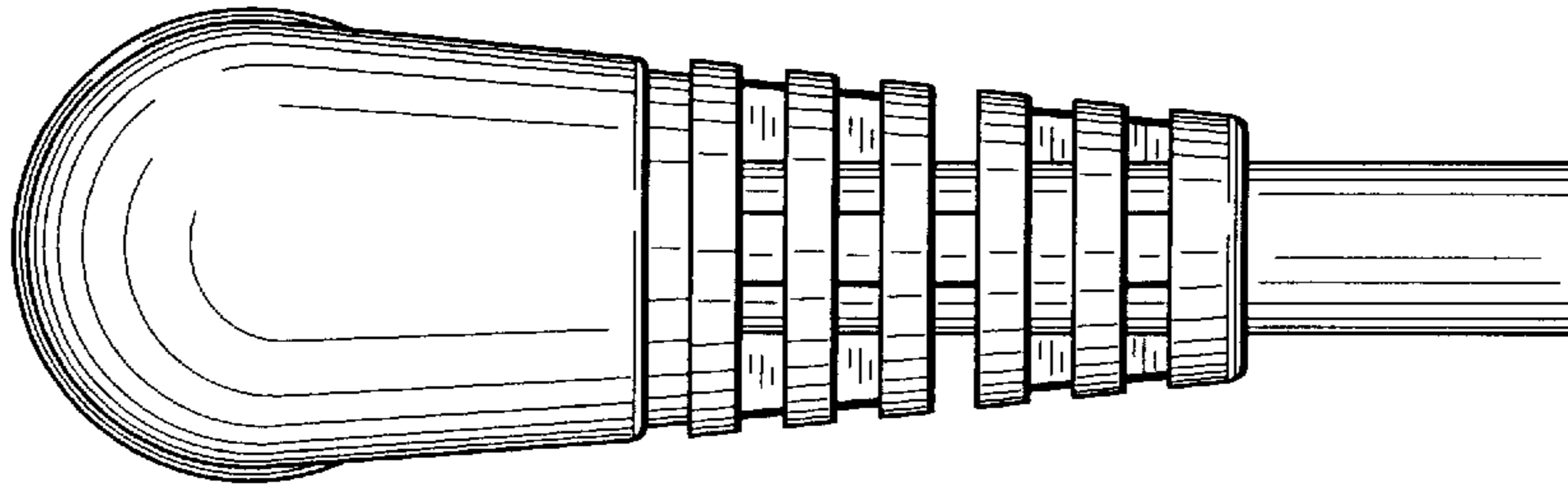


FIG. 4

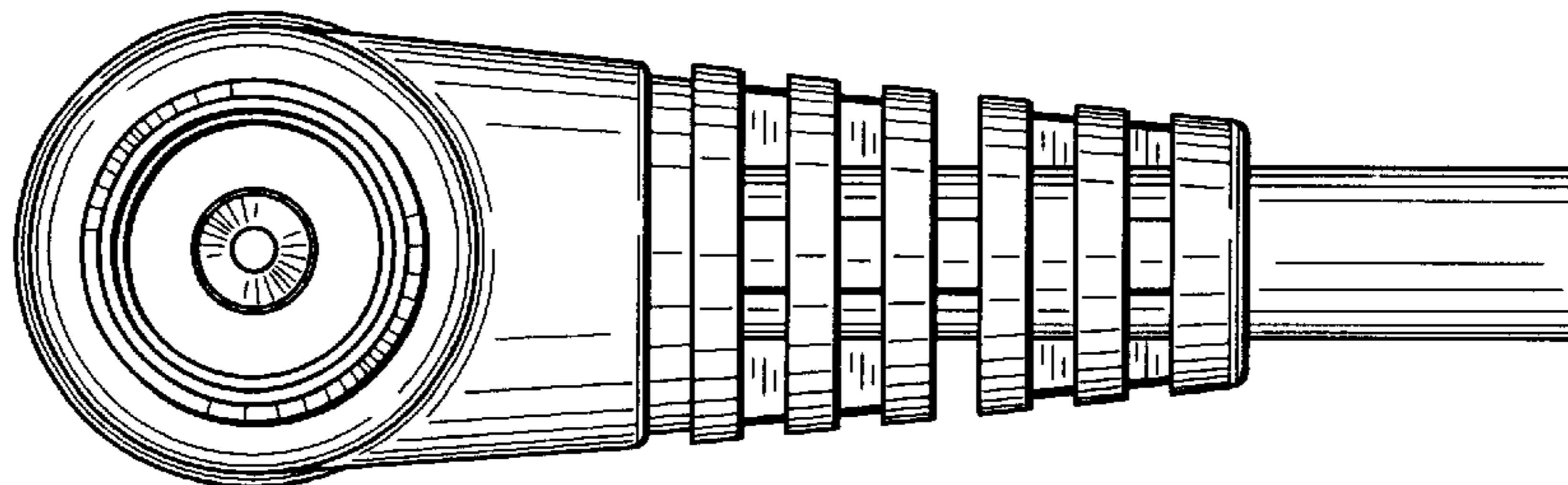


FIG. 5

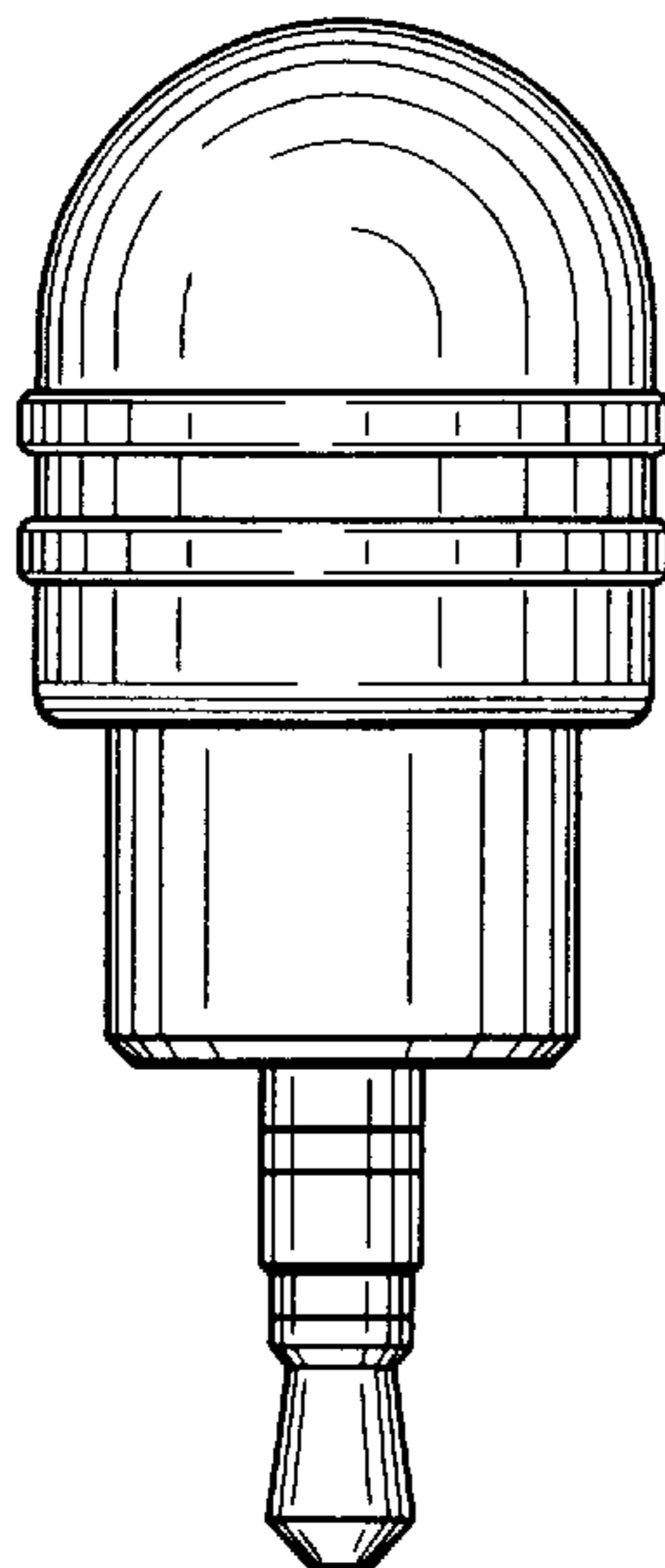


FIG. 6

