



US00D450297B1

(12) **United States Design Patent** (10) **Patent No.:** **US D450,297 S**
Lee (45) **Date of Patent:** **** Nov. 13, 2001**

(54) **MINIATURE CONNECTOR WITH MOLDED BOOT HAVING A SINGLE SHOULDER**

(75) Inventor: **Kendrew Lee**, Sunnyvale, CA (US)

(73) Assignee: **Monster Cable Products, Inc.**,
Brisbane, CA (US)

(**) Term: **14 Years**

(21) Appl. No.: **29/121,153**

(22) Filed: **Mar. 31, 2000**

(51) **LOC (7) Cl.** **13-03**

(52) **U.S. Cl.** **D13/133**

(58) **Field of Search** D13/133, 154,
D13/156; 439/578, 668, 669, 675, 750,
851, 889

(56) **References Cited**

U.S. PATENT DOCUMENTS

D. 317,293	*	6/1991	Brisson	D13/133
D. 320,192	*	9/1991	Sisk	D13/133
D. 325,023	*	3/1992	Lee et al.	D13/133
D. 329,223	*	9/1992	Lee	D13/133
D. 355,159	*	2/1995	Cheng	D13/133
D. 371,762	*	7/1996	Lee	D13/133
D. 374,862	*	10/1996	Lee	D13/133
4,129,352	*	12/1978	Iizuka	439/675

* cited by examiner

Primary Examiner—Joel Sincavage
(74) *Attorney, Agent, or Firm*—LaRiviere, Grubman & Payne, LLP

(57) **CLAIM**

The ornamental design for a miniature connector with molded boot having a single shoulder, as shown and described.

DESCRIPTION

FIG. 1 is a perspective view of the miniature connector with molded boot having a single shoulder according to the present invention.

FIG. 2 is a top view of the miniature connector with molded boot having a single shoulder shown in FIG. 1.

FIG. 3 is a bottom view of the miniature connector with molded boot having a single shoulder shown in FIG. 1.

FIG. 4 is a side view of the miniature connector with molded boot having a single shoulder shown in FIG. 1.

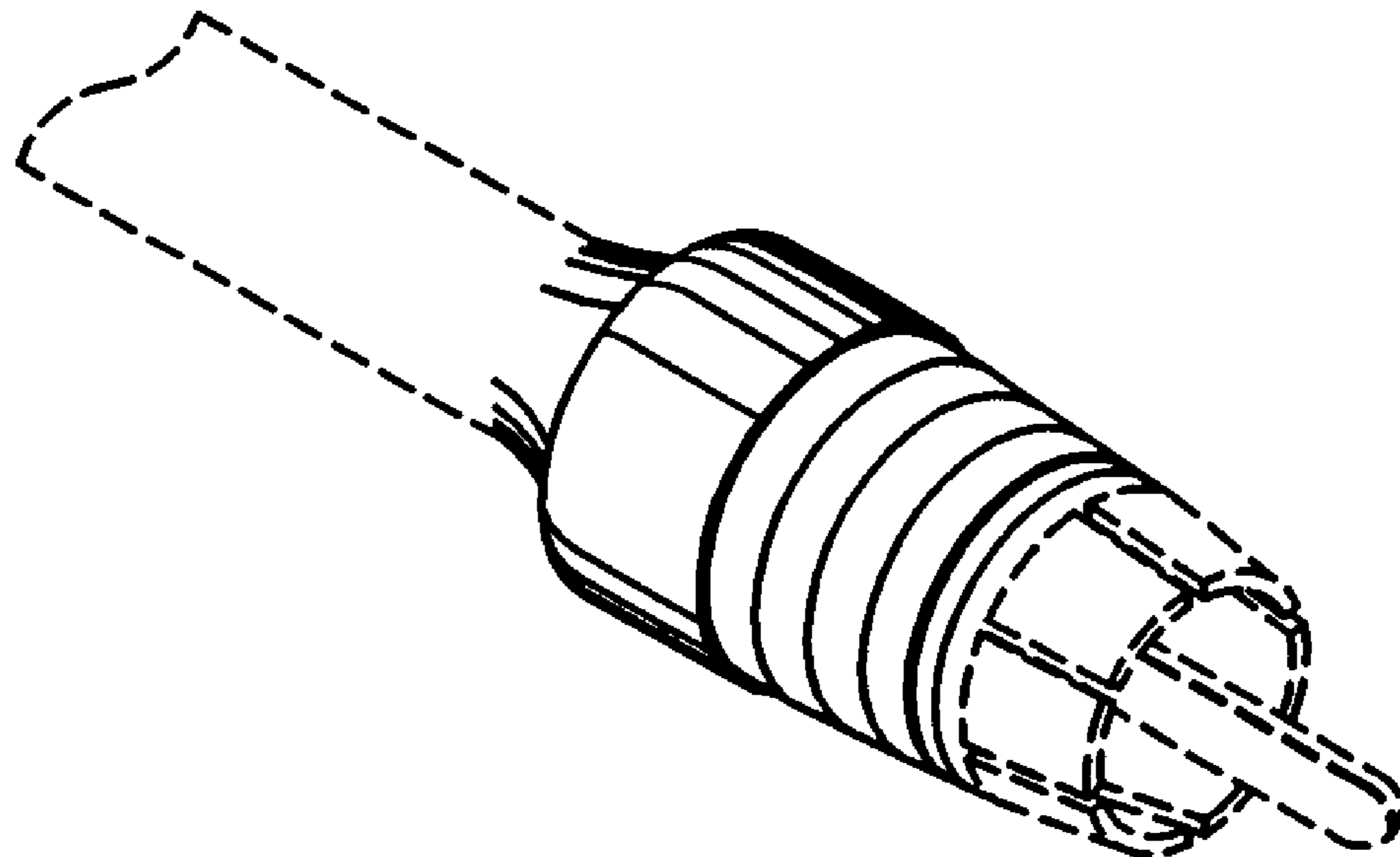
FIG. 5 is a side view of the miniature connector with molded boot having a single shoulder shown in FIG. 1.

FIG. 6 is a front view of the miniature connector with molded boot having a single shoulder shown in FIG. 1; and,

FIG. 7 is a rear view of the miniature connector with molded boot having a single shoulder shown in FIG. 1.

The broken lines throughout the drawing figures are included for the purpose of illustrating environmental structure only and form no part of the claimed design.

1 Claim, 2 Drawing Sheets



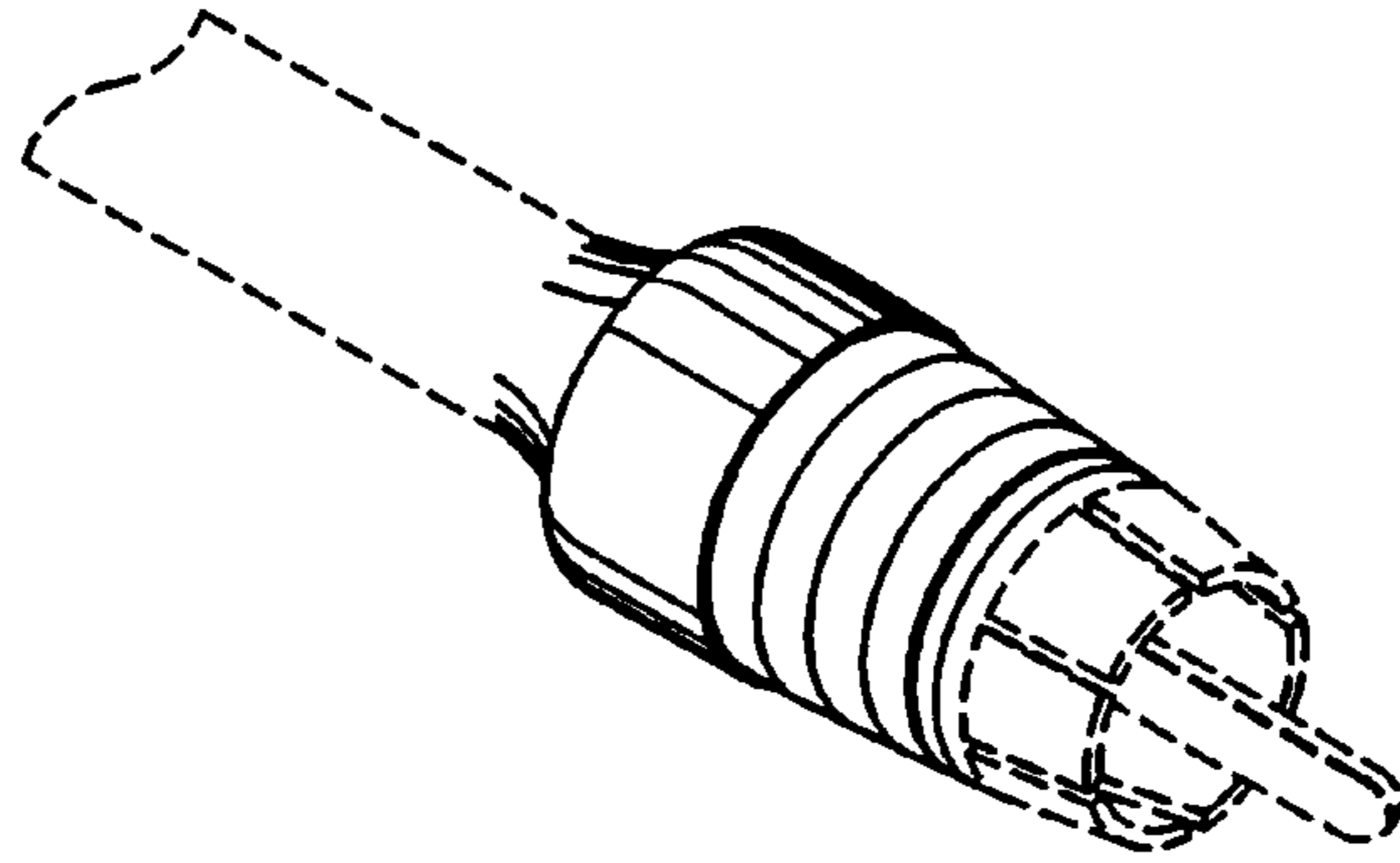


Fig. 1

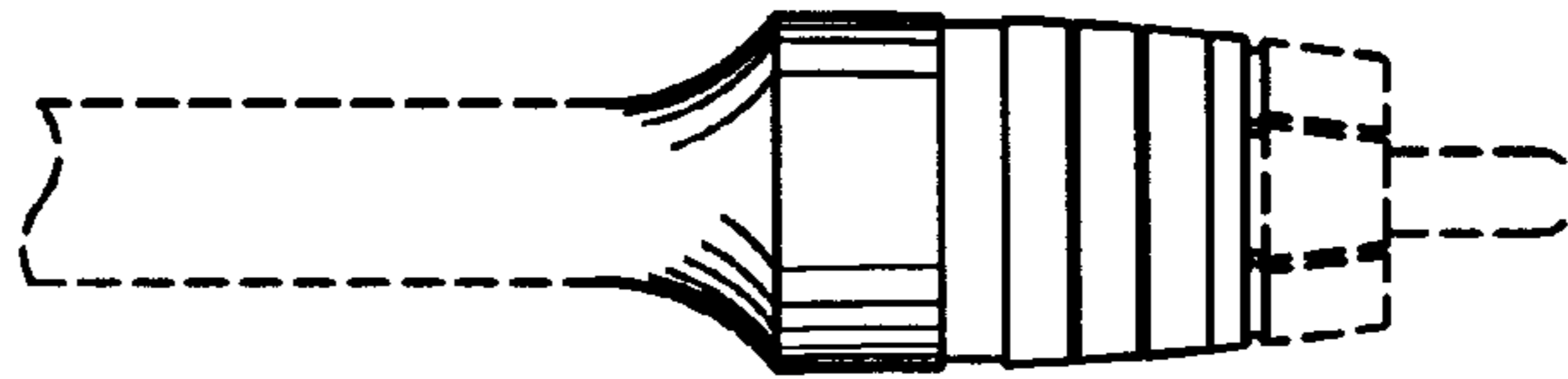


Fig. 2

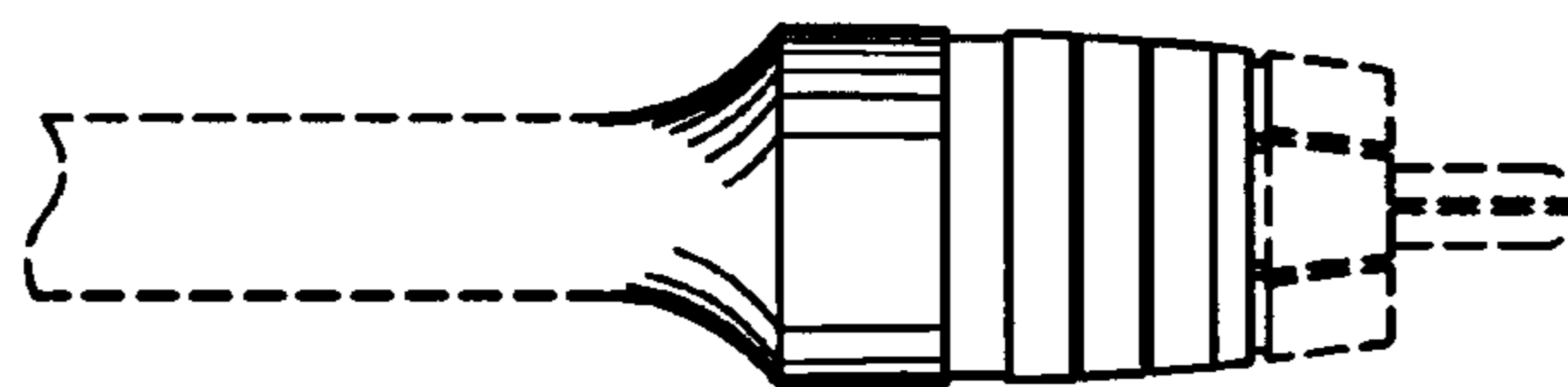


Fig. 3

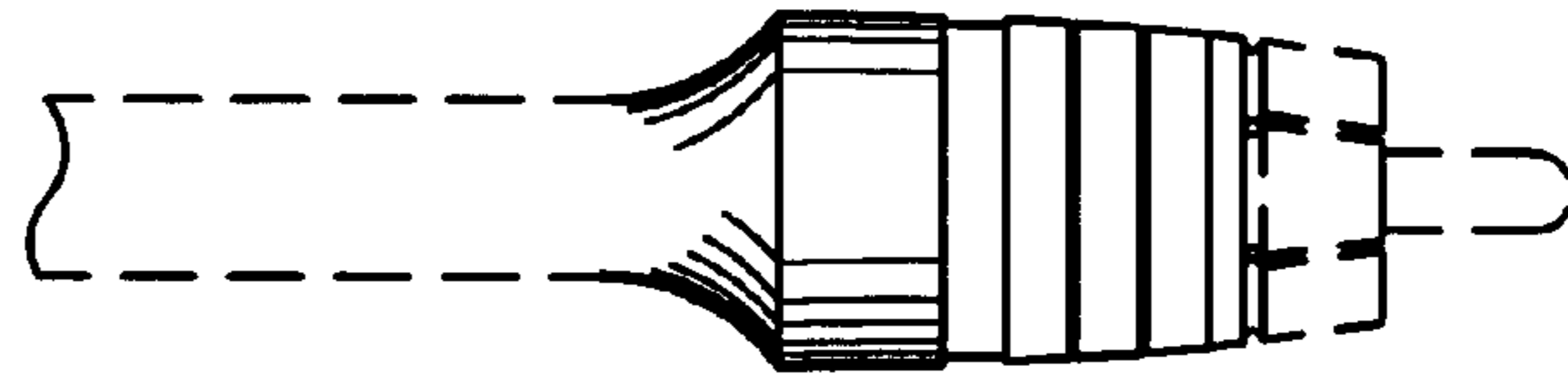


Fig. 4

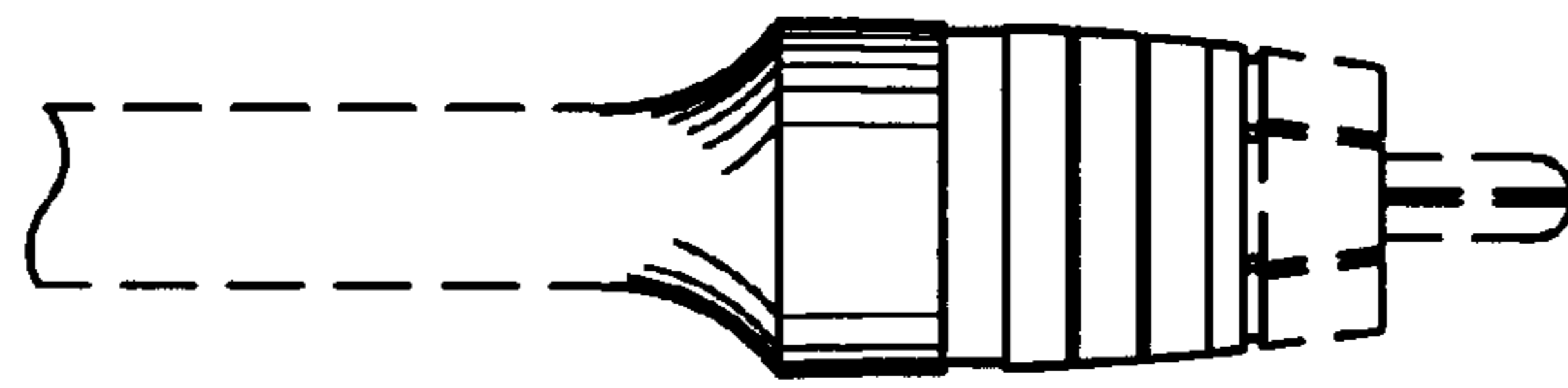


Fig. 5

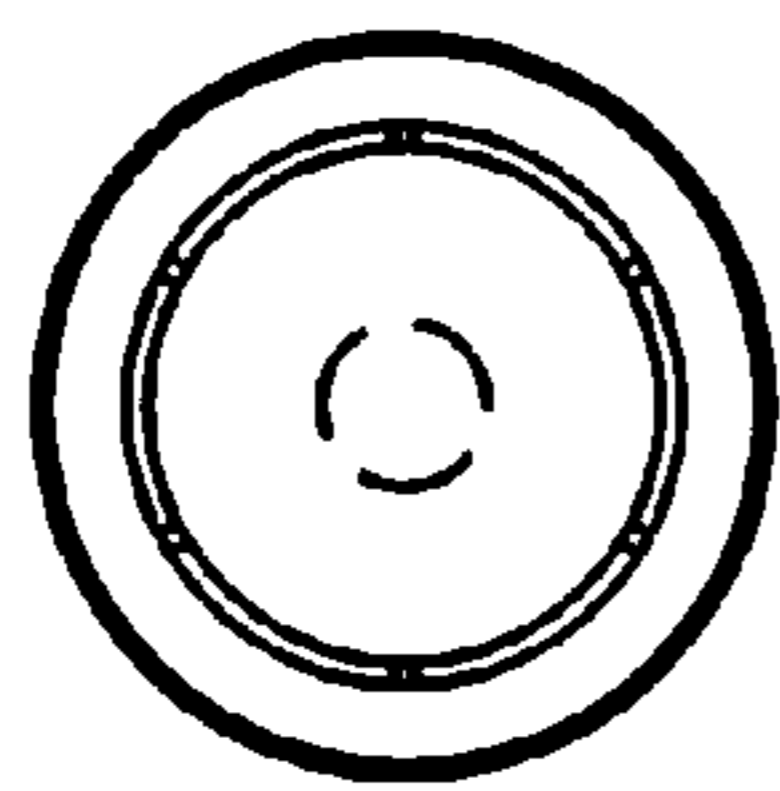


Fig. 6

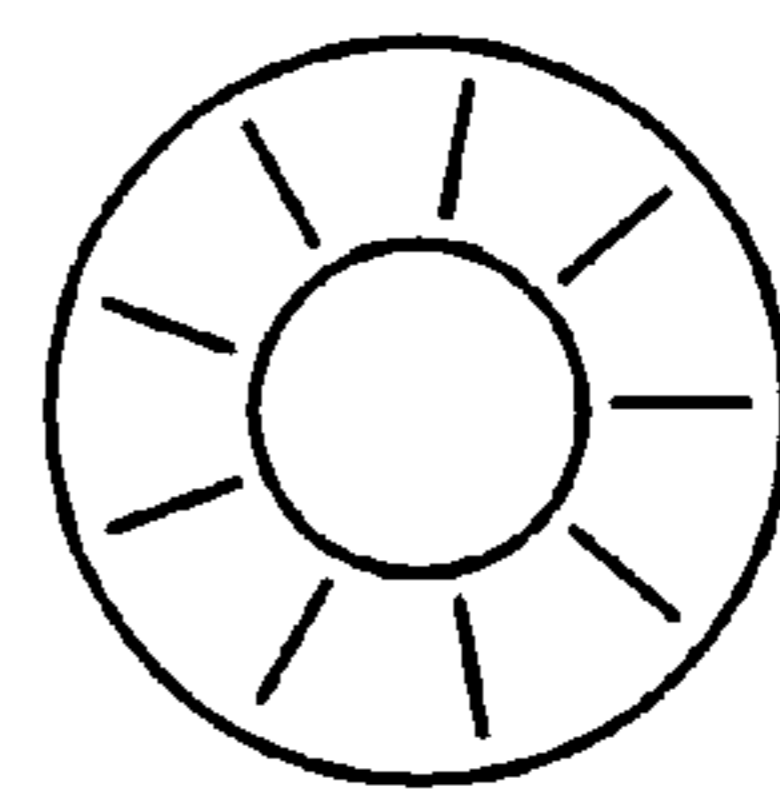


Fig. 7