



US00D450296B1

(12) **United States Design Patent**  
**Lee**

(10) **Patent No.:** **US D450,296 S**

(45) **Date of Patent:** **\*\* Nov. 13, 2001**

(54) **MINIATURE CONNECTOR WITH MOLDED BOOT HAVING TWO SHOULDERS**

(75) Inventor: **Kendrew Lee**, Sunnyvale, CA (US)

(73) Assignee: **Monster Cable Products, Inc.**,  
Brisbane, CA (US)

(\*\*) Term: **14 Years**

(21) Appl. No.: **29/121,152**

(22) Filed: **Mar. 31, 2000**

(51) **LOC (7) Cl.** ..... **13-03**

(52) **U.S. Cl.** ..... **D13/133**

(58) **Field of Search** ..... D13/133, 154,  
D13/156; 439/578, 668, 669, 750, 675,  
889, 851

(56) **References Cited**

**U.S. PATENT DOCUMENTS**

D. 323,643	*	2/1992	Lee	.....	D13/133
D. 400,171	*	10/1998	Nimpoeno et al.	.....	D13/133
D. 403,302	*	12/1998	Awbrey	.....	D13/133
D. 413,569	*	9/1999	Peterson et al.	.....	D13/133
D. 414,462	*	9/1999	Peterson et al.	.....	D13/133
D. 425,023	*	5/2000	Awbrey	.....	D13/133

\* cited by examiner

*Primary Examiner*—Joel Sincavage

(74) *Attorney, Agent, or Firm*—LaRiviere, Grubman & Payne, LLP

(57) **CLAIM**

The ornamental design for a miniature connector with molded boot having two shoulders, as shown and described.

**DESCRIPTION**

FIG. 1 is a perspective view of the miniature connector with molded boot having two shoulders according to the present invention.

FIG. 2 is a top view of the miniature connector with molded boot having two shoulders shown in FIG. 1.

FIG. 3 is a bottom view of the miniature connector with molded boot having two shoulders shown in FIG. 1.

FIG. 4 is a side view of the miniature connector with molded boot having two shoulders shown in FIG. 1.

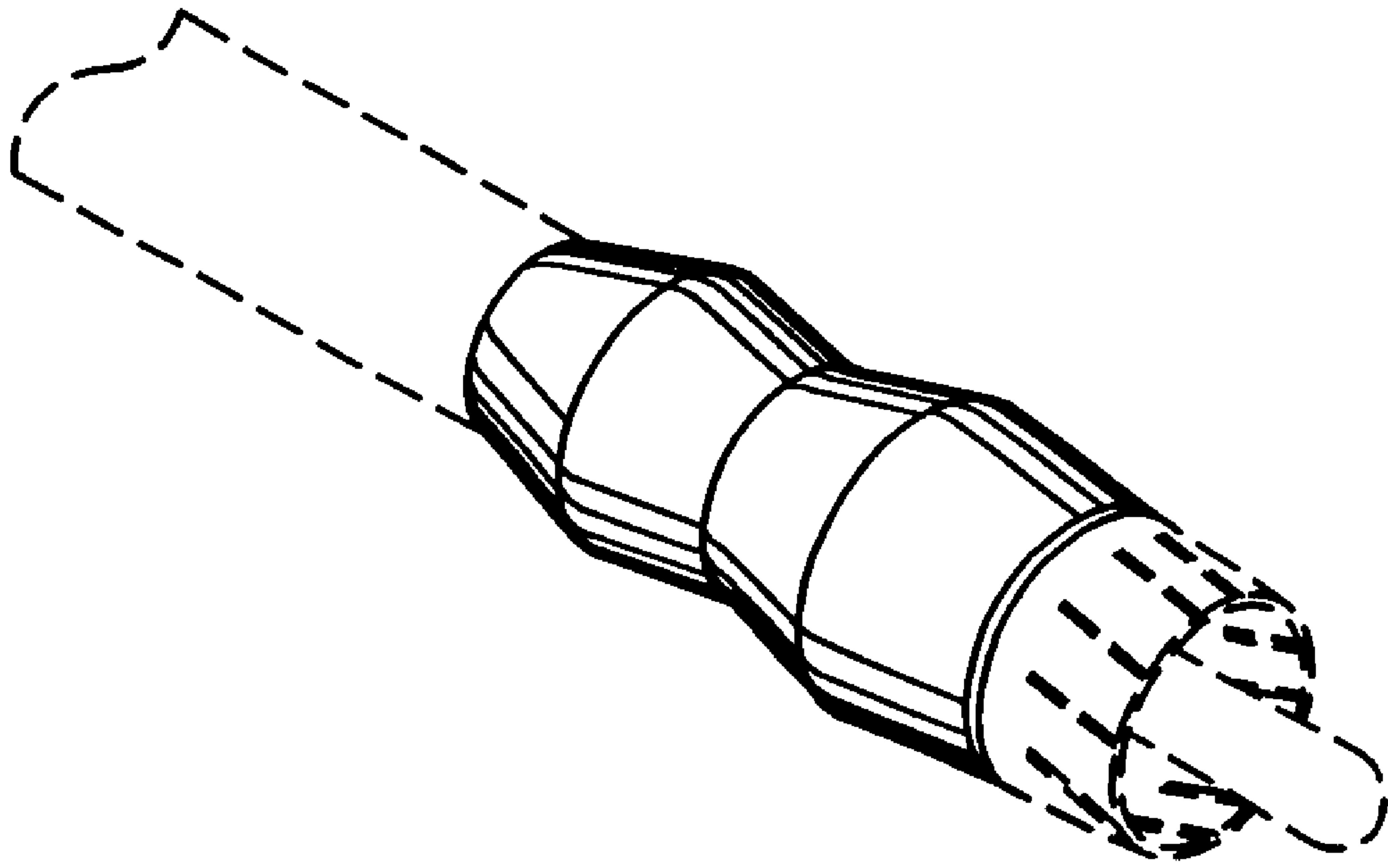
FIG. 5 is a side view of the miniature connector with molded boot having two shoulders shown in FIG. 1.

FIG. 6 is a front view of the miniature connector with molded boot having two shoulders shown in FIG. 1; and,

FIG. 7 is a rear view of the miniature connector with molded boot having two shoulders shown in FIG. 1.

The broken lines throughout the drawing figures are included for the purpose of illustrating environmental structure only and form no part of the claimed design.

**1 Claim, 2 Drawing Sheets**



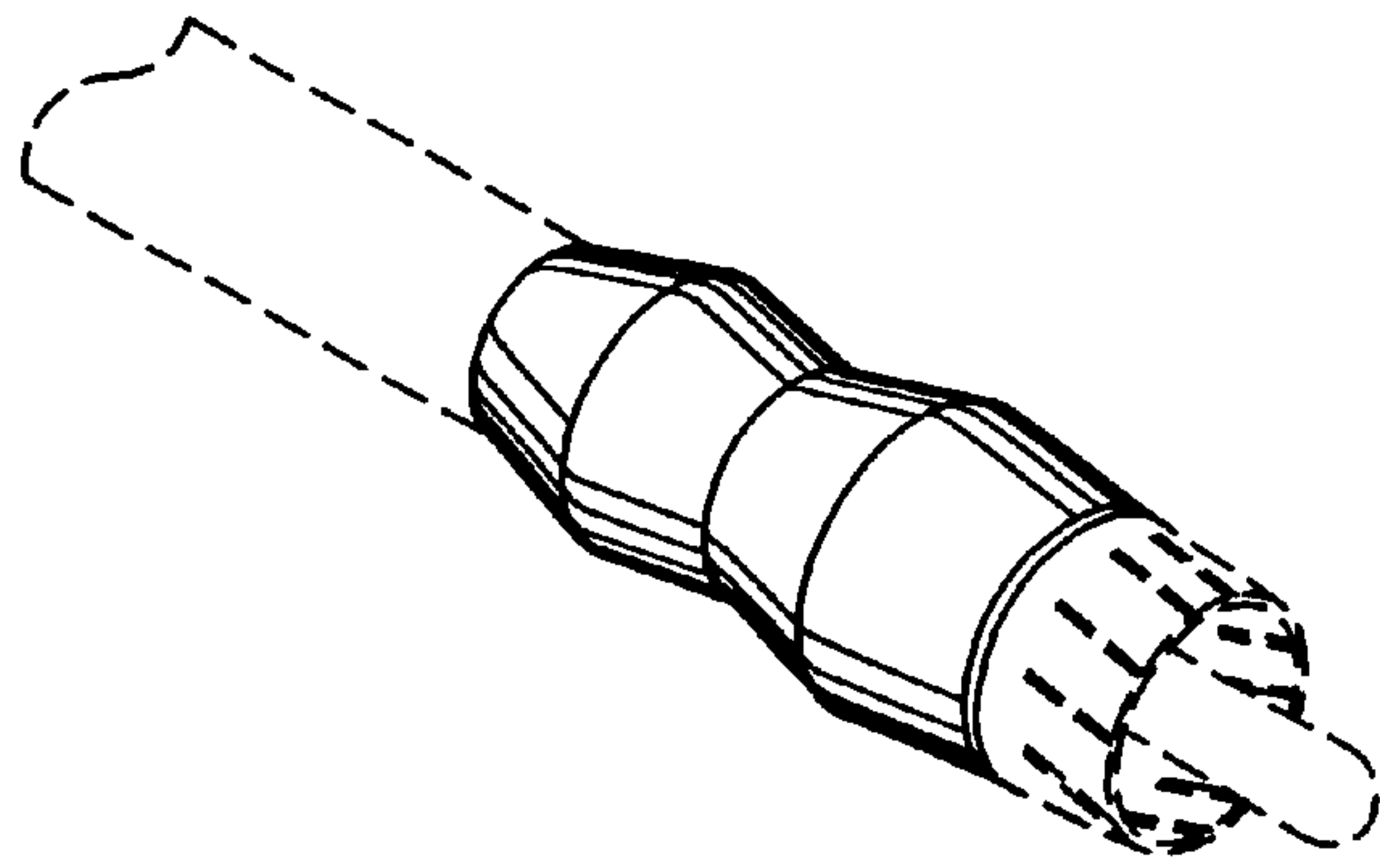


Fig. 1

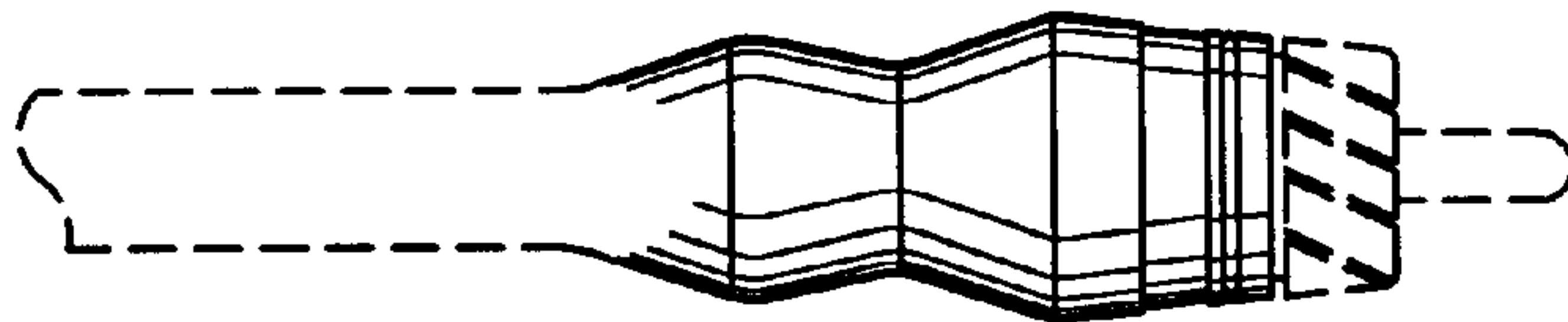


Fig. 2

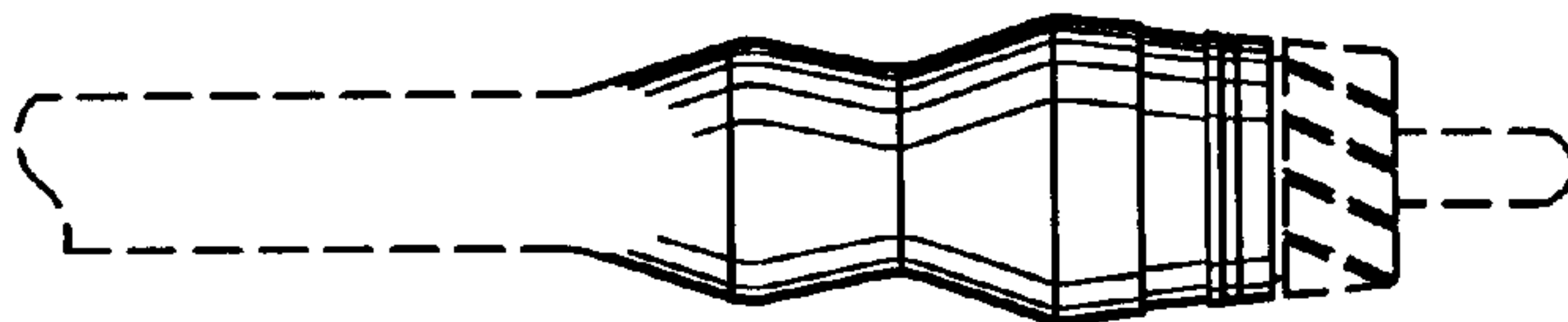


Fig. 3

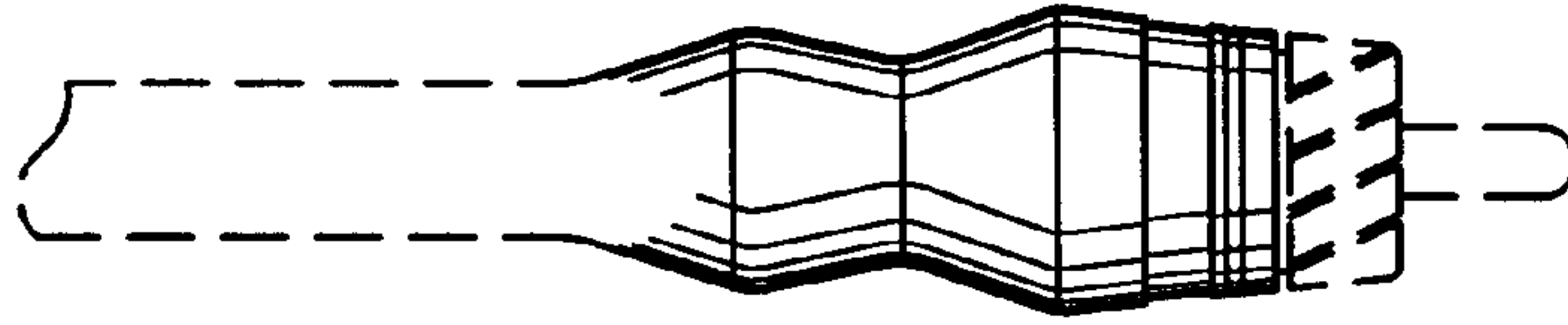


Fig. 4

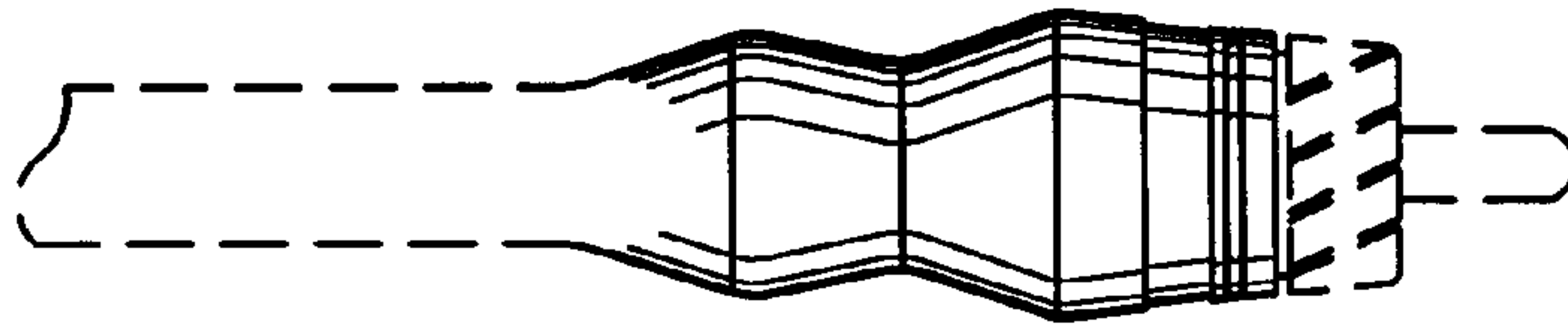


Fig. 5

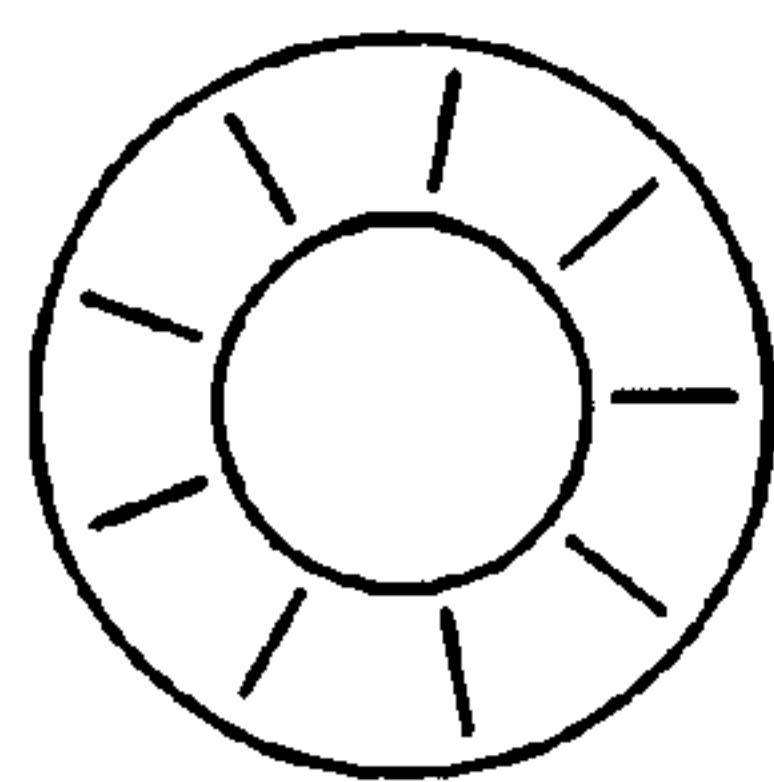


Fig. 7

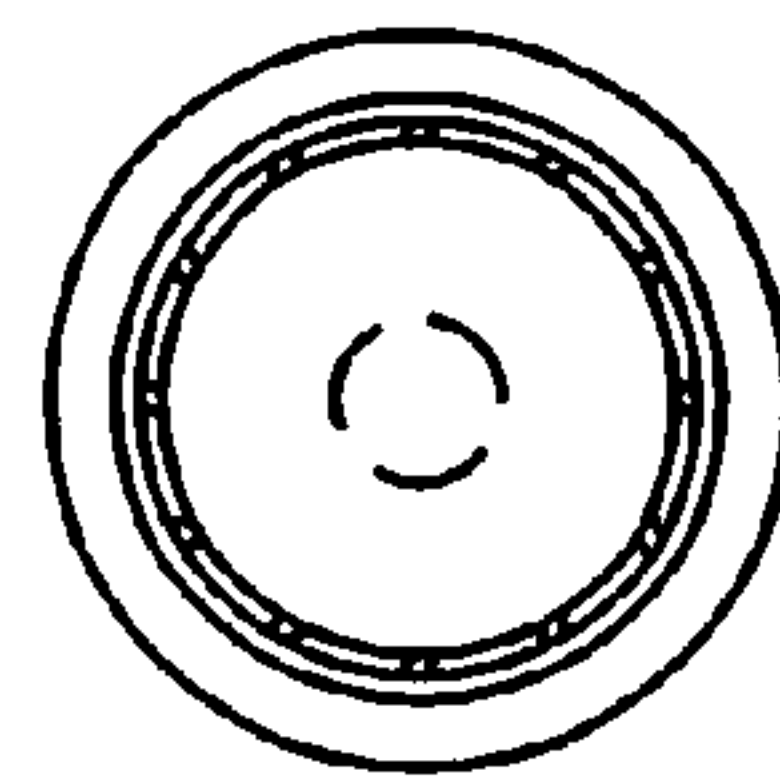


Fig. 6