



US00D450291B1

(12) **United States Design Patent**  
**Wang**

(10) **Patent No.:** **US D450,291 S**

(45) **Date of Patent:** **\*\* Nov. 13, 2001**

(54) **VEHICLE CARGO ORGANIZER**

(76) Inventor: **Chu-Li Wang**, No. 295, Lane 168, Sec. 1, Chang Hsi Road, Tainan (TW)

(\*\*) Term: **14 Years**

(21) Appl. No.: **29/144,226**

(22) Filed: **Jun. 29, 2001**

(51) **LOC (7) Cl.** ..... **12-16**

(52) **U.S. Cl.** ..... **D12/426**

(58) **Field of Search** ..... D12/400, 412-415, 12/423-426; D3/304-305, 313; D9/432, 337-339, 341-348, 456; 220/542, 530-531, 536; 296/37.1-37.6, 39.1-39.2; 224/402-405, 539-543, 549, 925, 311

(56) **References Cited**

**U.S. PATENT DOCUMENTS**

|            |   |         |               |       |         |   |
|------------|---|---------|---------------|-------|---------|---|
| D. 325,278 | * | 4/1992  | Van Der Vlies | ..... | D3/305  | X |
| D. 347,419 | * | 5/1994  | Jackson       | ..... | D12/425 |   |
| D. 348,390 | * | 7/1994  | Van Ness      | ..... | D9/346  |   |
| D. 358,125 | * | 5/1995  | Jackson       | ..... | D12/425 |   |
| D. 372,016 | * | 7/1996  | Wolford       | ..... | D12/423 |   |
| D. 373,754 | * | 9/1996  | Pinterpe      | ..... | D12/424 |   |
| D. 376,578 | * | 12/1996 | Redford       | ..... | D12/424 |   |
| D. 387,559 | * | 12/1997 | Williamson    | ..... | D3/313  |   |
| D. 392,246 | * | 3/1998  | Anderson      | ..... | D12/400 |   |
| D. 397,322 | * | 8/1998  | Tobin         | ..... | D12/414 |   |

|            |   |         |                |       |         |   |
|------------|---|---------|----------------|-------|---------|---|
| D. 405,610 | * | 2/1999  | Rasmussen      | ..... | D3/305  |   |
| D. 412,151 | * | 7/1999  | Ferrigan       | ..... | D12/423 |   |
| D. 421,183 | * | 2/2000  | Koskinen       | ..... | D3/304  | X |
| D. 434,369 | * | 11/2000 | Matthies       | ..... | D12/426 |   |
| 4,718,584  | * | 1/1988  | Schoeny        | ..... | 224/311 | X |
| 5,161,700  | * | 11/1992 | Stannis et al. | ..... | 224/311 | X |
| 5,392,972  | * | 2/1995  | Caruso et al.  | ..... | 224/311 | X |
| 5,526,972  | * | 6/1996  | Frazier et al. | ..... | 224/539 |   |

\* cited by examiner

*Primary Examiner*—Stacia Cadmus

(74) *Attorney, Agent, or Firm*—Bacon & Thomas, PLLC

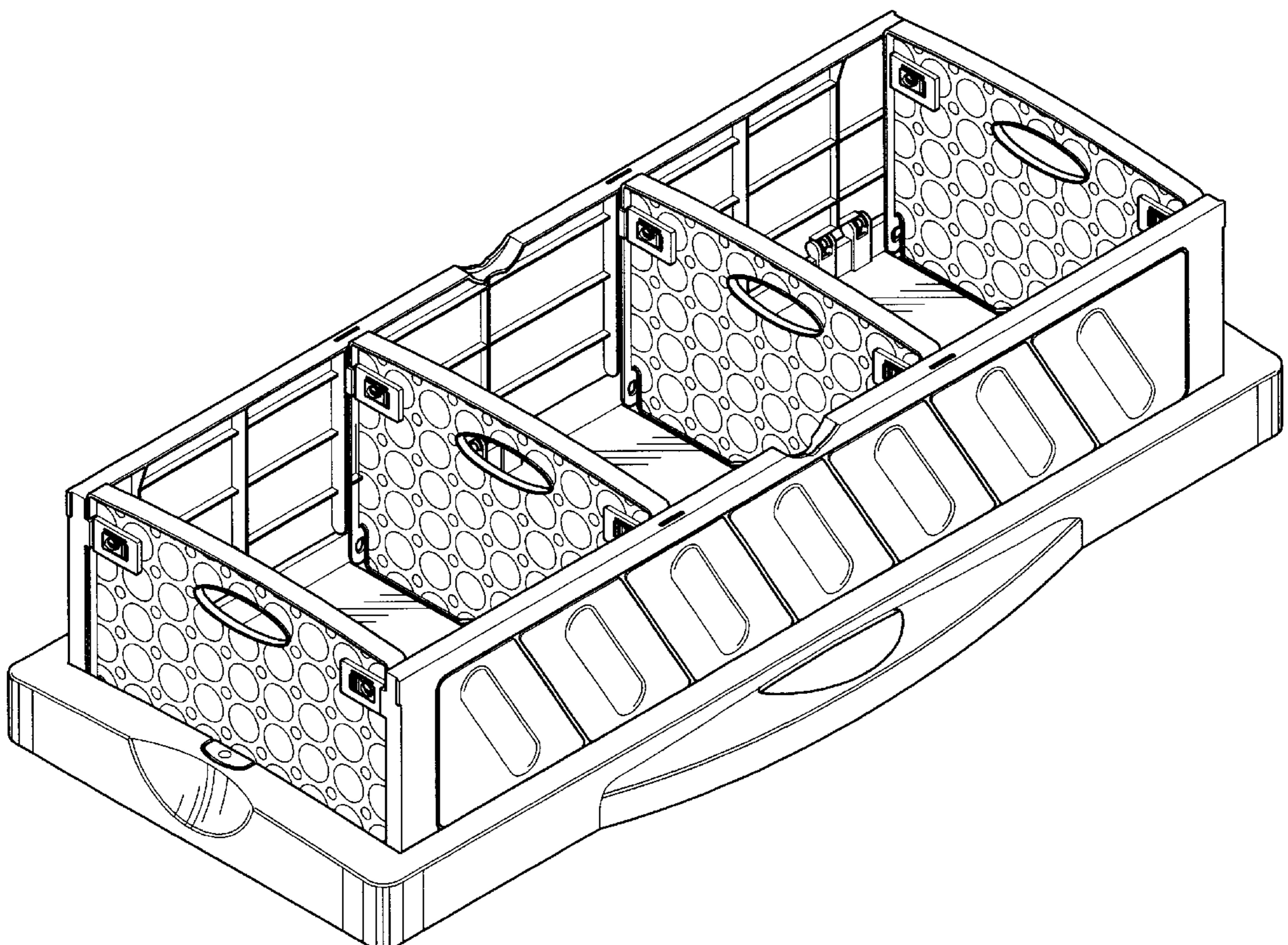
(57) **CLAIM**

The ornamental design for a vehicle cargo organizer, as shown and described.

**DESCRIPTION**

FIG. 1 is a perspective view of a vehicle cargo organizer showing my new design;  
 FIG. 2 is a right side elevational view thereof;  
 FIG. 3 is a top plan view thereof;  
 FIG. 4 is a front elevational view thereof;  
 FIG. 5 is a bottom plan view thereof;  
 FIG. 6 is a left side elevational view thereof; and,  
 FIG. 7 is a rear elevational view thereof; and,  
 FIG. 8 is a perspective view thereof shown in folded position.

**1 Claim, 7 Drawing Sheets**



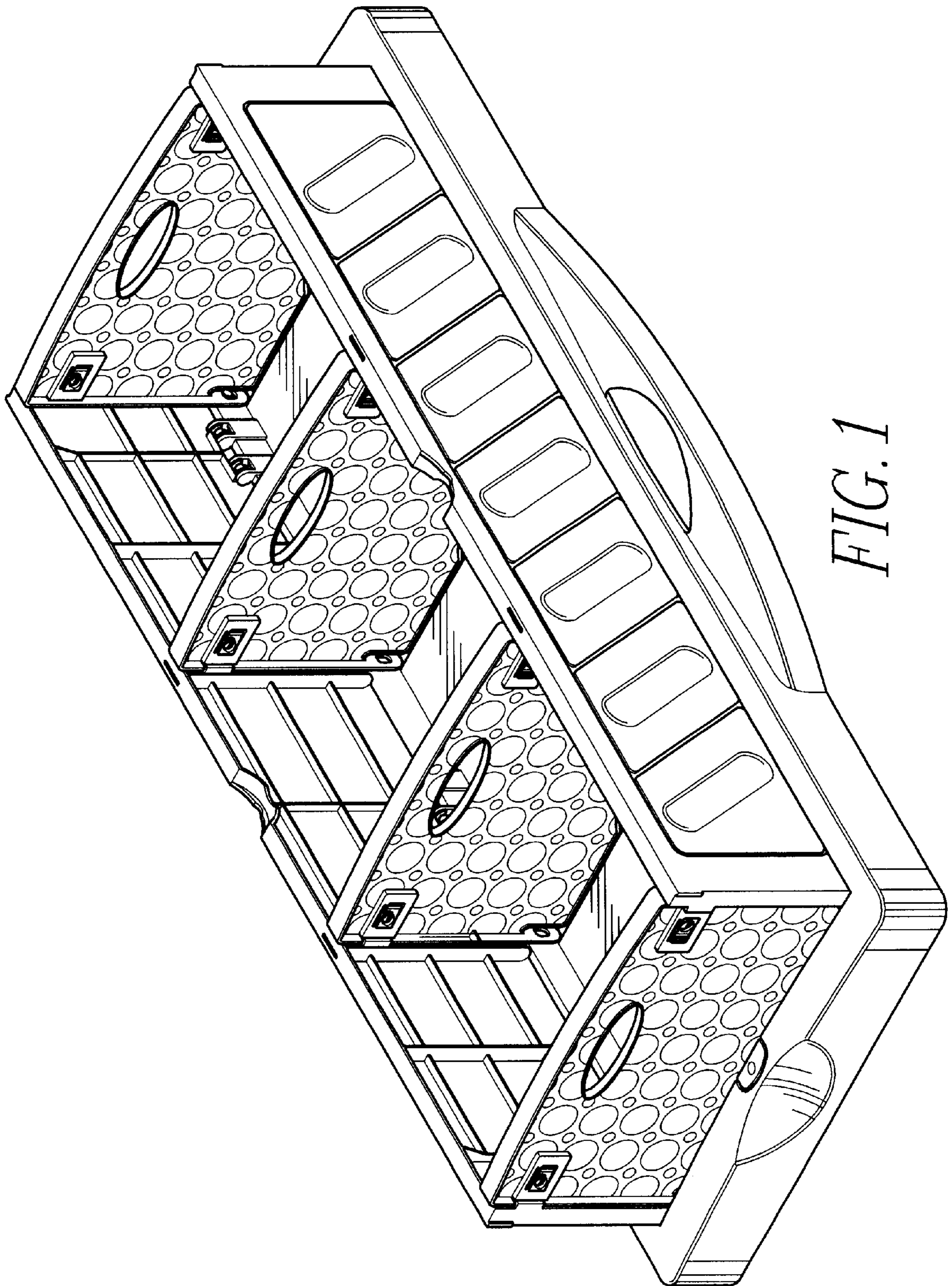
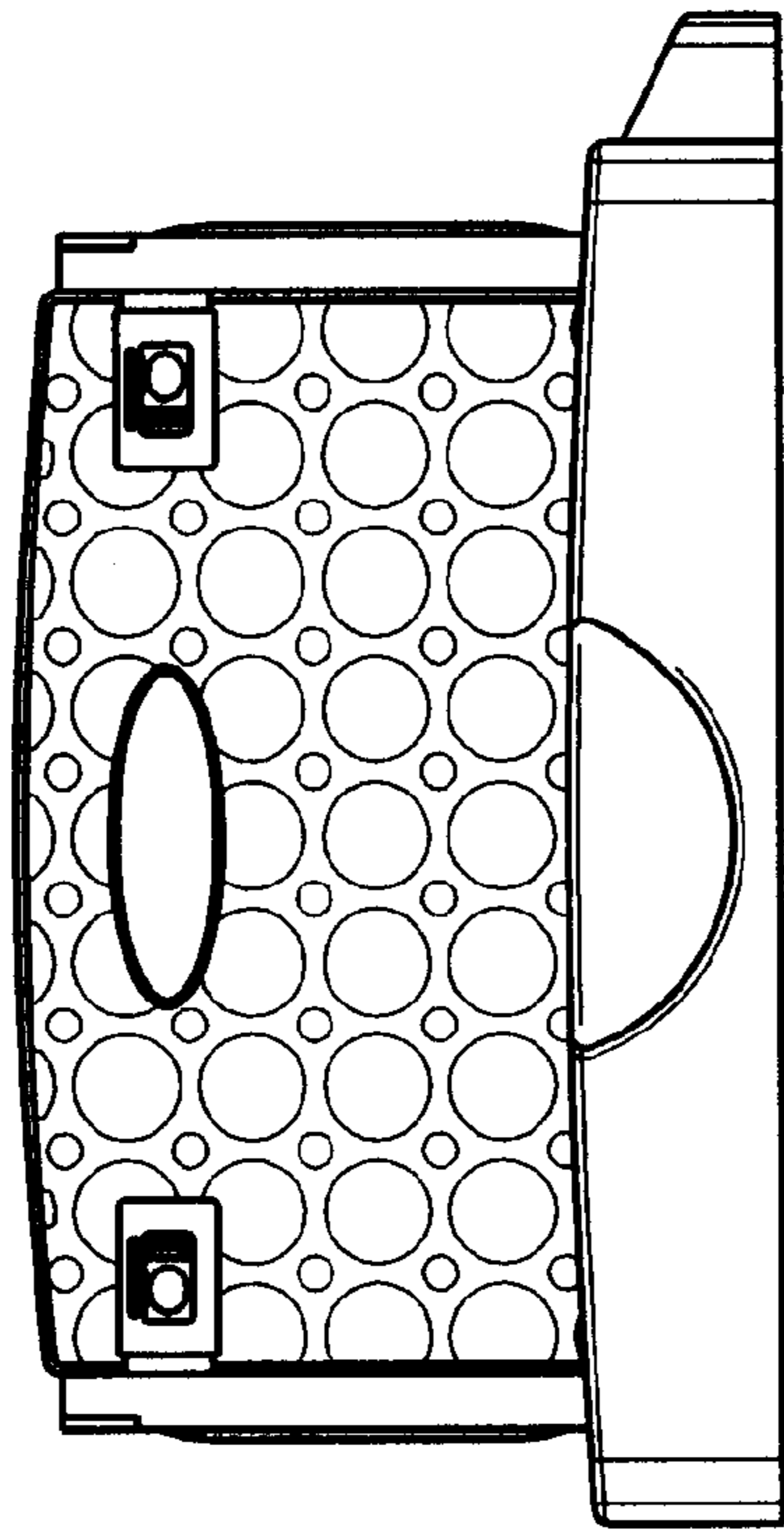
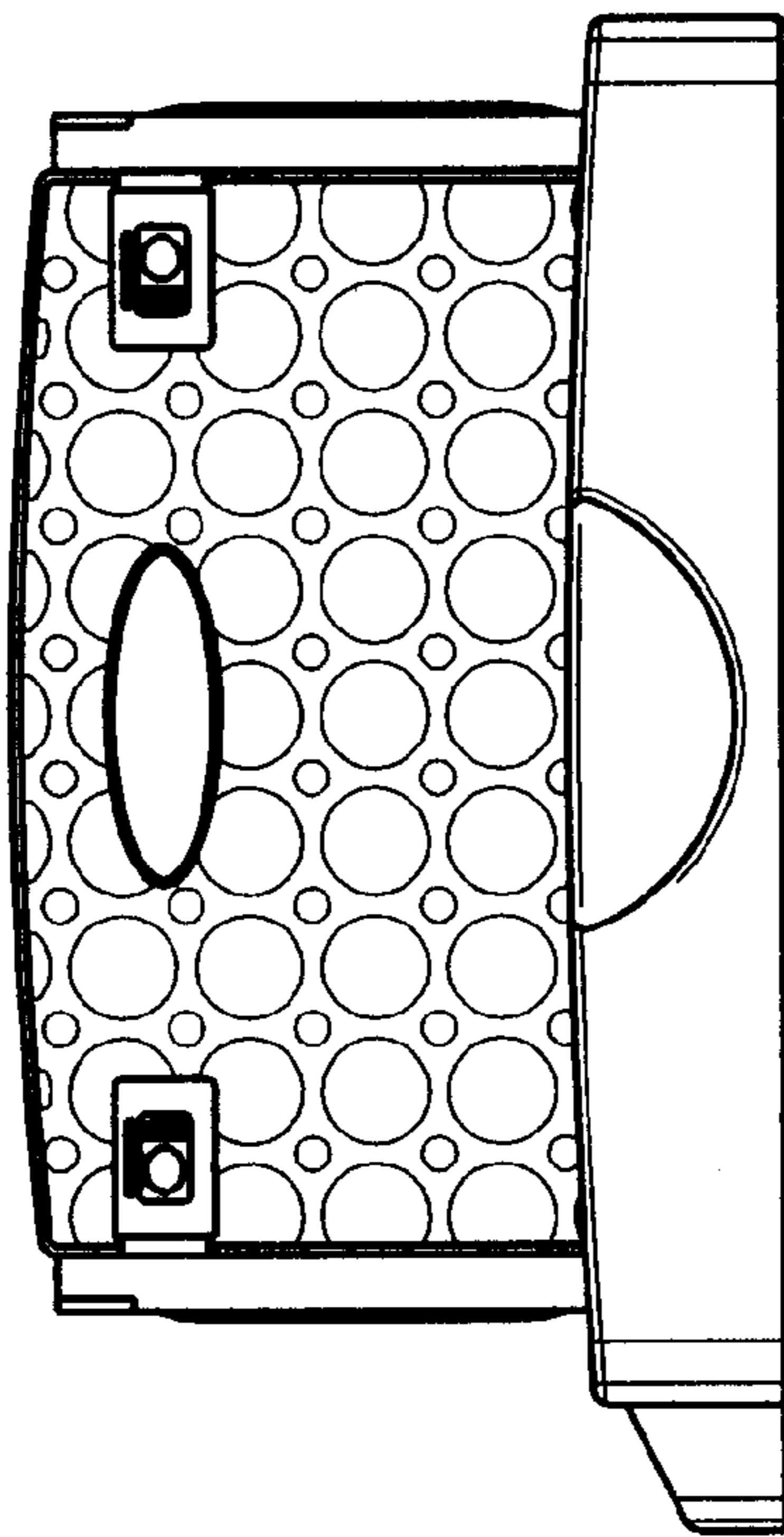


FIG. 1



*FIG. 6*



*FIG. 2*

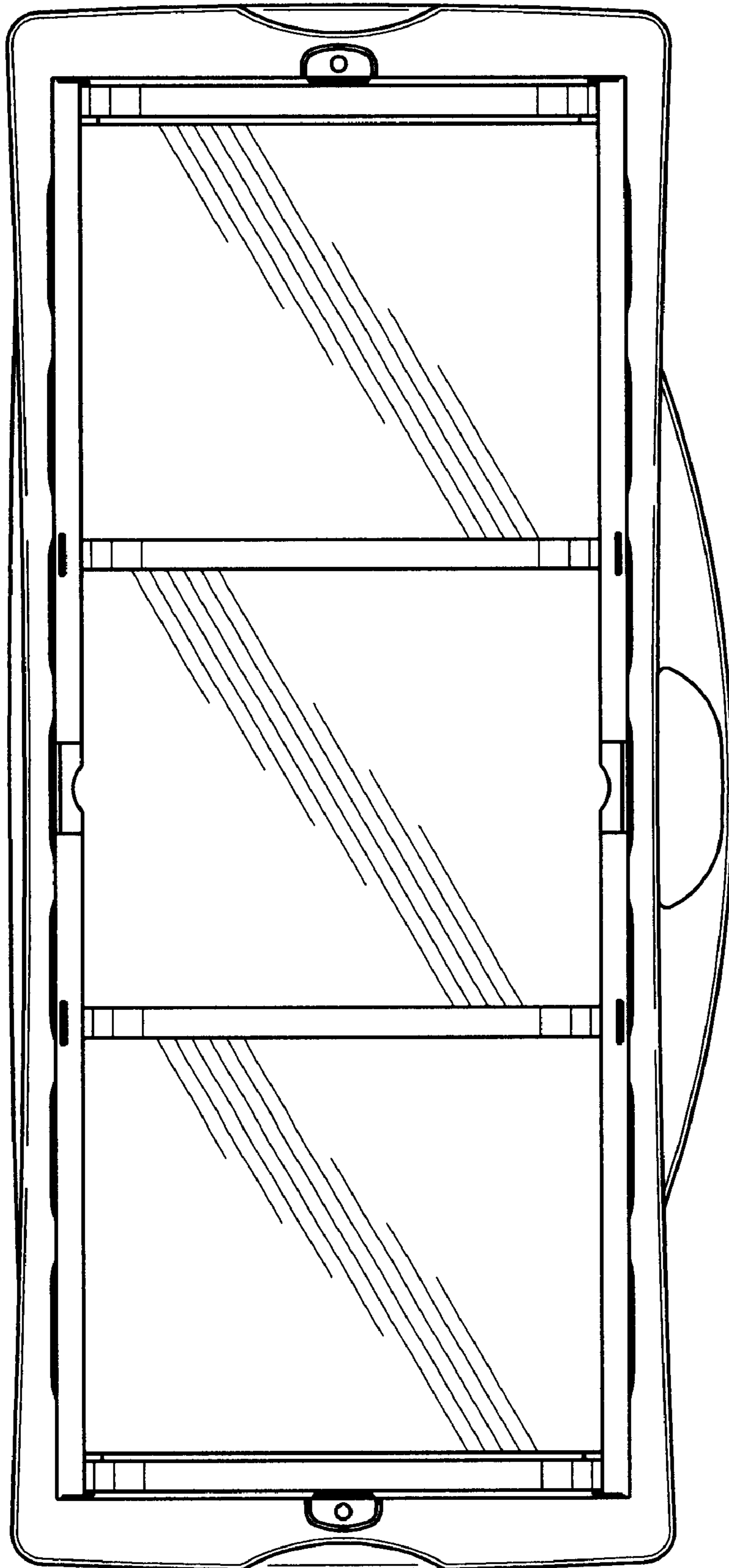


FIG. 3

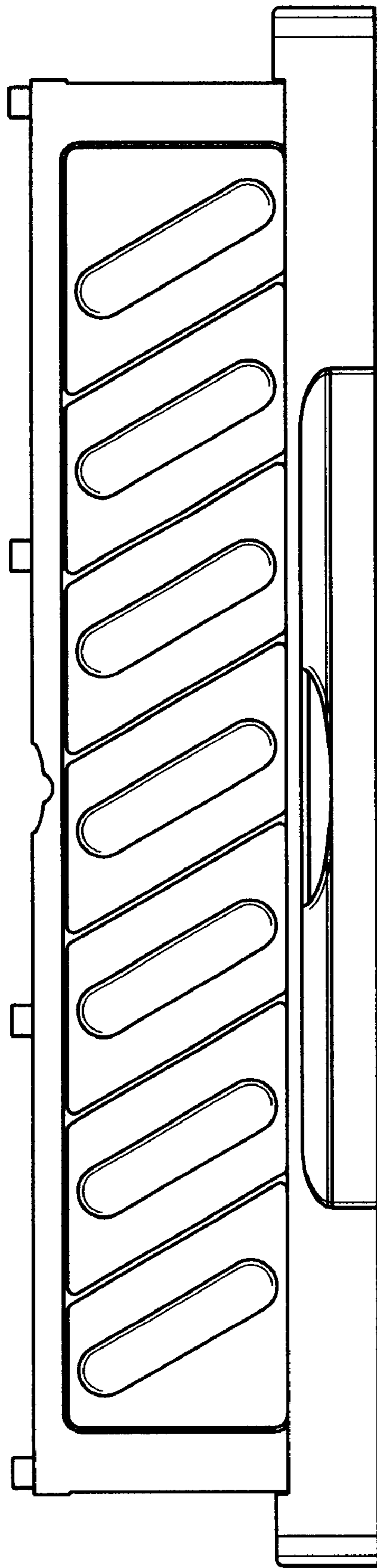


FIG. 4

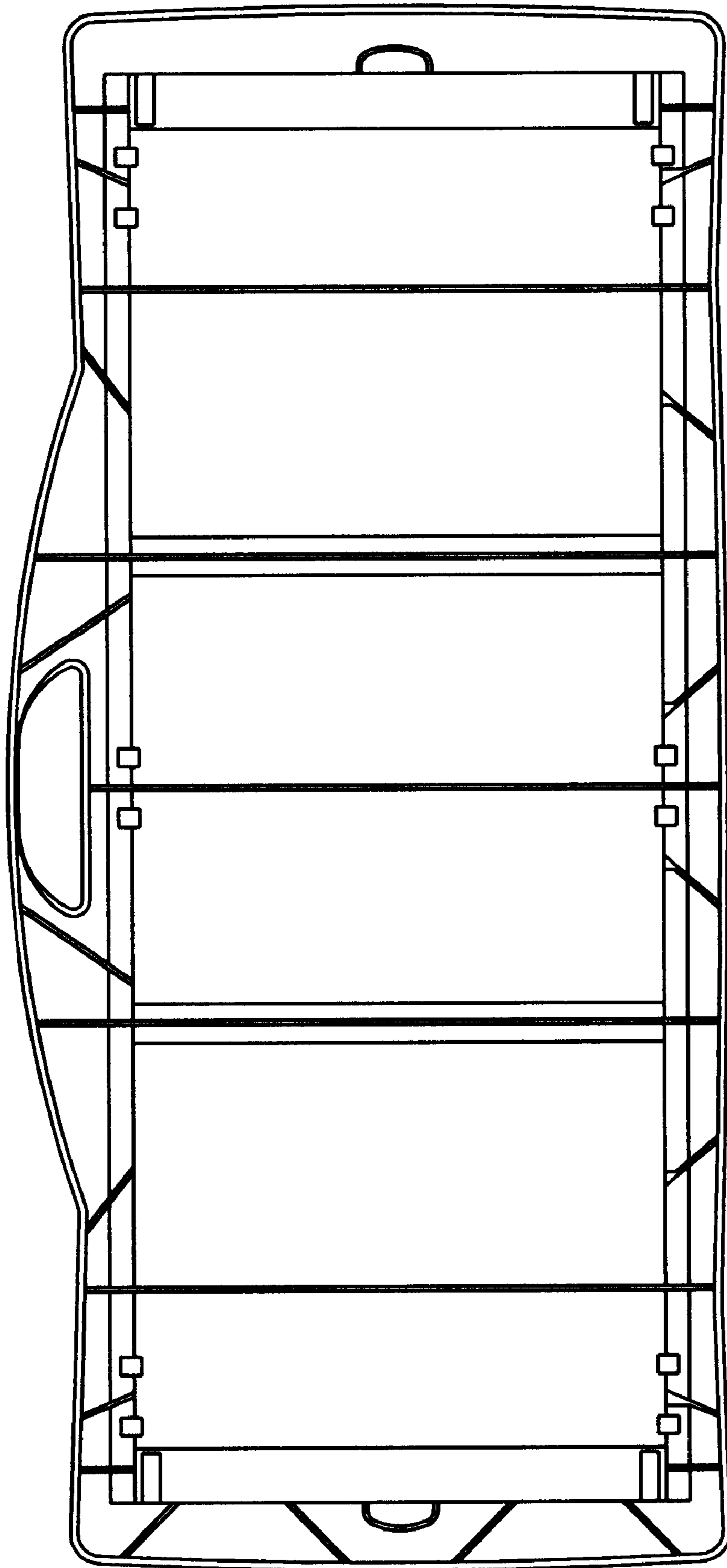


FIG. 5

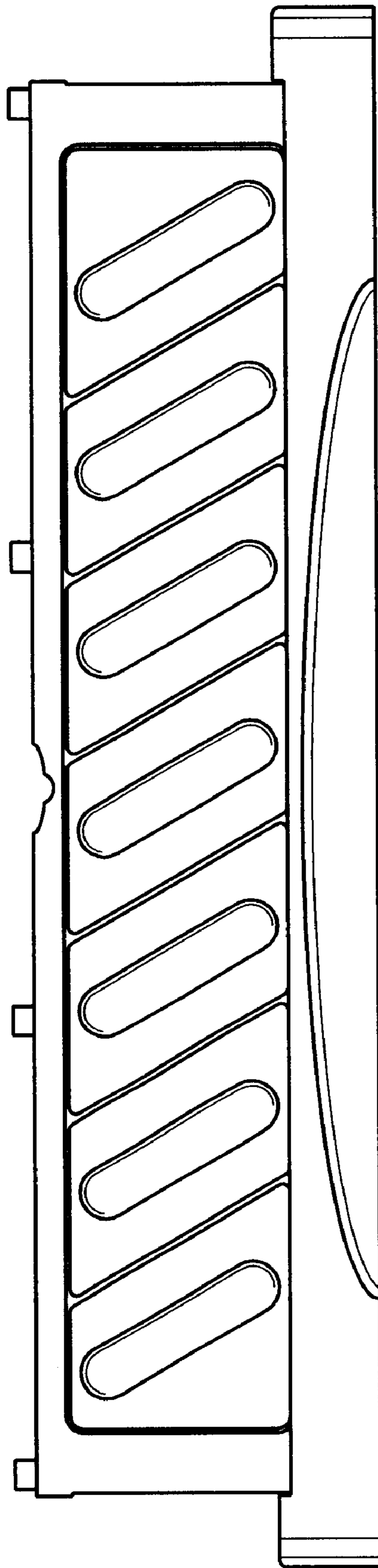


FIG. 7

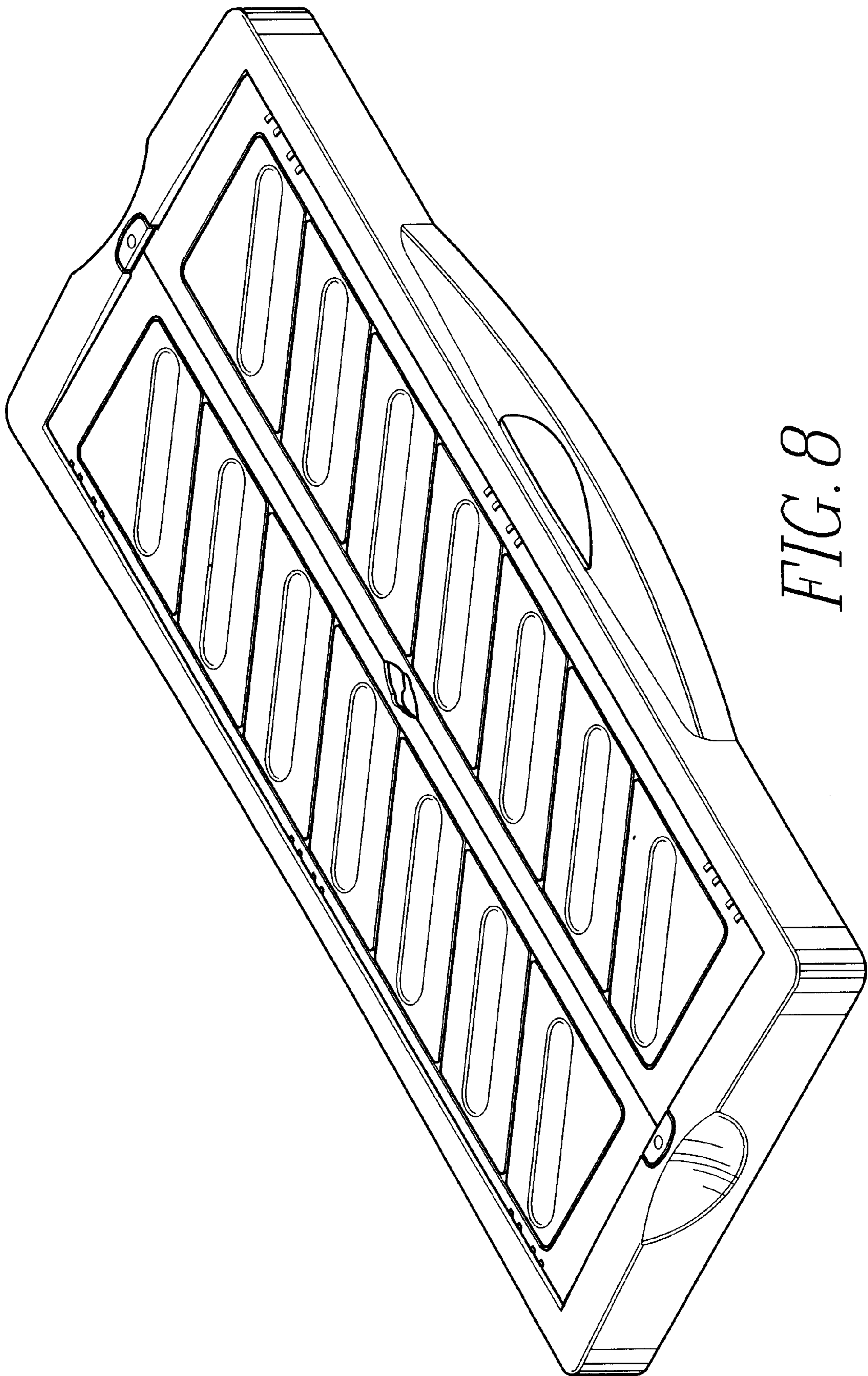


FIG. 8