



US00D450290B1

(12) **United States Design Patent**
Schardt

(10) **Patent No.:** **US D450,290 S**

(45) **Date of Patent:** **** Nov. 13, 2001**

(54) **WHEEL CAP**

(75) **Inventor:** **James J. Schardt, Dayton, OH (US)**

(73) **Assignee:** **Dayton Wheel Products Company,
Dayton, OH (US)**

(**) **Term:** **14 Years**

(21) **Appl. No.:** **29/136,738**

(22) **Filed:** **Feb. 6, 2001**

(51) **LOC (7) Cl.** **12-16**

(52) **U.S. Cl.** **D12/213**

(58) **Field of Search** D12/204, 207,
D12/213, 400; 301/64.1, 65, 37.1; D9/454,
445, 435; D8/387, 397

(56) **References Cited**

U.S. PATENT DOCUMENTS

D. 43,085	*	10/1912	Sugden	D12/213
D. 62,163	*	4/1923	Bourgon	D12/213
D. 80,710		3/1930	Toncray	.	
D. 80,711		3/1930	Toncray	.	
D. 170,114	*	8/1953	Dieterich	D12/213
D. 171,971		4/1954	Flajole	D14/30
D. 202,774	*	11/1965	Nash	D12/213
D. 232,430		8/1974	Clary	D12/204

D. 321,164	*	10/1991	Gibson	D12/213
D. 370,000		5/1996	Lombard	D12/204
D. 392,240	*	3/1998	Kingsland	D12/213
D. 392,929		3/1998	Lombard	D12/204
D. 393,441		4/1998	Lombard	D12/204
D. 407,362		3/1999	Schardt	D12/204
D. 435,007	*	12/2000	Moore	D12/213
3,005,906		10/1961	Butler, Jr.	240/8.12

* cited by examiner

Primary Examiner—Stacia Cadmus

(74) *Attorney, Agent, or Firm*—Thompson Hine & Flory LLP

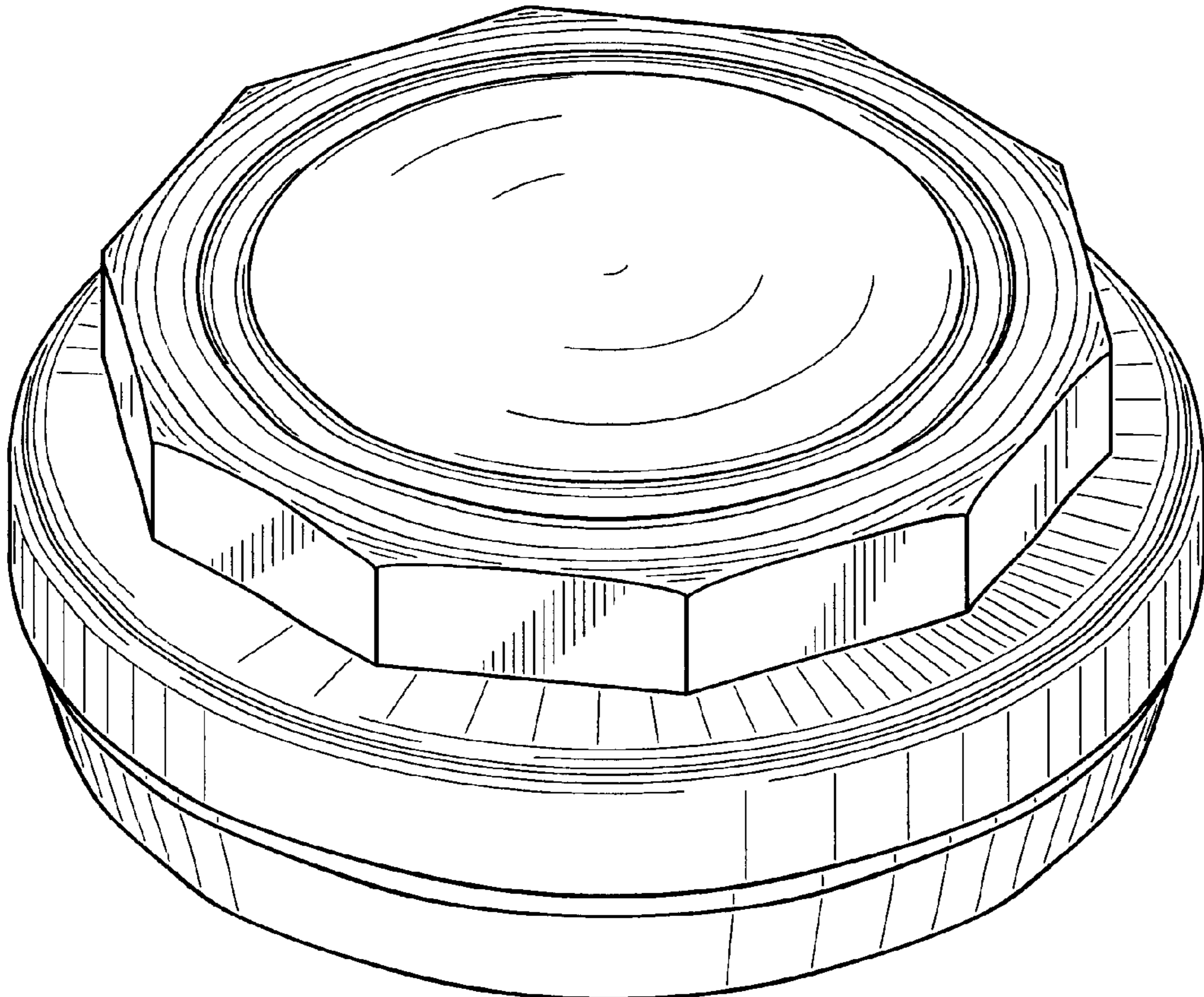
(57) **CLAIM**

The ornamental design for a wheel cap, as shown and described.

DESCRIPTION

FIG. 1 is a front perspective view of my new wheel cap; FIG. 2 is a top plan view of the wheel cap of FIG. 1; FIG. 3 is a side elevational view of the wheel cap of FIG. 1; FIG. 4 is a side elevational view of the wheel cap of FIG. 1; FIG. 5 is a side elevational view of the wheel cap of FIG. 1; FIG. 6 is a side elevational view of the wheel cap of FIG. 1; and, FIG. 7 is a bottom plan view of the wheel cap of FIG. 1.

1 Claim, 4 Drawing Sheets



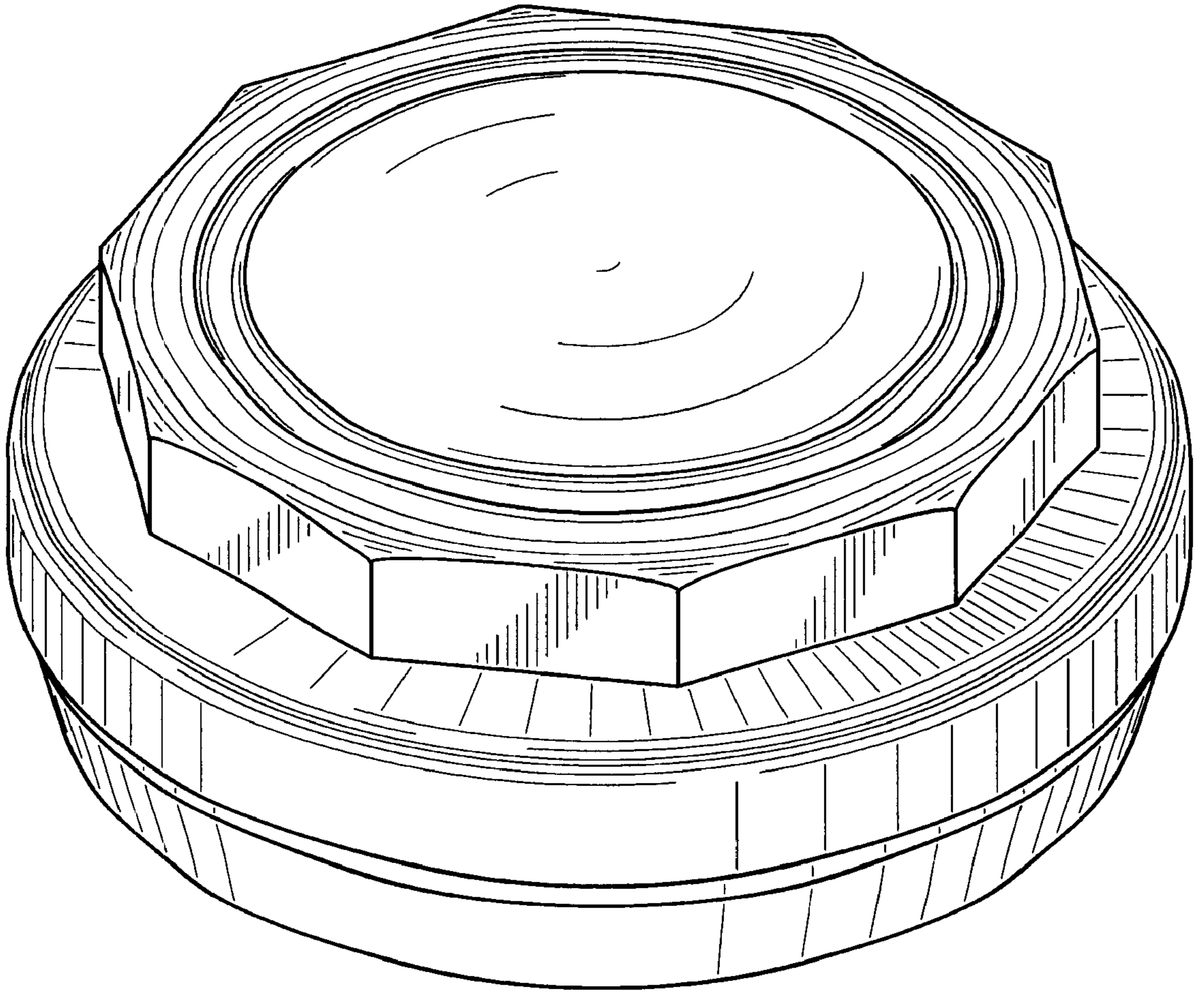


FIG. 1

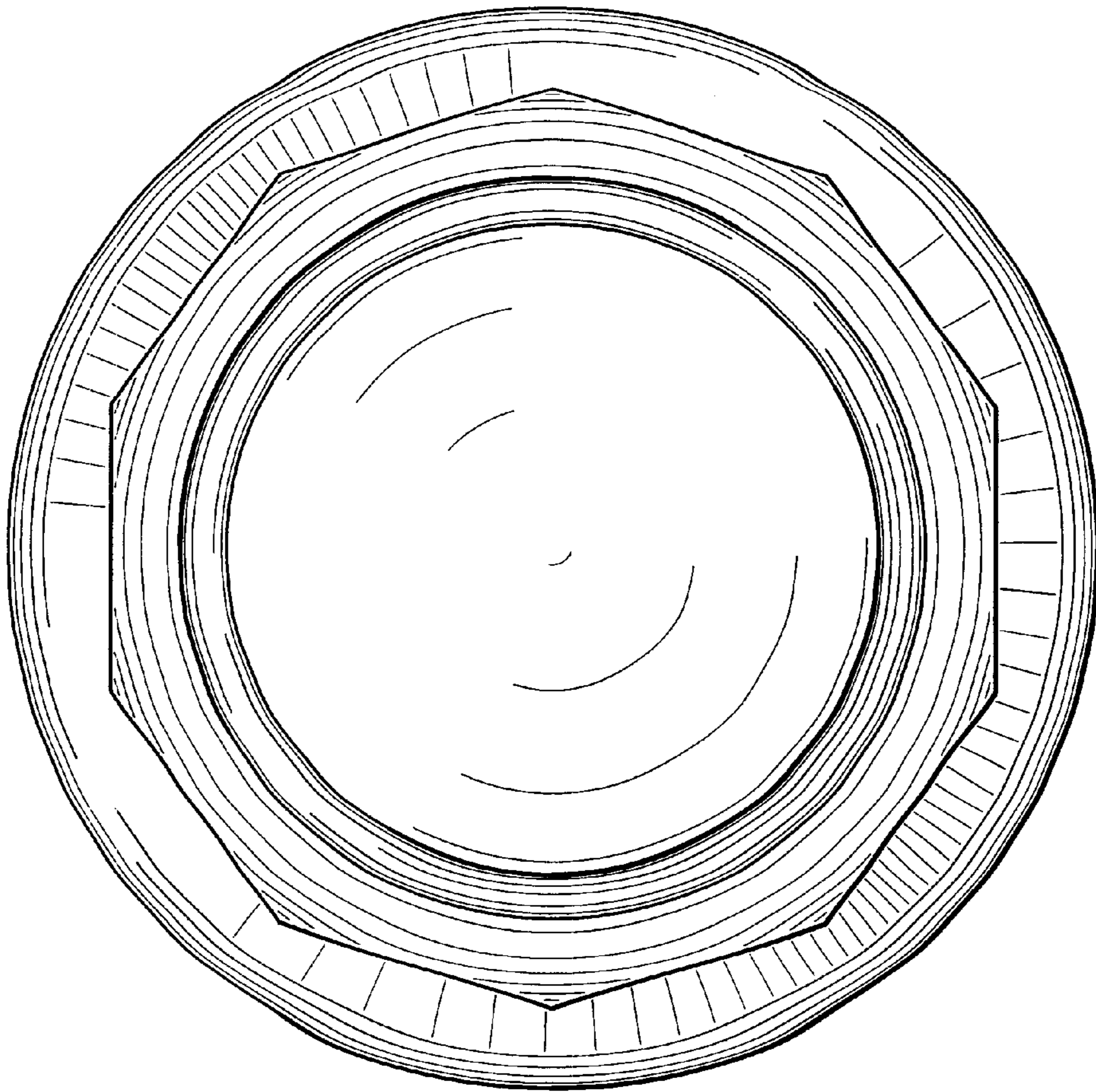


FIG. 2

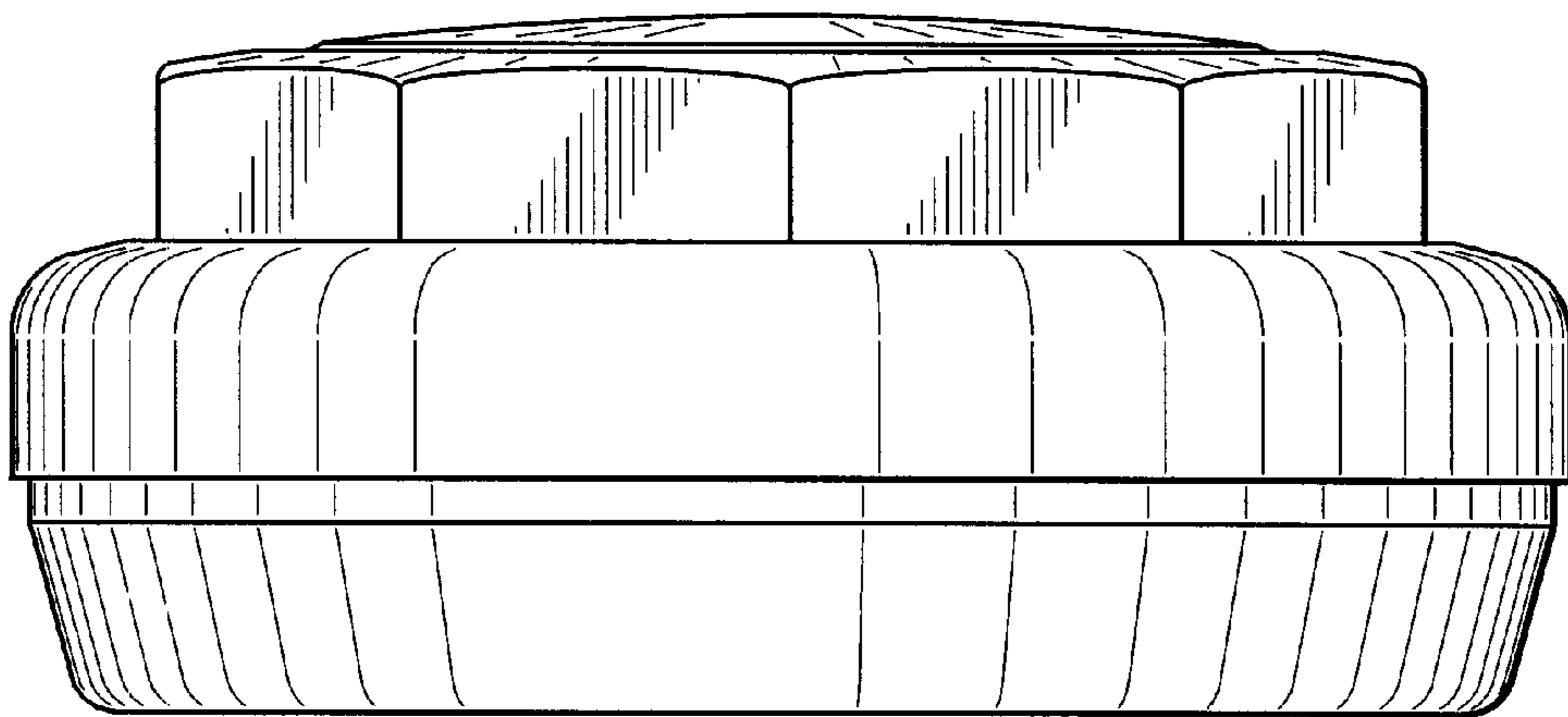


FIG. 3

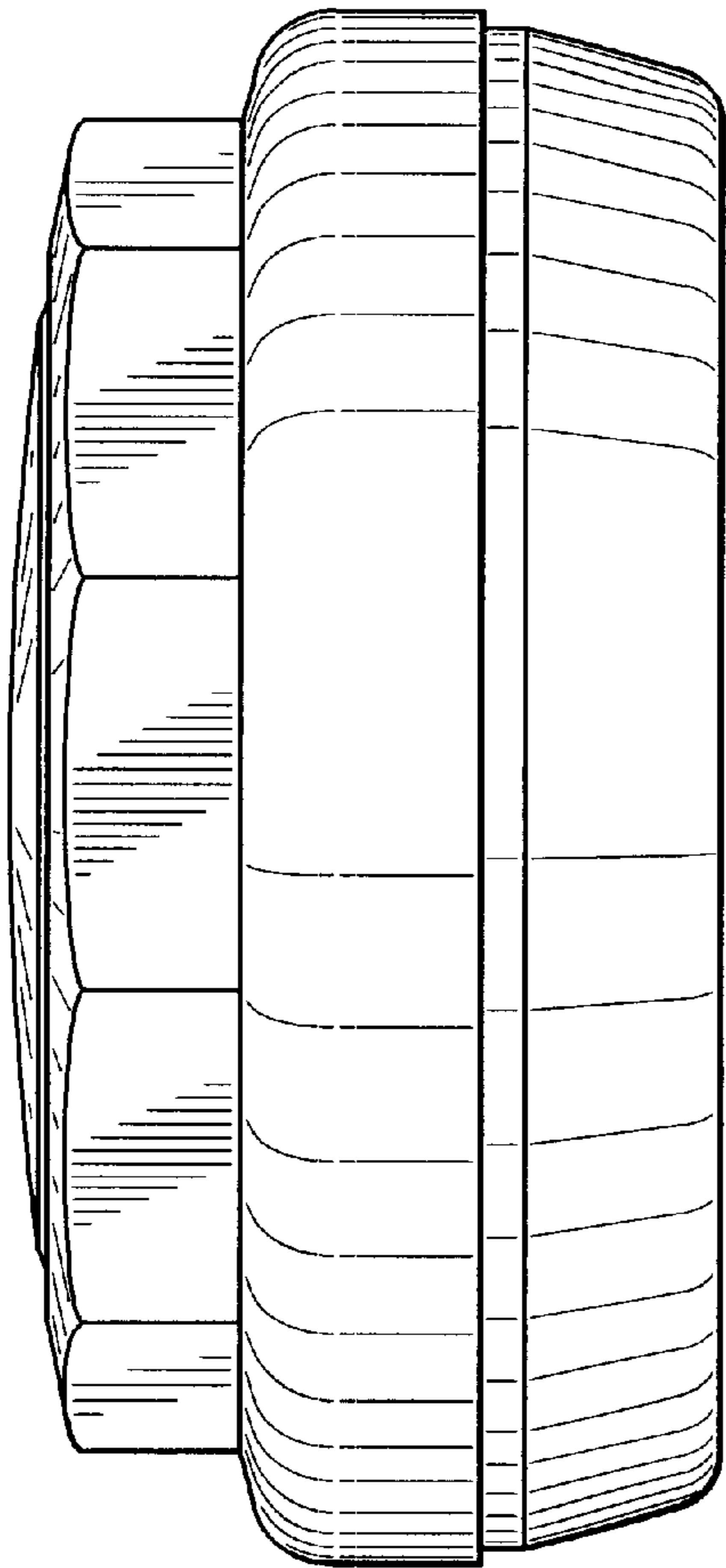


FIG. 4

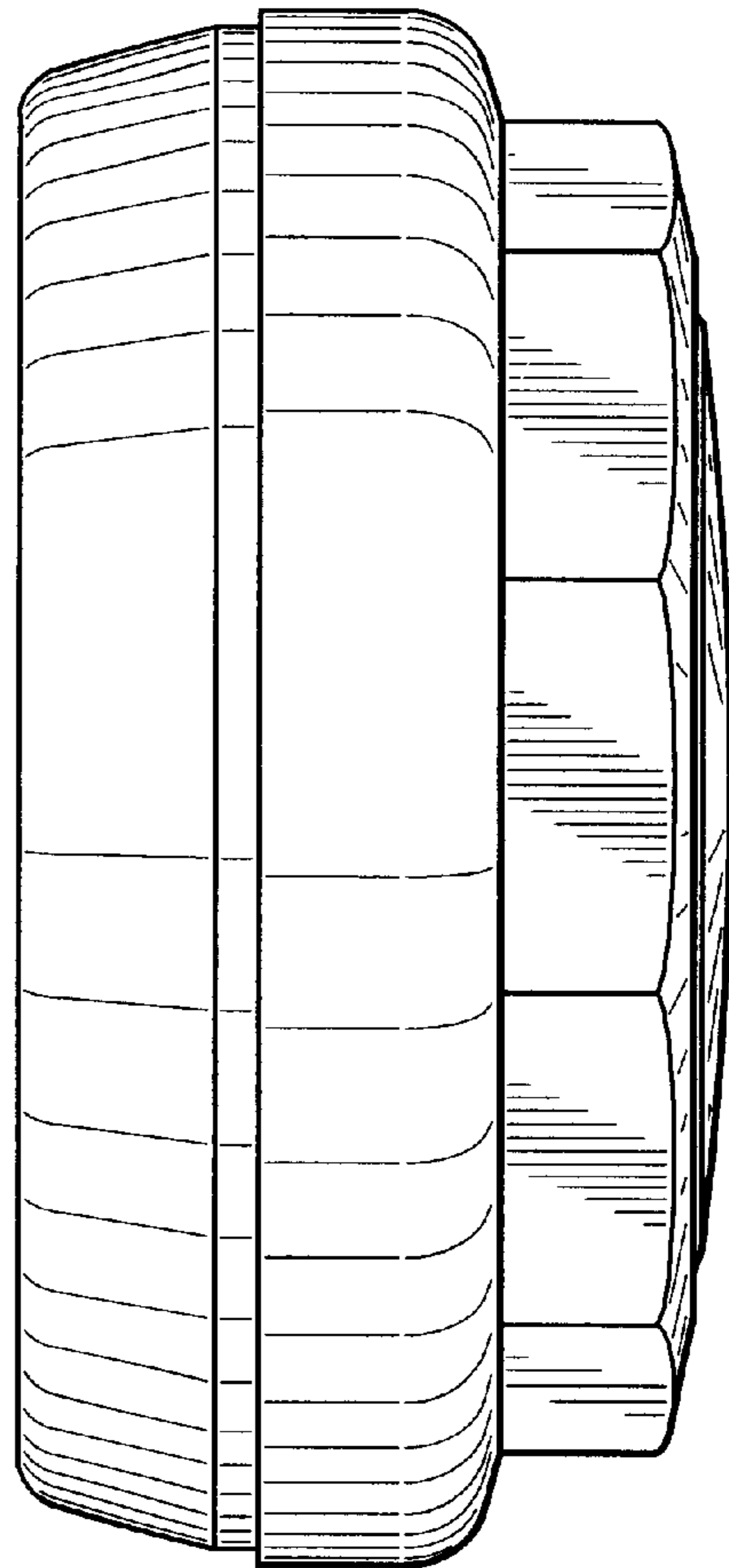


FIG. 5

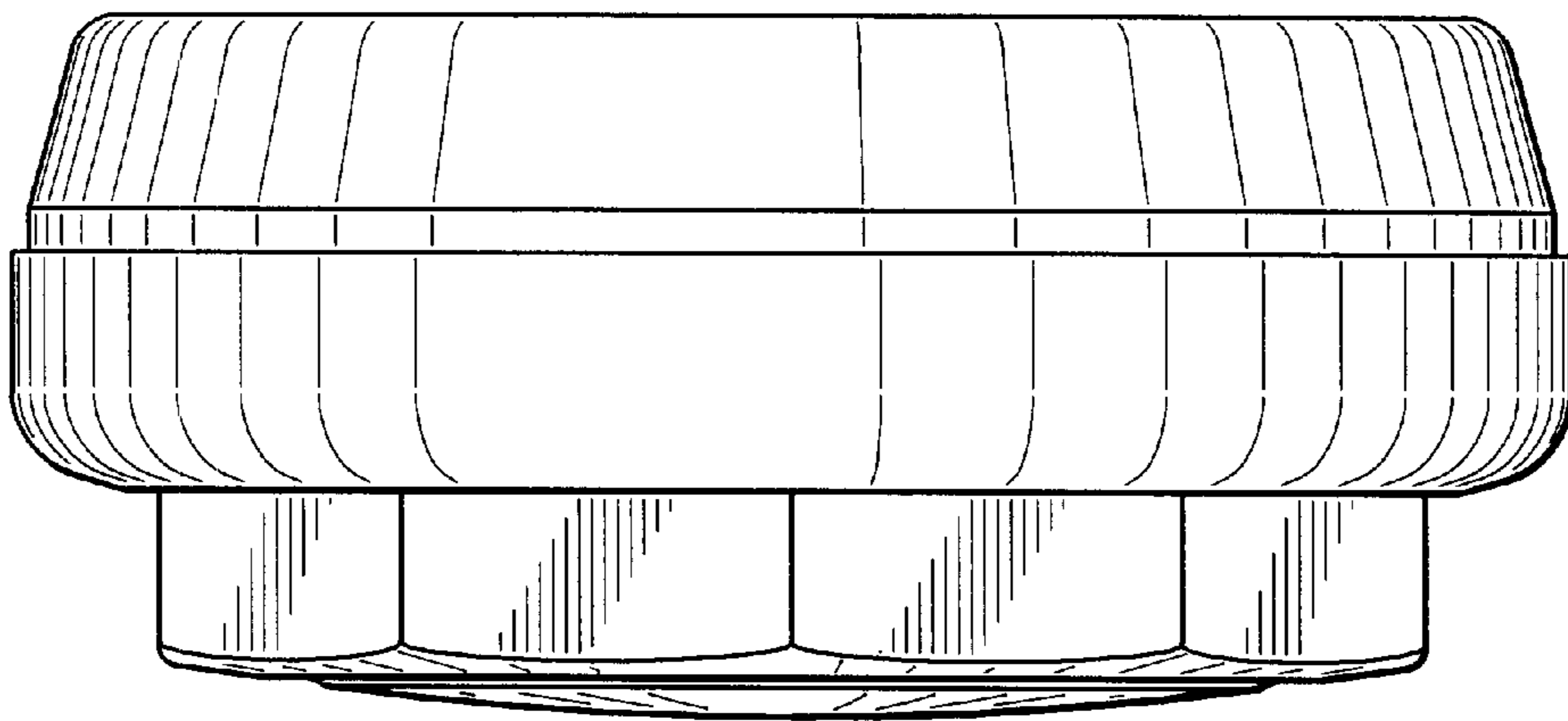


FIG. 6

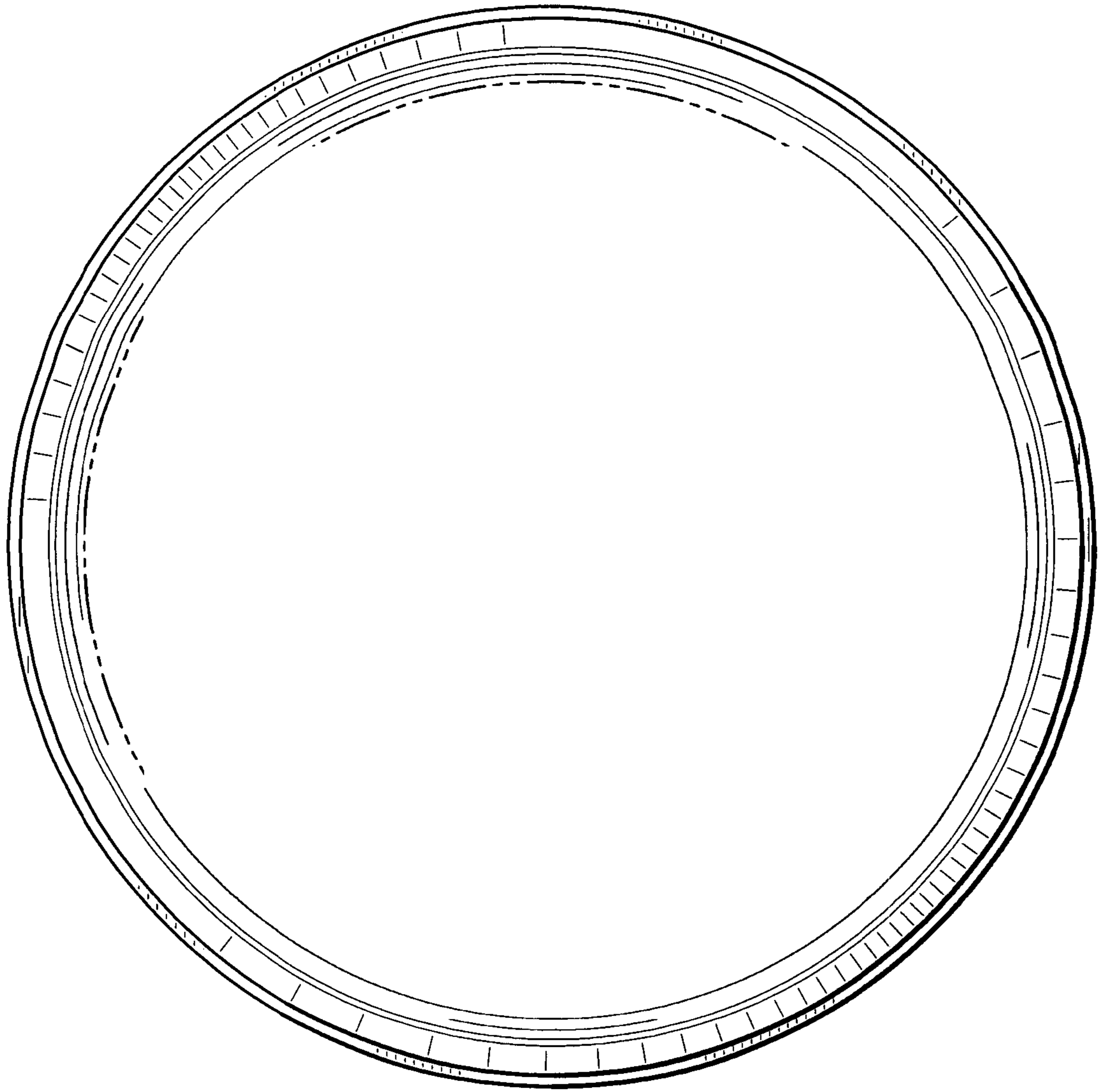


FIG. 7