



US00D450284B1

(12) **United States Design Patent**
Caroselli

(10) **Patent No.:** **US D450,284 S**

(45) **Date of Patent:** **** Nov. 13, 2001**

(54) **VEHICLE FRONT END**

D. 442,517 * 5/2001 Hoogenraad D12/92 X

(76) Inventor: **Henry M. Caroselli**, 612 31st St.,
Manhattan Beach, CA (US) 90266

* cited by examiner

(**) Term: **14 Years**

Primary Examiner—Melody N. Brown

(74) *Attorney, Agent, or Firm*—Curtis L. Harrington

(21) Appl. No.: **29/137,026**

(57) **CLAIM**

(22) Filed: **Feb. 8, 2001**

The ornamental design for a vehicle front end, as shown and described.

(51) **LOC (7) Cl.** **12-16**

DESCRIPTION

(52) **U.S. Cl.** **D12/196**

(58) **Field of Search** D12/196, 90-92,
D12/86, 173; 296/185

FIG. 1 is a front perspective view of the vehicle, showing my new design, the dashed line portion being illustrated for locational reference and forming no part of my inventive design;

(56) **References Cited**

U.S. PATENT DOCUMENTS

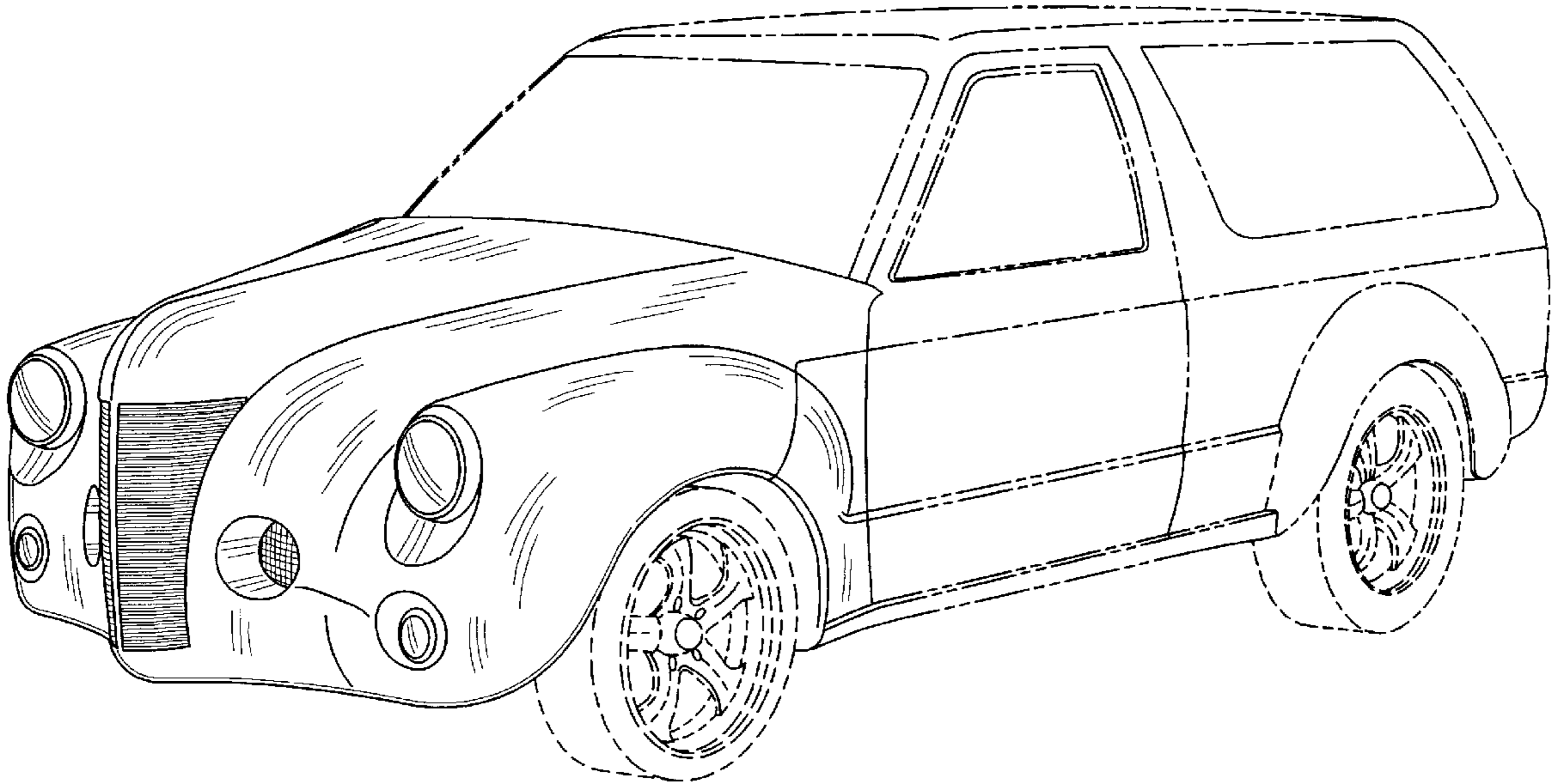
- D. 394,232 * 5/1998 Trostle et al. D12/92
- D. 422,240 * 4/2000 Cook D12/92
- D. 424,475 * 5/2000 Cook D12/92
- D. 424,981 * 5/2000 Cook D12/92

FIG. 2 is a front elevational view thereof;

FIG. 3 is a side elevational view thereof; and,

FIG. 4 is a top view thereof.

1 Claim, 4 Drawing Sheets



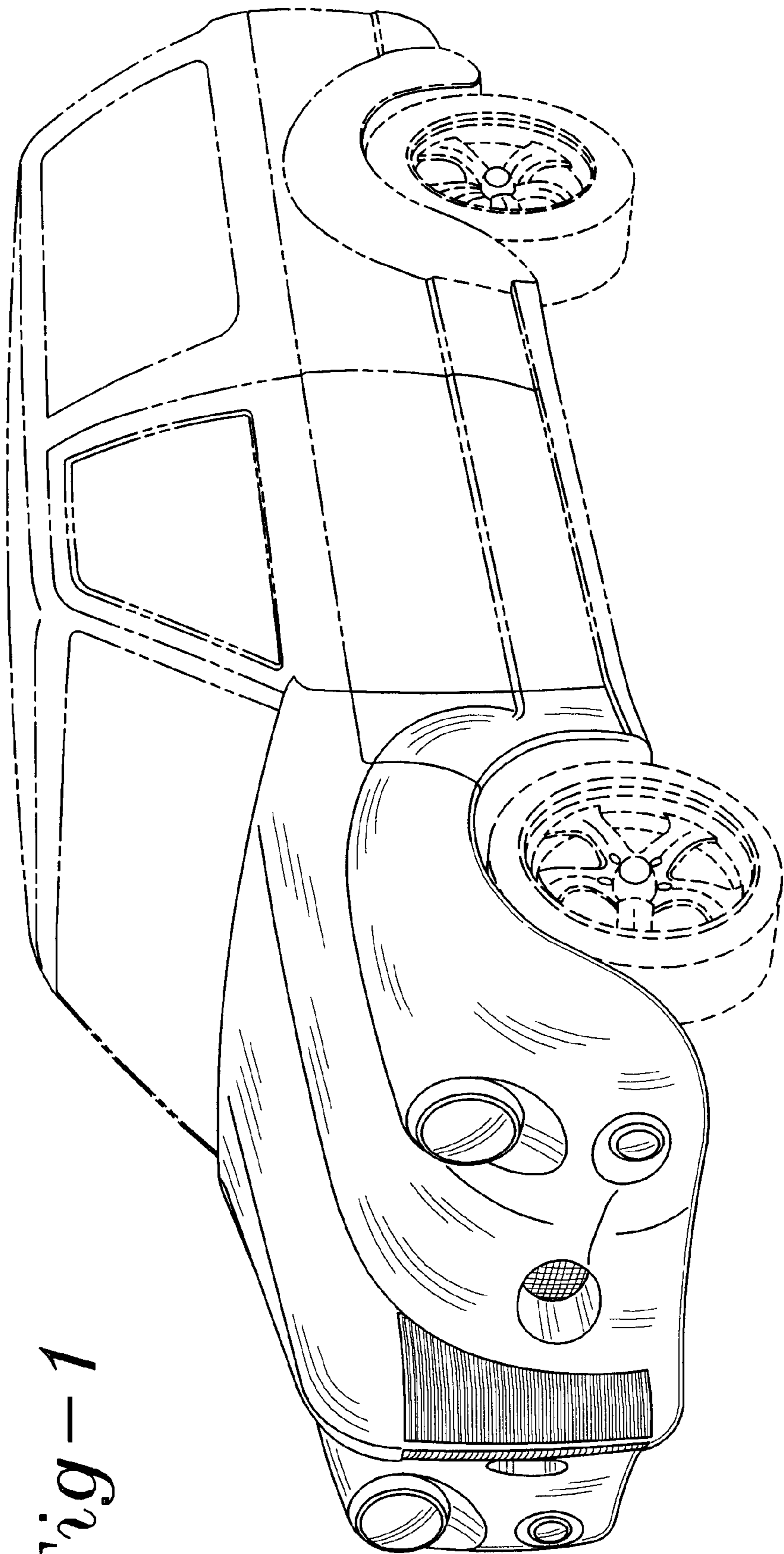


Fig-1

Fig-2

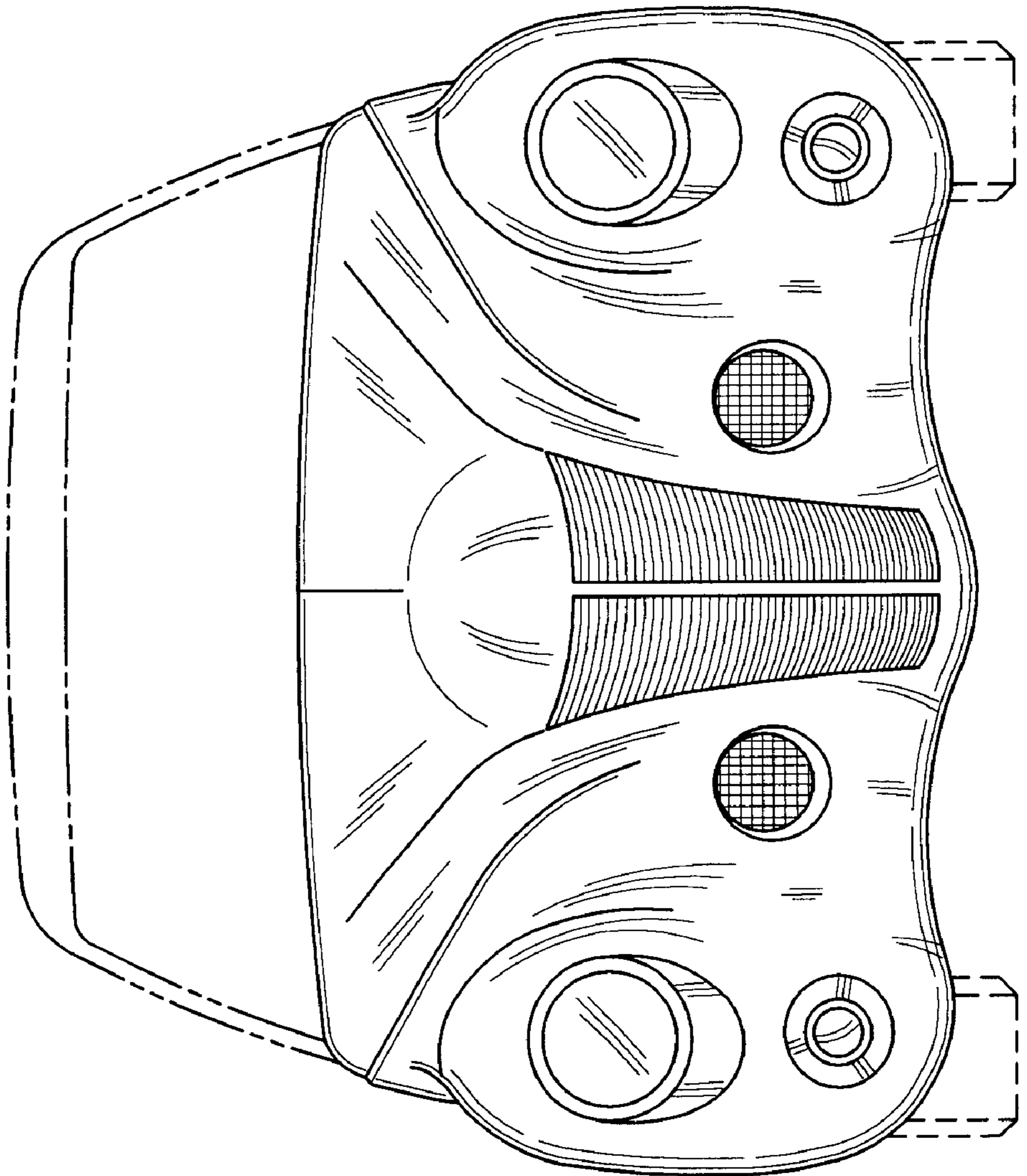


Fig-3

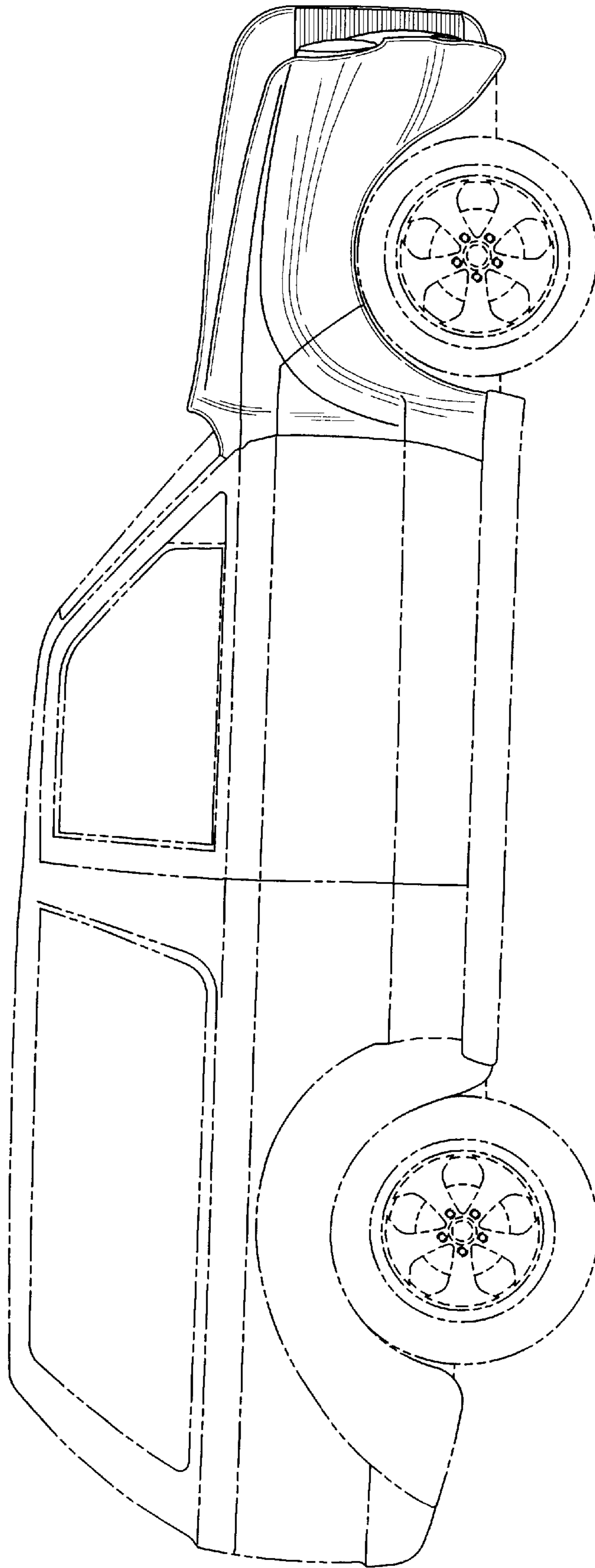


Fig-4

