



US00D450283B1

(12) **United States Design Patent**
Rayburn

(10) **Patent No.:** **US D450,283 S**

(45) **Date of Patent:** **** Nov. 13, 2001**

(54) **GAGE FACE DIAL MASK FOR VEHICLE**

(76) **Inventor:** **Neal S. Rayburn**, 4521 Van Nuys Blvd., Sherman Oaks, CA (US) 91403

(**) **Term:** **14 Years**

(21) **Appl. No.:** **29/137,413**

(22) **Filed:** **Feb. 20, 2001**

(51) **LOC (7) Cl.** **12-16**

(52) **U.S. Cl.** **D12/192**

(58) **Field of Search** D12/192, 400; D10/98, 123-126; 280/752, DIG. 5; 296/70; 180/90; D14/114.3, 114.4, 114.5

(56) **References Cited**

U.S. PATENT DOCUMENTS

D. 235,862	*	7/1975	Miller	D12/192
D. 276,039	*	10/1984	Tanaka	D12/192
D. 307,127	*	4/1990	Simons et al.	D12/192
D. 327,858	*	7/1992	Avitan	D10/125
D. 337,962	*	8/1993	Avitan	D10/125
D. 349,677	*	8/1994	Avitan	D12/192
D. 384,341	*	9/1997	Hoffman et al.	D12/192 X
D. 411,122	*	6/1999	Velaquez	D10/98
D. 412,157	*	7/1999	Stevenson	D12/192 X
D. 413,295	*	8/1999	Sauter	D12/192
D. 422,545	*	4/2000	Palalau et al.	D12/192
D. 436,565	*	1/2001	Tsay et al.	D12/192
D. 440,924	*	4/2001	Bartholomai	D12/192

* cited by examiner

Primary Examiner—Stacia Cadmus

(74) *Attorney, Agent, or Firm*—Timothy Thut Tyson; Ted Masters; Freilich, Hornbaker & Rosen

(57) **CLAIM**

The ornamental design for a gage face dial mask for vehicle, as shown.

DESCRIPTION

FIG. 1 is a front elevation view of a gage face dial mask for vehicle showing my new design;

FIG. 2 is a top plan view thereof;

FIG. 3 is a bottom plan view thereof;

FIG. 4 is a rear elevation view thereof;

FIG. 5 is a left side elevation view thereof;

FIG. 6 is a right side elevation view thereof;

FIG. 7 is a front elevation view of a secondary embodiment;

FIG. 8 is a top plan view of the embodiment of FIG. 7;

FIG. 9 is a bottom plan view of the embodiment of FIG. 7;

FIG. 10 is a rear elevation view of the embodiment of FIG. 7;

FIG. 11 is a left side elevation view of the embodiment of FIG. 7; and,

FIG. 12 is a right side elevation view of the embodiment of FIG. 7.

The solid black shading in FIG. 1 is used to represent the color black pursuant to 37 CFR 1.152(a)(1).

1 Claim, 4 Drawing Sheets

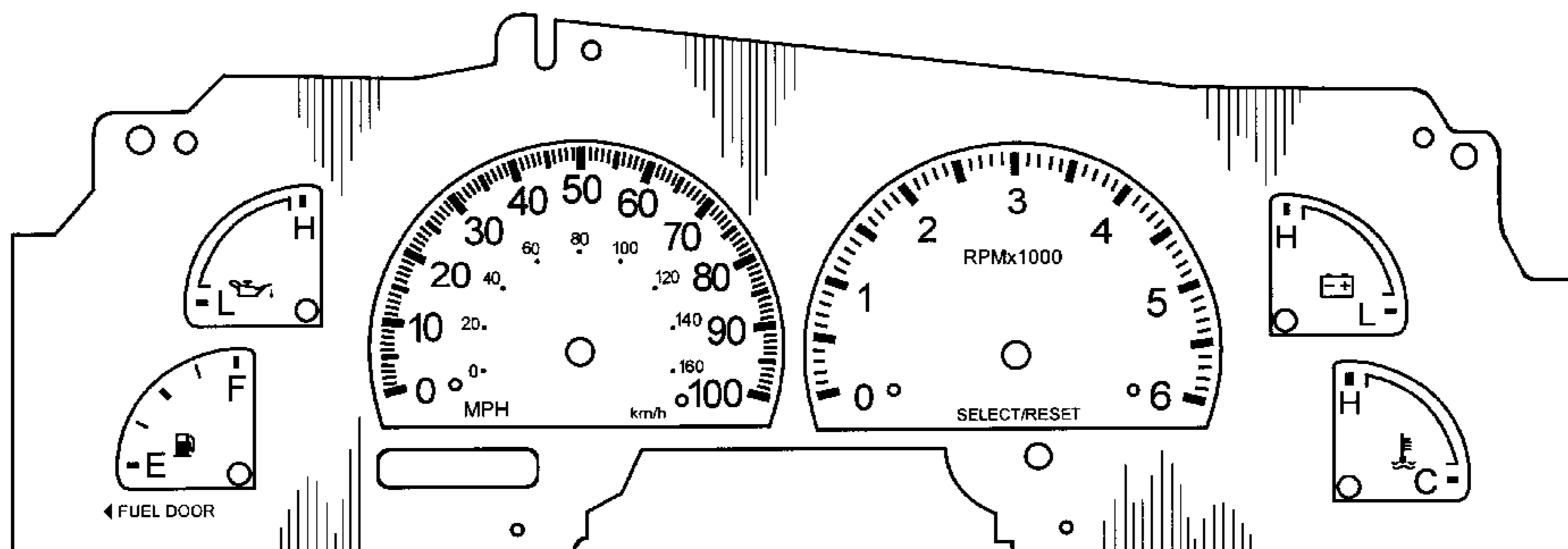
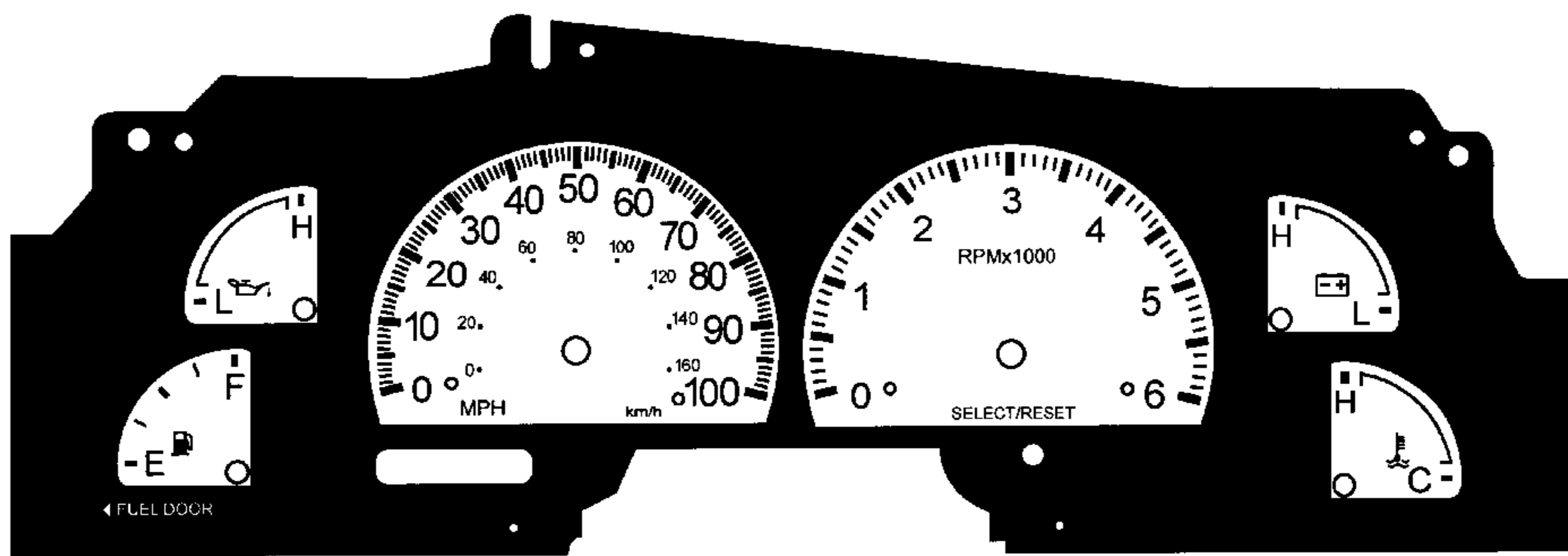


Fig-1

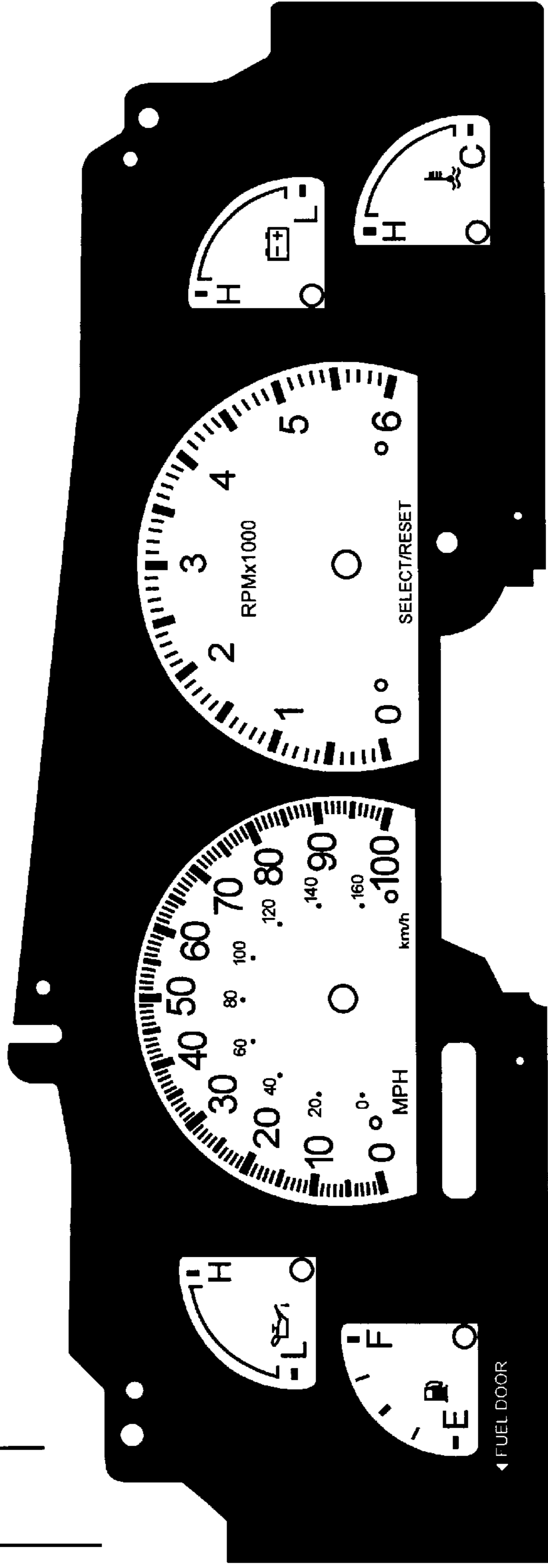
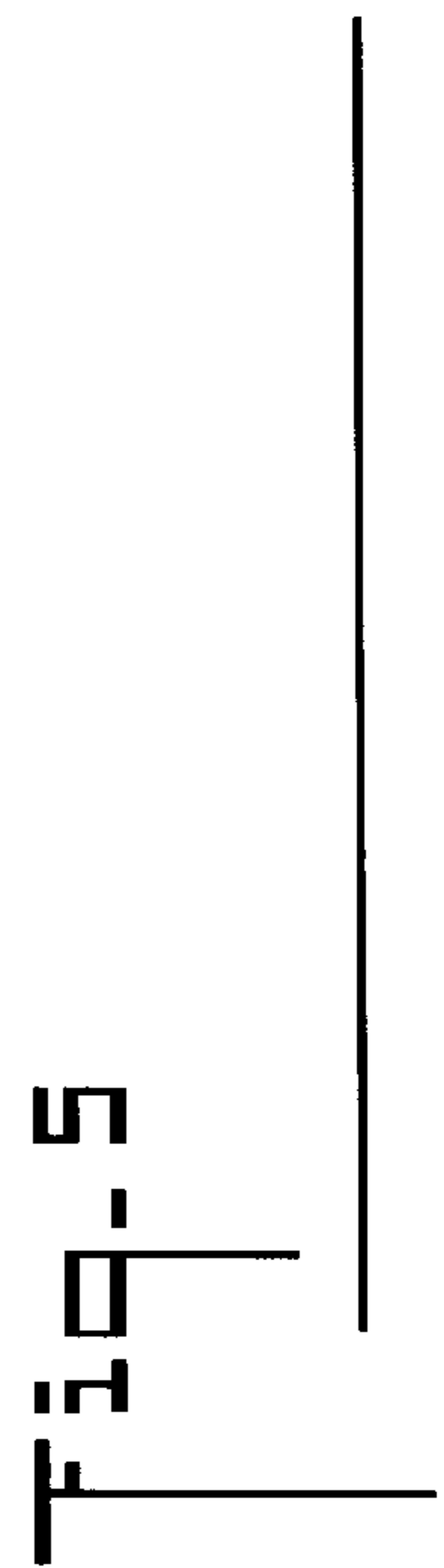
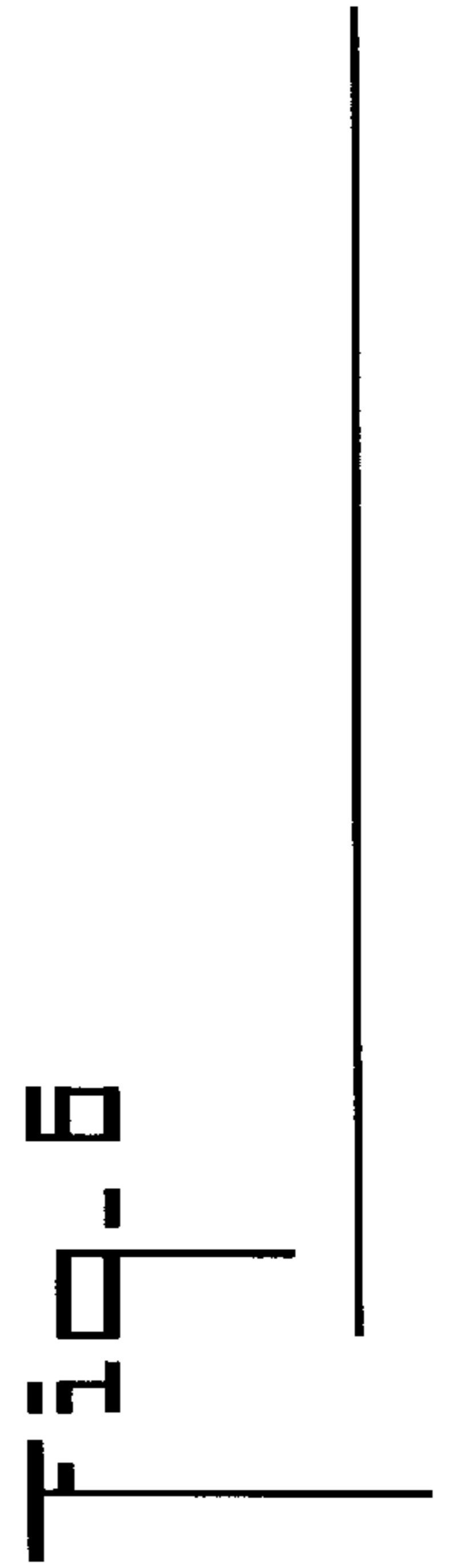
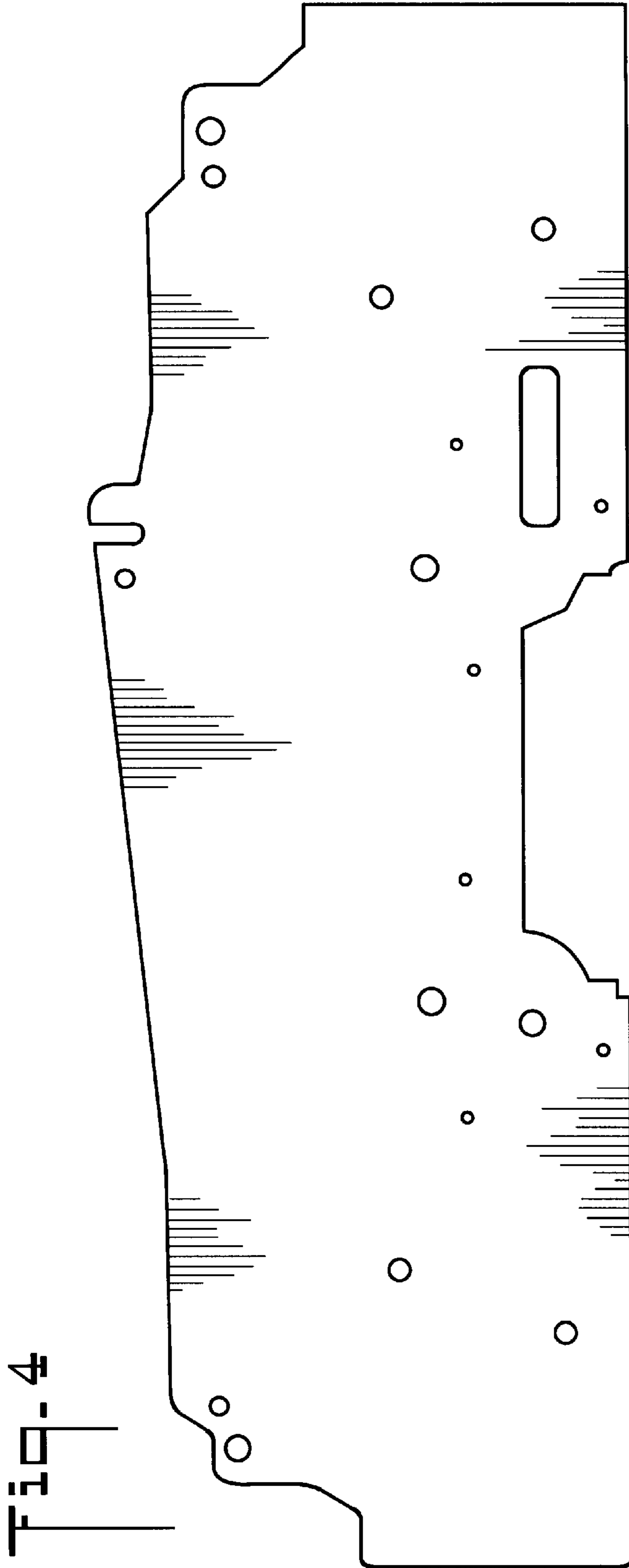


Fig-2

Fig-3



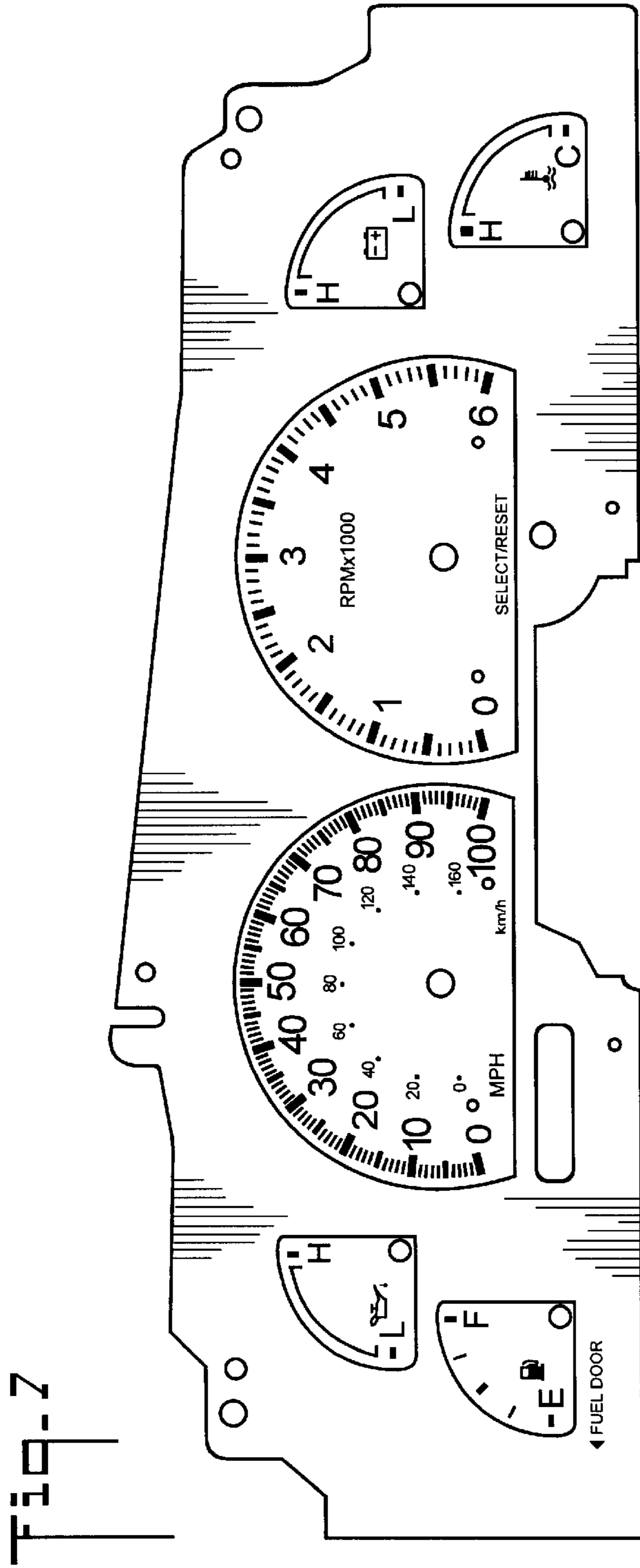


FIG-2



FIG-8



FIG-9

Fig-10

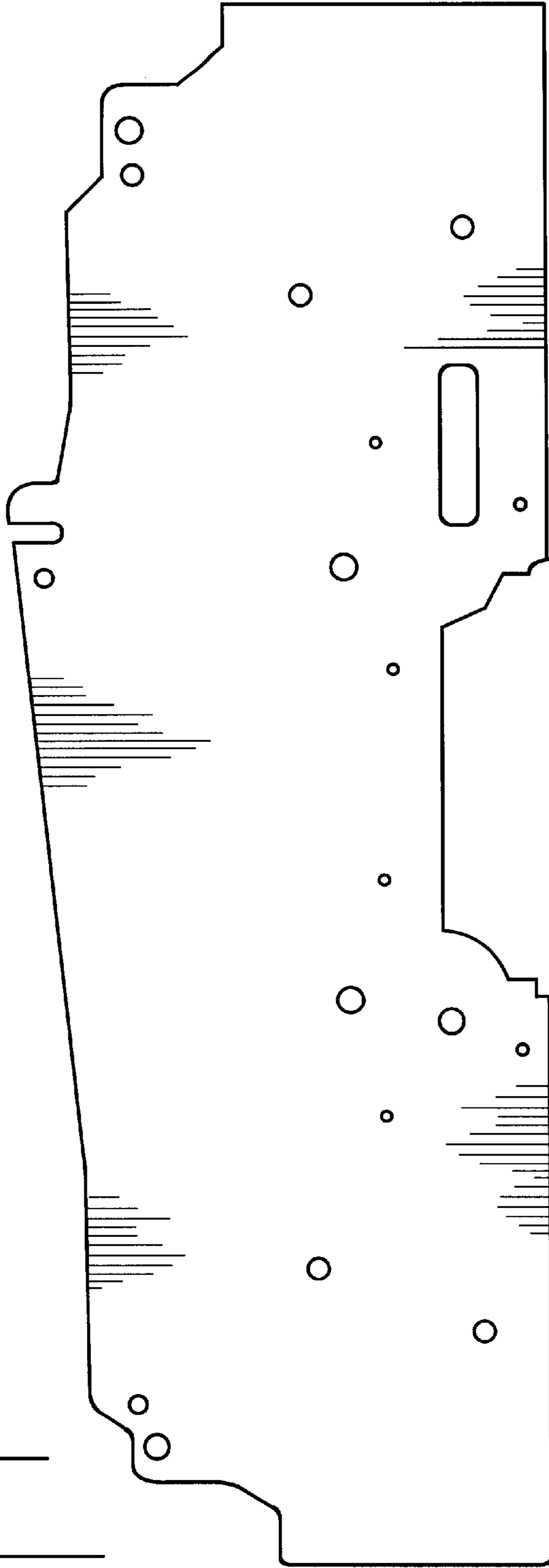


Fig-11



Fig-12

