



US00D450280B1

(12) **United States Design Patent**
Brumfield

(10) **Patent No.:** **US D450,280 S**

(45) **Date of Patent:** **** Nov. 13, 2001**

(54) **FLEXIBLE HYDRAULIC BRAKE LINE ASSEMBLY FOR A MOTOR VEHICLE**

5,467,848 * 11/1995 Knez 188/73.45
5,507,369 * 4/1996 Ferreira et al. 188/73.45
6,062,349 * 5/2000 Boisseau et al. D12/180

(75) Inventor: **Merle T. Brumfield**, Tipp City, OH (US)

* cited by examiner

(73) Assignee: **Harco Industries, Inc.**, Brookville, OH (US)

Primary Examiner—Melody N. Brown

(74) *Attorney, Agent, or Firm*—Jacox, Meckstroth & Jenkins

(**) Term: **14 Years**

(57) **CLAIM**

(21) Appl. No.: **29/133,994**

The ornamental design of a flexible hydraulic brake line assembly for a motor vehicle, as shown and described.

(22) Filed: **Dec. 18, 2000**

DESCRIPTION

(51) **LOC (7) Cl.** **12-16**

(52) **U.S. Cl.** **D12/180**

(58) **Field of Search** D12/180; D8/387;
188/370, 71.7, 71.8, 73.44, 73.45, 196 M,
73.1, 73.31

FIG. 1 is a perspective view of a flexible hydraulic brake line assembly for a motor vehicle showing my new design; FIG. 2 is a side view thereof; and, FIG. 3 is an end view thereof, the opposite end view being the same.

The portions broken away are for disclosing indeterminate length.

(56) **References Cited**

U.S. PATENT DOCUMENTS

D. 438,494 * 3/2001 Charmat et al. D12/180

1 Claim, 1 Drawing Sheet

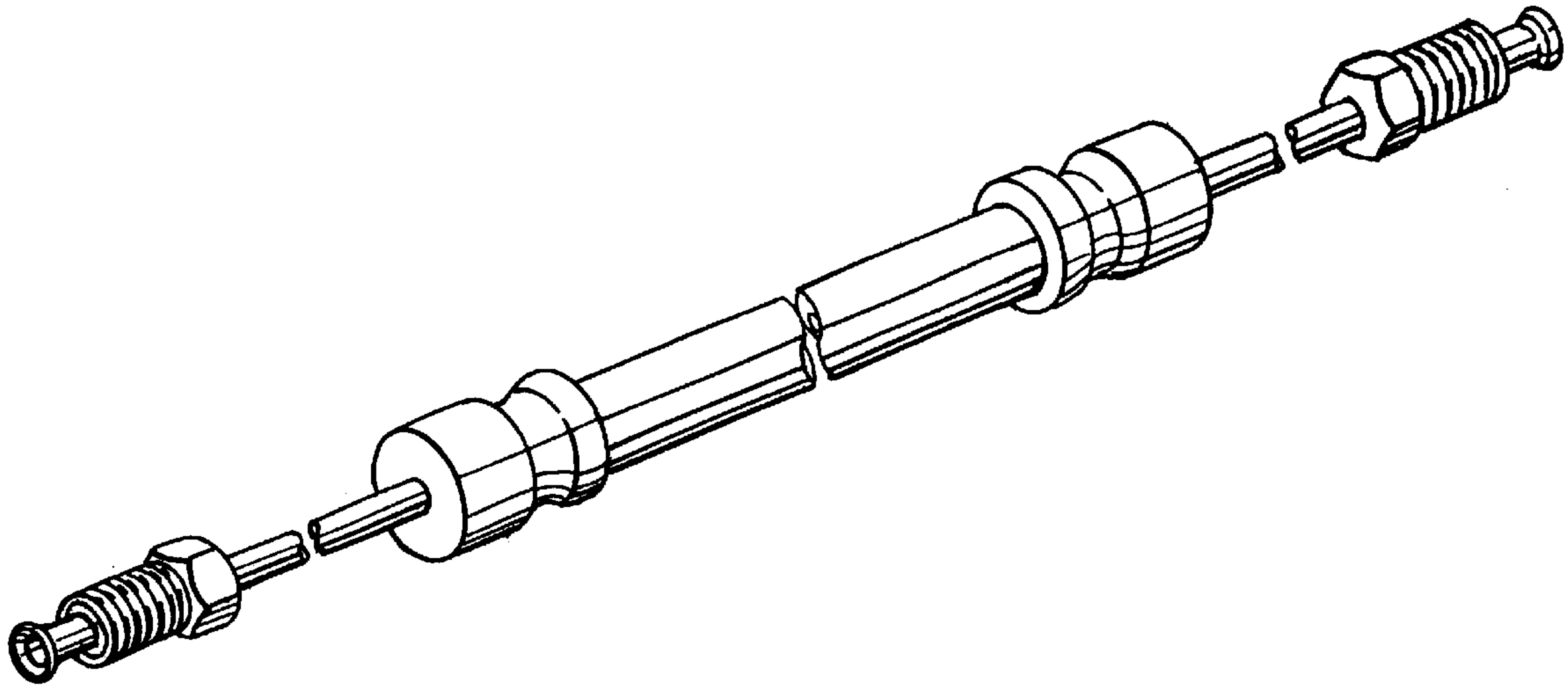


FIG-1

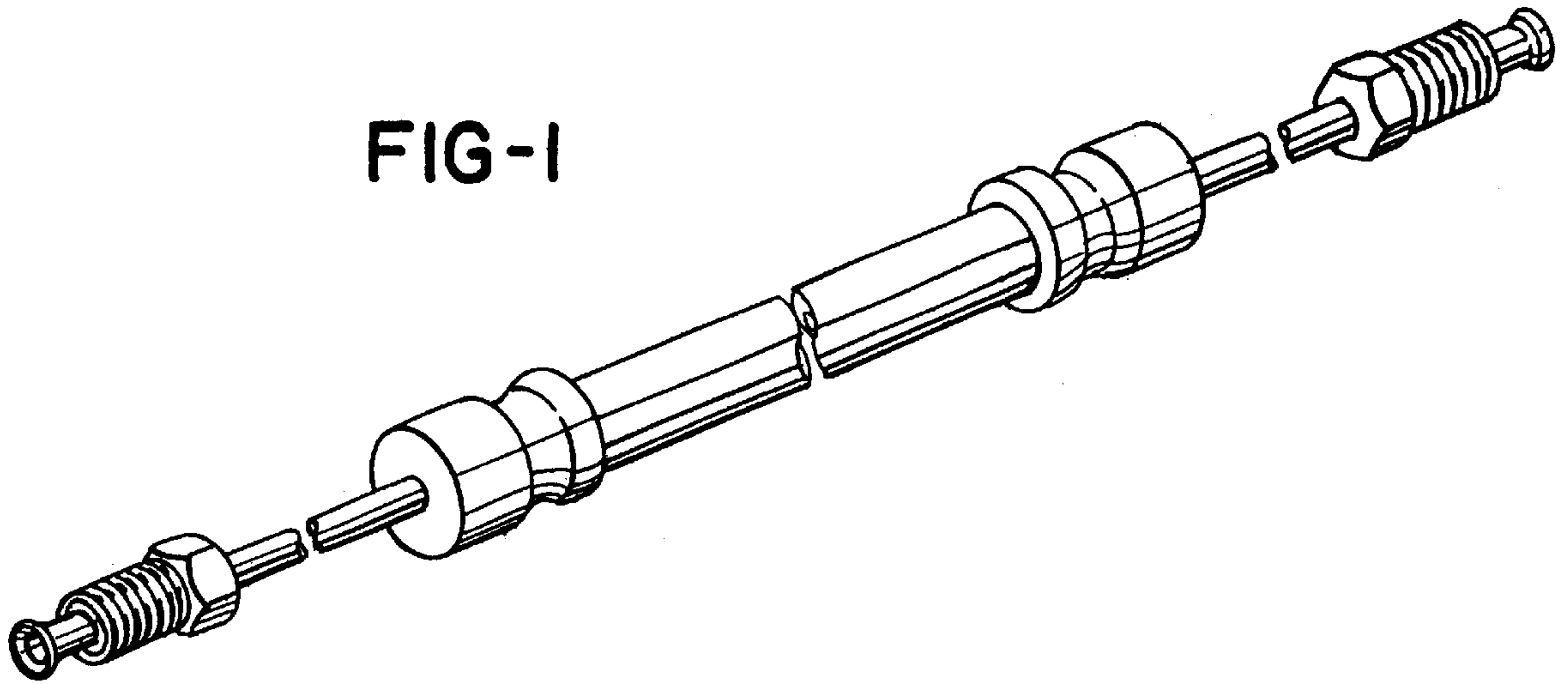


FIG-2

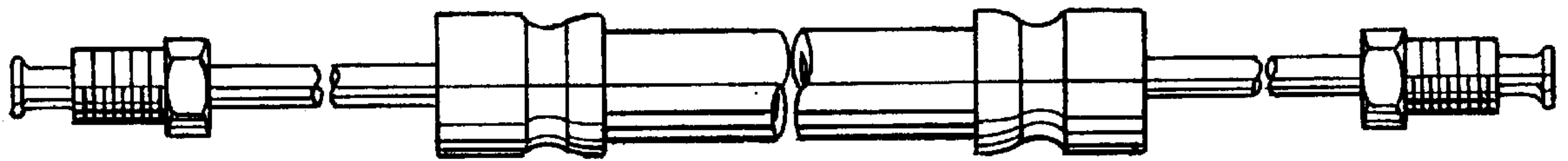


FIG-3

