



US00D450264B1

(12) **United States Design Patent**
Bruns et al.

(10) **Patent No.:** **US D450,264 S**

(45) **Date of Patent:** **** Nov. 13, 2001**

(54) **BOGIE WHEEL**

(76) Inventors: **Mark W. Bruns; Steven A. Bruns,**
both of 120 Eastgate Dr. SE.,
Hutchinson, MN (US) 55350

(**) Term: **14 Years**

(21) Appl. No.: **29/140,683**

(22) Filed: **Apr. 24, 2001**

(51) **LOC (7) Cl.** **12-14**

(52) **U.S. Cl.** **D12/7; D12/210**

(58) **Field of Search** **D12/204-211,**
D12/6-11; 301/37.1, 64.1, 65

(56) **References Cited**

U.S. PATENT DOCUMENTS

D. 59,746	*	11/1921	Herold	D12/204
D. 92,344	*	5/1934	Green	D12/210
D. 194,099	*	11/1962	Walsh	D12/210
D. 246,735	*	12/1977	Daenen	D12/204
D. 361,975	*	9/1995	Weld	D12/210

D. 422,531	*	4/2000	Courtemanche	D12/7
D. 427,961	*	7/2000	Donikoglu	D12/210
D. 430,094	*	8/2000	Hale, Jr.	D12/210
D. 436,910	*	1/2001	Hale, Jr.	D12/210
4,146,101	*	3/1979	Plourde	180/182

* cited by examiner

Primary Examiner—Stacia Cadmus

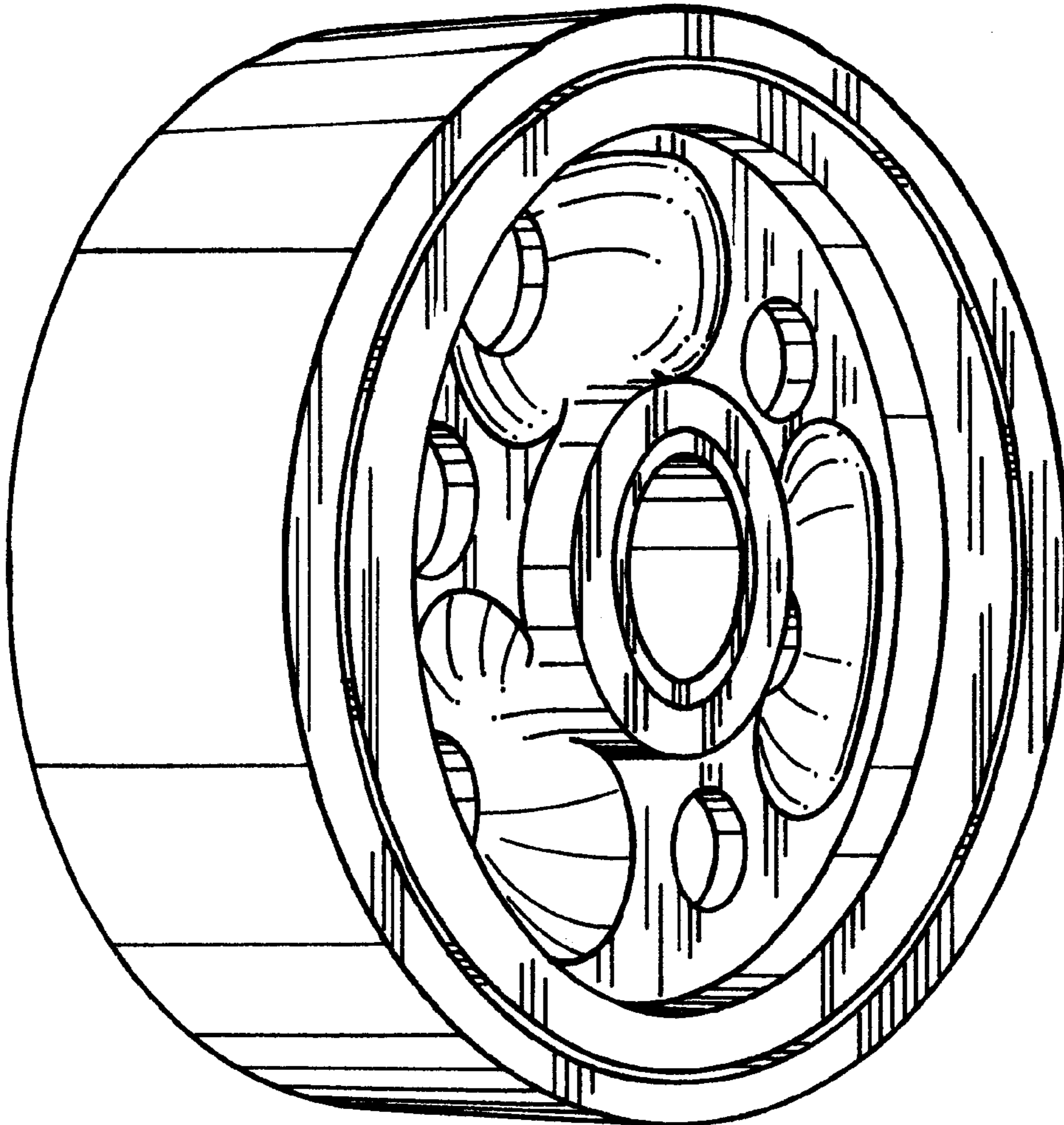
(57) **CLAIM**

The ornamental design for a bogie wheel, as shown and described.

DESCRIPTION

FIG. 1 is a perspective view of a bogie wheel showing our new design;
FIG. 2 is a front elevational view thereof;
FIG. 3 is a rear elevational view thereof; and,
FIG. 4 is a side elevational view thereof, the opposite side elevational and top and bottom plan views being identical to FIG. 4.

1 Claim, 2 Drawing Sheets



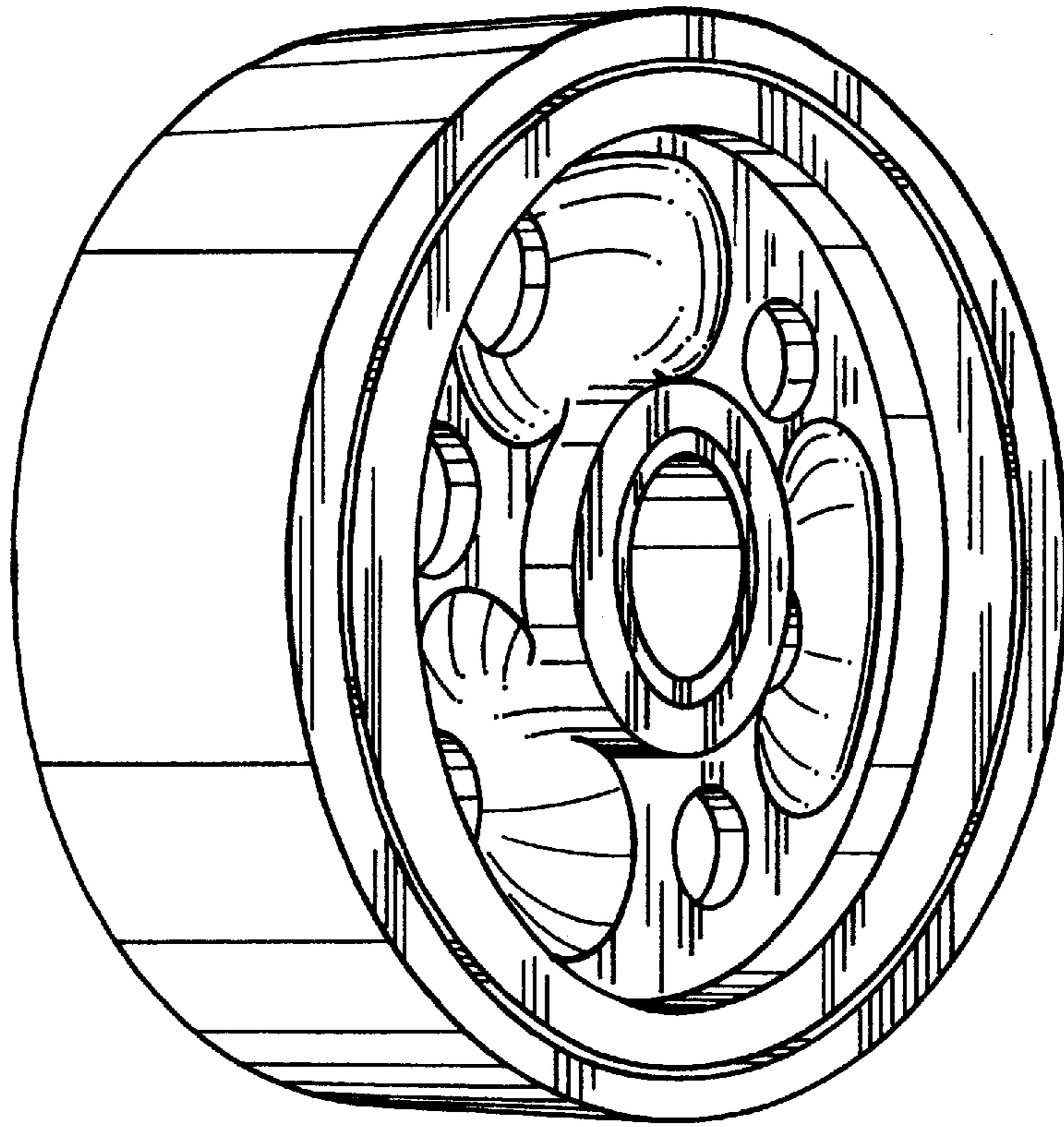


FIG. 1

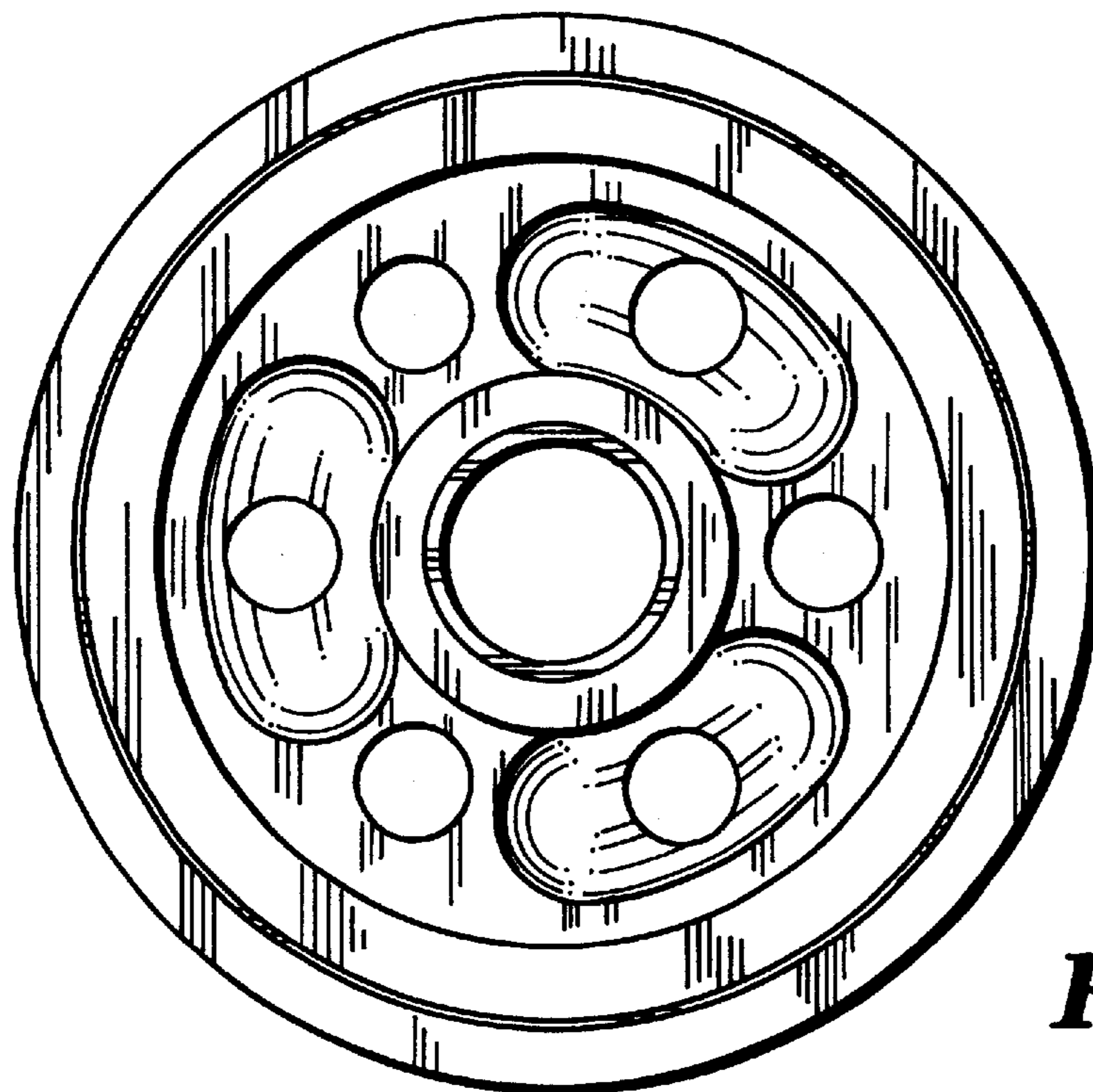


FIG. 2

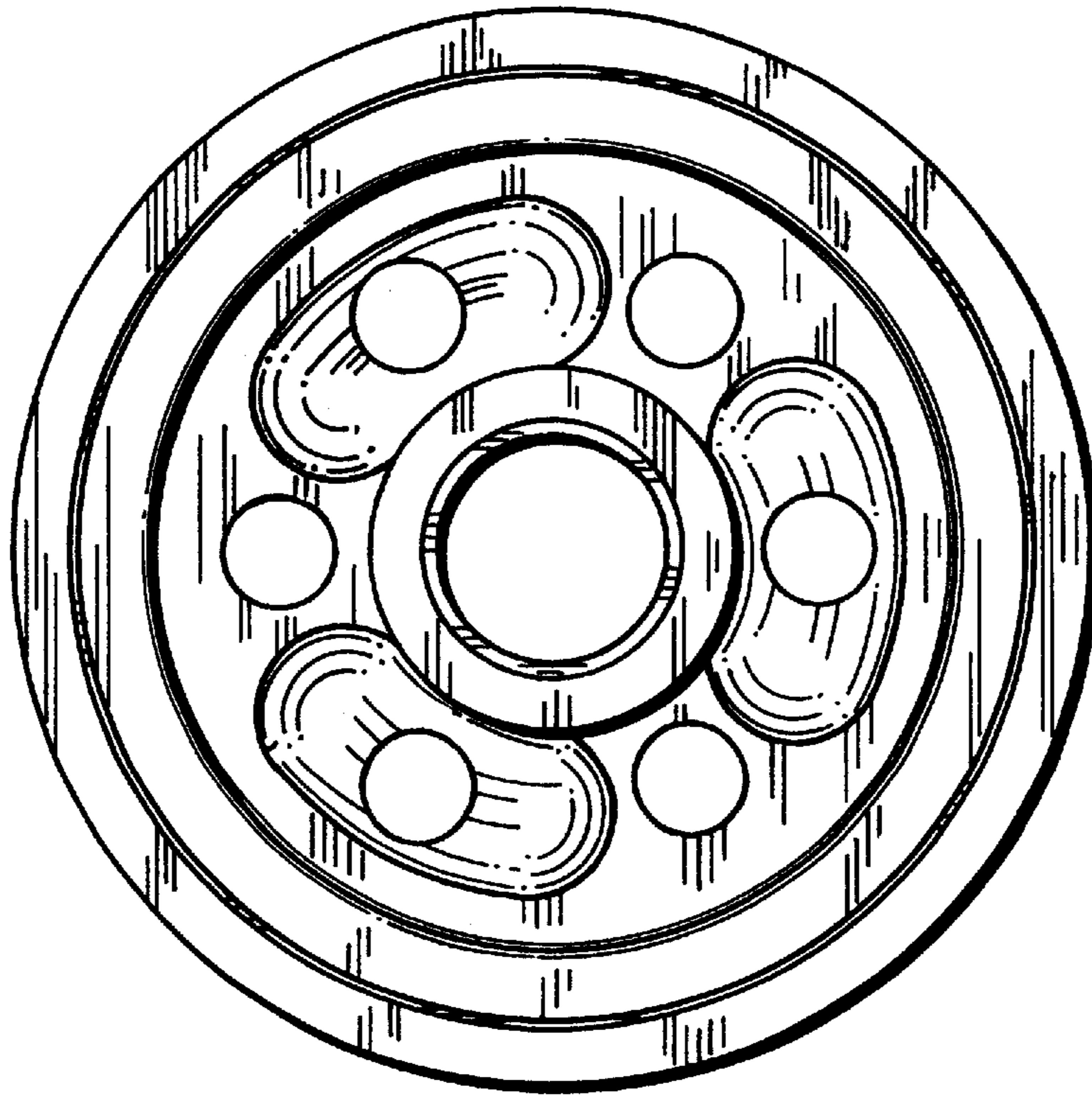


FIG. 3

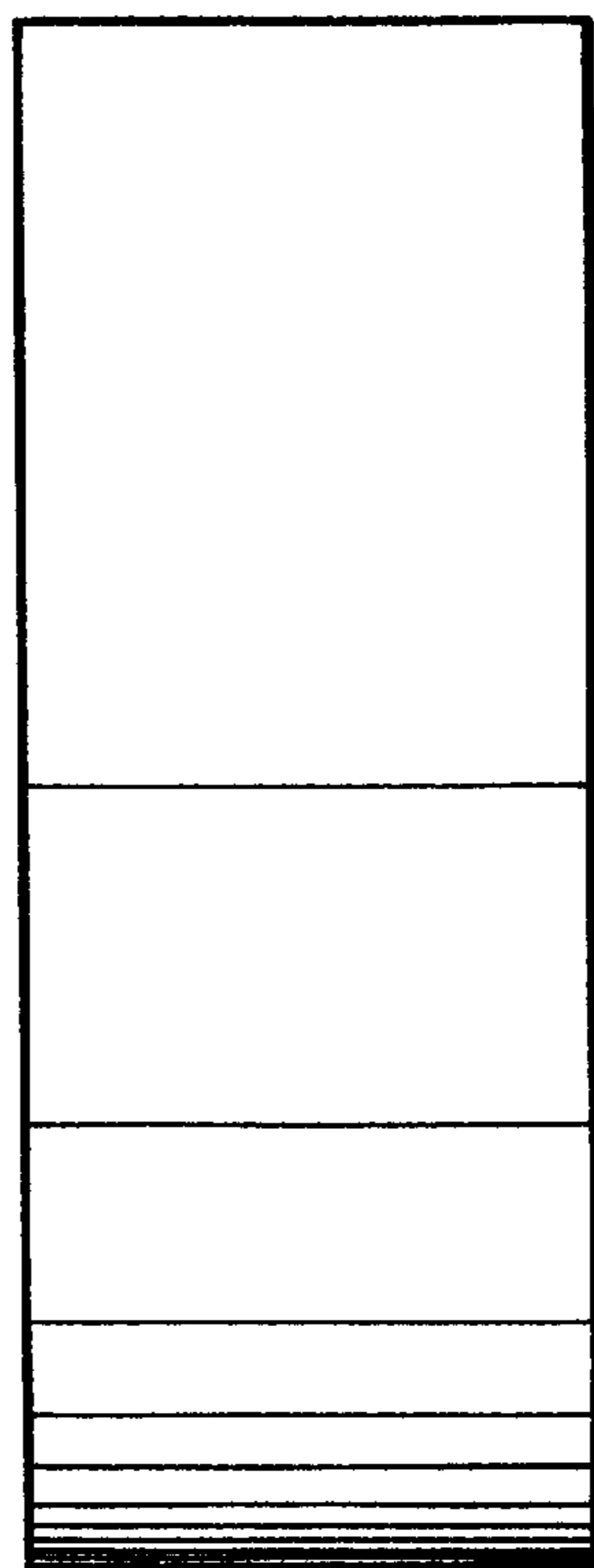


FIG. 4