



US00D450256B1

(12) **United States Design Patent**
Novitsky et al.

(10) **Patent No.:** **US D450,256 S**

(45) **Date of Patent:** **** Nov. 13, 2001**

(54) **HOUSING DEVICE FOR MEASURING
FLUORESCENCE POLARIZATION**

(75) Inventors: **Thomas J. Novitsky; John L. Sloyer, Jr.**, both of Falmouth; **Elias R. Elias**, Milton, all of MA (US); **Alan Shinn**, Berkeley; **Chiko Fan**, San Ramon, both of CA (US)

(73) Assignee: **Associates of Cape Code, Inc.**, Falmouth, MA (US)

(**) Term: **14 Years**

(21) Appl. No.: **29/126,884**

(22) Filed: **Jul. 27, 2000**

(51) **LOC (7) Cl.** **10-04**

(52) **U.S. Cl.** **D10/81**

(58) **Field of Search** D10/46, 81; 435/7.2, 435/7.8, 7.1, 536, 544, 543, 350; 356/364, 367, 369, 385; 250/225

(56) **References Cited**

U.S. PATENT DOCUMENTS

- 6,025,917 * 2/2000 Toyonaga et al. 356/364
- 6,171,807 * 1/2001 Novitsky et al. 435/7.8

OTHER PUBLICATIONS

U.S. application No. 29/126,886, filed Jul. 27, 2000, pending.

U.S. application No. 29/126,885, filed Jul. 27, 2000, pending.

* cited by examiner

Primary Examiner—Antoine Duval Davis
(74) *Attorney, Agent, or Firm*—Oblon, Spivak, McClelland, Maier & Neustadt, P.C.

(57) **CLAIM**

The ornamental design for a housing device for measuring fluorescence polarization, as shown and described.

DESCRIPTION

FIG. 1 is a top, front and left side perspective view of the housing device for measuring fluorescence polarization;

FIG. 2 is a front elevational view thereof;

FIG. 3 is a left side elevational view thereof;

FIG. 4 is a right side elevational view thereof;

FIG. 5 is a rear elevational view thereof;

FIG. 6 is a top plan view thereof;

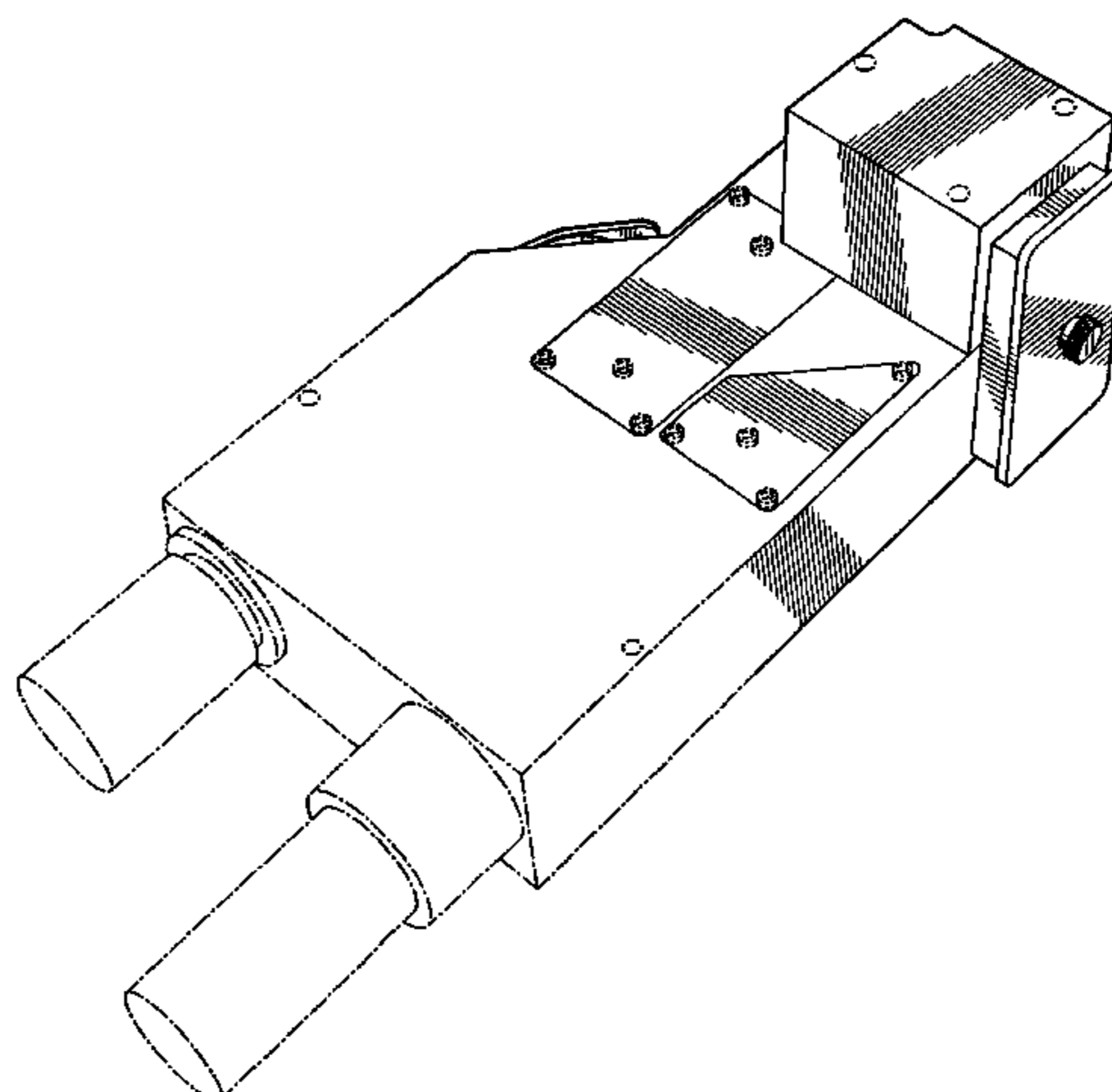
FIG. 7 is a bottom plan view thereof;

FIG. 8 is a top, rear and right side perspective view thereof; and,

FIG. 9 is a top, front and left side perspective view thereof showing the sample tray thereof in an open position for insertion of a test tube sample.

The broken line showing in the figures is for illustrative purposes only and forms no part of the claimed design.

1 Claim, 8 Drawing Sheets



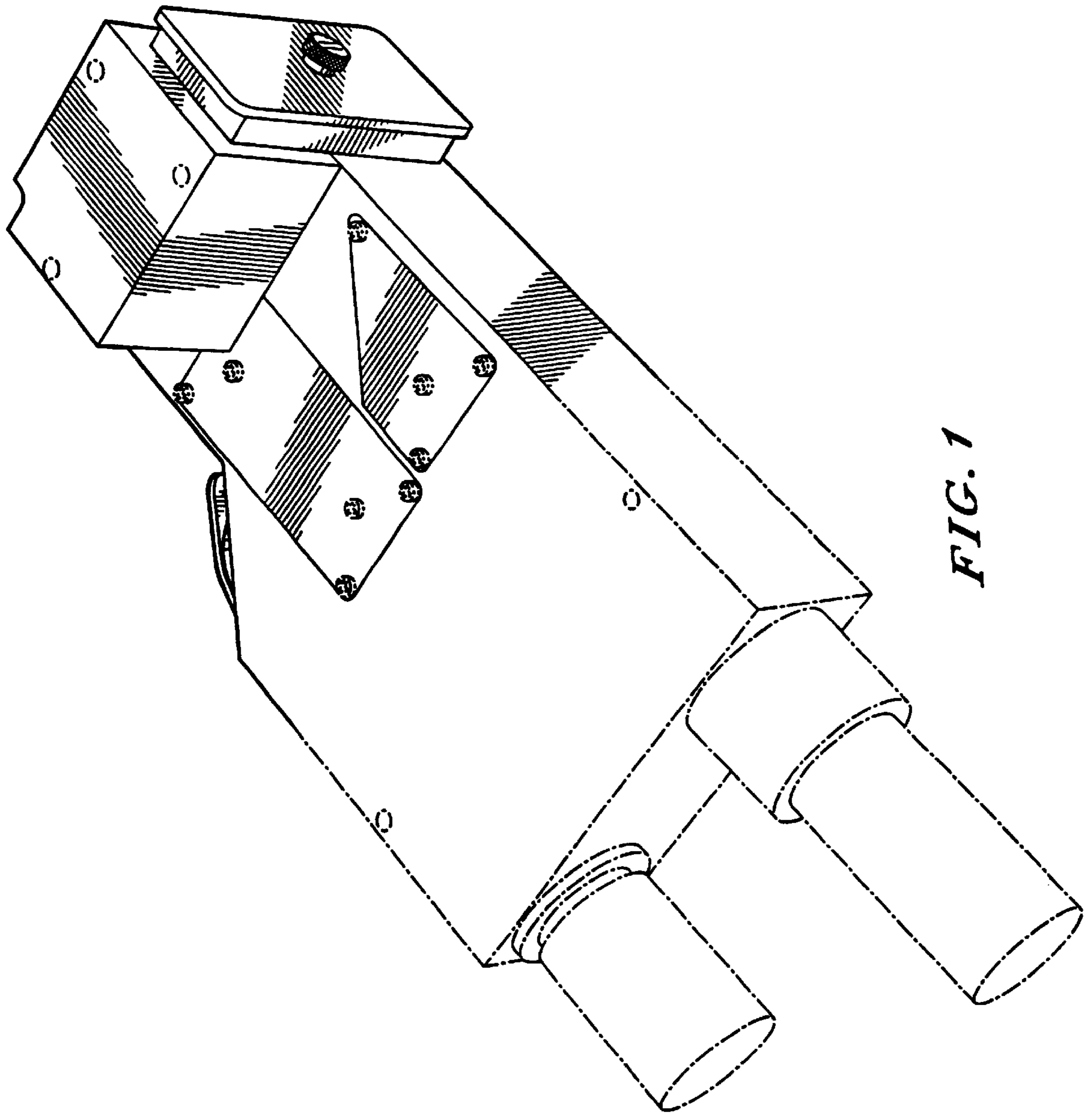


FIG. 1

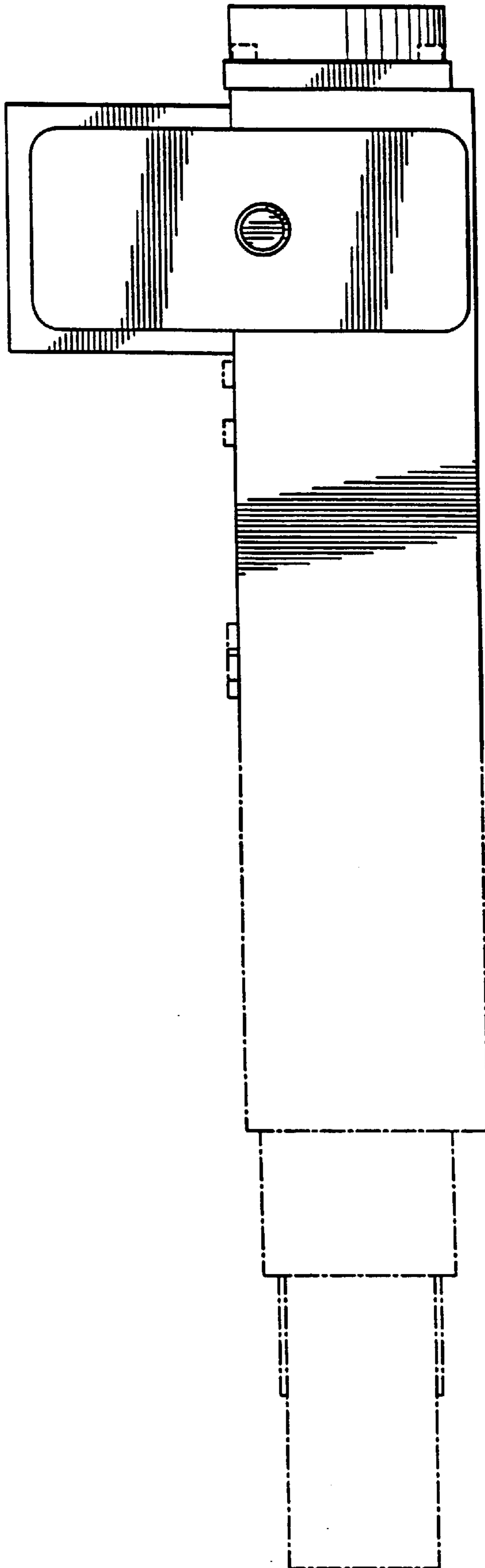


FIG. 2

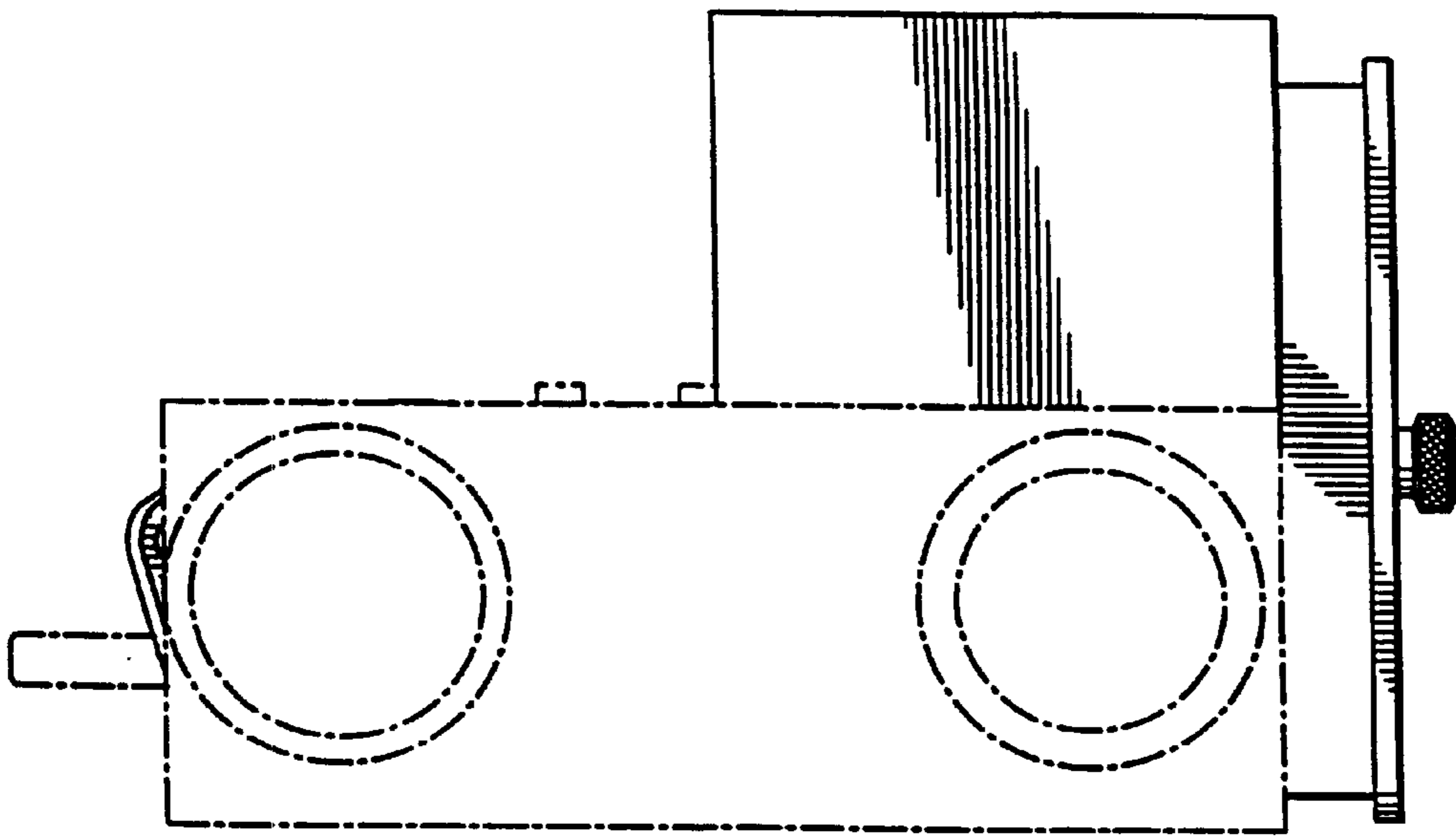


FIG. 3

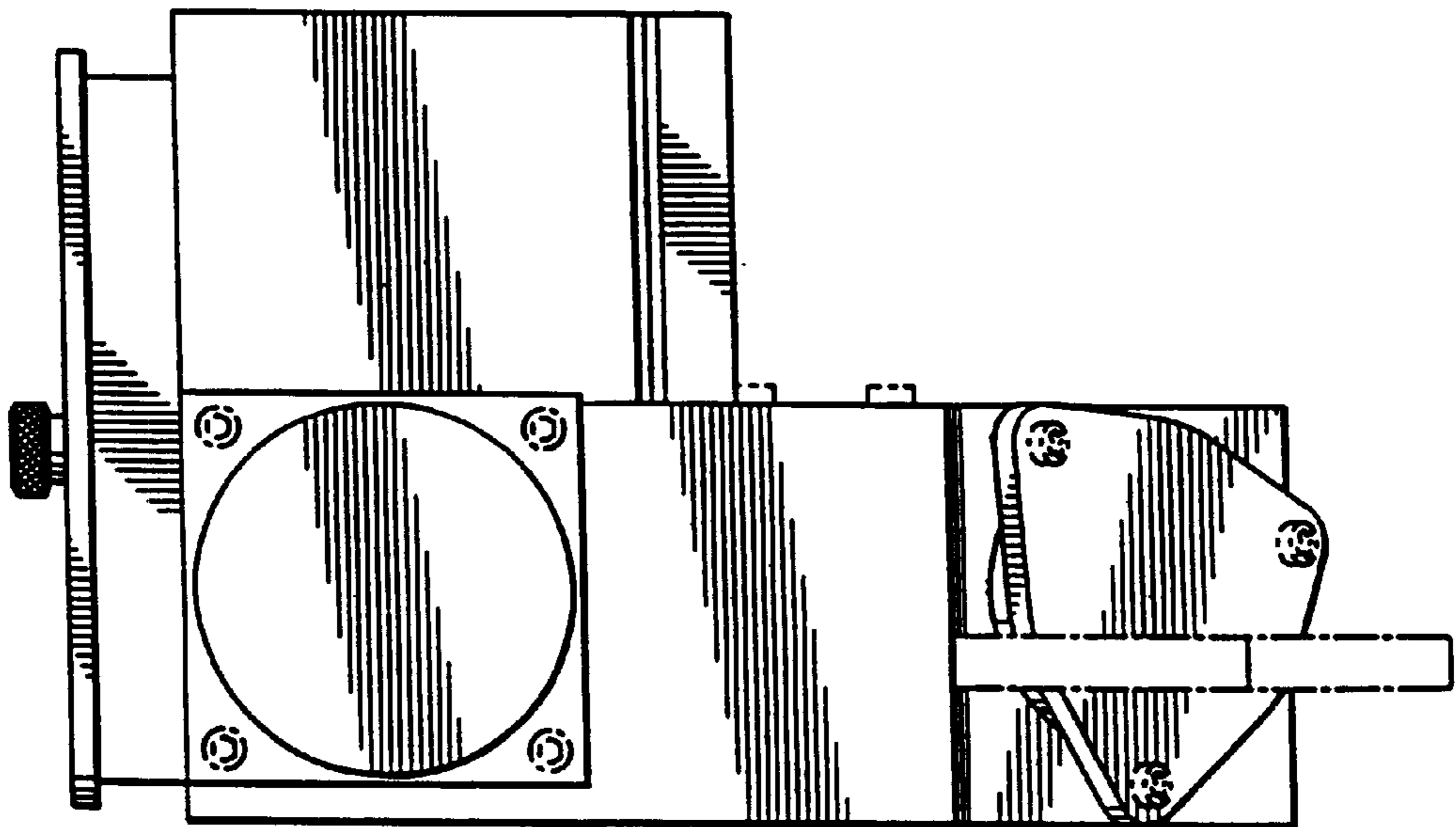


FIG. 4

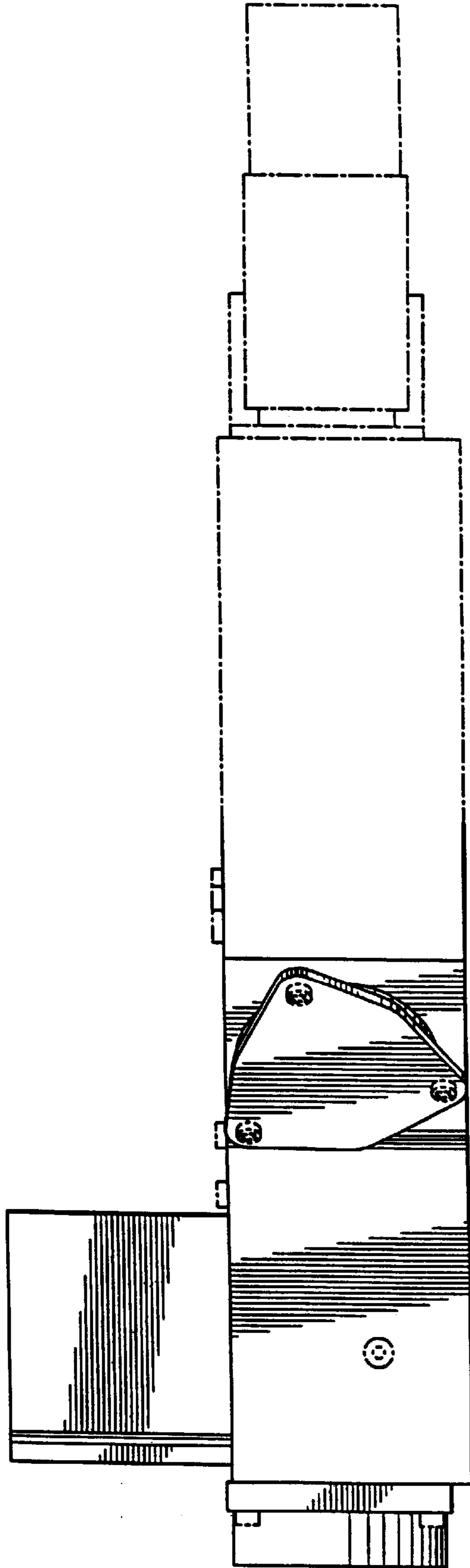


FIG. 5

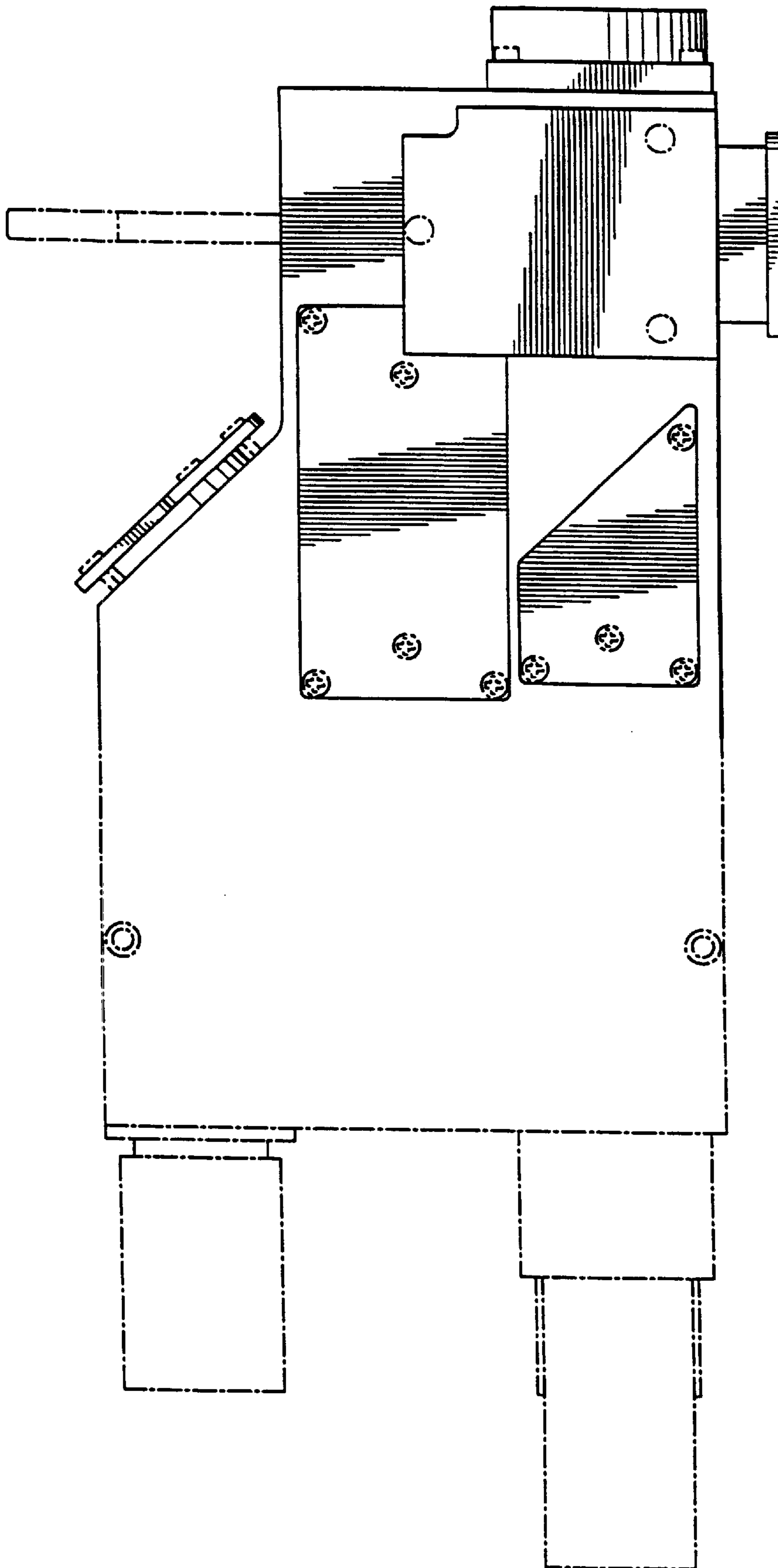


FIG. 6

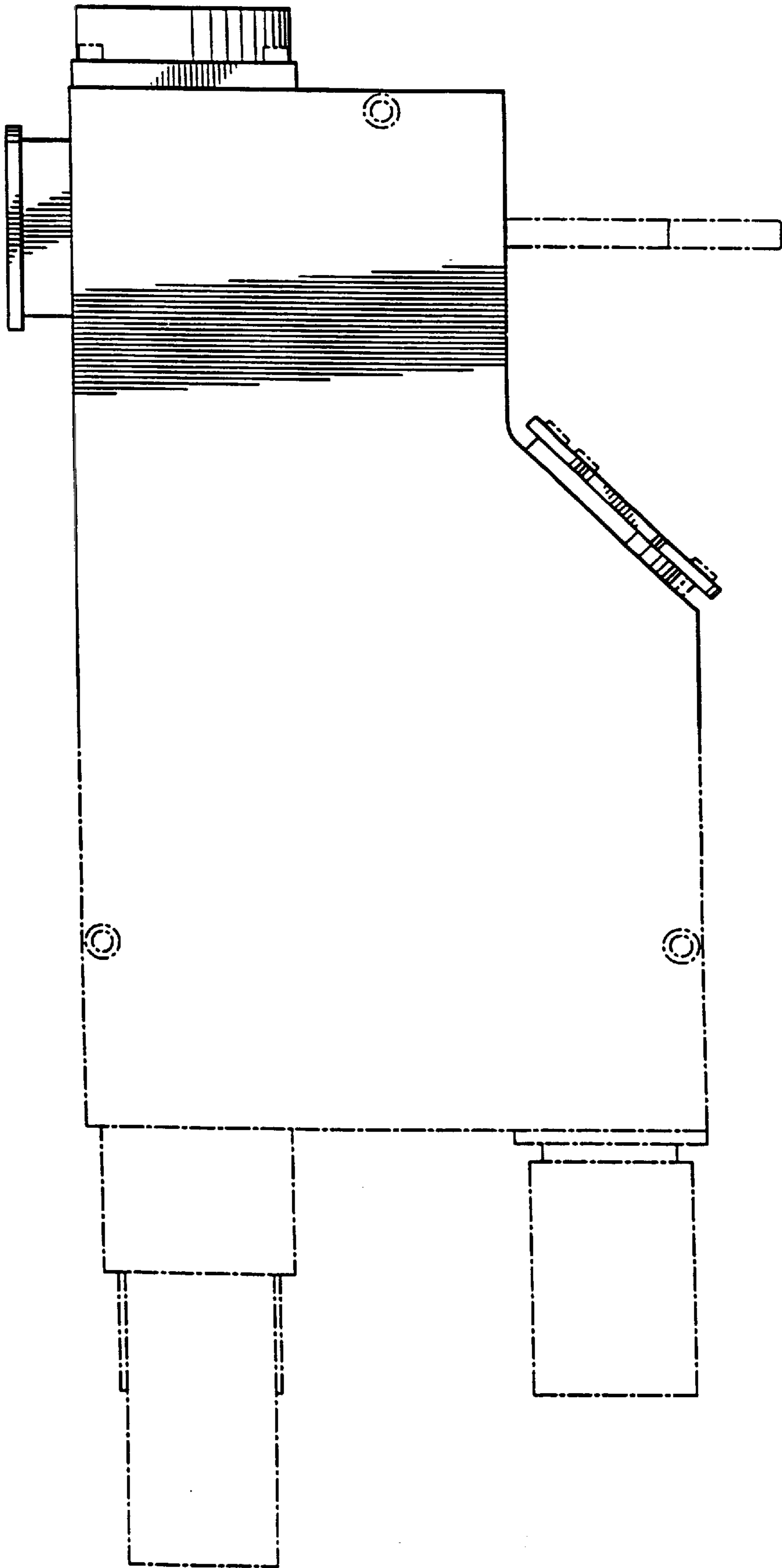


FIG. 7

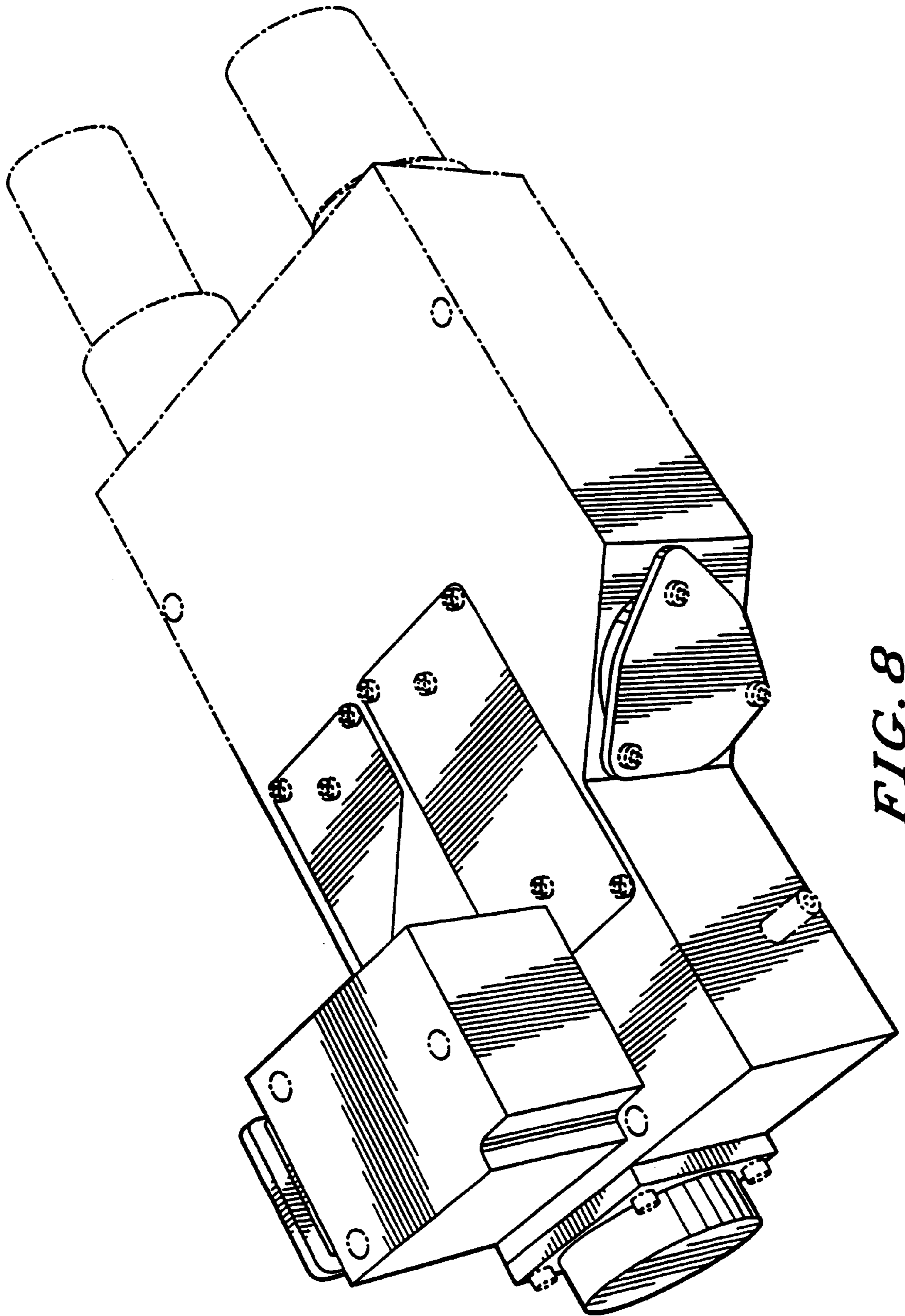


FIG. 8

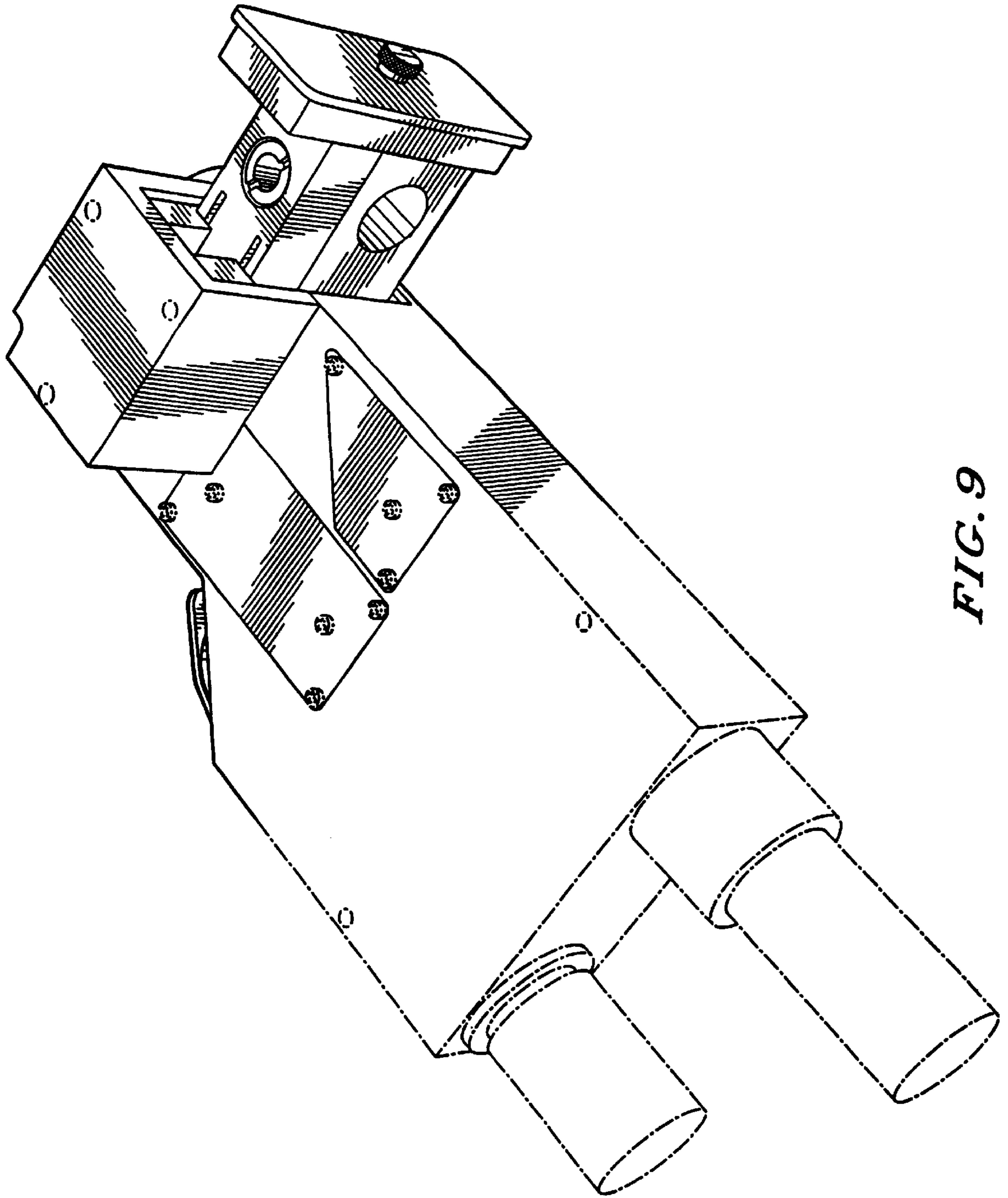


FIG. 9

UNITED STATES PATENT AND TRADEMARK OFFICE
CERTIFICATE OF CORRECTION

PATENT NO. : Des 450,256 S
DATED : Novitsky et al.
INVENTOR(S) : November 13, 2001

Page 1 of 1

It is certified that error appears in the above-identified patent and that said Letters Patent is hereby corrected as shown below:

Title page,

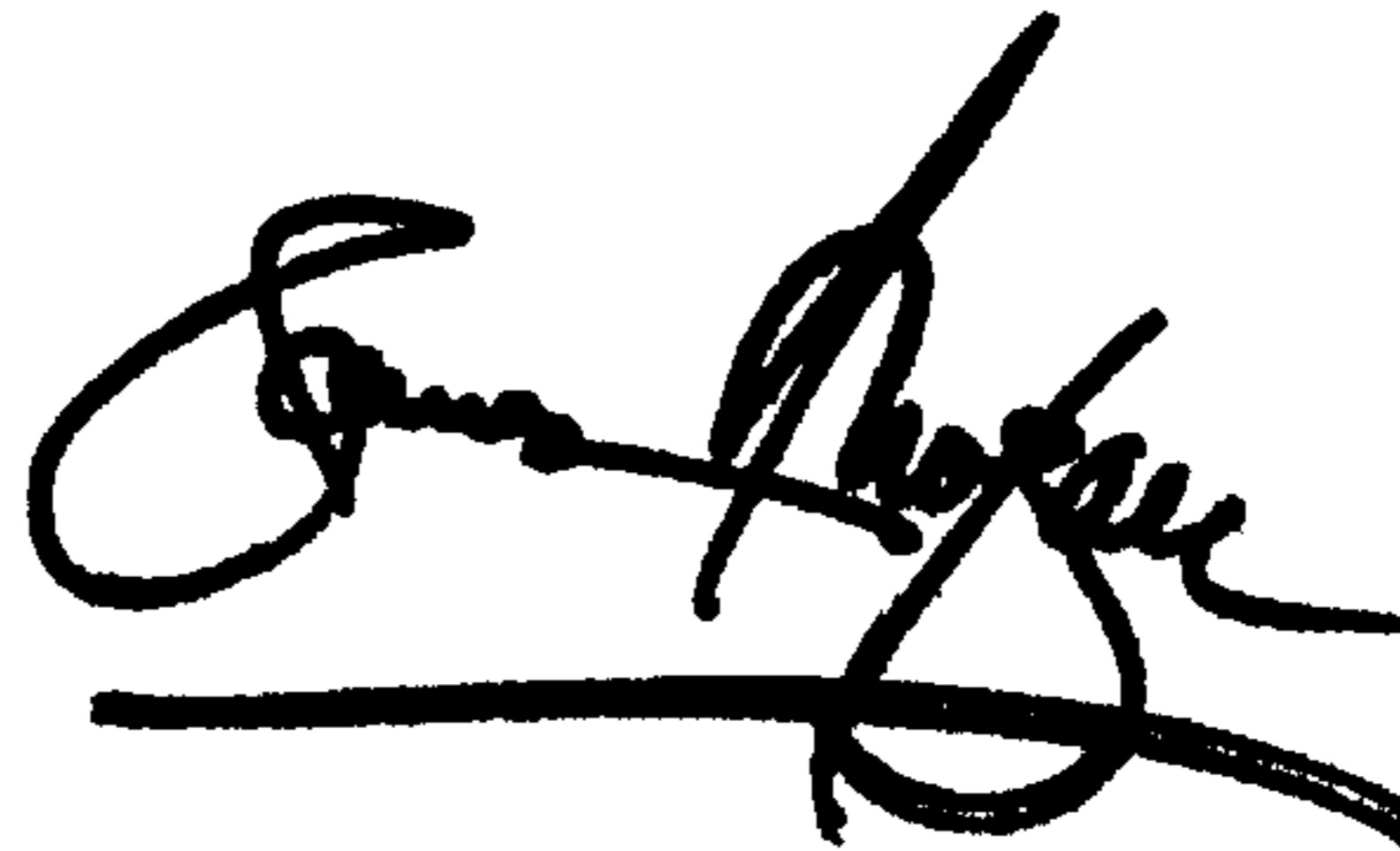
Item [73], the Assignee's information should read:

-- [73] Assignee: **Associates of Cape Cod, Inc.,**
Falmouth, MA (US) --

Signed and Sealed this

Eleventh Day of June, 2002

Attest:



Attesting Officer

JAMES E. ROGAN
Director of the United States Patent and Trademark Office