



US00D450248B1

(12) **United States Design Patent**
Ogg

(10) **Patent No.:** **US D450,248 S**

(45) **Date of Patent:** **** Nov. 13, 2001**

(54) **LOWER PORTION OF A CONTAINER**
(75) Inventor: **Richard K. Ogg**, Littlestown, PA (US)
(73) Assignee: **Graham Packaging Company, L.P.**,
York, PA (US)
(**) Term: **14 Years**

3,935,955 * 2/1976 Das 215/1 C
4,749,092 6/1988 Sugiura 215/1 C
4,982,868 * 1/1991 Robbins, III 220/404
5,690,244 11/1997 Darr 215/382
5,927,499 * 7/1999 Vesborg 206/509

* cited by examiner

Primary Examiner—James Gandy
Assistant Examiner—Daniel Bui
(74) *Attorney, Agent, or Firm*—Howson and Howson

(21) Appl. No.: **29/121,208**
(22) Filed: **Apr. 3, 2000**

(57) **CLAIM**

(51) **LOC (7) Cl.** **09-01**
(52) **U.S. Cl.** **D9/549**
(58) **Field of Search** D9/500, 516, 520,
D9/548, 549, 550, 556, 557, 558, 563,
564, 574, 575; 215/370, 371, 372, 373,
374, 375, 376, 377, 378, 379, 382, 383,
396, 398

The ornamental design for the lower portion of a container,
as shown and described.

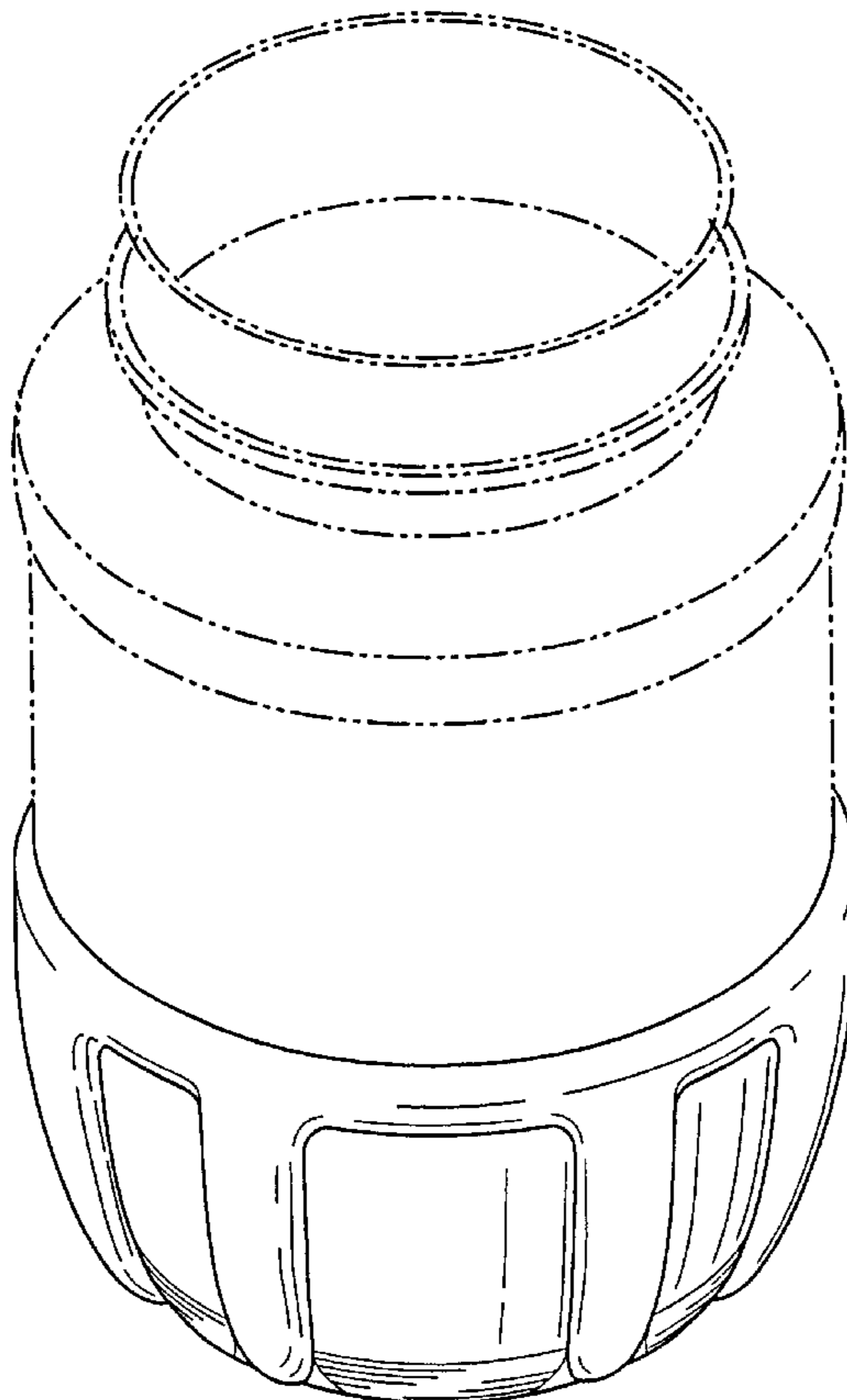
DESCRIPTION

(56) **References Cited**
U.S. PATENT DOCUMENTS

D. 280,707 * 9/1985 Imanishi D9/370
D. 295,956 * 5/1988 Holewinski et al. D9/398
D. 315,295 3/1991 Reece et al. D9/370
D. 380,383 * 7/1997 Wiemann et al. D9/434
D. 423,939 5/2000 Ogg D9/537
D. 435,216 * 12/2000 Paoloski D9/434
3,871,541 * 3/1975 Adomaitis 215/1 C

FIG. 1 is a perspective view of a lower portion of a container
according to my new design;
FIG. 2 is a front elevational view of the lower portion of a
container, the rear elevational view being identical thereto;
and,
FIG. 3 is a right side elevational view of the lower portion
of a container, the left side elevational view being identical
thereto.
The broken line showing of the upper portion of the con-
tainer in FIGS. 1–3 is for illustrative purposes only and
forms no part of the claimed design.

1 Claim, 2 Drawing Sheets



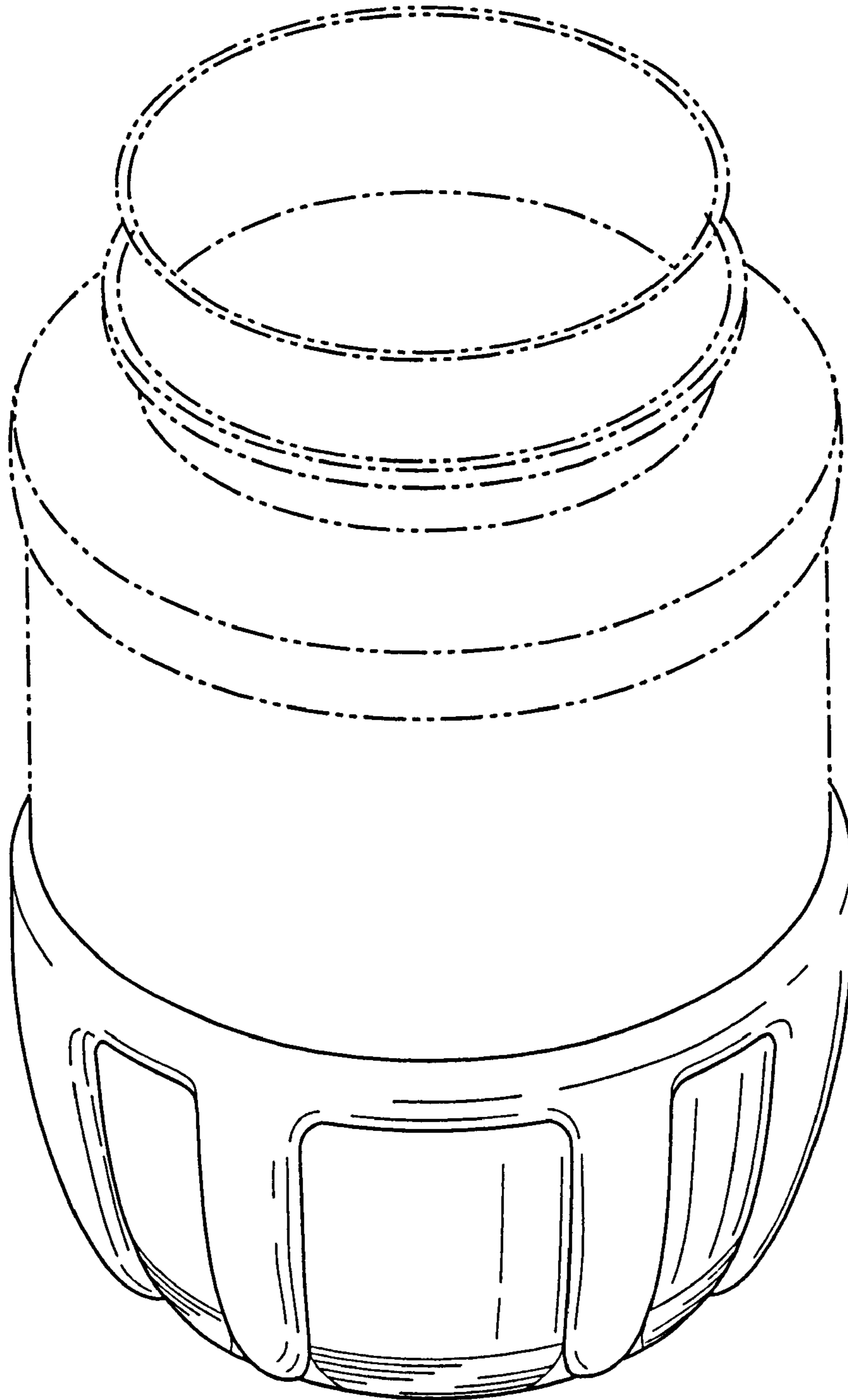


FIG. 1

FIG. 2

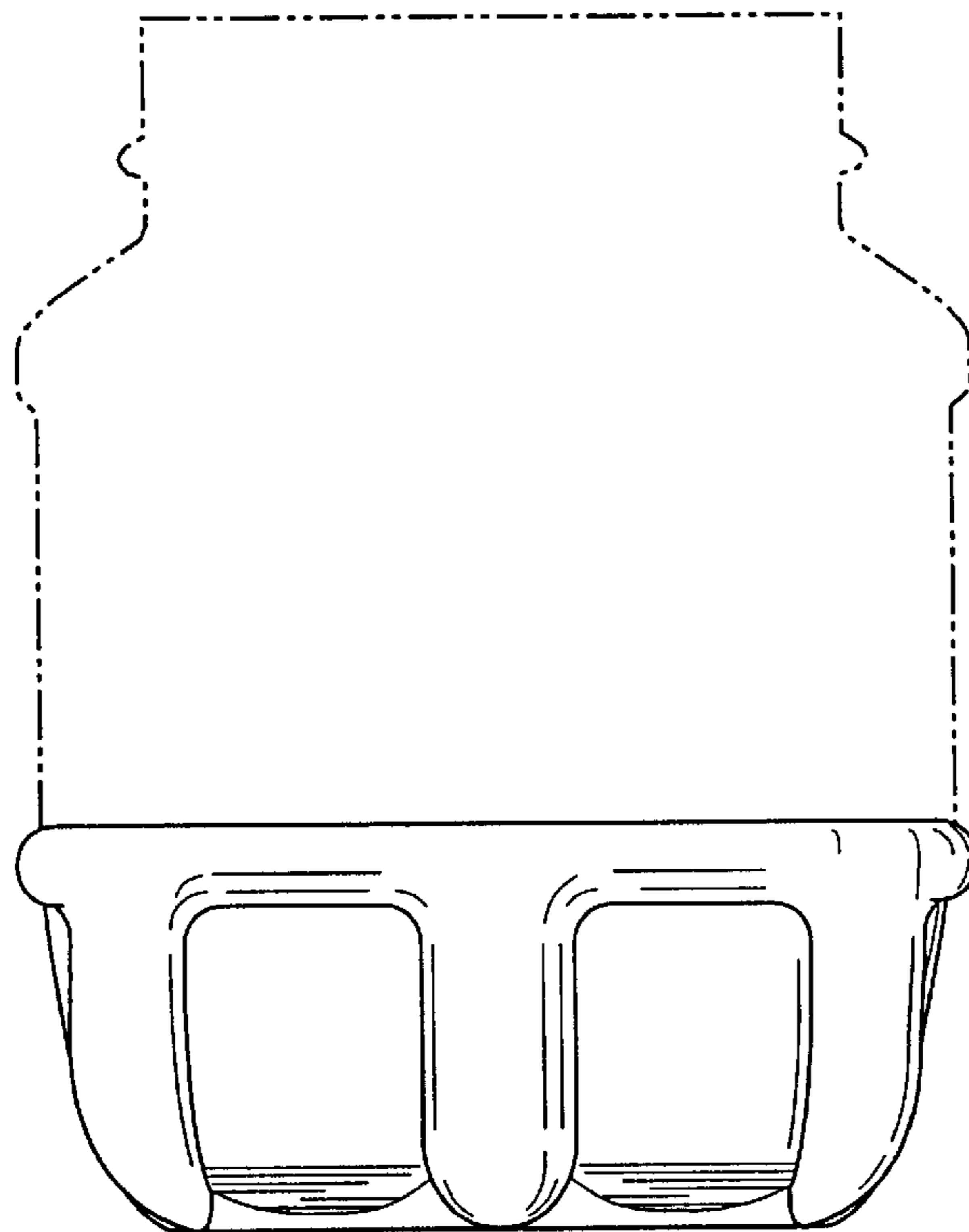
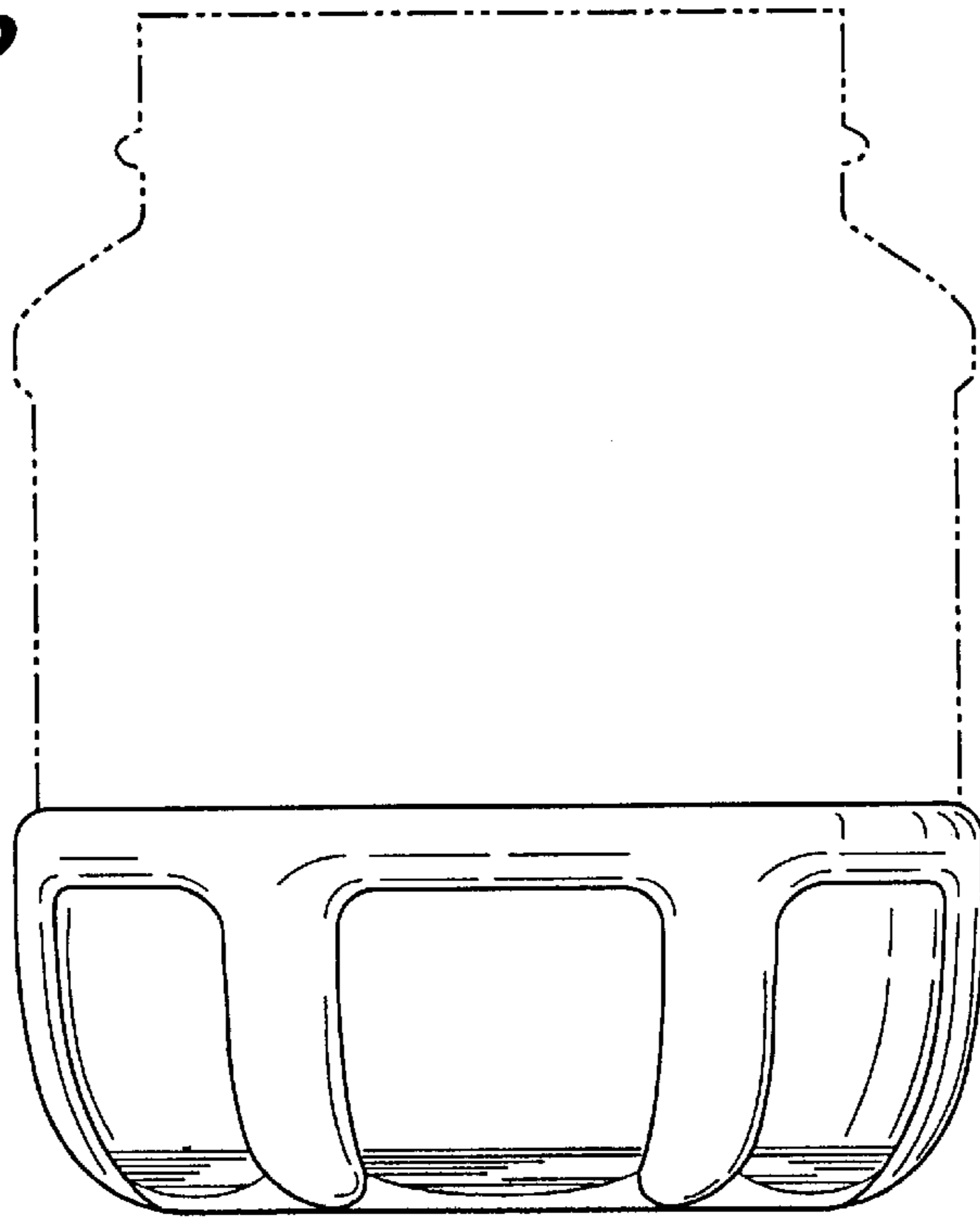


FIG. 3