



US00D450243B1

(12) **United States Design Patent**  
**Toms et al.**

(10) **Patent No.:** **US D450,243 S**

(45) **Date of Patent:** **\*\* Nov. 13, 2001**

(54) **BEVERAGE BOTTLE**

(75) Inventors: **Ray A. Toms**, Golden; **Marilyn Quinn**,  
Boulder; **Patrick B. Edson**, Lakewood;  
**Laura L. Sankey**, Denver; **Joseph R.**  
**Haake**, Broomfield, all of CO (US)

(73) Assignee: **Coors Brewing Company**, Golden, CO  
(US)

(\*\*) Term: **14 Years**

(21) Appl. No.: **29/111,284**

(22) Filed: **Sep. 23, 1999**

(51) **LOC (7) Cl.** ..... **09-01**

(52) **U.S. Cl.** ..... **D9/502**

(58) **Field of Search** ..... D9/500, 503-505,  
D9/545, 550, 551, 548, 300, 571; 215/382-384

(56) **References Cited**

**U.S. PATENT DOCUMENTS**

- D. 191,599 \* 10/1961 King ..... D9/502
- D. 229,891 \* 1/1974 Barrash ..... D9/502
- D. 290,686 \* 7/1987 Board ..... D9/500
- D. 328,430 \* 8/1992 Miller ..... D9/502

- D. 357,864 \* 5/1995 Rusnock et al. .... D9/500
- D. 364,347 \* 11/1995 Sillince et al. .... D9/500
- D. 414,417 \* 9/1999 Alt ..... D9/502
- D. 434,661 \* 12/2000 Zambrano ..... D9/500

\* cited by examiner

*Primary Examiner*—Mitchell Siegel

(74) *Attorney, Agent, or Firm*—Klaas, Law, O’Meara &  
Malkin, P.C.; William P. O’Meara, Esq.

(57) **CLAIM**

The ornamental design for a beverage bottle, as shown and  
described.

**DESCRIPTION**

FIG. 1 is a front elevation view of a beverage bottle showing  
our new design;

FIG. 2 is a back elevation view thereof;

FIG. 3 is a left elevation view thereof;

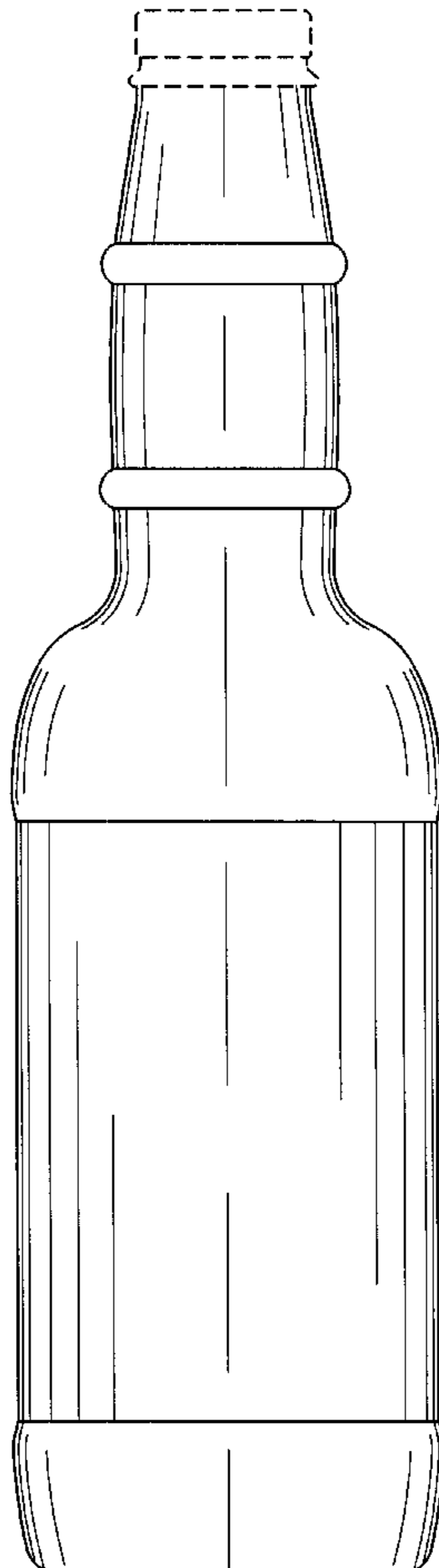
FIG. 4 is a right elevation view thereof;

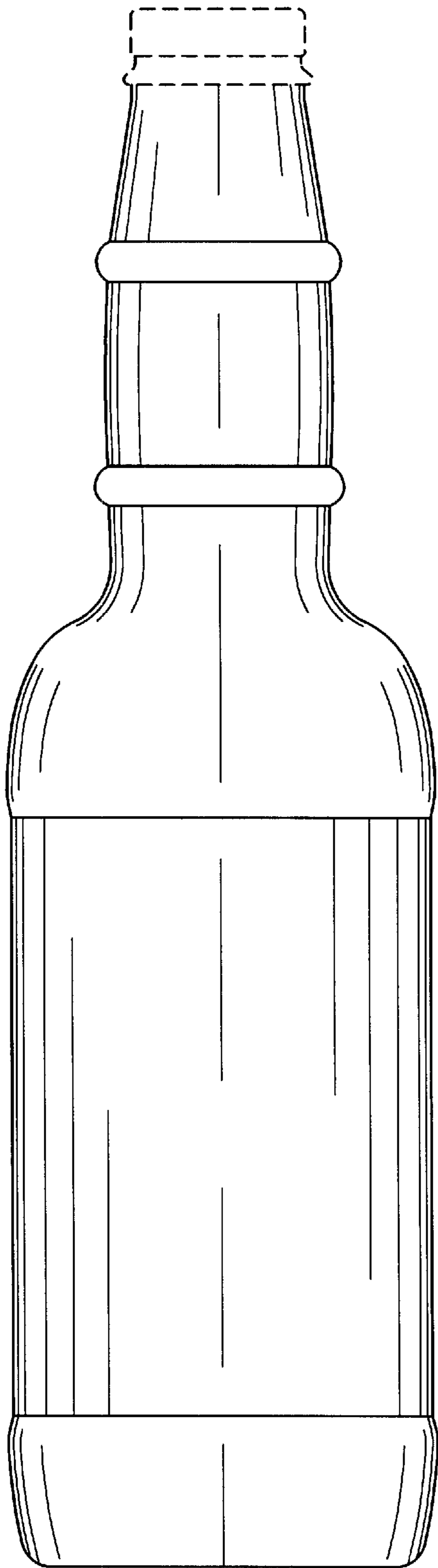
FIG. 5 is a top plan view thereof; and,

FIG. 6 is a bottom plan view thereof.

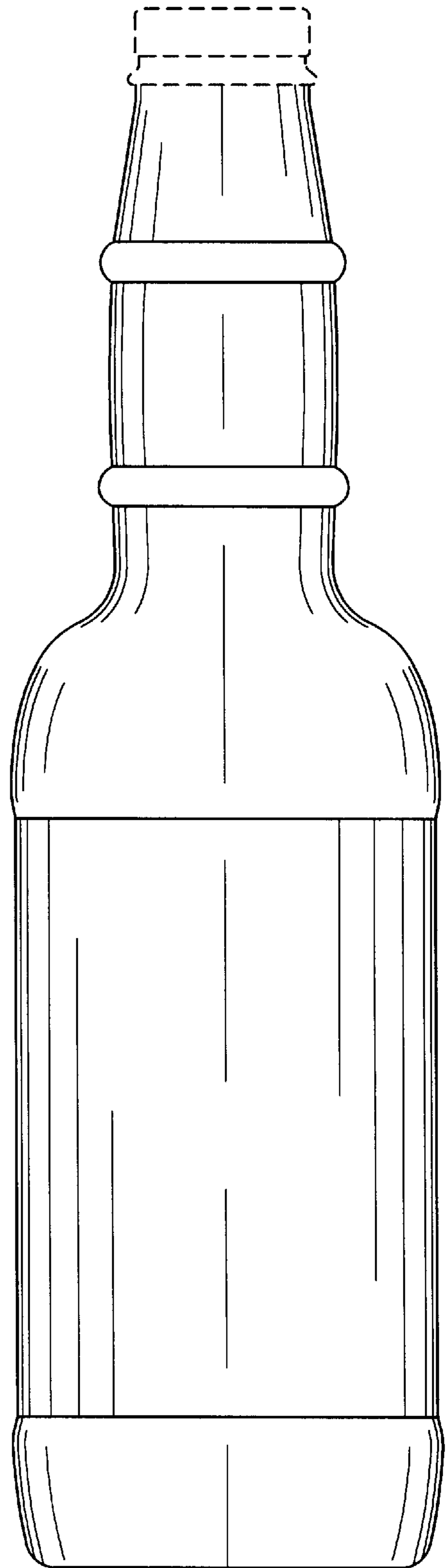
The broken line showing is for illustrative purposes only and  
forms no part of the claimed design.

**1 Claim, 3 Drawing Sheets**

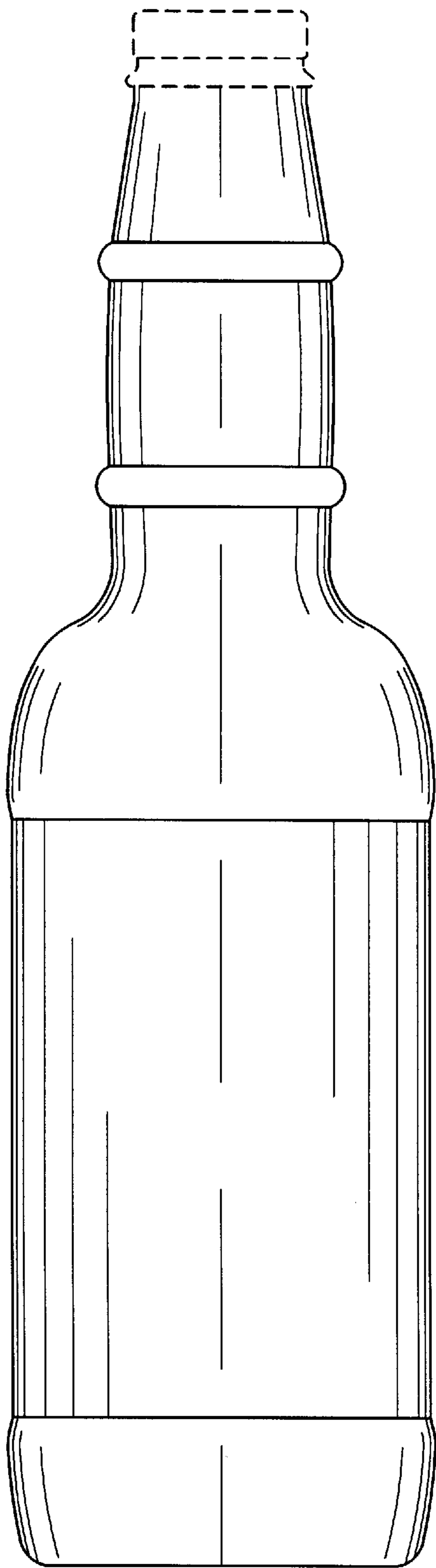




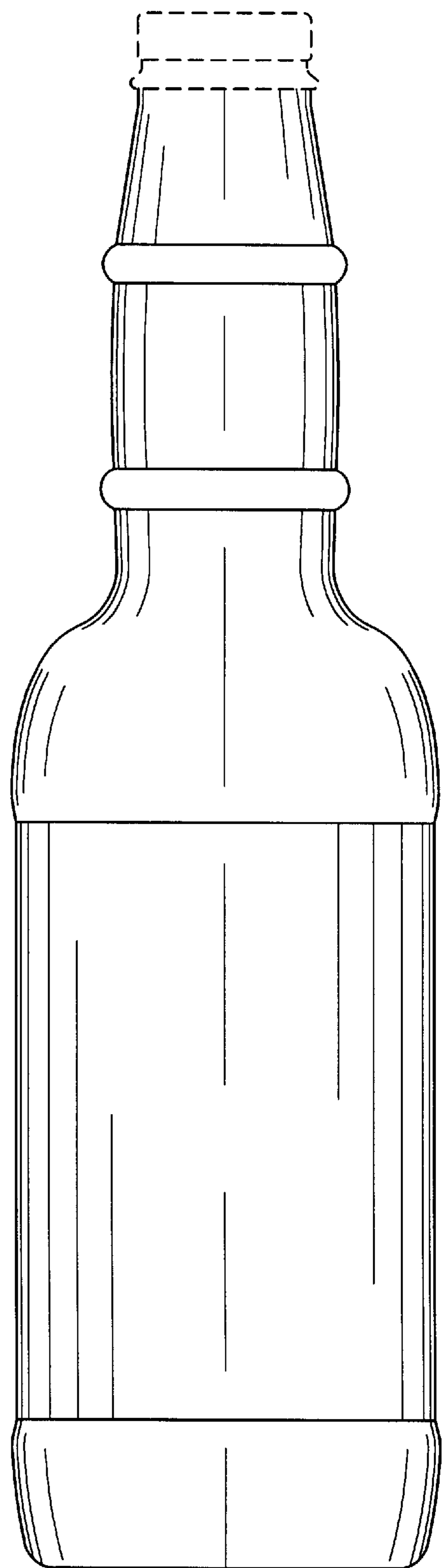
**FIG. 1**



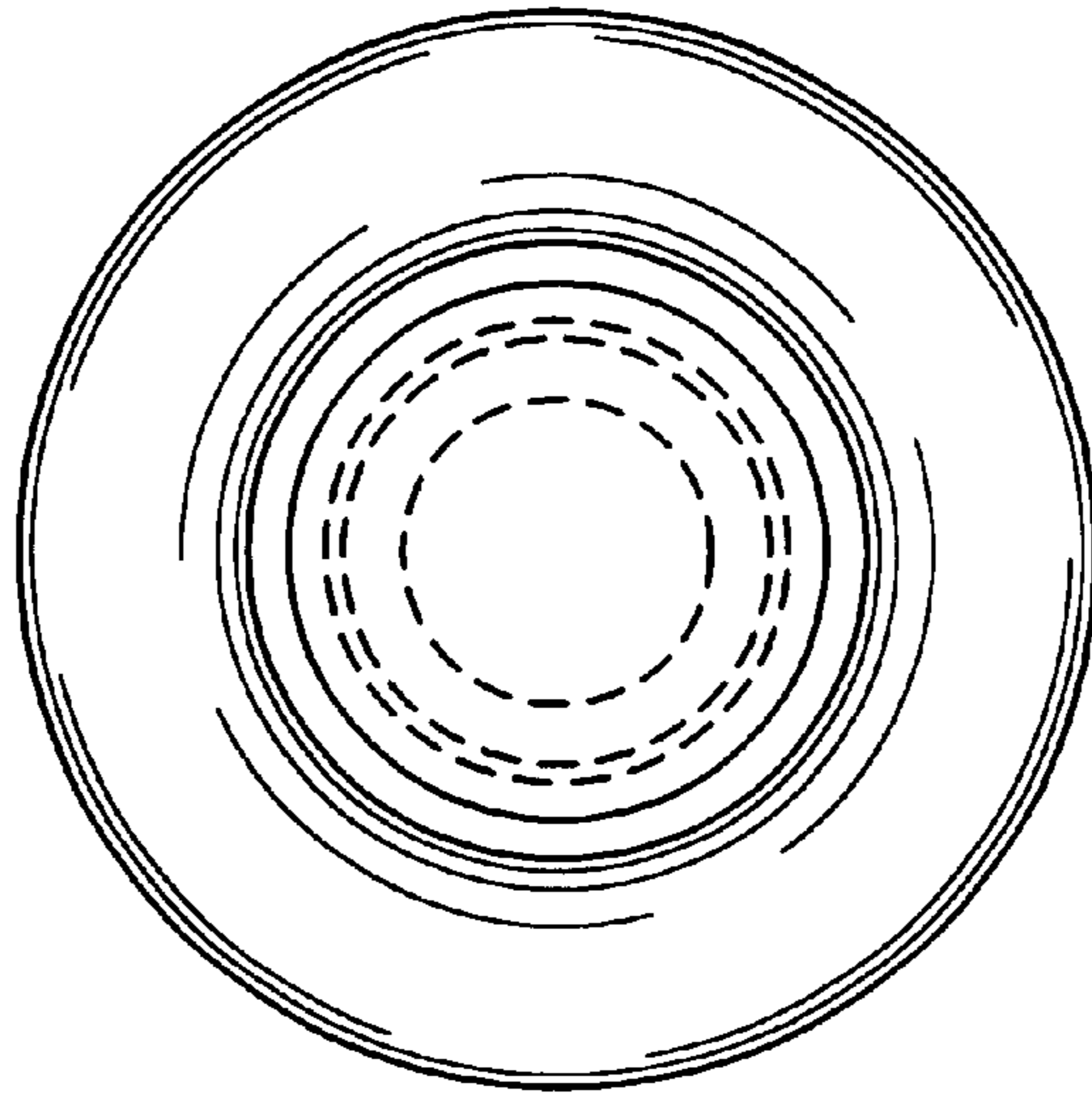
**FIG. 2**



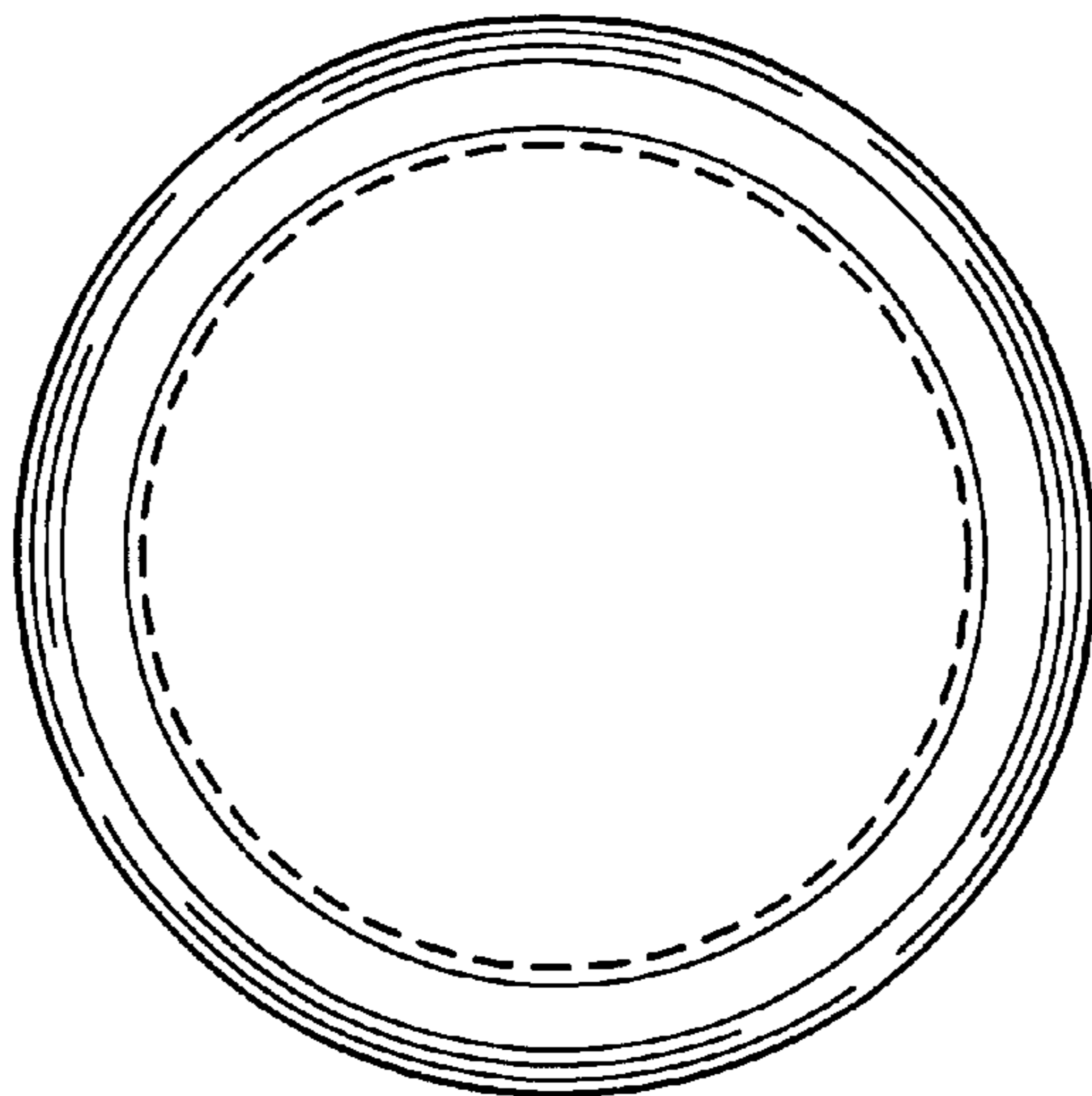
**FIG. 3**



**FIG. 4**



**FIG. 5**



**FIG. 6**