



US00D450241B1

(12) **United States Design Patent**
Erhardt et al.

(10) **Patent No.:** **US D450,241 S**

(45) **Date of Patent:** **** Nov. 13, 2001**

(54) **SPRAY TIP**

(76) Inventors: **Walter L. Erhardt**, 202 Bennett St., Mt. Pleasant, SC (US) 29464; **Dennis L. Turocy**, 102 Berringer Dr., Goose Creek, SC (US) 29445

(**) Term: **14 Years**

(21) Appl. No.: **29/138,520**

(22) Filed: **Mar. 15, 2001**

(51) **LOC (7) Cl.** **09-07**

(52) **U.S. Cl.** **D9/434; D9/448**

(58) **Field of Search** D9/434, 447, 448, D9/449; D23/213, 223, 226; 222/153.1, 153.11, 153.12, 153.13, 153.14, 566; 239/333, 436

(56) **References Cited**

U.S. PATENT DOCUMENTS

D. 210,768	*	4/1968	Ryan	D9/448
D. 221,421	*	8/1971	Lindberg	D9/449
D. 257,740	*	12/1980	Humphrey, II et al.	D23/226
D. 291,415	*	8/1987	Abplanalp	D9/448
D. 346,428	*	4/1994	Warshawsky	D23/213
4,779,803	*	10/1988	Corsette	239/428.5
5,125,537	*	6/1992	Slapin et al.	222/556 X
5,816,503	*	10/1998	Nelson	239/333
6,186,366	*	2/2001	Good et al.	222/153.14

* cited by examiner

Primary Examiner—Cathron C. Brooks

(74) *Attorney, Agent, or Firm*—Needle & Rosenberg, P.C.

(57) **CLAIM**

The ornamental design for a spray tip, as shown and described.

DESCRIPTION

FIG. 1 is a front perspective view of a first embodiment of the spray tip of the present invention.

FIG. 2 is a front end view of FIG. 1.

FIG. 3 is a side elevational view of FIG. 1.

FIG. 4 is a top plan view of FIG. 1, the bottom plan view being a mirror image.

FIG. 5 is a back end view of FIG. 1.

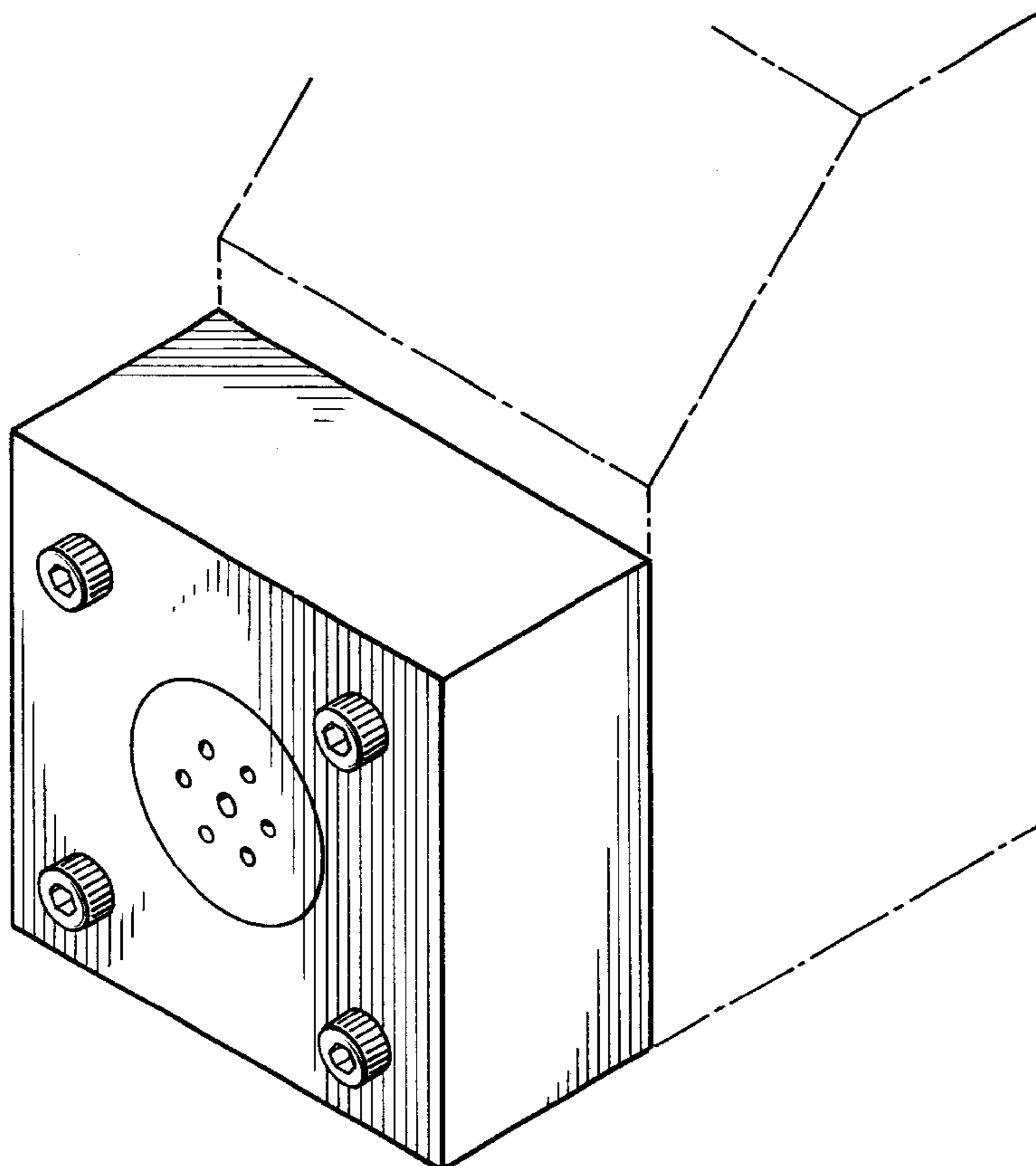
FIG. 6 is a front perspective view of a second embodiment of the spray tip of the present invention; and,

FIG. 7 is a front end view of FIG. 6.

Referring to FIGS. 3–5, it will be understood that the side elevational view shown in FIG. 3, the top plan view shown in FIG. 4 and the back end view shown in FIG. 5 are also illustrative of the respective side elevational view, the top plan view, and the back end view of the second embodiment of the spray tip shown in FIGS. 6 and 7.

The broken lines shown are for illustrative purposes only and form no part of the claimed design.

1 Claim, 3 Drawing Sheets



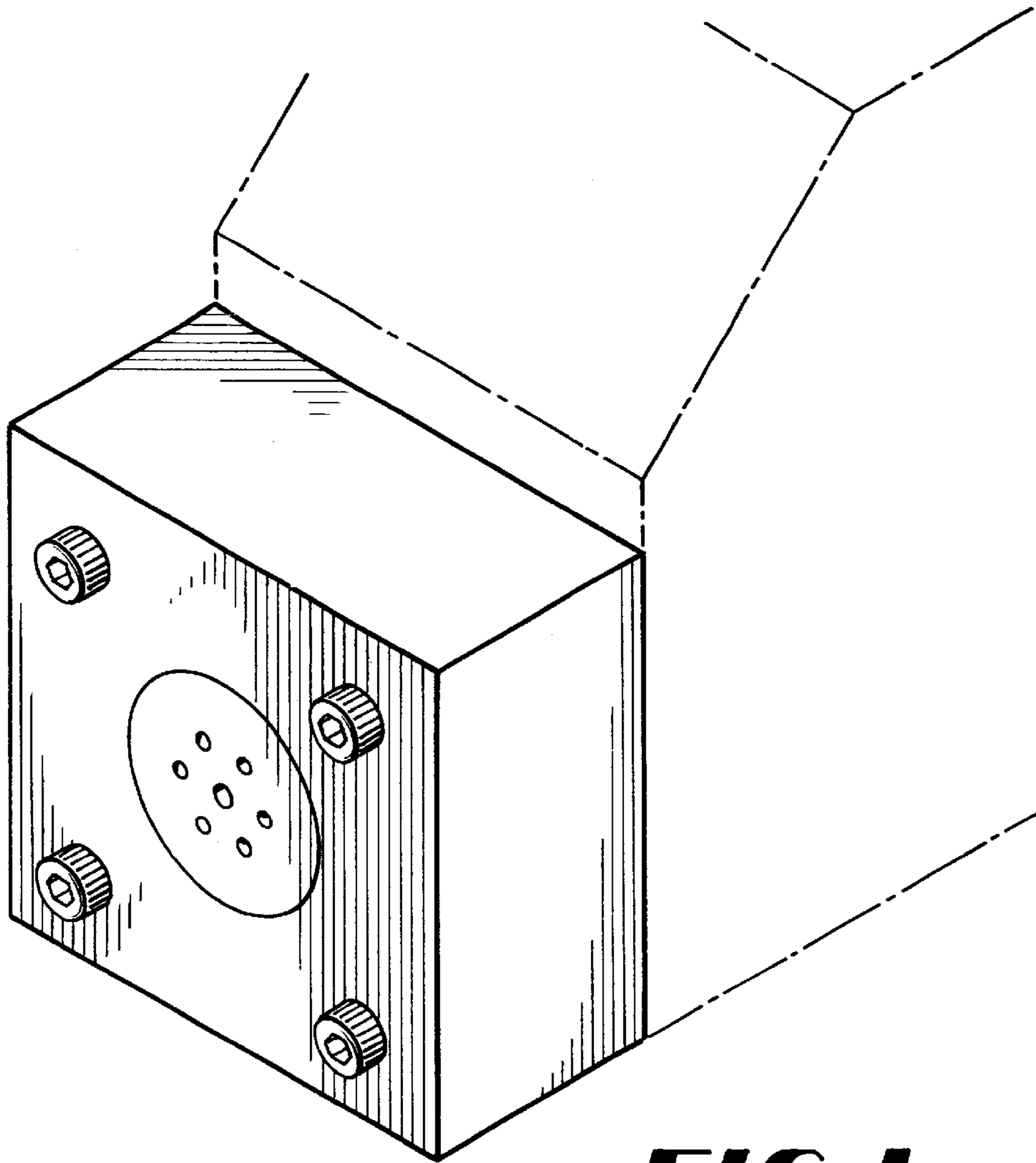


FIG 1

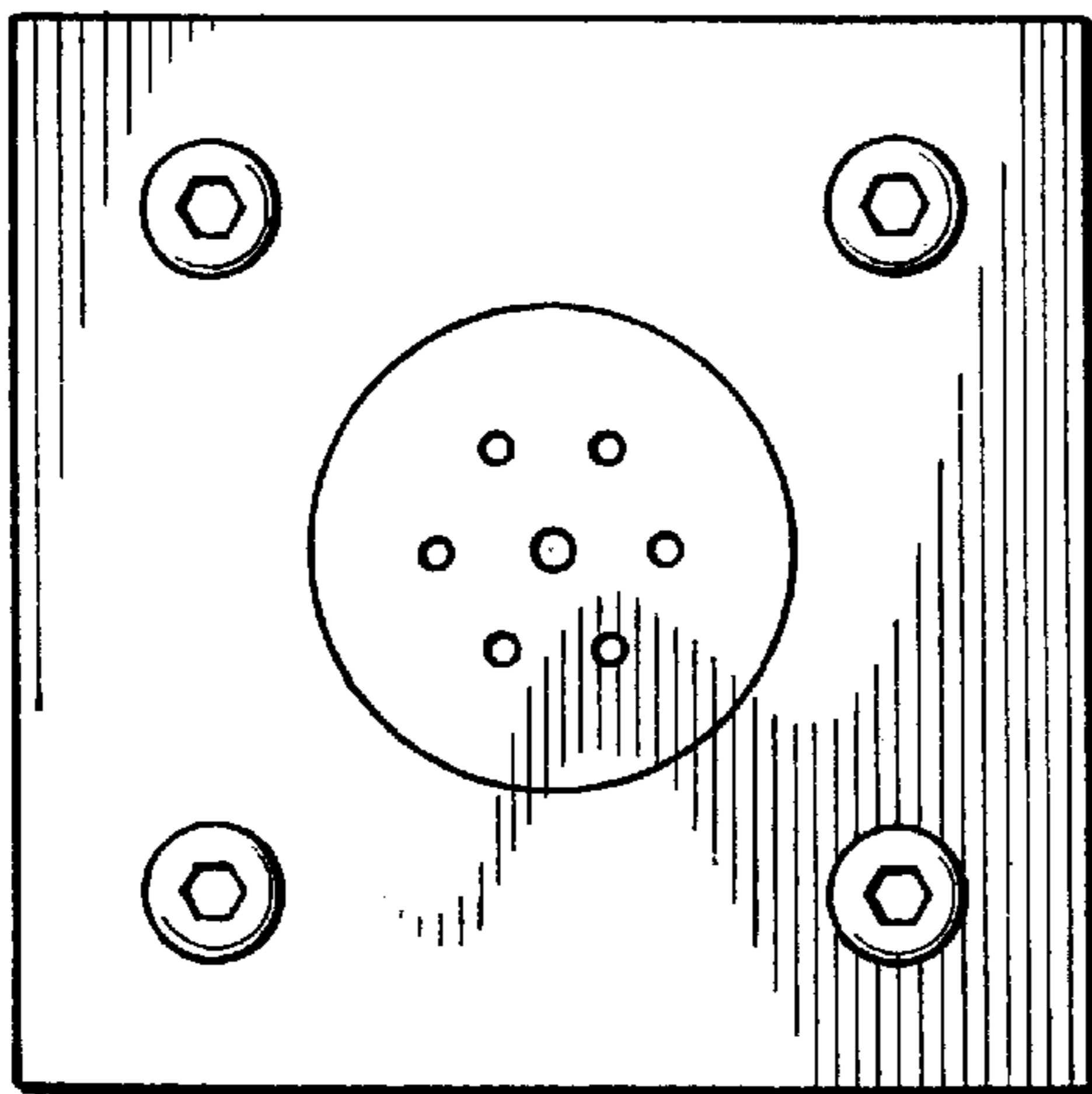


FIG 2

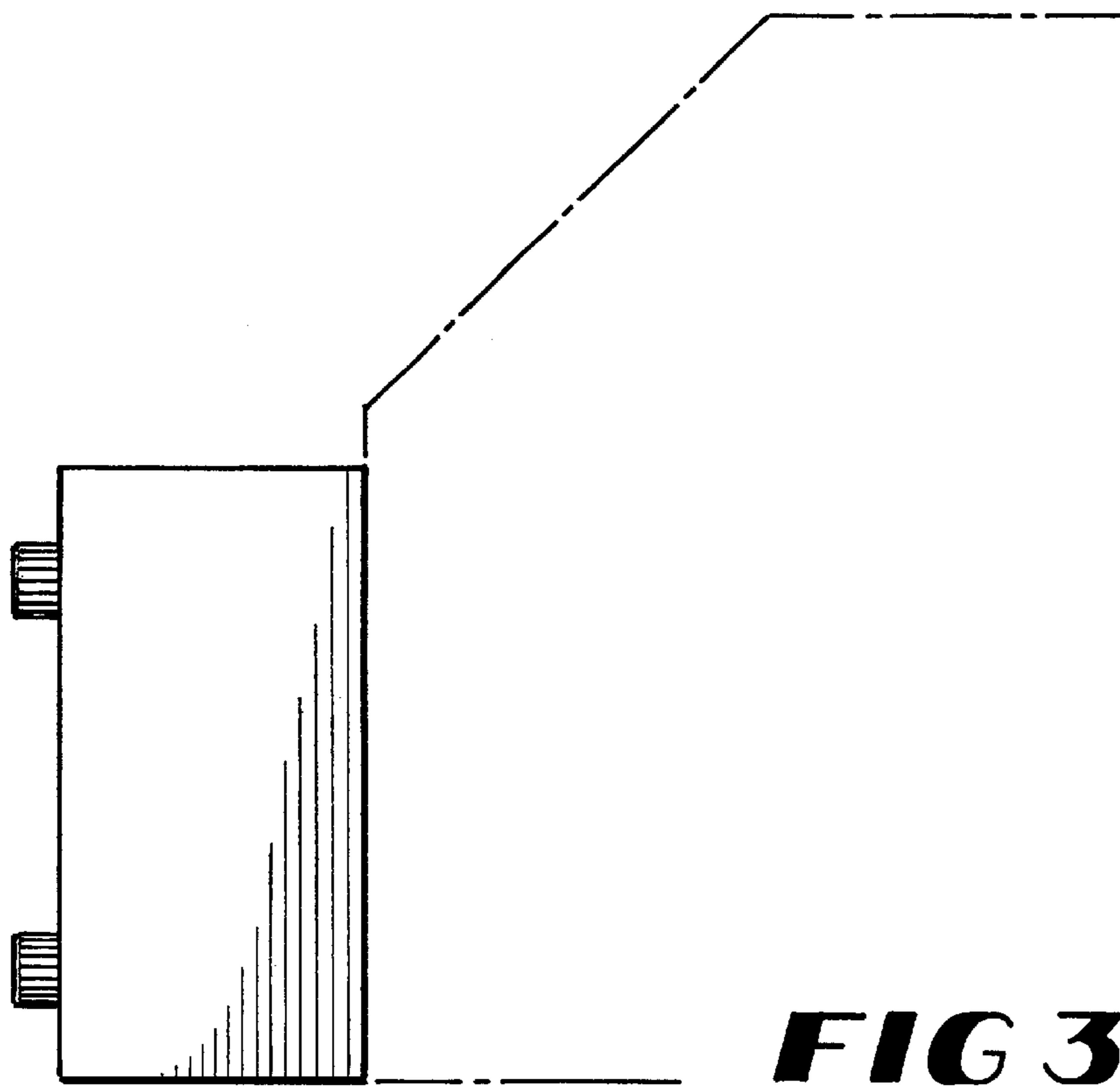


FIG 3

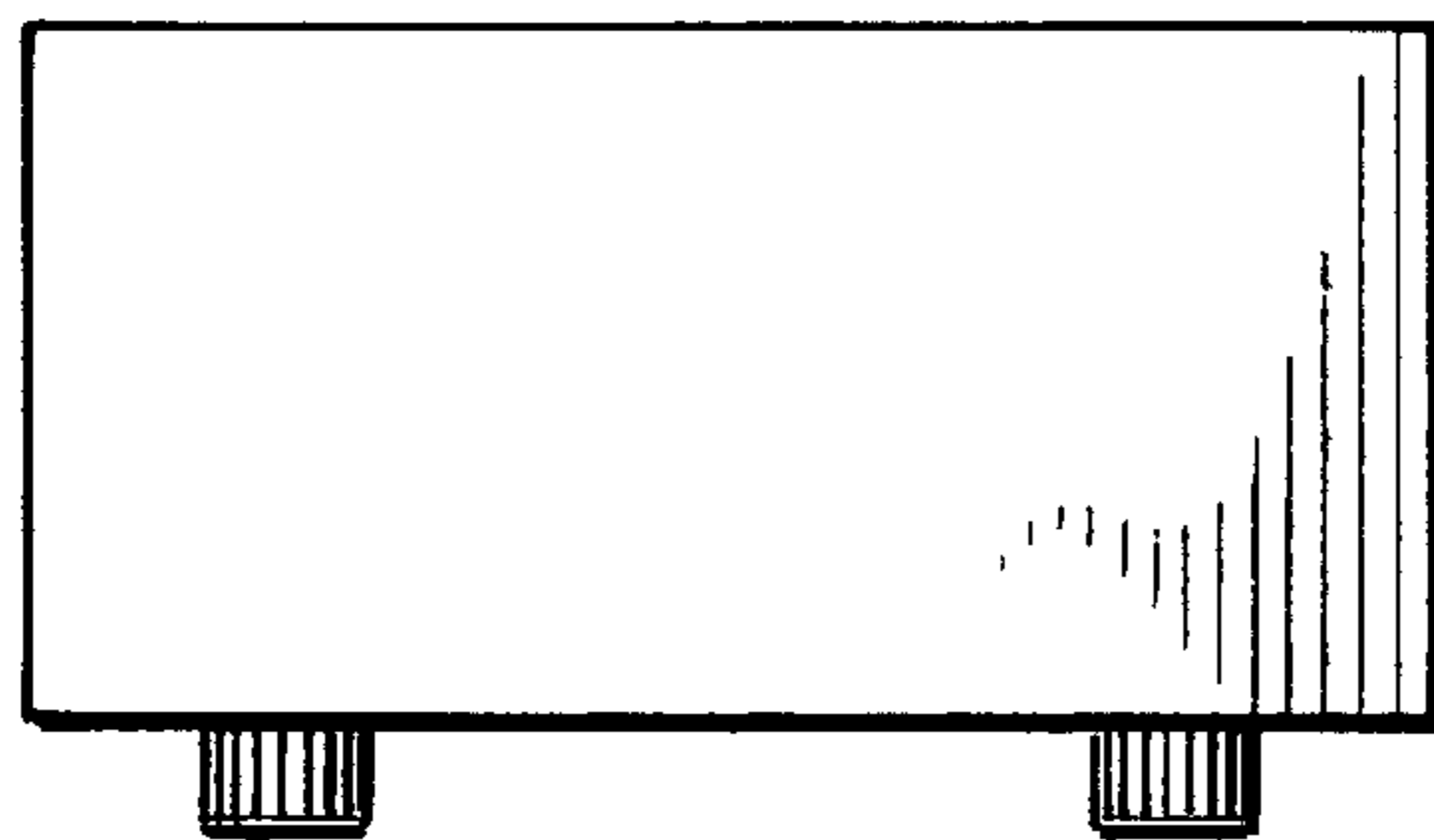


FIG 4

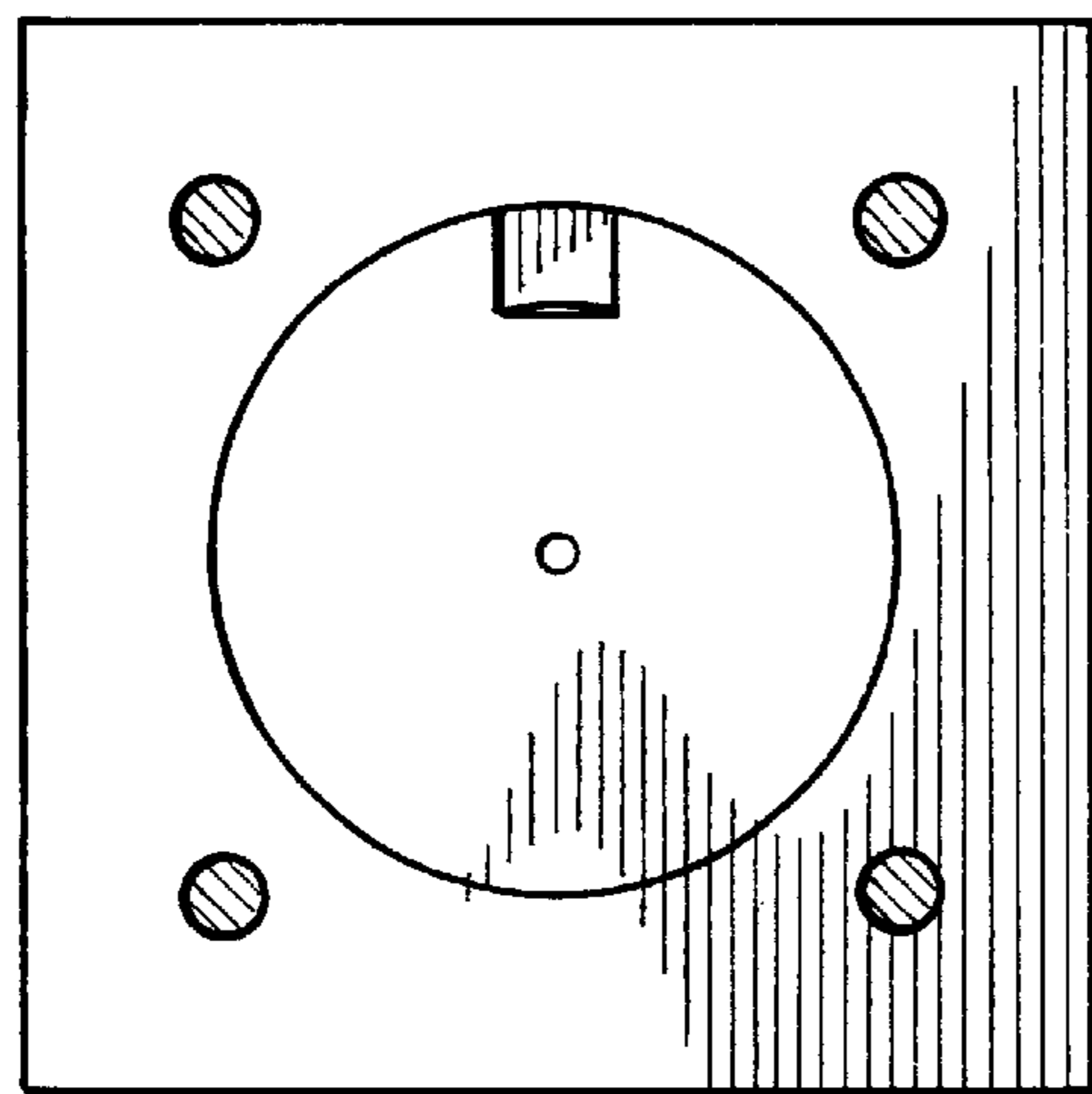


FIG 5

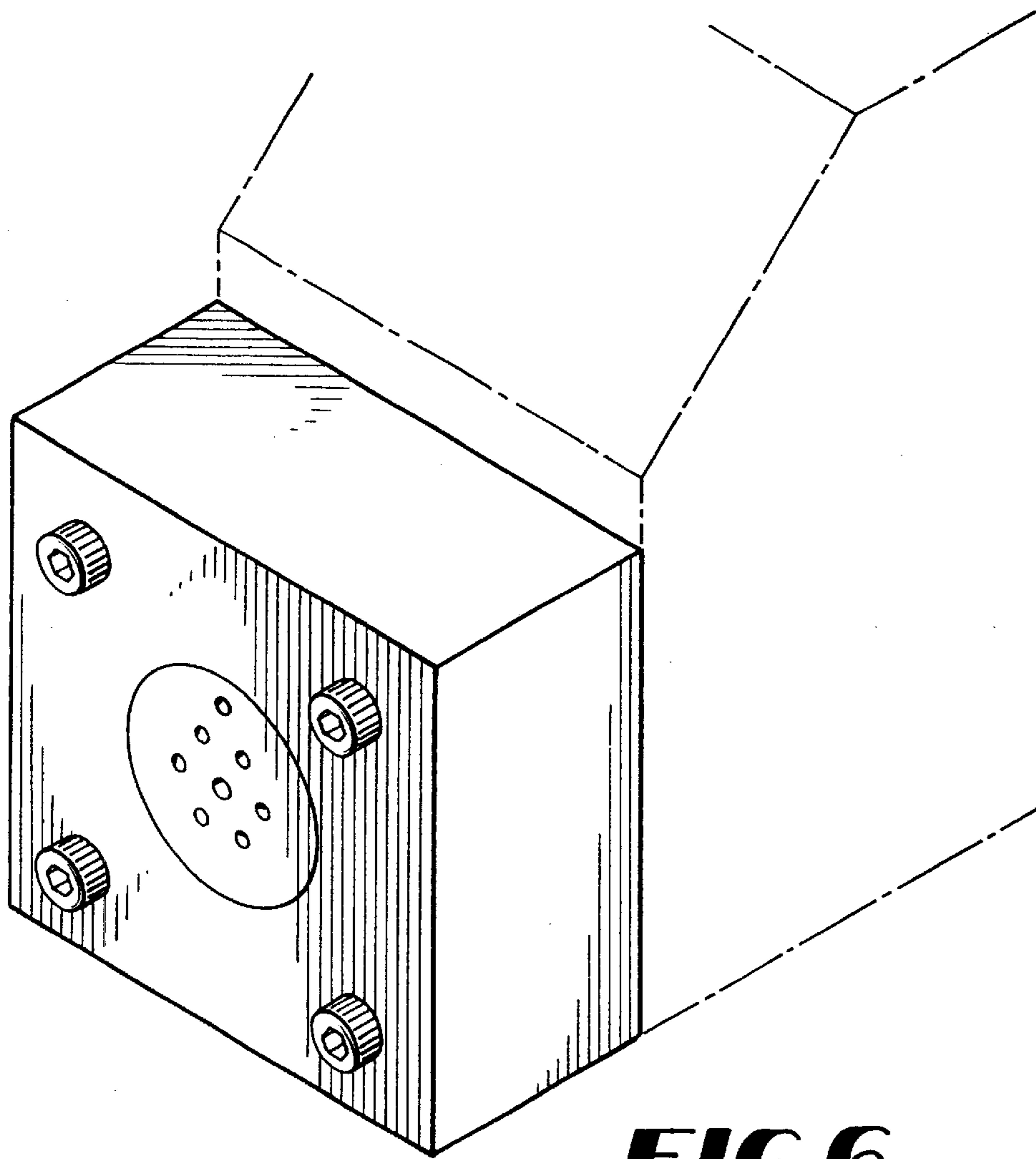


FIG 6

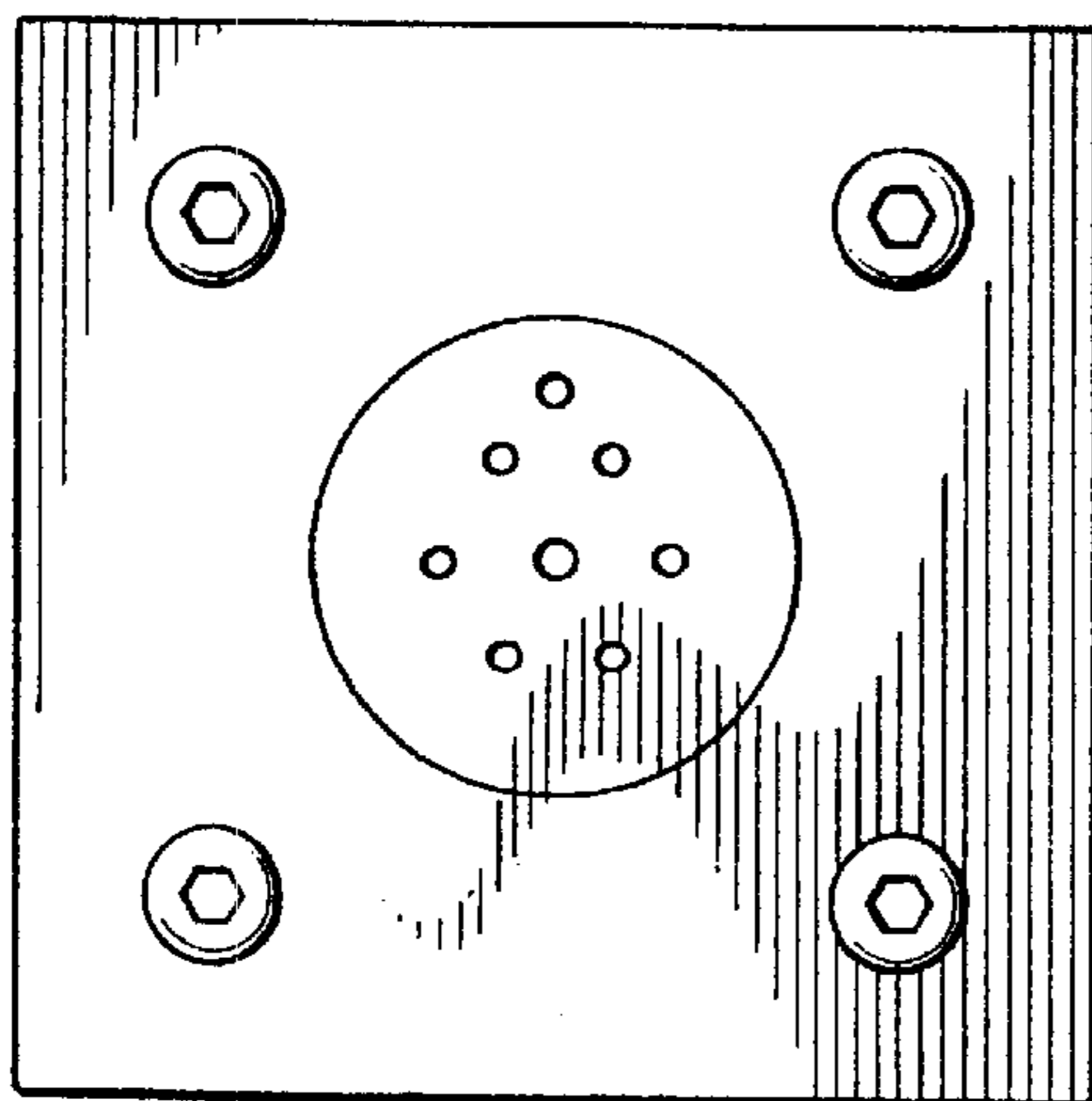


FIG 7