



US00D450237B1

(12) **United States Design Patent**
Vande Steeg et al.

(10) **Patent No.:** **US D450,237 S**

(45) **Date of Patent:** **** Nov. 13, 2001**

(54) **COMBINED FOLDING CRANK HANDLE AND COVER ASSEMBLY FOR A CASEMENT WINDOW OPERATOR**

(75) Inventors: **David J. Vande Steeg**, Pella; **Andrew W. Middleswart**, Indianola; **Marlo G. Van Klompenburg**; **Bruce A. Baier**, both of Pella, all of IA (US); **Frank R. Wilgus**, Delaware, OH (US); **Gregory J. Vetter**, Owatonna, MN (US)

(73) Assignee: **Pella Corporation**, Pella, IA (US)

(**) Term: **14 Years**

(21) Appl. No.: **29/133,777**

(22) Filed: **Dec. 6, 2000**

(51) **LOC (7) Cl.** **08-09**

(52) **U.S. Cl.** **D8/400; D8/338**

(58) **Field of Search** 292/336.3, 198, 292/200, 202, 210, DIG. 31, DIG. 33, DIG. 20; 16/429, 900; 74/545, 543, 528, 547; 49/324, 460; 70/209, 208; D8/338, 400, 337, 344, 302

(56) **References Cited**

U.S. PATENT DOCUMENTS

- D. 347,569 6/1994 Vetter et al. .
- D. 350,666 9/1994 Wobschall et al. .
- D. 361,490 8/1995 Vetter .
- D. 365,513 12/1995 Vetter et al. .
- D. 369,741 5/1996 Harrison et al. .
- D. 375,042 10/1996 Anderson et al. .
- D. 375,254 11/1996 Anderson et al. .
- D. 375,445 11/1996 Harrison et al. .
- D. 375,674 11/1996 Anderson et al. .
- D. 379,917 6/1997 Vetter et al. .
- D. 390,454 2/1998 Vetter et al. .
- D. 408,274 4/1999 Vetter et al. .

- D. 408,729 4/1999 Virkler et al. .
- D. 421,209 * 2/2000 Buckland D8/338
- 1,274,471 8/1918 Todd .
- 2,355,932 8/1944 Walton .
- 3,007,348 11/1961 Barnes .
- 3,044,478 7/1962 Russell .
- 4,392,330 7/1983 Buhr .
- 5,006,766 4/1991 Yuhas et al. .
- 5,400,473 3/1995 Delman .
- 5,467,503 11/1995 Nolte et al. .
- 5,551,316 9/1996 Blank .
- 5,560,082 10/1996 Vetter .
- 5,620,213 * 4/1997 Ellis 292/210
- 5,765,308 6/1998 Anderson et al. .
- 5,813,171 9/1998 Piltingsrud .
- 5,937,582 8/1999 Taylor .
- 6,039,363 * 3/2000 Sugimura et al. 292/202
- 6,227,581 * 5/2001 Lambert 292/200

* cited by examiner

Primary Examiner—Jennifer Rivard

(74) *Attorney, Agent, or Firm*—Hovey, Williams, Timmons & Collins

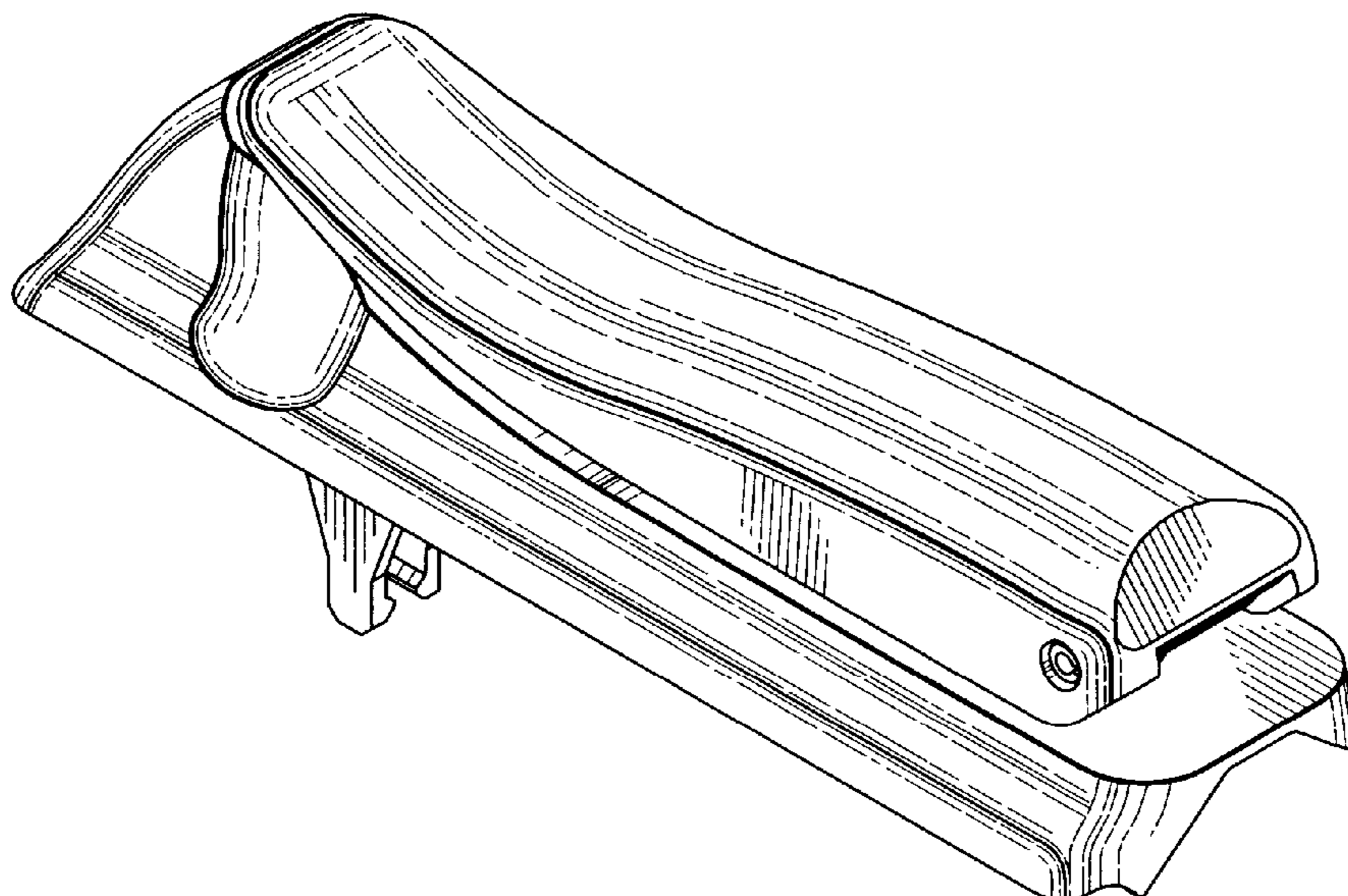
(57) **CLAIM**

The ornamental design for a combined folding crank handle and cover assembly for a casement window operator, as shown and described.

DESCRIPTION

FIG. 1 is a top front perspective view of a combined folding crank handle and cover assembly for a casement window operator embodying our design in accordance with the present invention; FIG. 2 is a top plan view thereof; FIG. 3 is a side elevational view thereof; FIG. 4 is an opposite side elevational view thereof; FIG. 5 is an end elevational view thereof; and, FIG. 6 is an opposite end elevational view thereof.

1 Claim, 1 Drawing Sheet



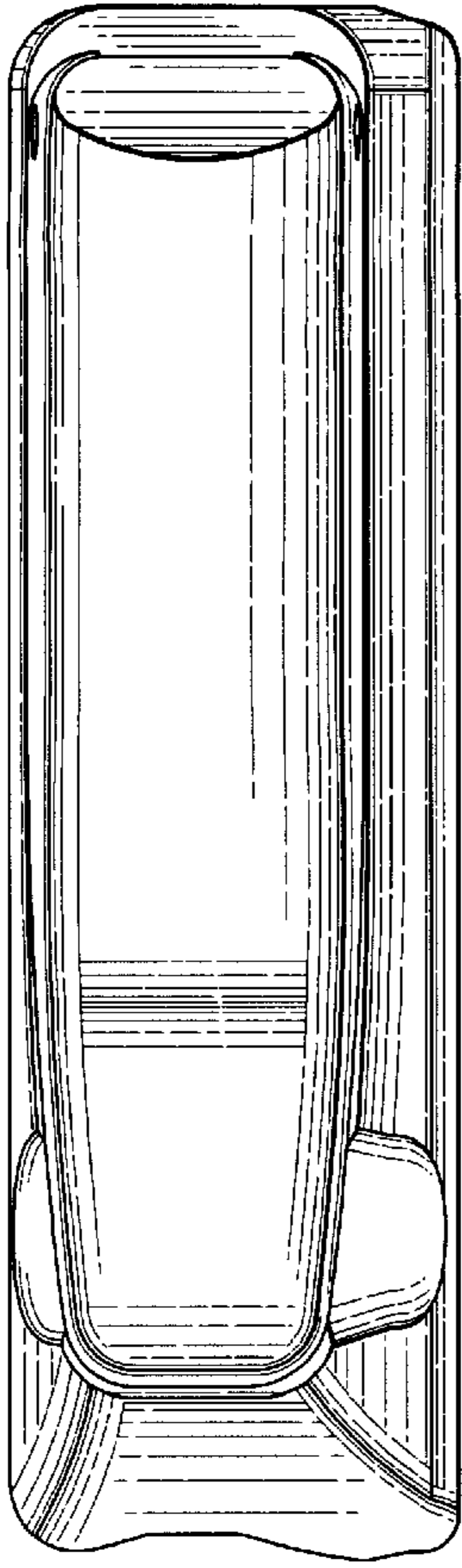


Fig. 2.

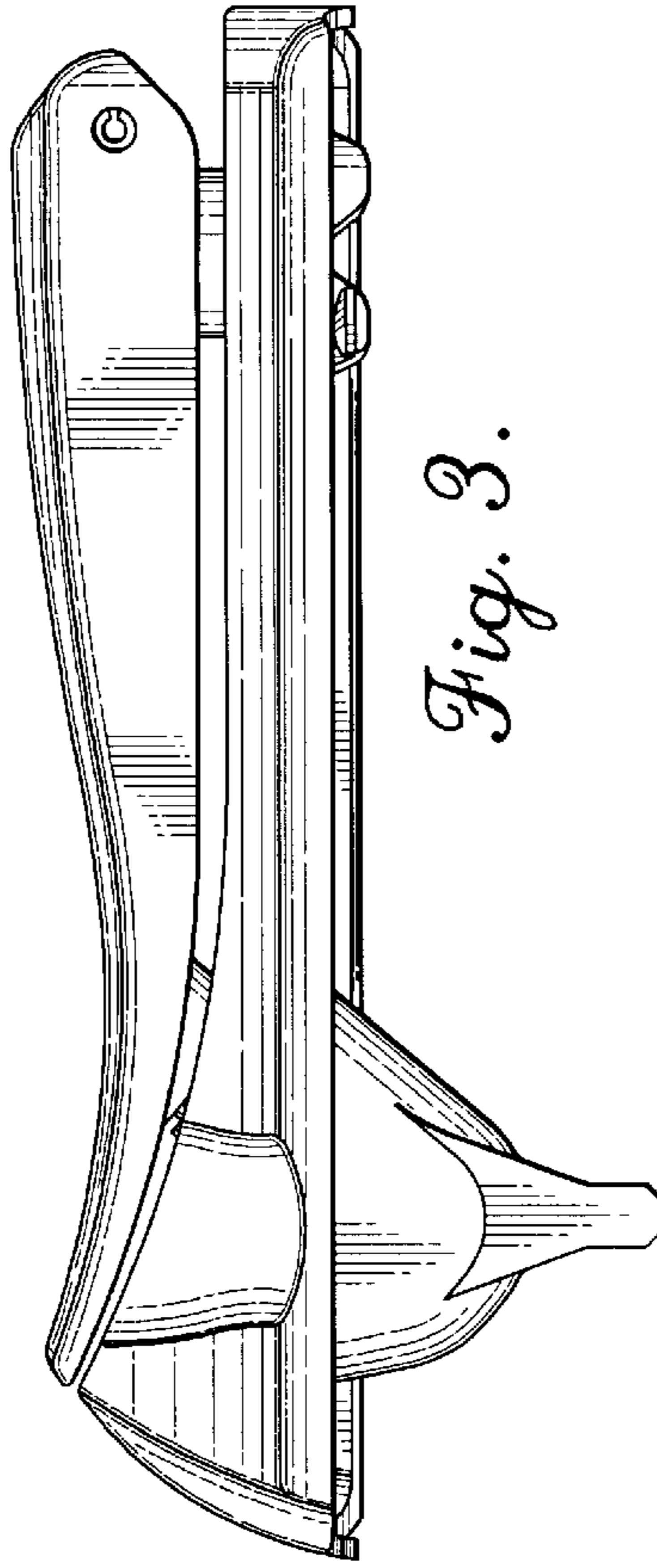


Fig. 3.

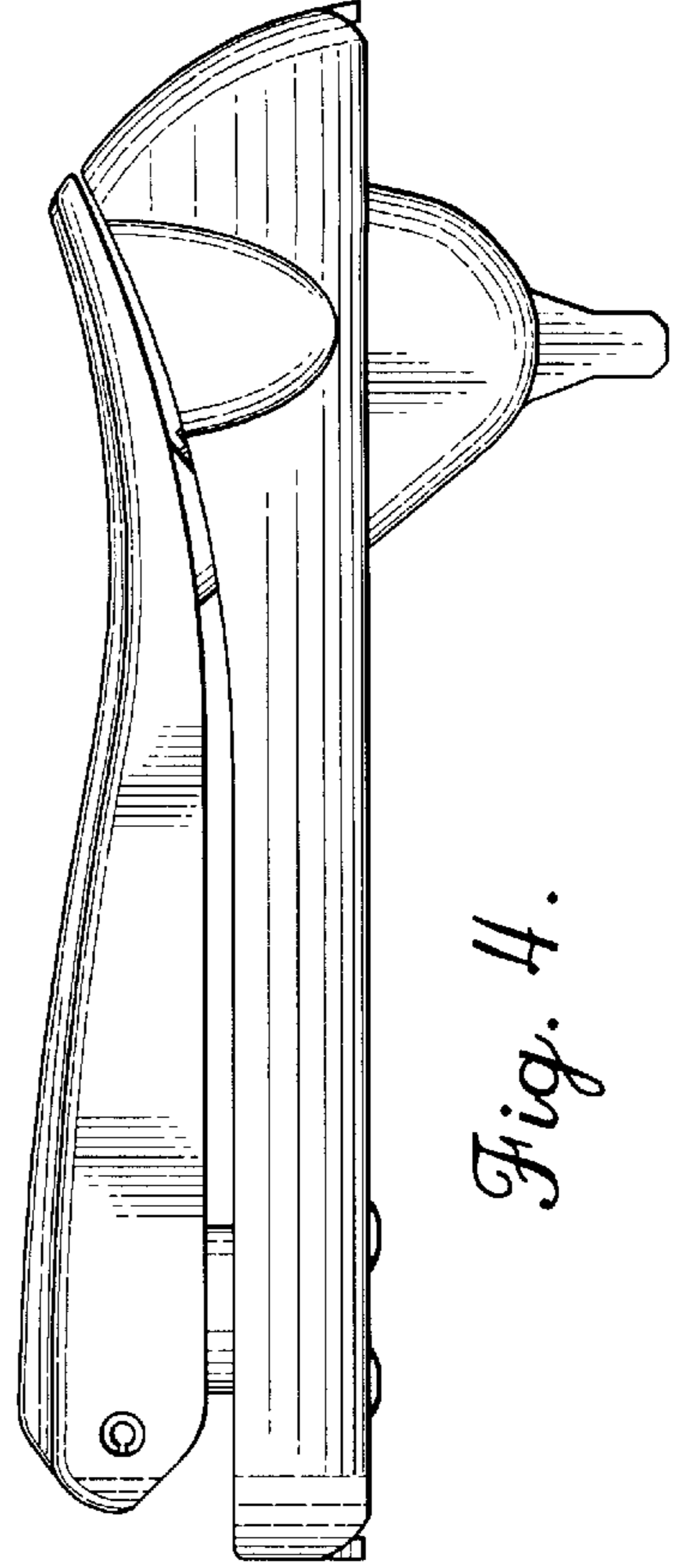


Fig. 4.

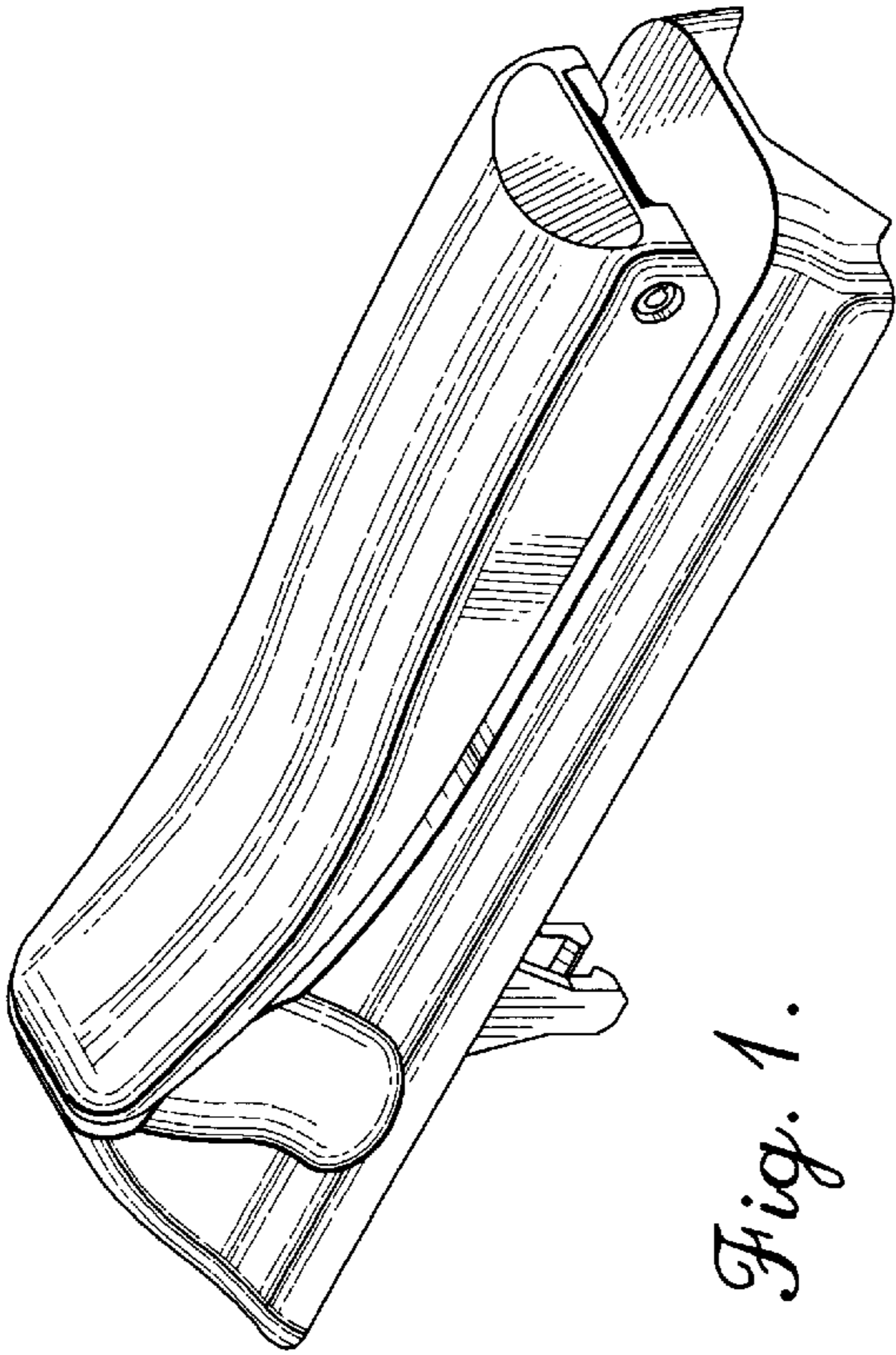


Fig. 1.

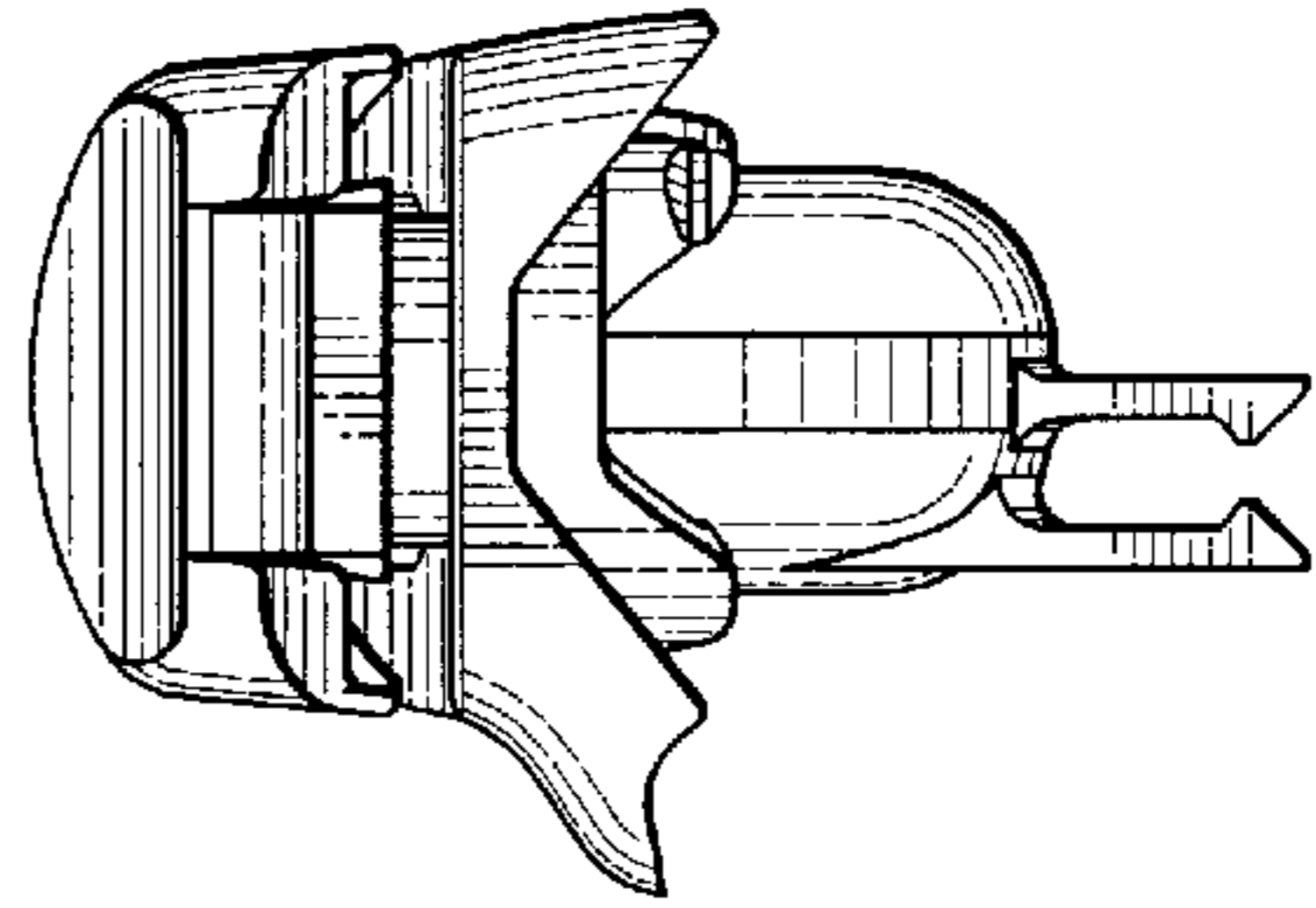


Fig. 6.

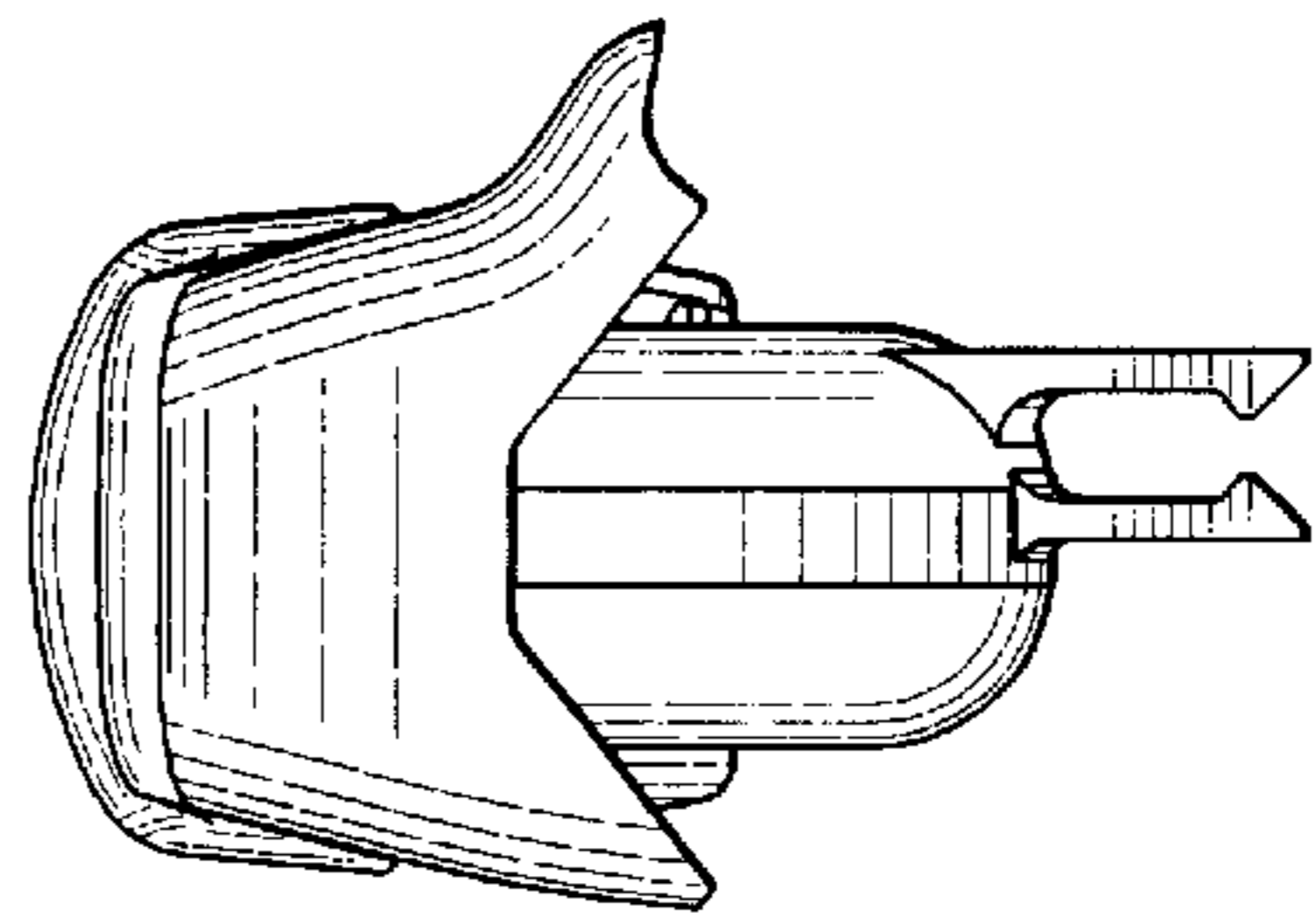


Fig. 5.