



US00D450236B1

(12) **United States Design Patent**
Shinjo et al.

(10) **Patent No.:** **US D450,236 S**

(45) **Date of Patent:** **** Nov. 13, 2001**

(54) **CLINCH NUT**

D. 223,747 * 6/1972 Shinjo D8/397

(75) Inventors: **Katsumi Shinjo**, Osaka; **Tadashi Shinjo**, Sakai; **Hiroshi Shinjo**, Osaka, all of (JP)

(73) Assignee: **Yugenkaisha Shinjo Seisakusho**, Osaka (JP)

(**) Term: **14 Years**

(21) Appl. No.: **29/131,930**

(22) Filed: **Oct. 31, 2000**

(30) **Foreign Application Priority Data**

May 11, 2000 (JP) 12-012362

(51) **LOC (7) Cl.** **08-08**

(52) **U.S. Cl.** **D8/397**

(58) **Field of Search** D8/397, 399; 411/172, 411/174, 175, 179, 184, 427, 429, 432, 533, 978, 190, 910, 330, 326, 205, 222

(56) **References Cited**

U.S. PATENT DOCUMENTS

D. 29,517 * 10/1898 Larew D8/399

OTHER PUBLICATIONS

TRW Brochure; Side 2; Spot Welded Nut, May 13, 1976.*
Machine Design—The Fasteners Book; p. 116, P-Nut, Sep. 29, 1960.*

* cited by examiner

Primary Examiner—B. J. Bullock

(74) *Attorney, Agent, or Firm*—Antonelli, Terry, Stout & Kraus, LLP

(57) **CLAIM**

The ornamental design for a clinch nut, as shown and described.

DESCRIPTION

FIG. 1 is a top plan view;
FIG. 2 is a front elevation;
FIG. 3 is a bottom plan view;
FIG. 4 is a right-side elevation;
FIG. 5 is a cross section taken along the line 5—5 in FIG. 1;
FIG. 6 is a downwards perspective view; and,
FIG. 7 is an upwards perspective view.

1 Claim, 3 Drawing Sheets

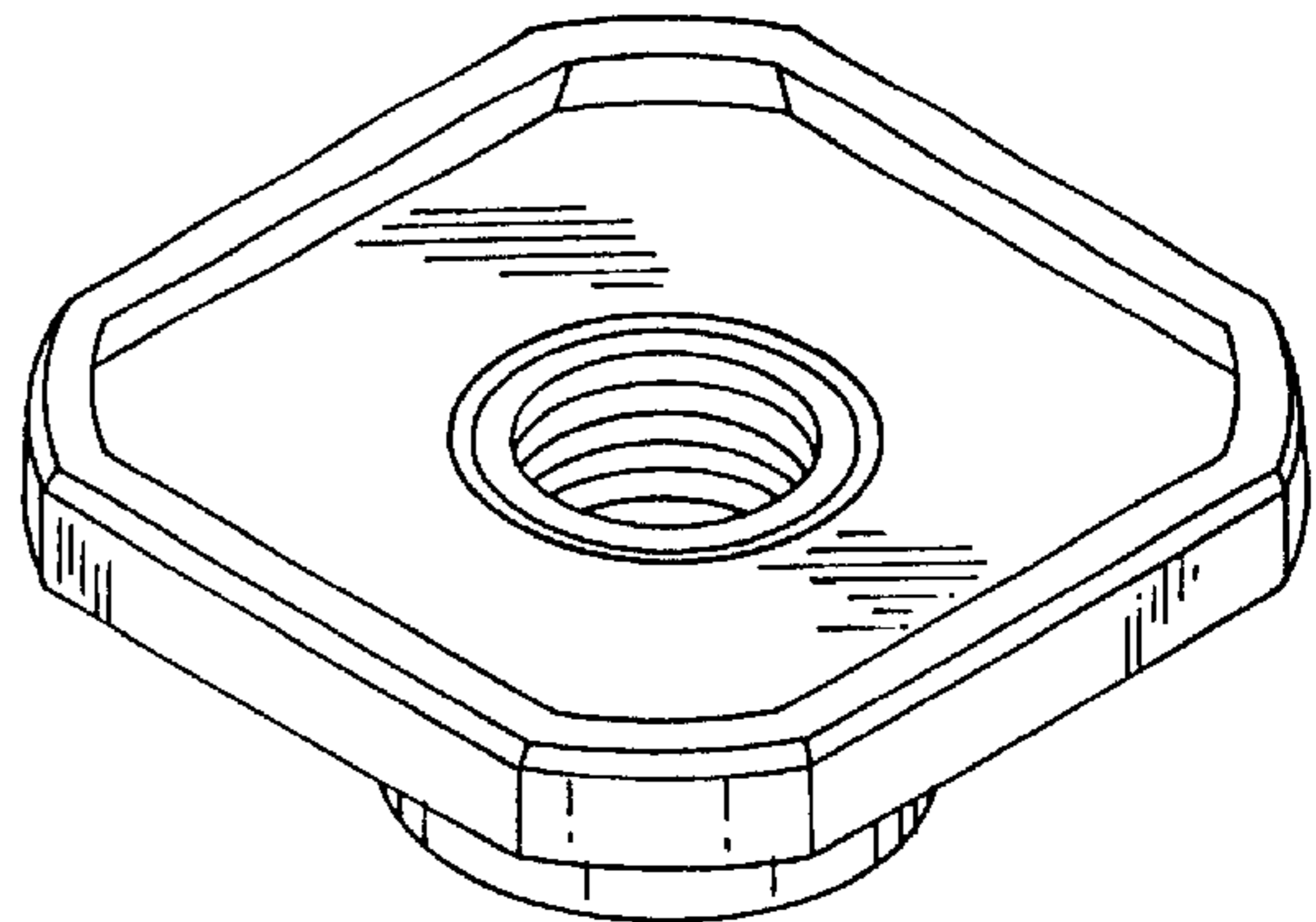
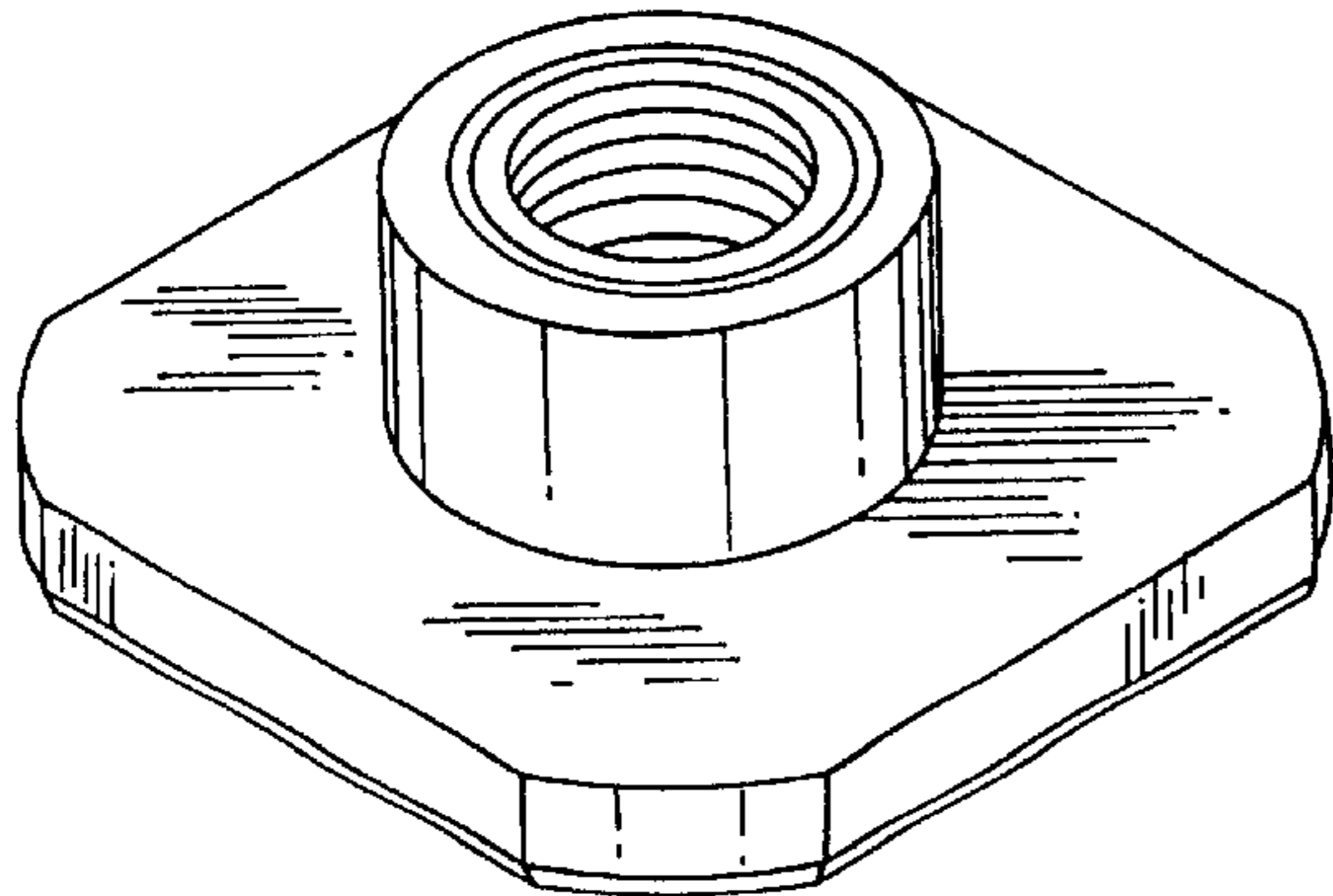


Fig. 1

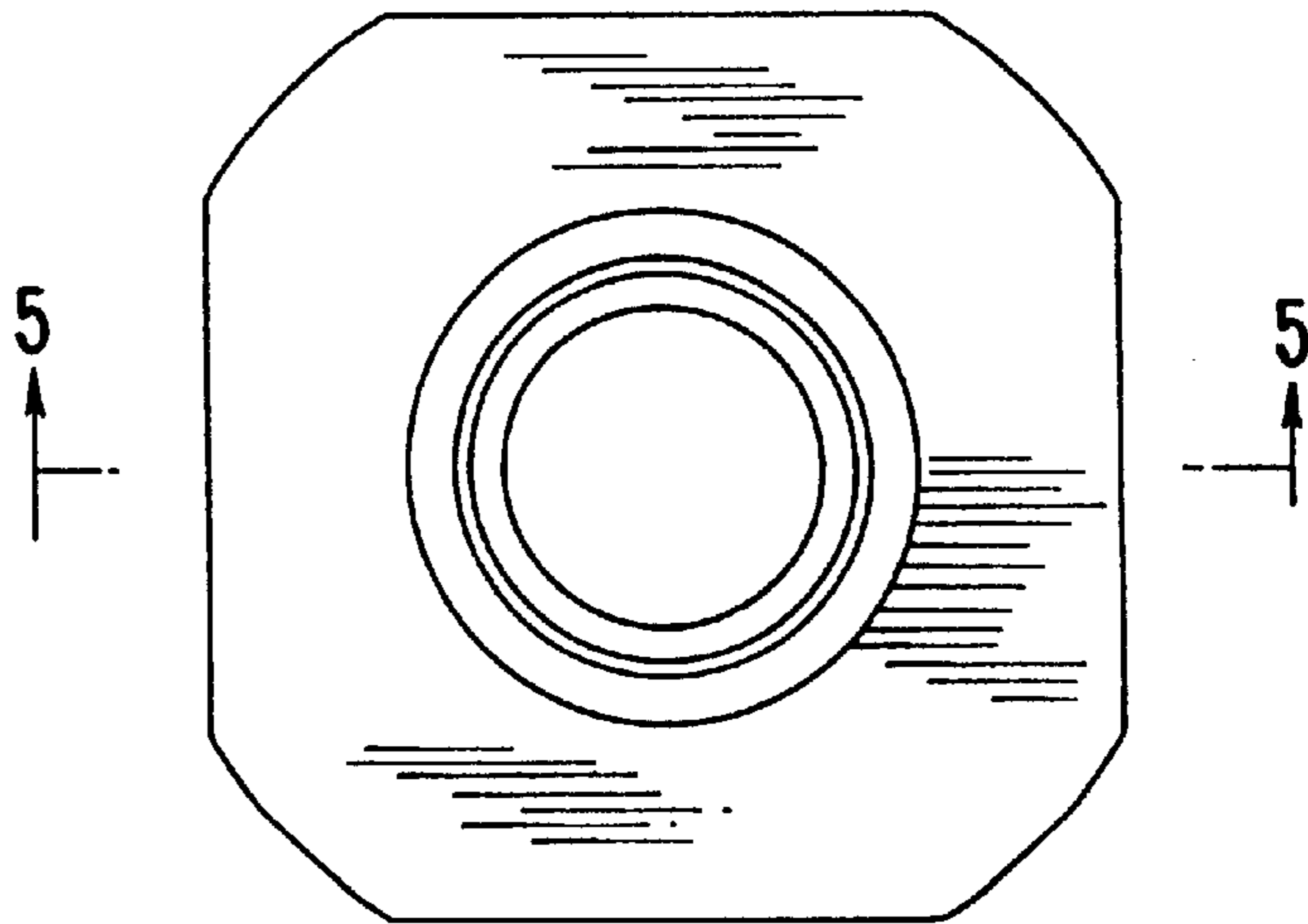


Fig. 2

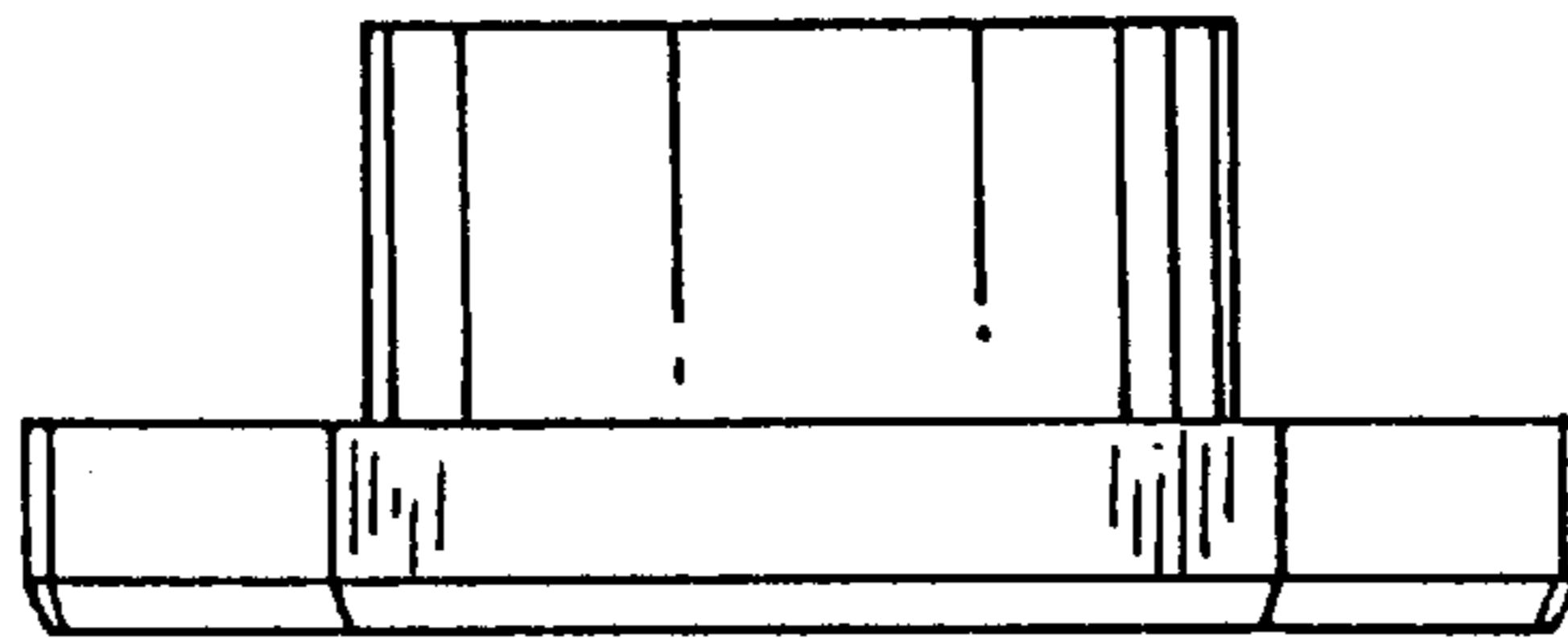


Fig. 3

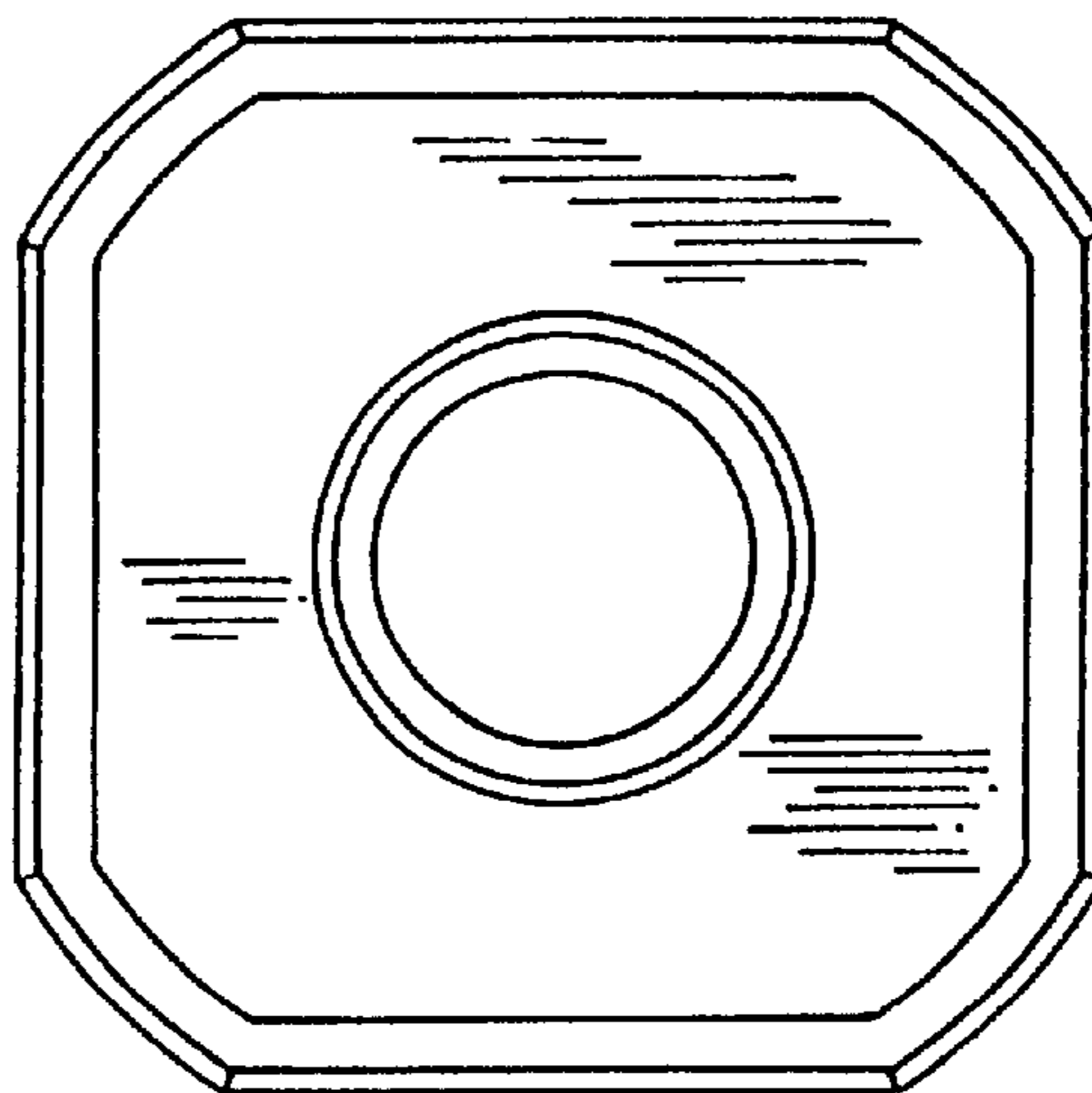


Fig. 4

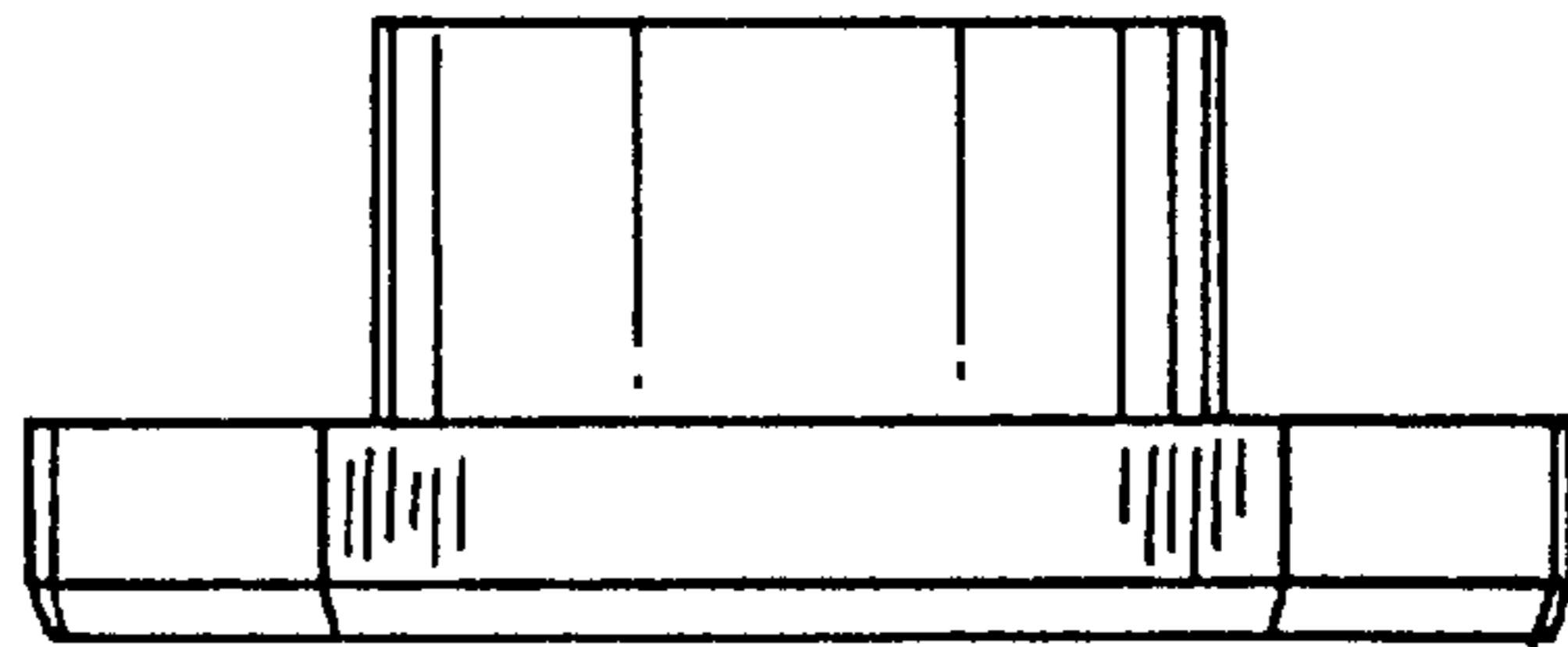


Fig. 5

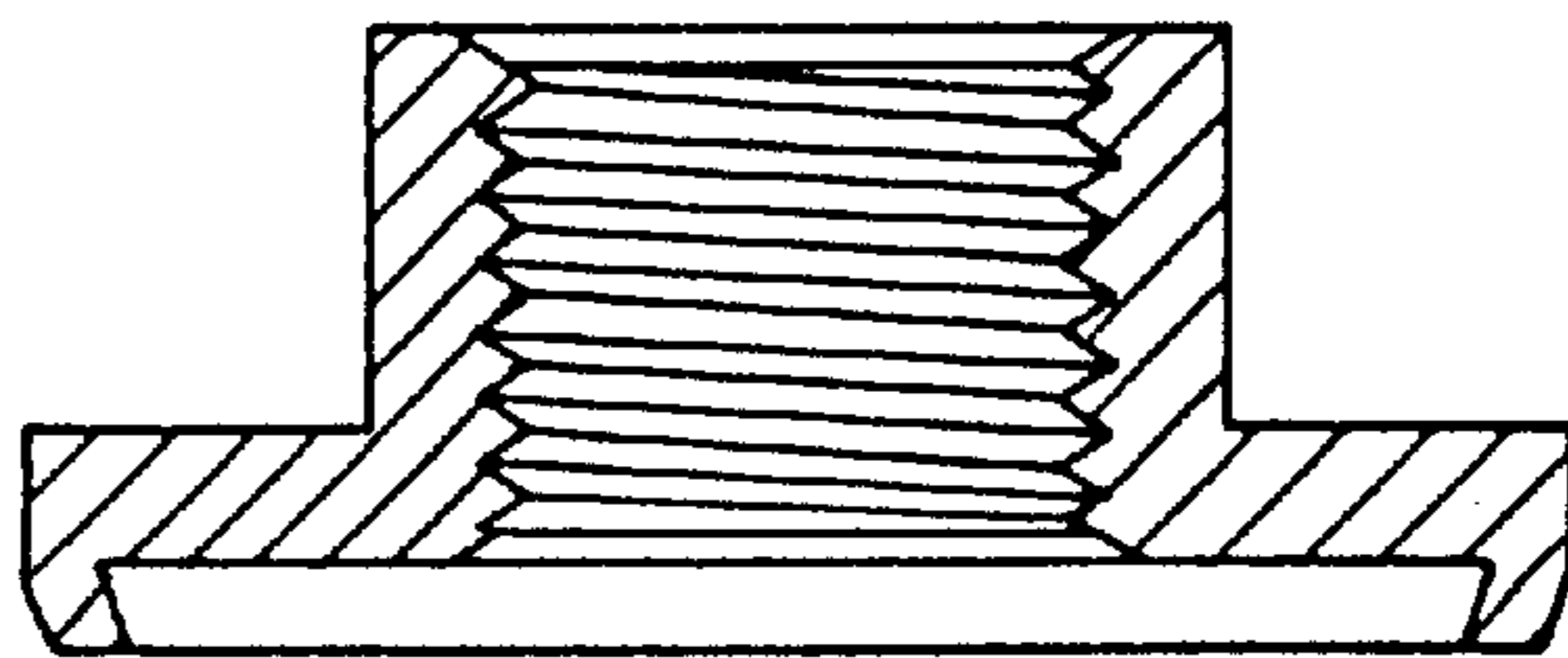


Fig. 6

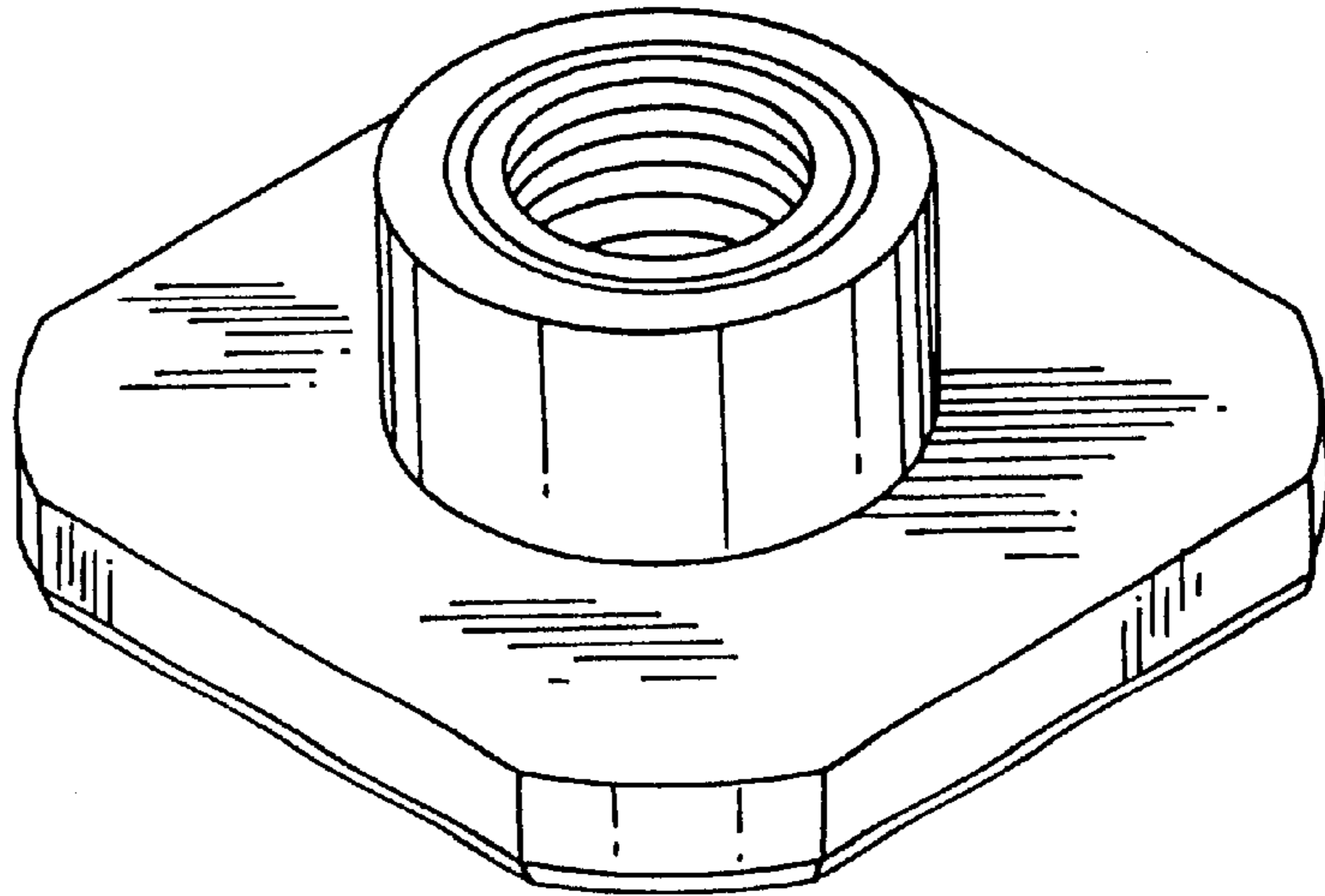


Fig. 7

