



US00D450233B1

(12) **United States Design Patent**
Ward

(10) **Patent No.:** **US D450,233 S**

(45) **Date of Patent:** **** Nov. 13, 2001**

(54) **QUICK RELEASE BRACKET**

DESCRIPTION

(76) Inventor: **Frank R. Ward**, 20910 NE. 156th St.,
Woodinville, WA (US) 98072

(**) Term: **14 Years**

(21) Appl. No.: **29/121,027**

(22) Filed: **Mar. 30, 2000**

(51) **LOC (7) Cl.** **08-05**

(52) **U.S. Cl.** **D8/373**

(58) **Field of Search** D8/363, 373; D29/126;
248/316.1, 154, 311.2, 313, 229.2, 229.26,
74.1; D32/54

A portion of the disclosure of this patent document contains material to which a claim for copyright is made. The copyright owner has no objection to the facsimile reproduction by anyone of the patent document or the patent disclosure, as it appears in the Patent and Trademark Office patent file or records, but reserves all other copyright rights whatsoever.

FIG. 1 is a top front right perspective view of my new design for a quick release bracket;

FIG. 2 is a top front left perspective view of the quick release bracket;

FIG. 3 is a right side elevational view of the quick release bracket;

FIG. 4 is a left side elevational view of the quick release bracket;

FIG. 5 is a top plan view of the quick release bracket; and,

FIG. 6 is a bottom plan view of the quick release bracket.

The broken lines showing the high pressure breathing air cylinder in the preceding figures are for illustrative purposes only and form no part of the claimed design.

(56) **References Cited**

U.S. PATENT DOCUMENTS

- D. 348,384 * 7/1994 Karsten D8/373
- D. 353,242 * 12/1994 McCoy, Sr. et al. D8/373
- 4,784,294 * 11/1988 Dickinson 248/316.1

* cited by examiner

Primary Examiner—Pamela Burgess

(74) *Attorney, Agent, or Firm*—Bruce A. Kaser

(57) **CLAIM**

The ornamental design for a quick release bracket, as shown and described.

1 Claim, 5 Drawing Sheets

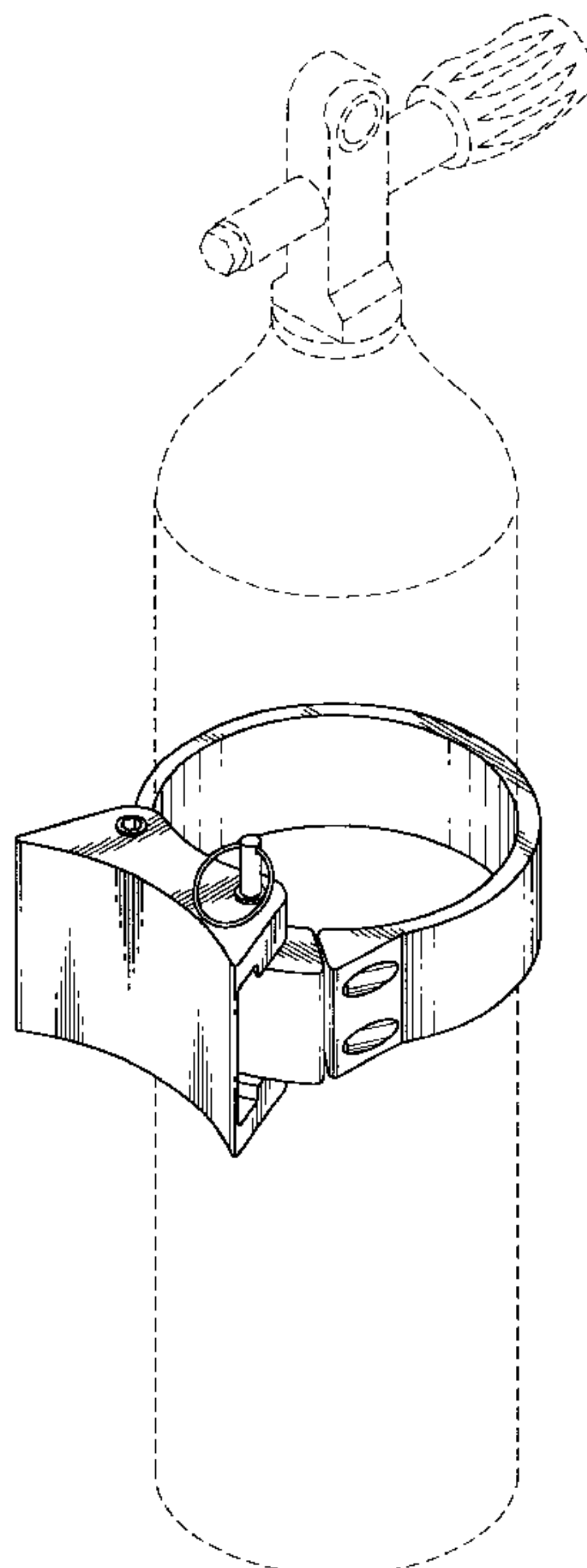
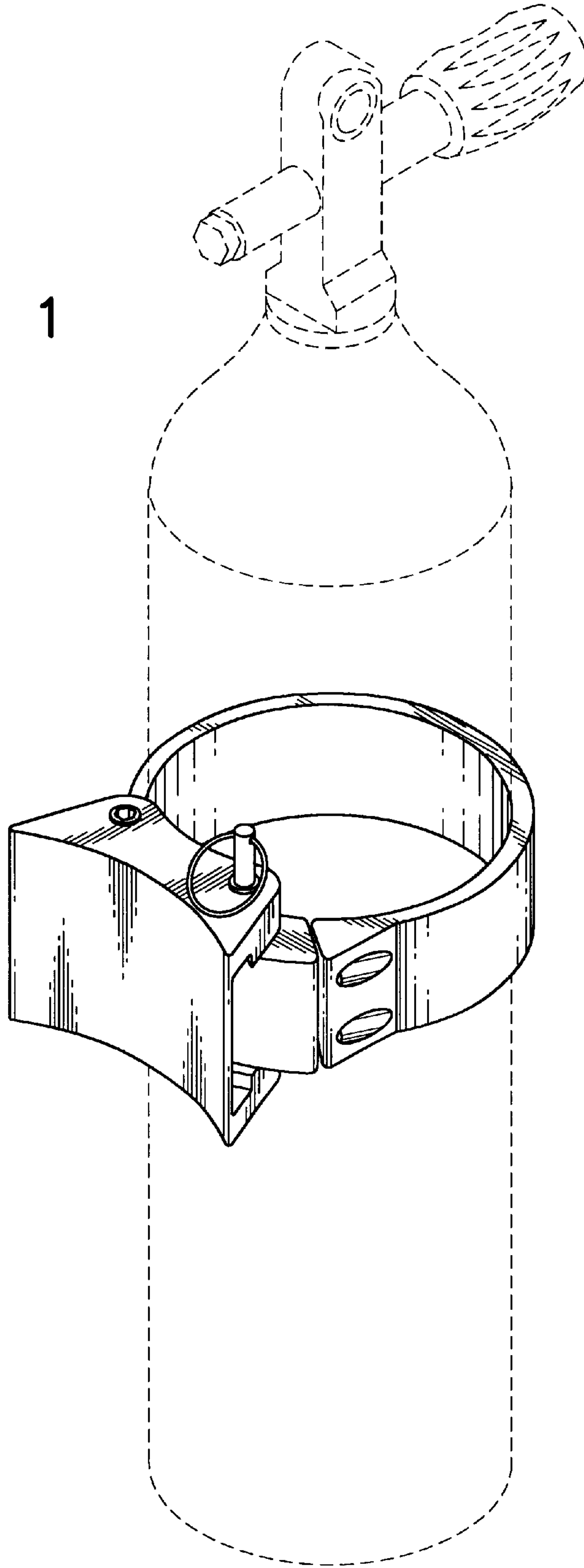


FIG. 1



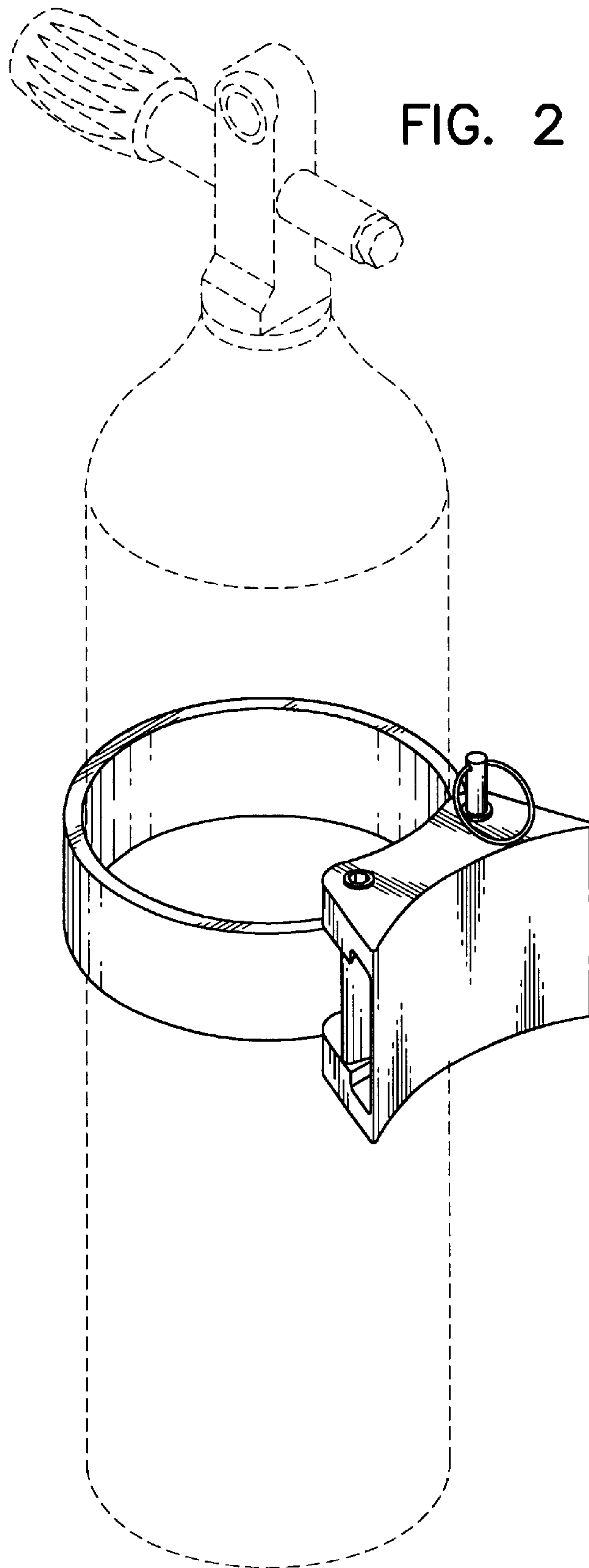


FIG. 3

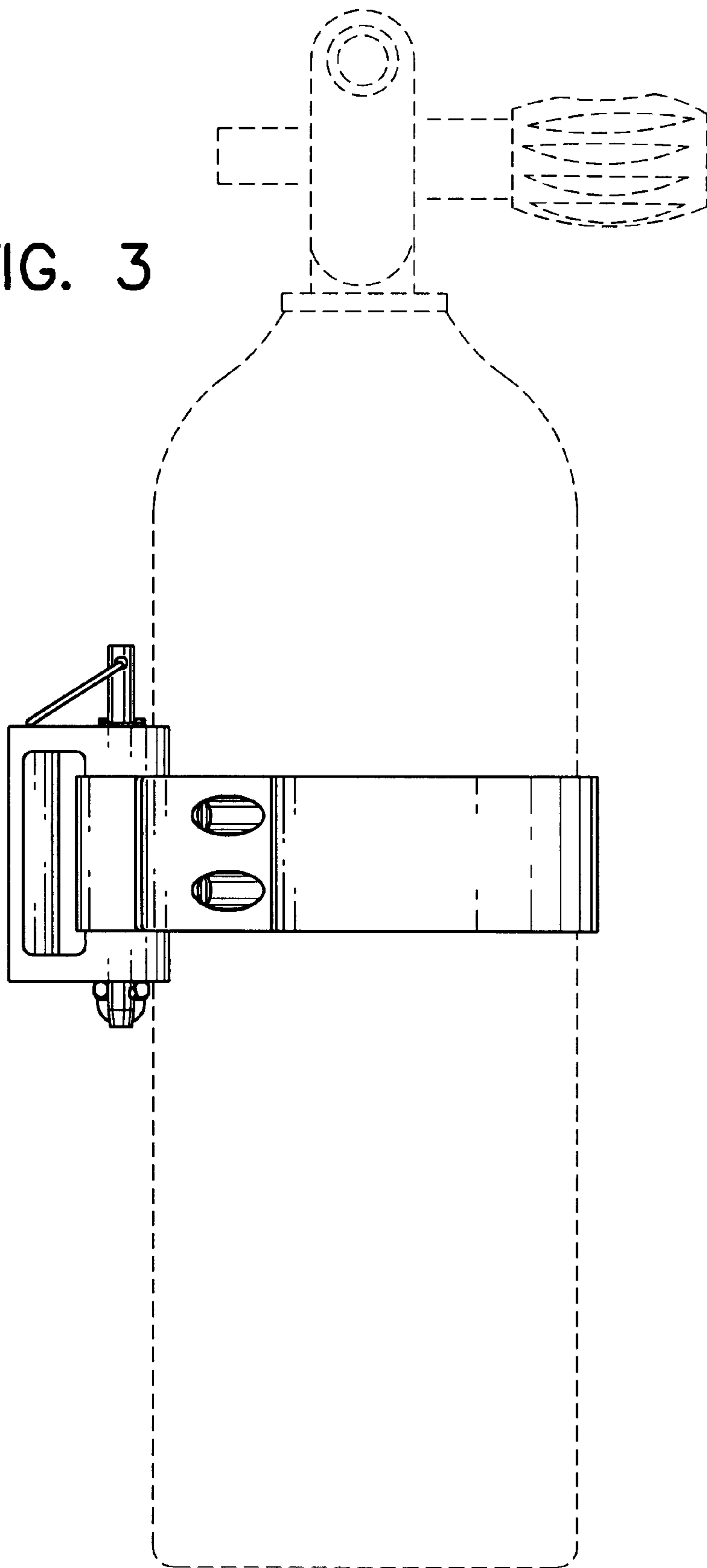


FIG. 4

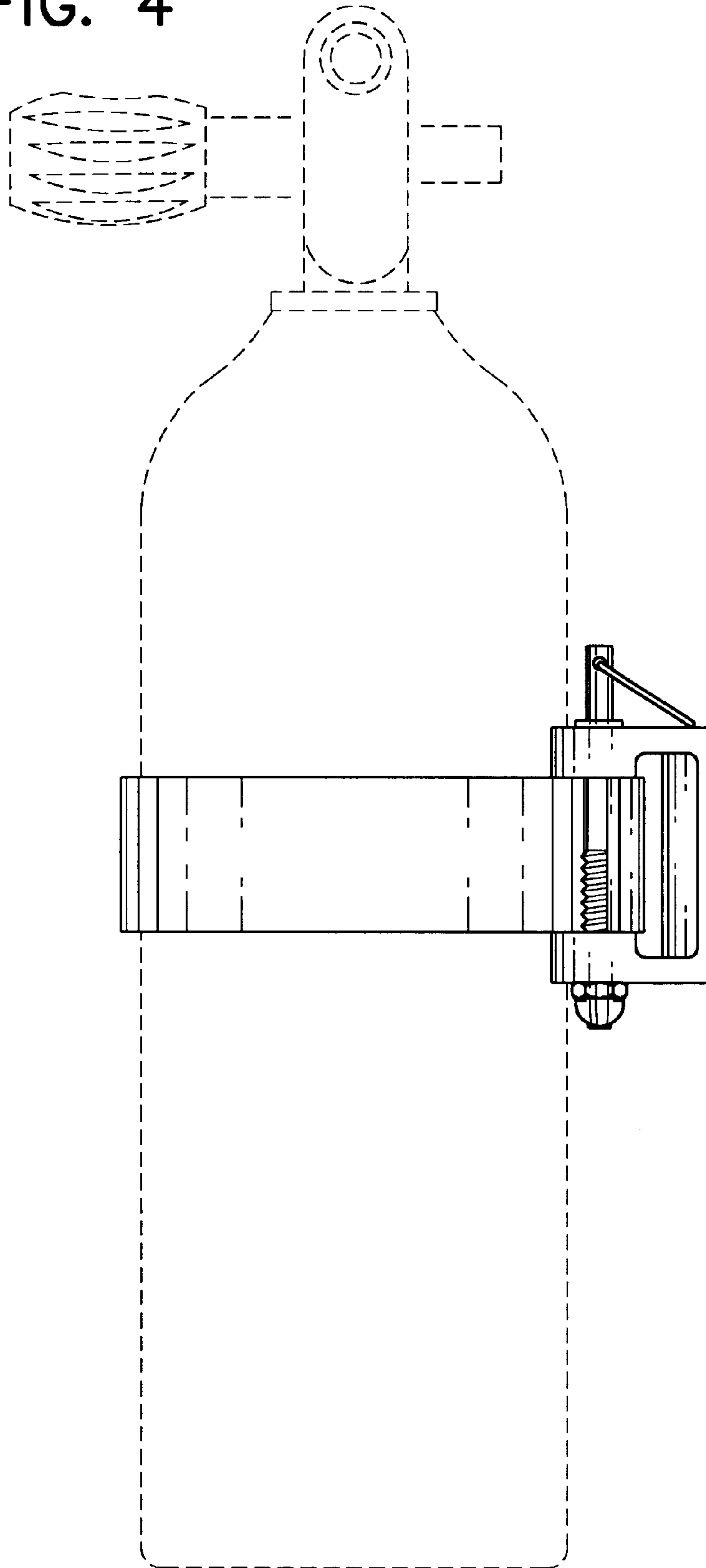


FIG. 5

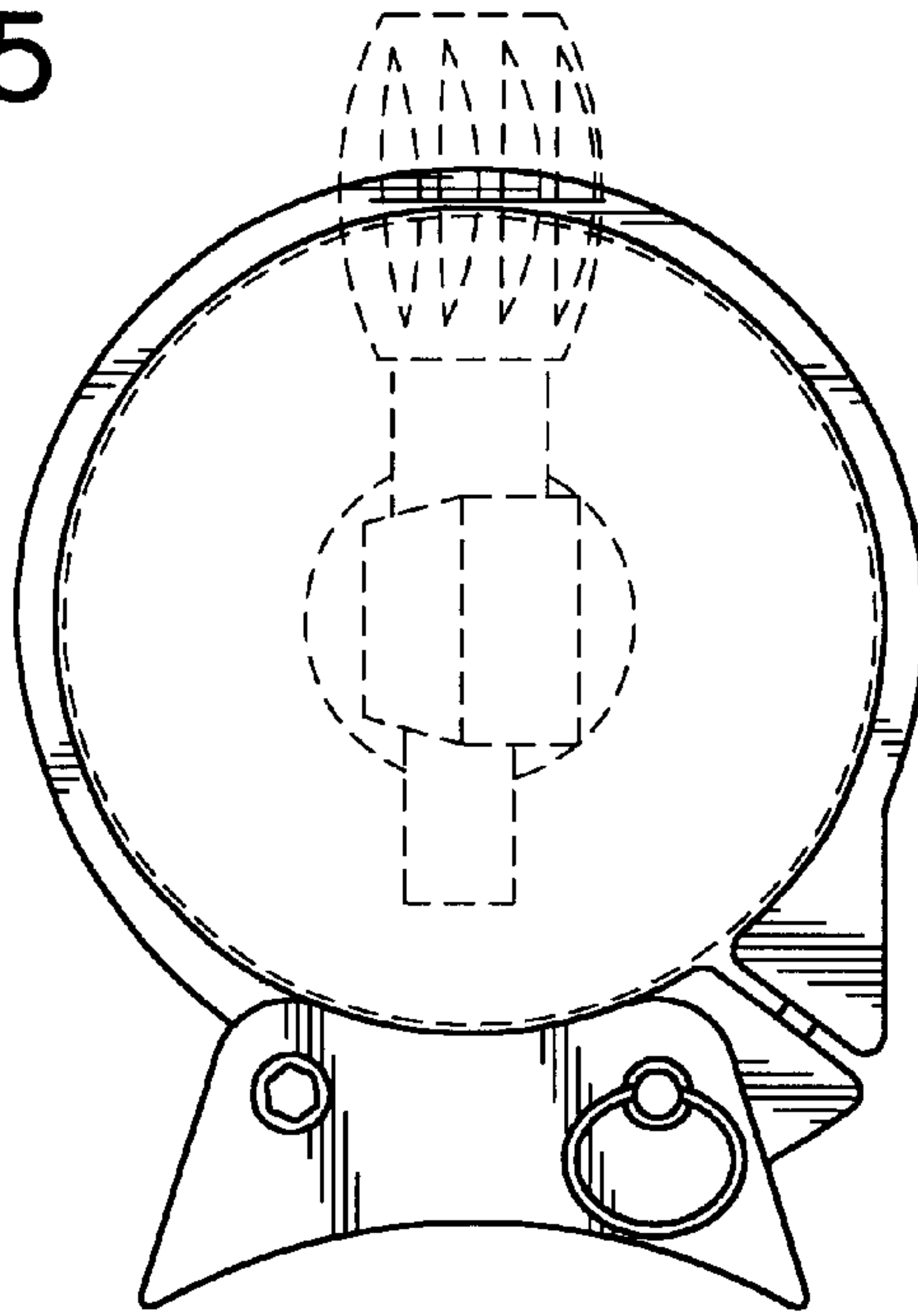


FIG. 6

