



US00D450231B1

(12) **United States Design Patent**  
**Niswanger**

(10) **Patent No.:** **US D450,231 S**

(45) **Date of Patent:** **\*\* Nov. 13, 2001**

(54) **LOCK FOR GOOSENECK TRAILER**

(75) Inventor: **Raymond A. Niswanger**, Granbury, TX (US)

(73) Assignee: **Blaylock Trailer Products, Inc.**, Fort Worth, TX (US)

(\*\*) Term: **14 Years**

(21) Appl. No.: **29/134,341**

(22) Filed: **Dec. 19, 2000**

(51) **LOC (7) Cl.** ..... **08-07**

(52) **U.S. Cl.** ..... **D8/330**

(58) **Field of Search** ..... D12/162, 400; D8/330, 331; 70/14, 232; 280/186, 507

(56) **References Cited**

**U.S. PATENT DOCUMENTS**

D. 254,121	*	2/1980	Padgett, Jr.	.....	D8/331
D. 355,630	*	2/1995	Liland et al.	.....	D12/162
D. 402,602		12/1998	Niswanger	.....	D12/162
D. 417,133		11/1999	Niswanger	.....	D8/331
D. 420,632	*	2/2000	Bills	.....	D12/162
D. 436,064		1/2001	Niswanger	.....	D12/162
5,794,961		8/1998	Niswanger	.....	280/507

\* cited by examiner

*Primary Examiner*—Jennifer Rivard  
(74) *Attorney, Agent, or Firm*—Bracewell & Patterson, L.L.P.

(57) **CLAIM**

The ornamental design for a lock for gooseneck trailer, as shown and described.

**DESCRIPTION**

FIG. 1 is a perspective view of the lock for gooseneck trailer of the present invention.

FIG. 2 is a rear view of the lock for gooseneck trailer of FIG. 1.

FIG. 3 is a front view of the lock for gooseneck trailer of FIG. 1.

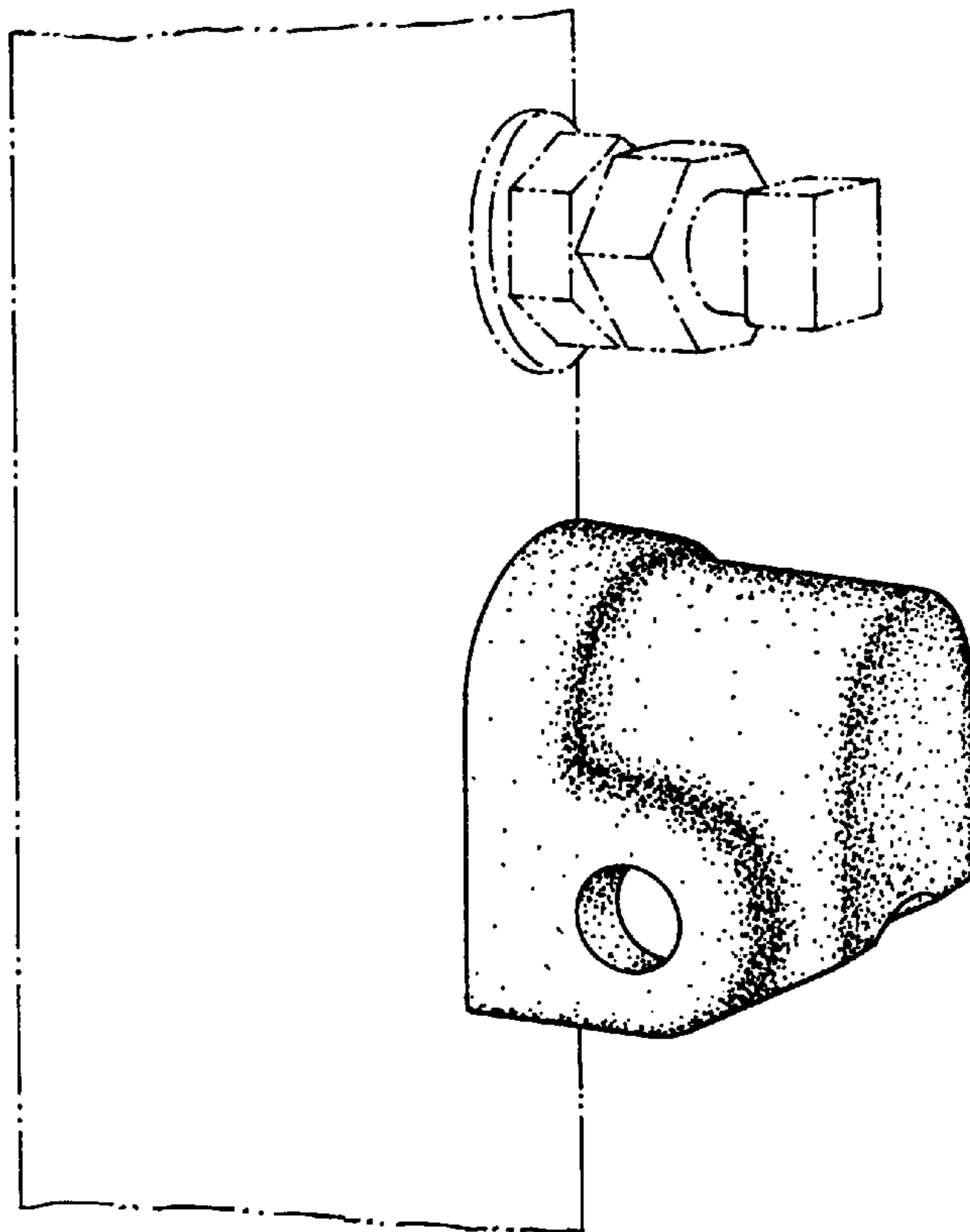
FIG. 4 is a bottom view of the lock for gooseneck trailer of FIG. 1.

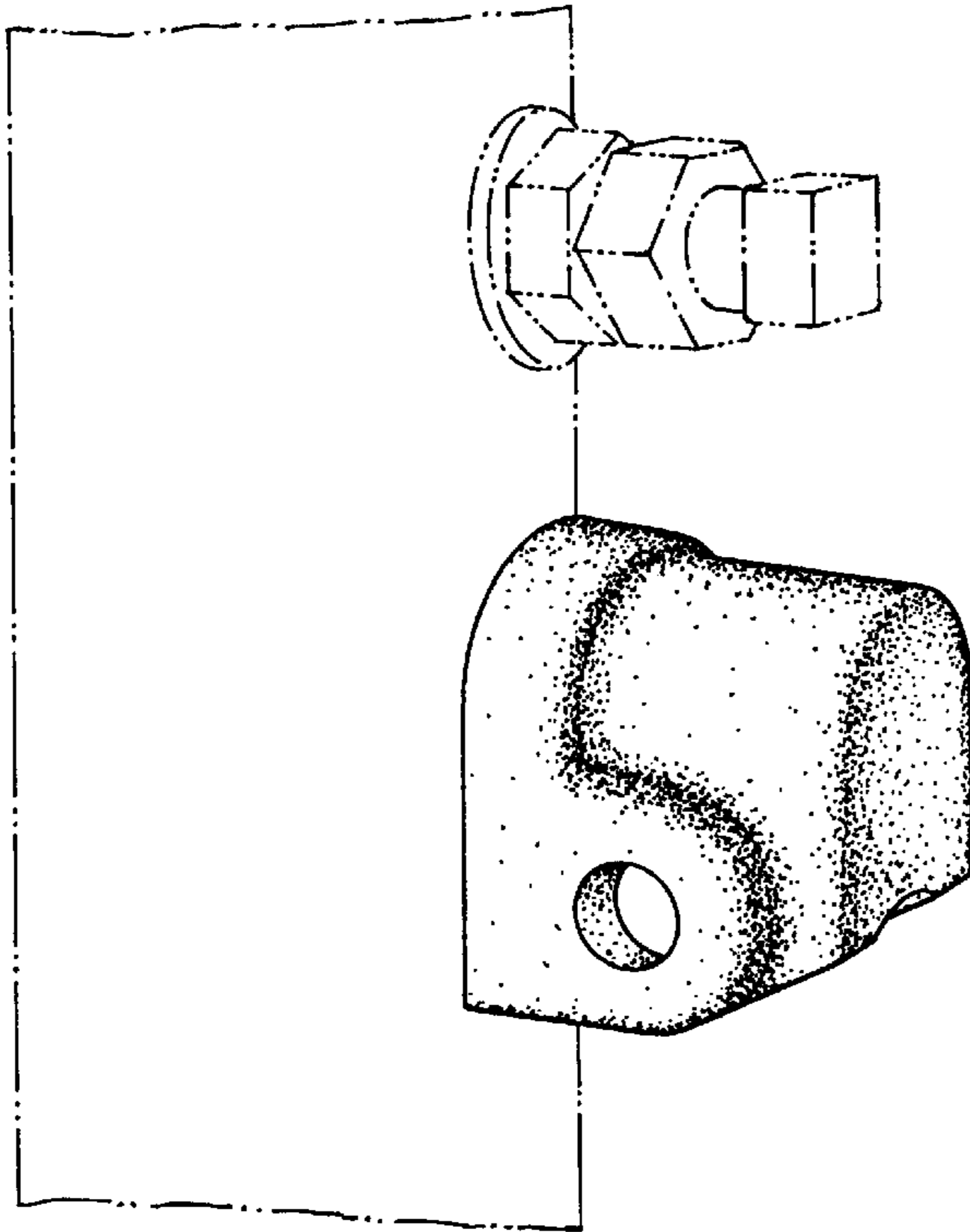
FIG. 5 is a top view of the lock for gooseneck trailer of FIG. 1; and,

FIG. 6 is a left-side view of the lock for gooseneck trailer of FIG. 1.

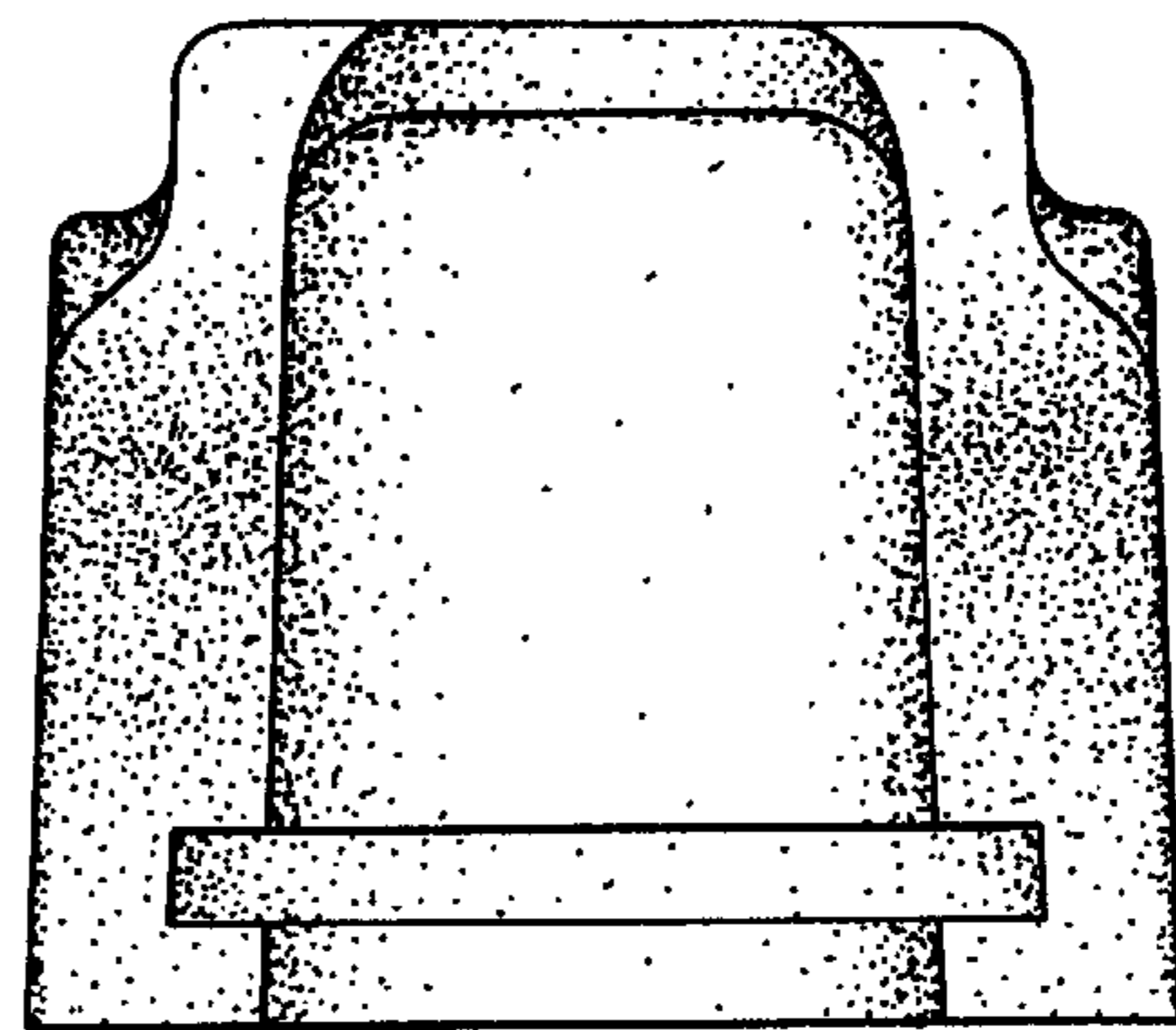
The broken lines in all views are for illustrative purposes only and form no part of the claimed design.

**1 Claim, 2 Drawing Sheets**

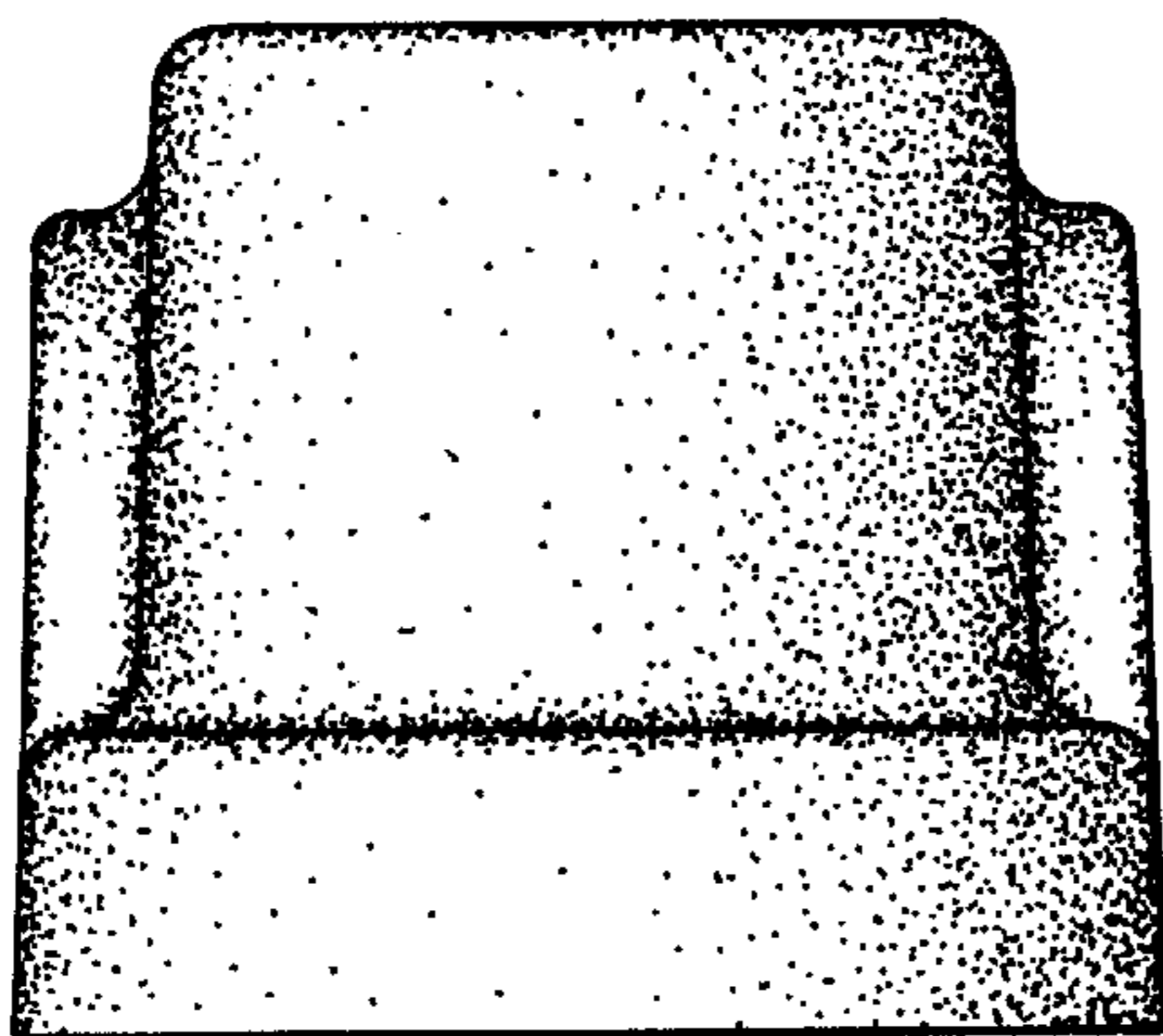




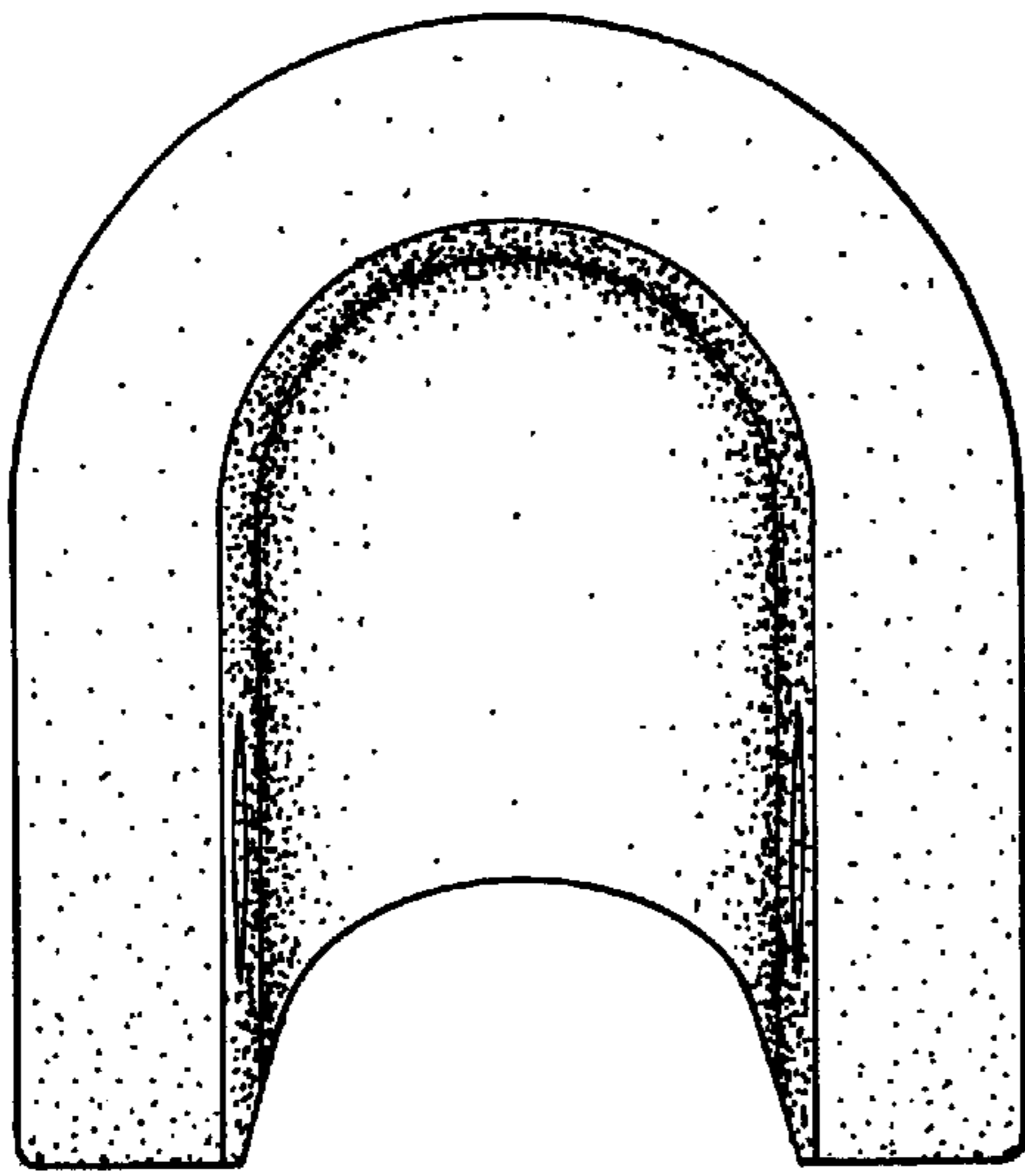
*Fig. 1*



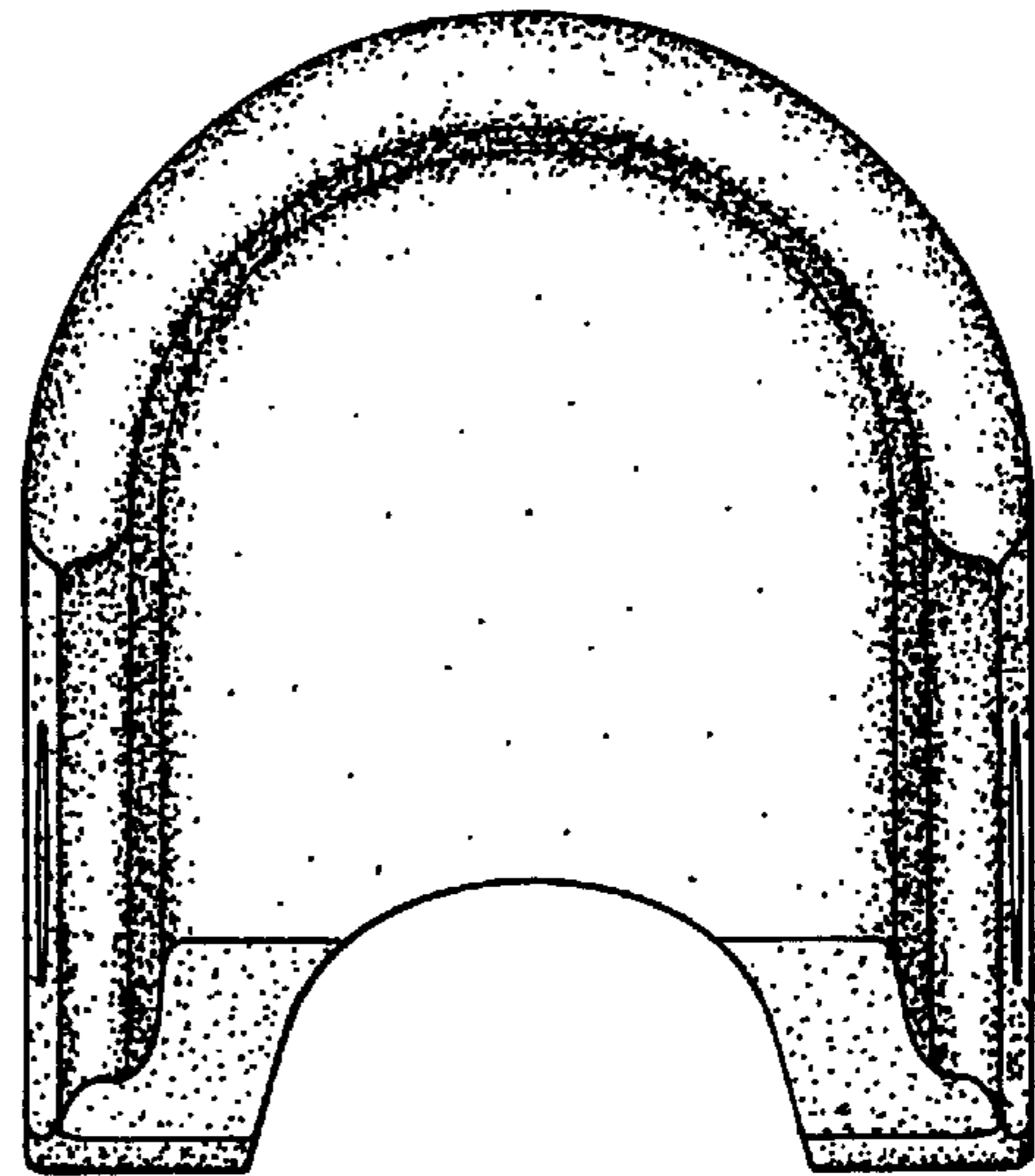
*Fig. 2*



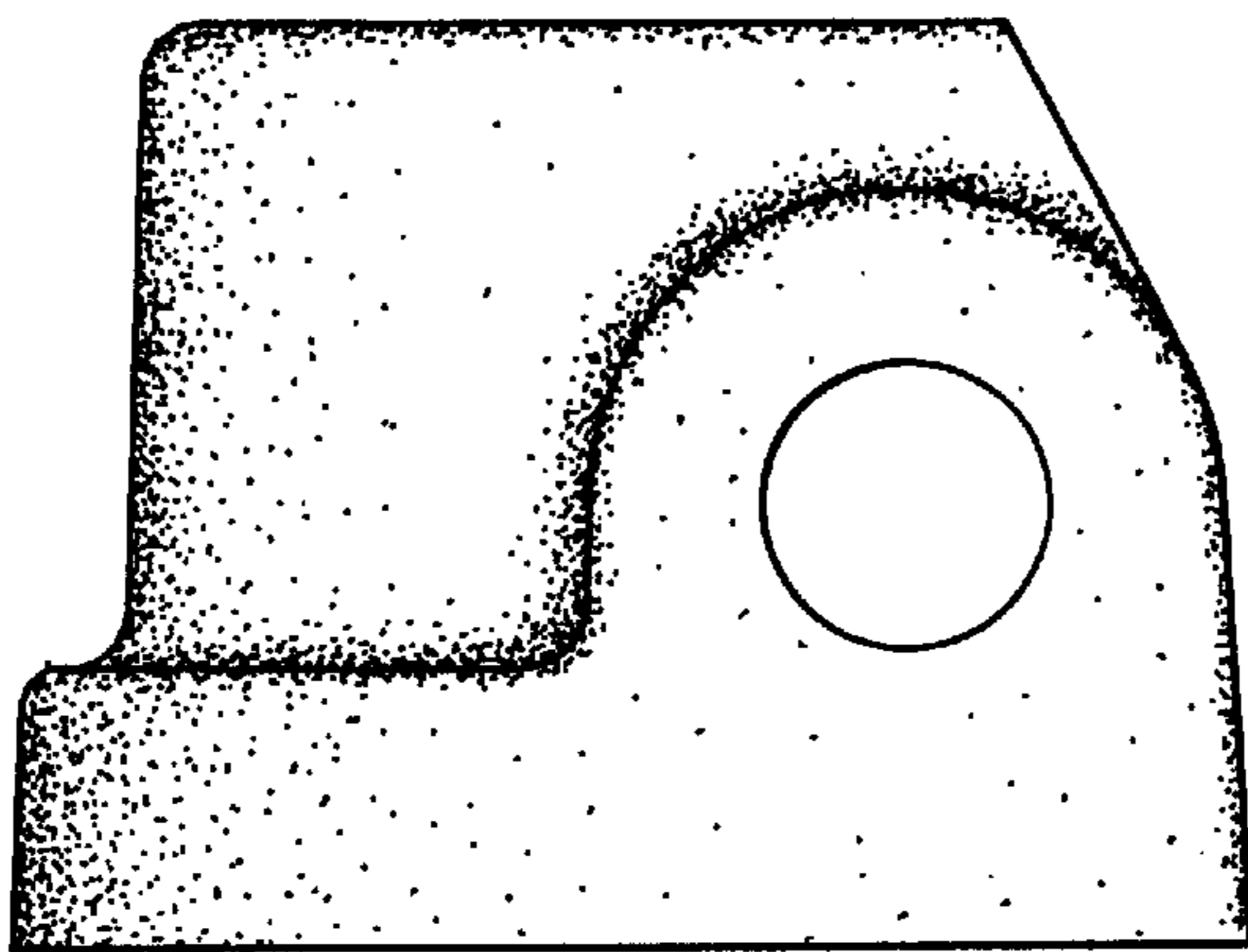
*Fig. 3*



*Fig. 4*



*Fig. 5*



*Fig. 6*