



US00D450230B1

(12) **United States Design Patent**
Long et al.

(10) **Patent No.:** **US D450,230 S**

(45) **Date of Patent:** **** Nov. 13, 2001**

- (54) **PAIR OF ERGONOMIC ROUTER HANDLES**
- (75) Inventors: **Charles Keith Long**, Seneca; **Norman Hugh Bouwhuis**, Easley; **James Morgan**, Liberty; **Kenneth M. Brazell**, Piedmont, all of SC (US)
- (73) Assignee: **One World Technologies, Inc.**, Anderson, SC (US)
- (**) Term: **14 Years**
- (21) Appl. No.: **29/136,298**
- (22) Filed: **Jan. 29, 2001**
- (51) **LOC (7) Cl.** **08-03**
- (52) **U.S. Cl.** **D8/107; D8/61; D8/67**
- (58) **Field of Search** **D8/107, DIG. 7, D8/61, 67; 409/182; 144/134, 136 C, 154.5, 134.1, 136.1**

5,191,921	3/1993	McCurry .
5,191,968	3/1993	McCurry .
5,207,253	5/1993	Hoshino et al. .
5,310,296	5/1994	McCurry .
5,353,852	10/1994	Stolzer et al. .
5,570,776	11/1996	Buchholz et al. .
5,584,620	12/1996	Blickhan et al. .
5,590,988	1/1997	Rusconi .
5,613,813	3/1997	Winchester et al. .
5,662,440	9/1997	Kikuchi et al. .
5,671,789	9/1997	Stolzer et al. .
5,725,038	3/1998	Tucker et al. .
5,853,273	12/1998	Coffey .
5,853,274	12/1998	Coffey et al. .
5,921,730	7/1999	Young et al. .
5,988,241	11/1999	Bosten et al. .
5,998,897	12/1999	Bosten et al. .
6,024,144	2/2000	Qian .
6,065,912	5/2000	Bosten et al. .
6,079,915	6/2000	Bosten et al. .

* cited by examiner

Primary Examiner—Alan P. Douglas

Assistant Examiner—Clare E. Heflin

(74) *Attorney, Agent, or Firm*—Brooks & Kushman P.C.

(56) **References Cited**

U.S. PATENT DOCUMENTS

D. 281,218	11/1985	Barrett et al. .
D. 286,131	10/1986	Yamamoto .
D. 286,132	10/1986	Yamamoto .
D. 307,104	4/1990	Monobe et al. .
D. 320,729	* 10/1991	Zurwelle D8/66
D. 340,174	10/1993	Hoshino et al. .
D. 341,305	11/1993	Svetlik .
D. 349,637	8/1994	Hoshino et al. .
D. 416,460	11/1999	Bosten et al. .
D. 418,037	* 12/1999	Zeiler et al. D8/107
D. 438,086	* 2/2001	Ahlund D8/99
3,767,948	* 10/1973	Batson 310/50
4,410,022	* 10/1983	Peterson 144/48.6
4,562,872	* 1/1986	Fushiya et al. 144/136.95
4,770,573	9/1988	Monobe .
4,938,642	* 7/1990	Imahashi et al. 409/182
5,074,724	12/1991	McCracken .
5,088,865	2/1992	Beth et al. .
5,143,494	9/1992	McCurry .

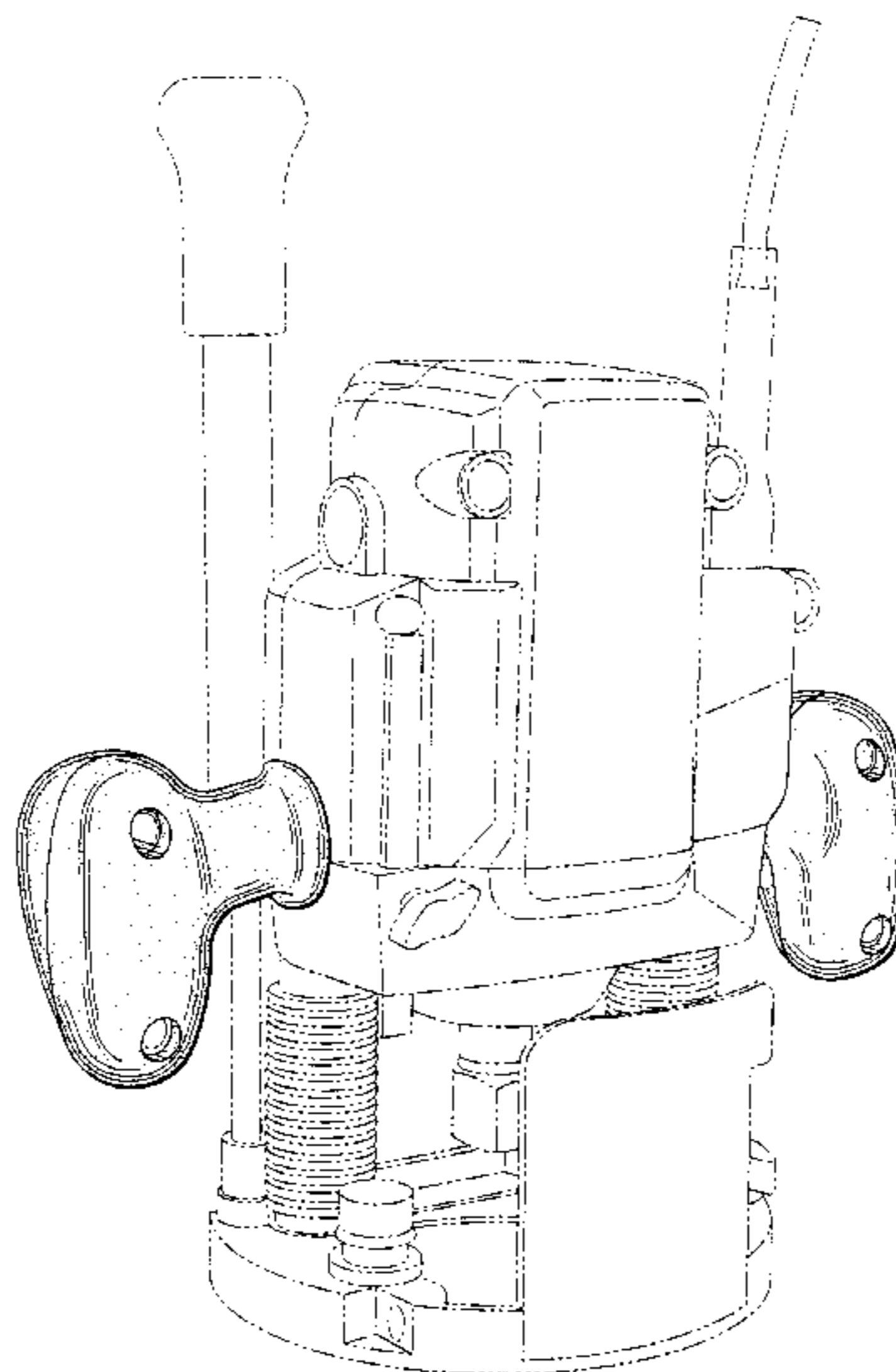
(57) **CLAIM**

The ornamental design for a pair of ergonomic router handles, as shown and described.

DESCRIPTION

FIG. 1 is a perspective view of the pair of ergonomic router handles of the present invention;
 FIG. 2 is a front elevational view thereof;
 FIG. 3 is a back elevational view thereof;
 FIG. 4 is a right side elevational view thereof;
 FIG. 5 is a top plan view thereof; and,
 FIG. 6 is a bottom plan view thereof.
 The broken line showing of the router is for illustrative purposes only and forms no part of the claimed design.

1 Claim, 5 Drawing Sheets



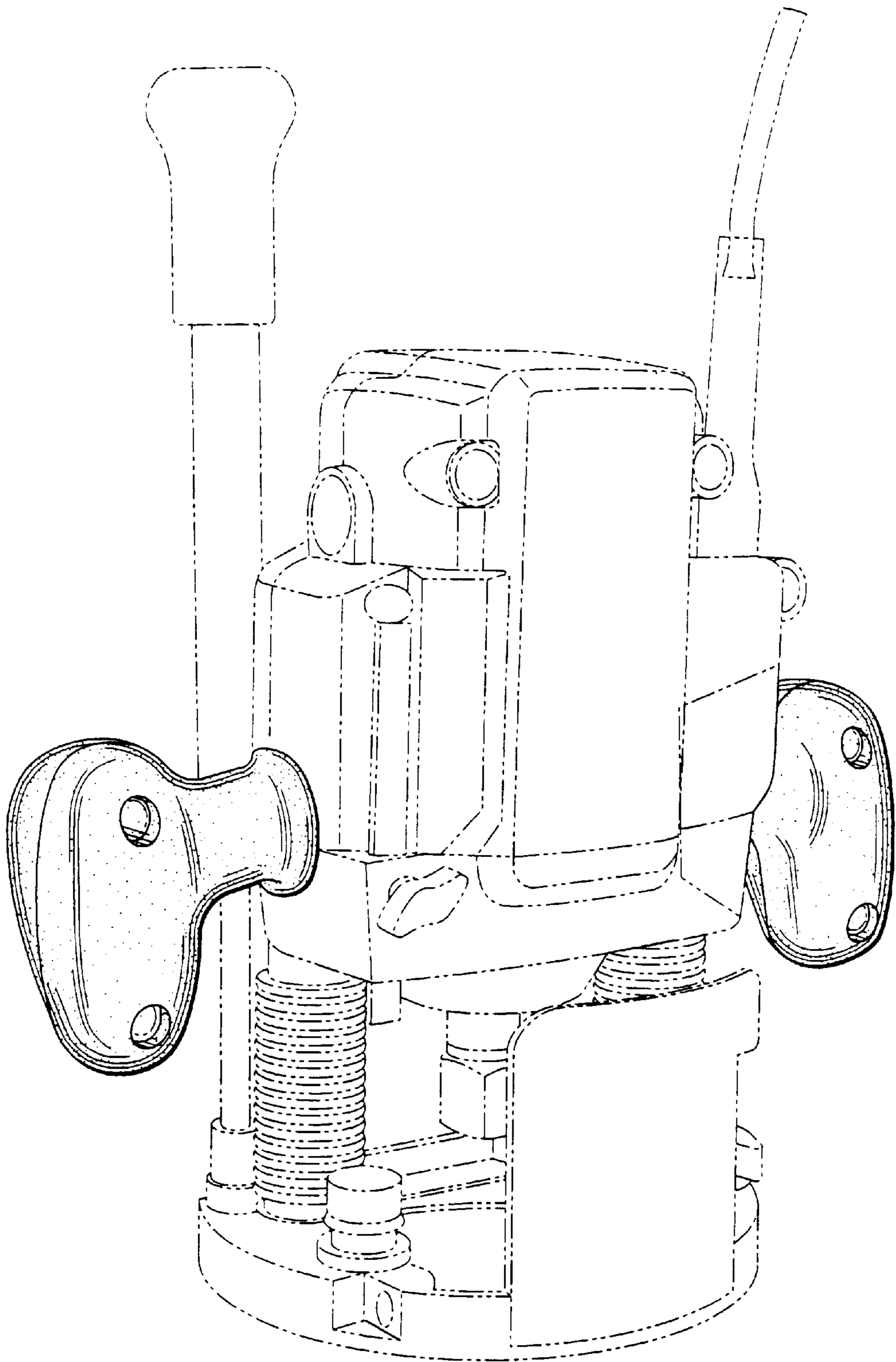


Fig. 1

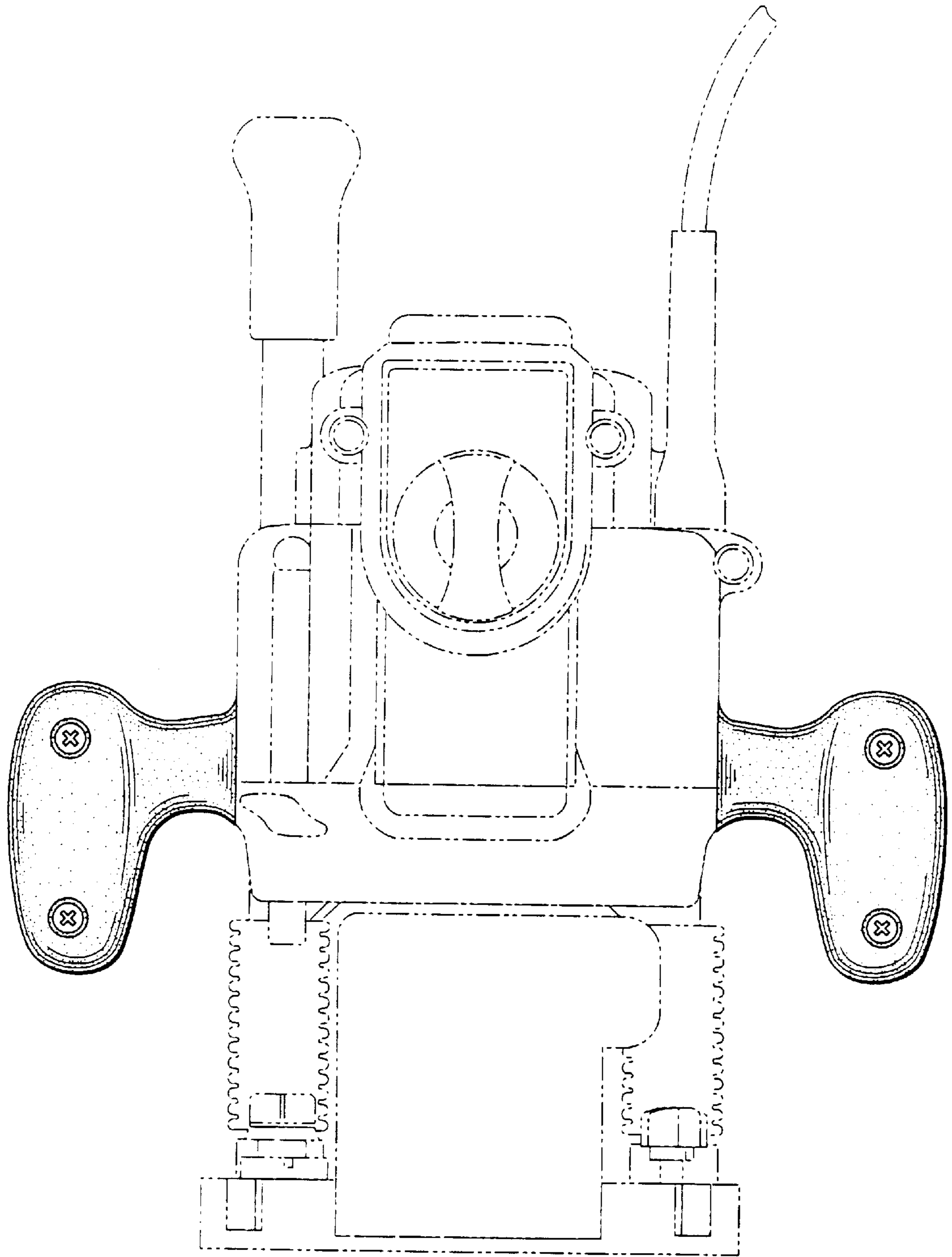


Fig. 2

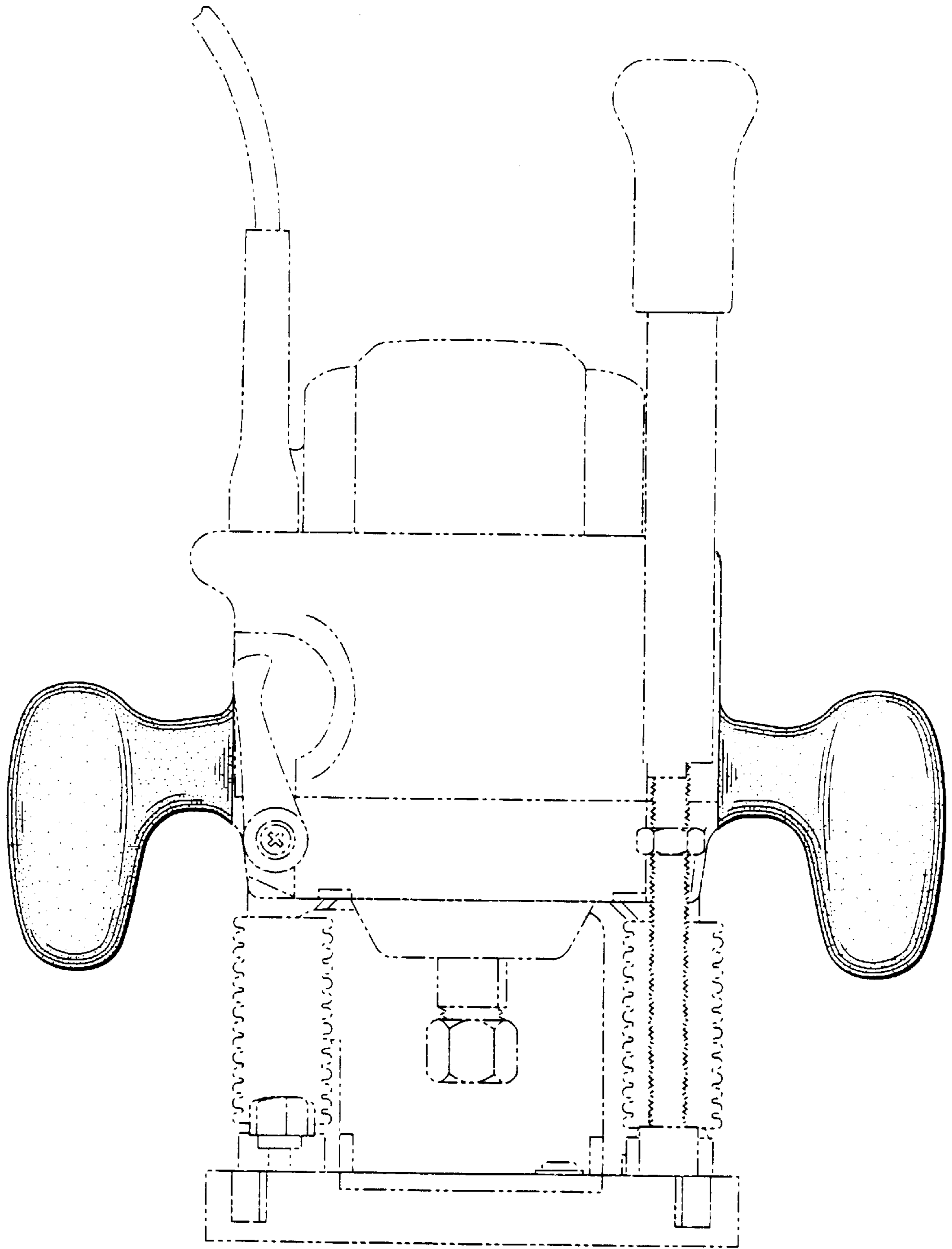


Fig. 3

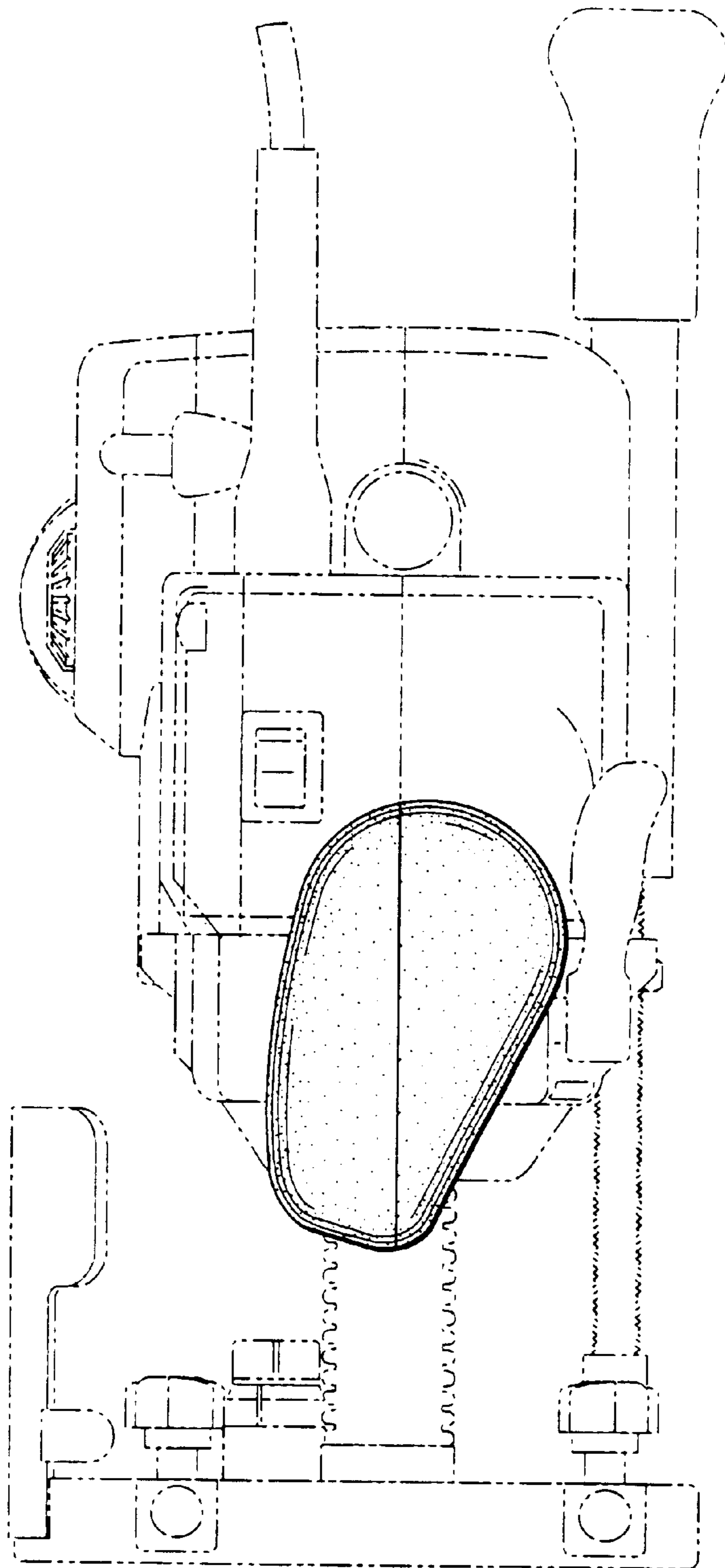


Fig. 4

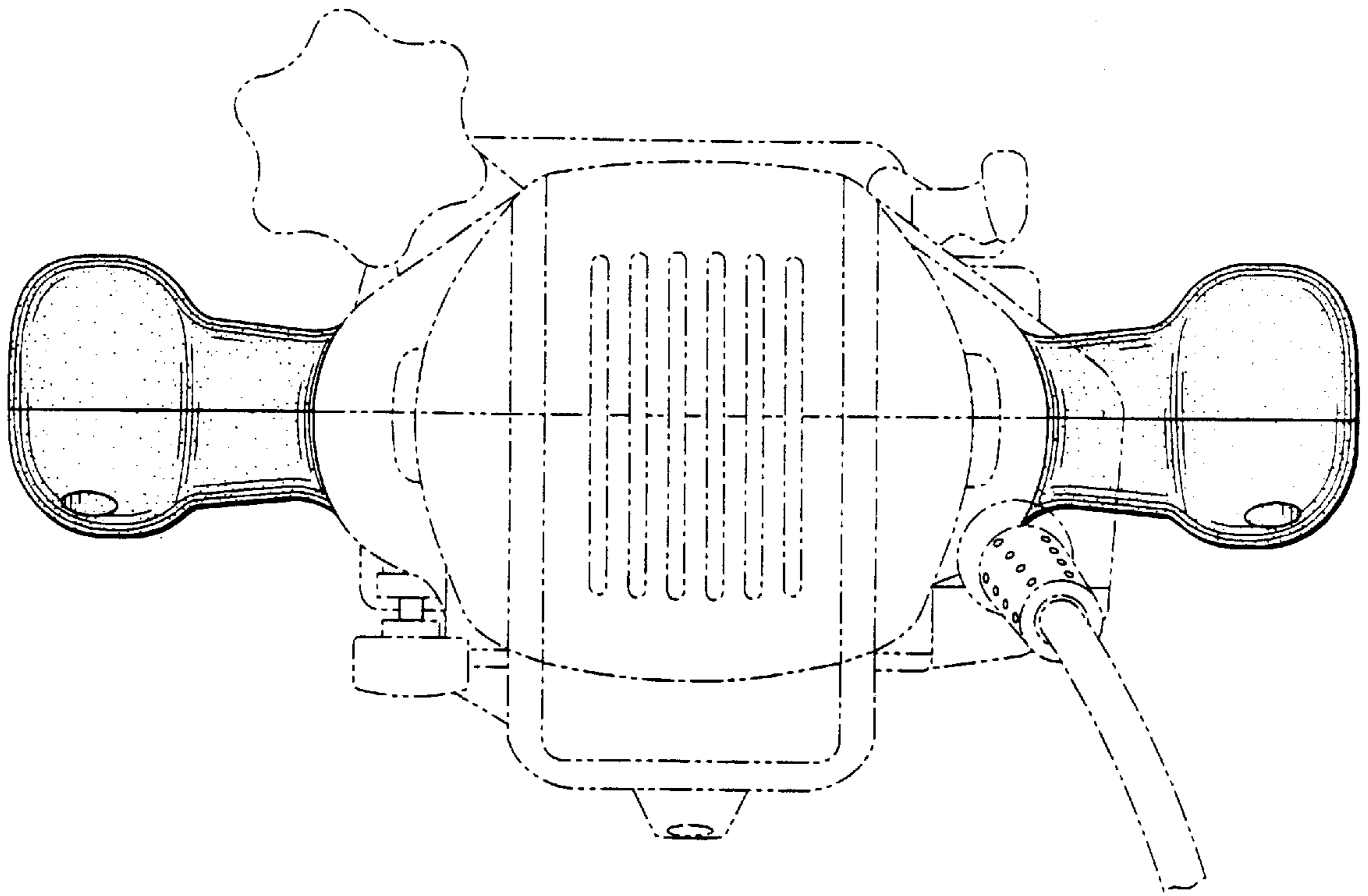


Fig. 5

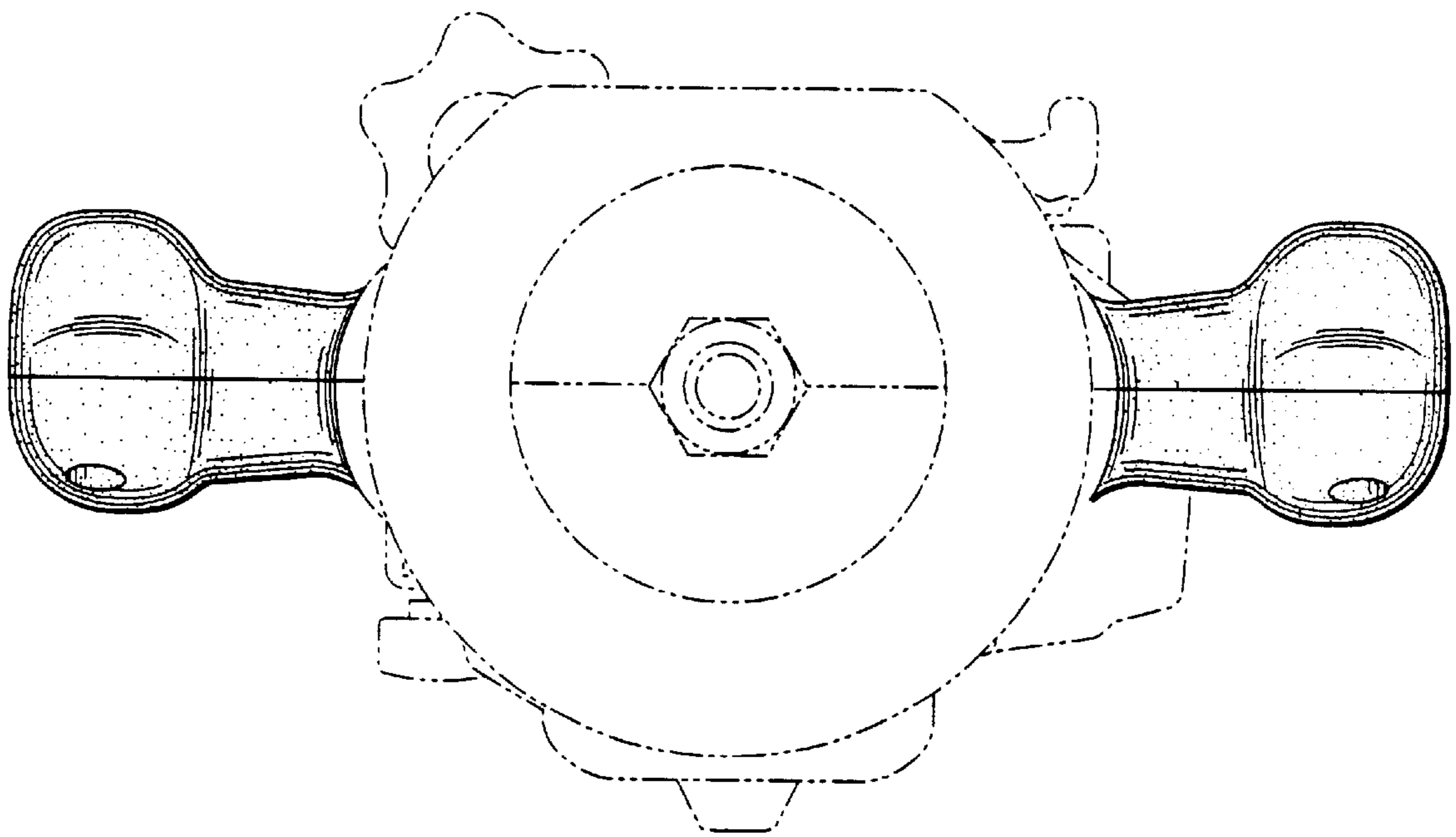


Fig. 6