



US00D450227B1

(12) **United States Design Patent**  
**Fallandy**

(10) **Patent No.:** **US D450,227 S**

(45) **Date of Patent:** **\*\* Nov. 13, 2001**

(54) **REVERSIBLE WIRE TERMINATION BLADE**

4,334,446 \* 6/1982 Field ..... D15/140 X  
5,957,633 \* 9/1999 Hall ..... 20/113 X

(75) Inventor: **Michael M. Fallandy**, Ventura, CA  
(US)

\* cited by examiner

(73) Assignee: **Harris Corporation**, Melbourne, FL  
(US)

*Primary Examiner*—Nanda Bondade

(74) *Attorney, Agent, or Firm*—Harry M. Fleck

(\*\*) Term: **14 Years**

(57) **CLAIM**

The ornamental design for a reversible wire termination blade, as shown.

(21) Appl. No.: **29/112,539**

(22) Filed: **Oct. 19, 1999**

**DESCRIPTION**

(51) **LOC (7) Cl.** ..... **08-03**

(52) **U.S. Cl.** ..... **D8/99**

(58) **Field of Search** ..... D8/14, 51, 98,  
D8/99; D15/140; 30/90.1, 90.4, 90.6–90.9,  
91.1, 91.2; 81/9.4, 9.41, 9.44; 407/35, 40,  
50, 54, 109, 110, 113

FIG. 1 perspective view of the reversible blade of the present invention, looking toward the top and right sides;

FIG. 2 is an elevational view of the right side;

FIG. 3 is an elevational view of the left side;

FIG. 4 is a top plan view;

FIG. 5 is a bottom plan view;

FIG. 6 is an elevational view of the front-end; and,

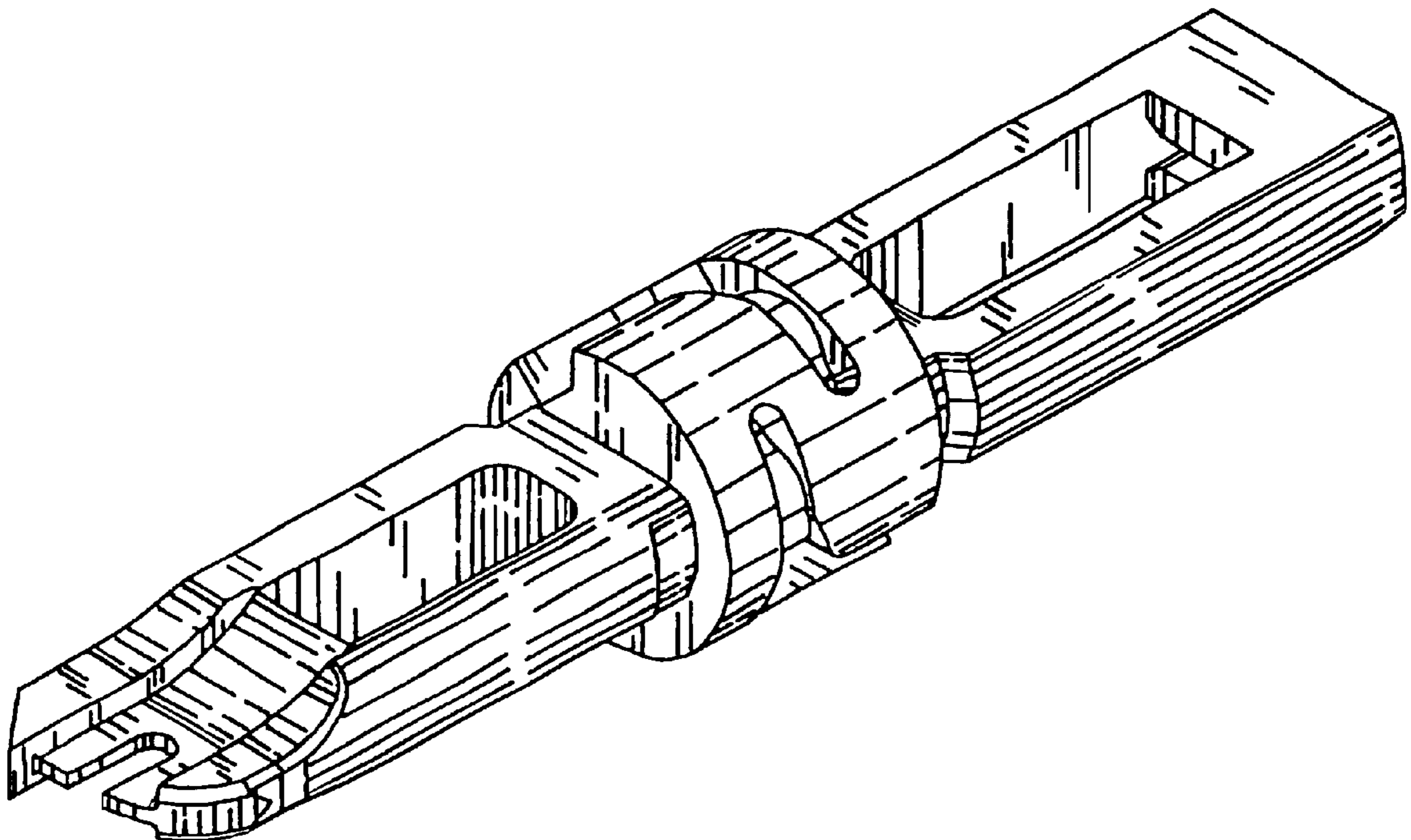
FIG. 7 is an elevational view of the back end.

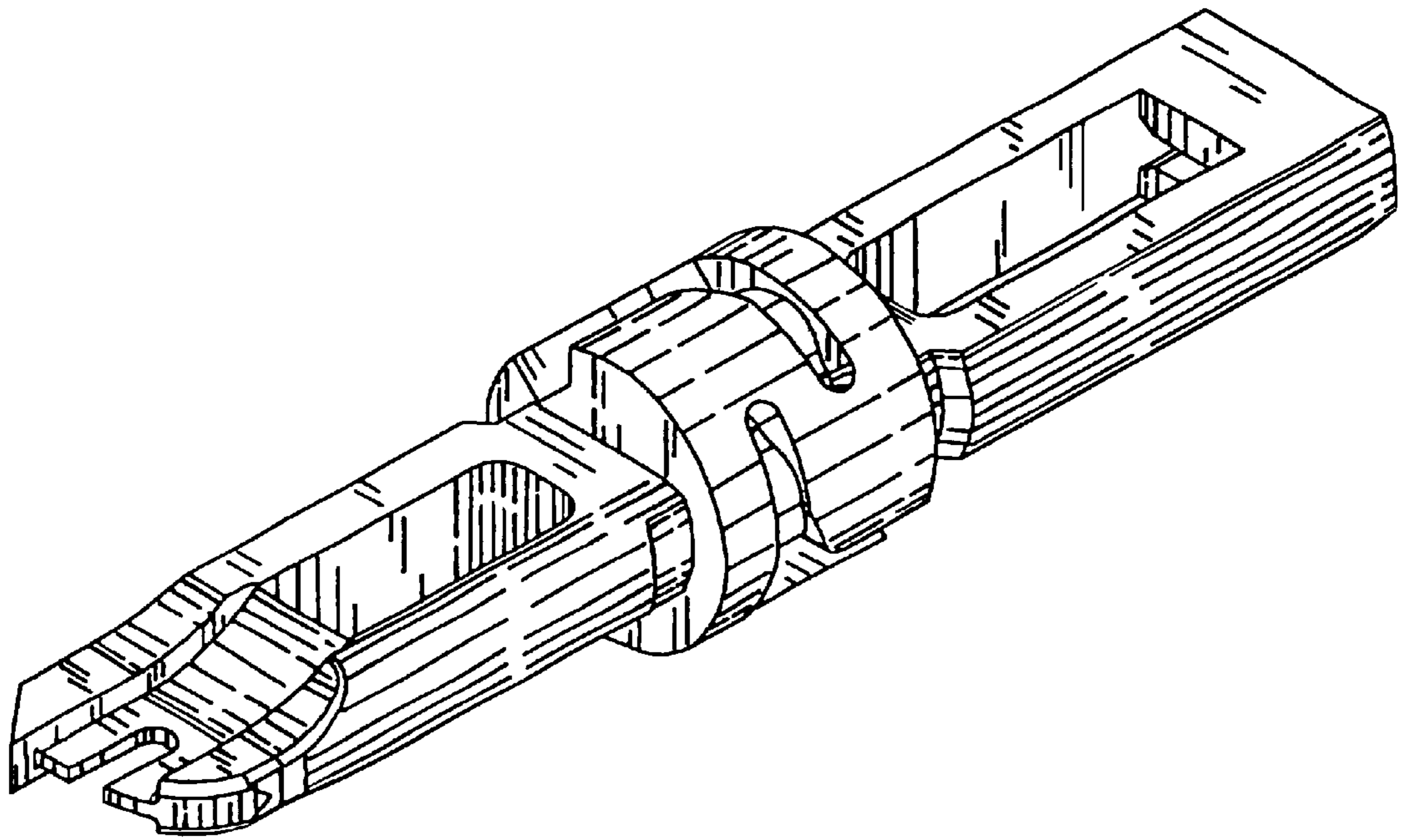
(56) **References Cited**

**U.S. PATENT DOCUMENTS**

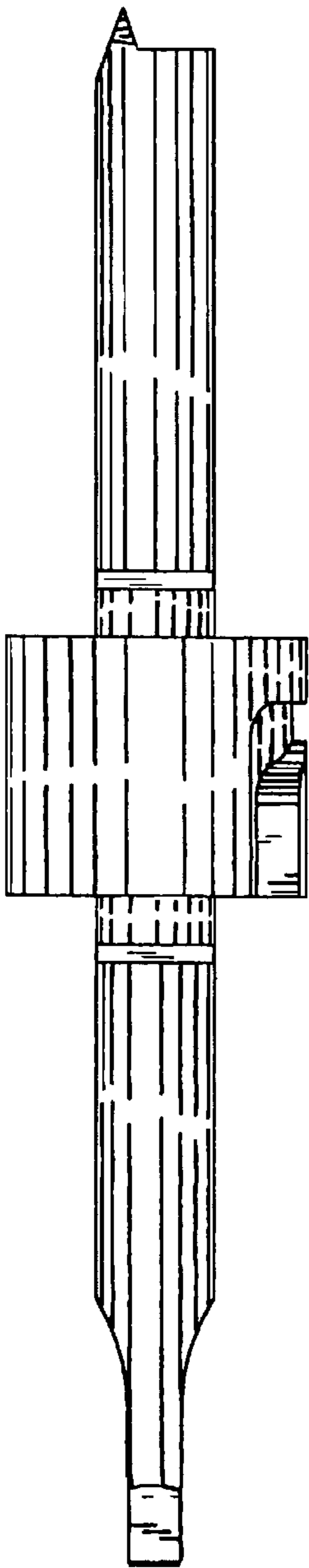
D. 409,470 \* 5/1999 Barry ..... D8/14

**1 Claim, 3 Drawing Sheets**

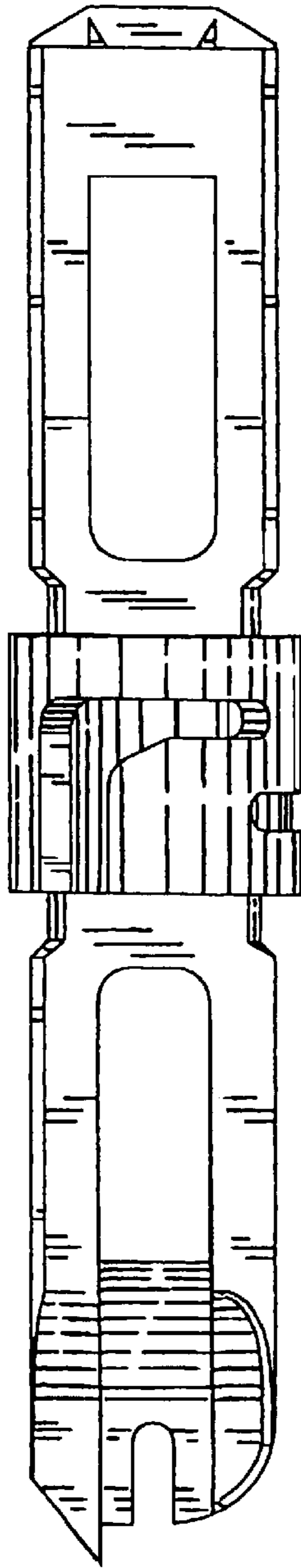




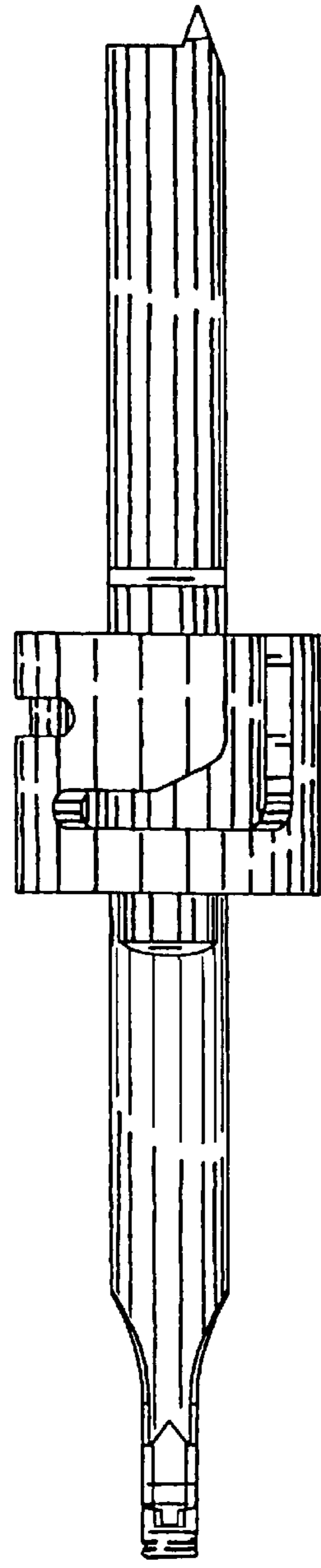
**FIG. 1**



**FIG. 3**



**FIG. 4**



**FIG. 2**

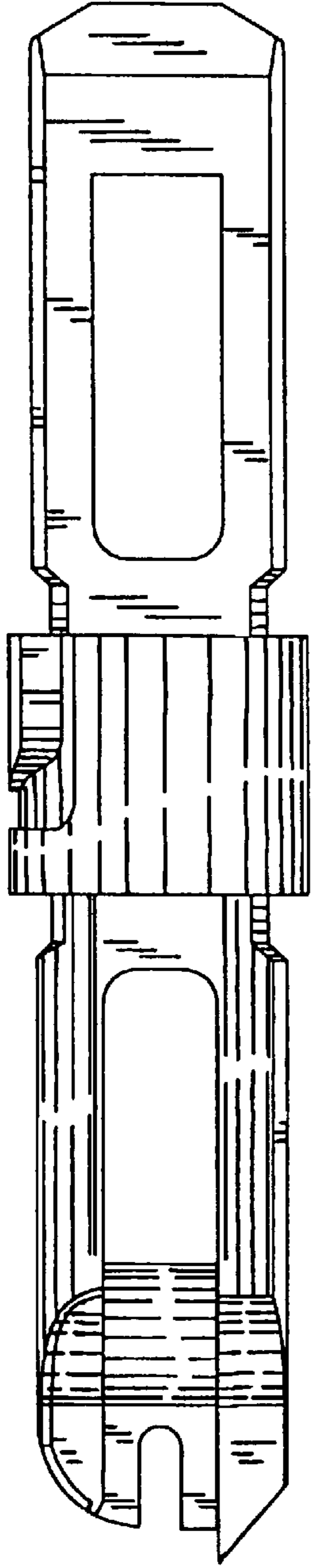


FIG. 5

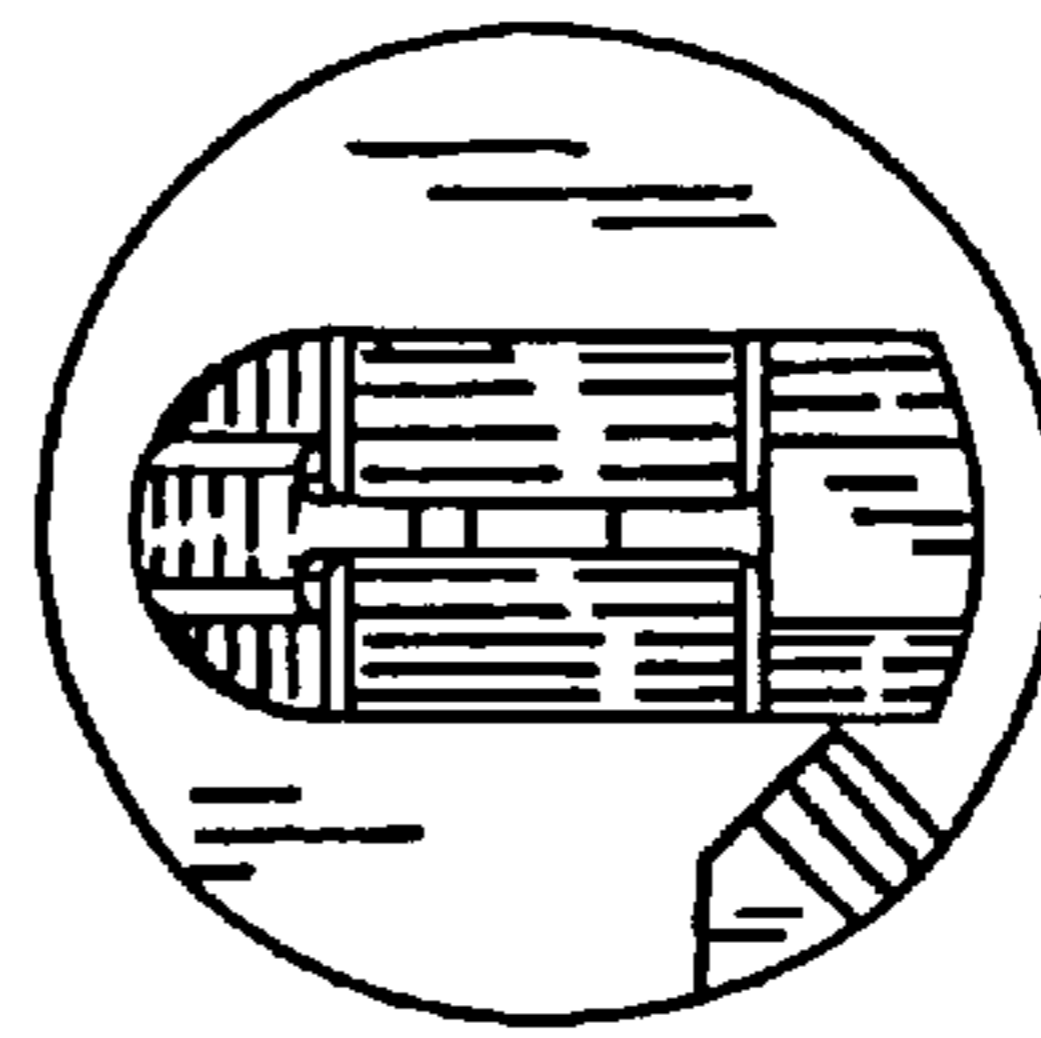


FIG. 6

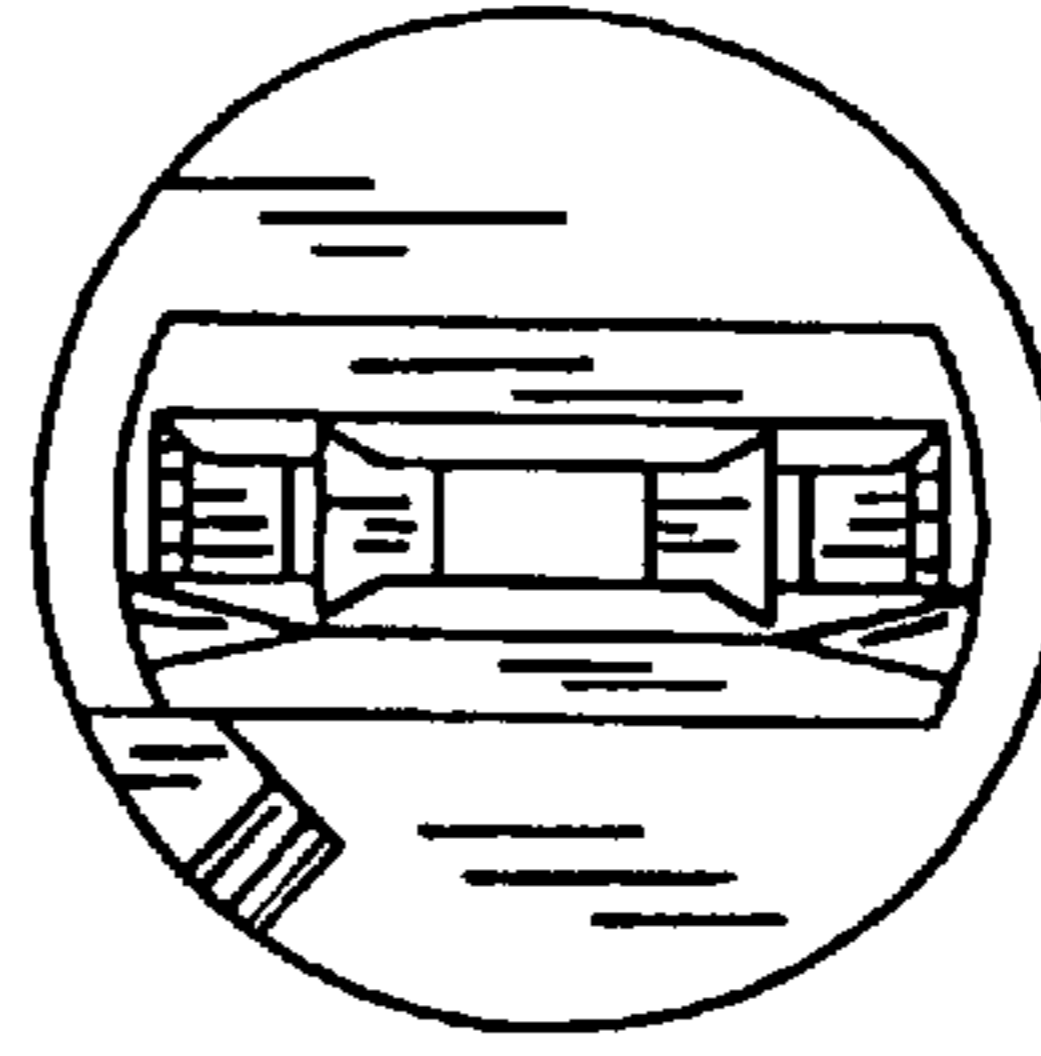


FIG. 7