



US00D450225B1

(12) **United States Design Patent**
Walters-Dowding et al.

(10) **Patent No.:** **US D450,225 S**

(45) **Date of Patent:** **** Nov. 13, 2001**

(54) **MUG RACK**

(75) Inventors: **Andrea Walters-Dowding**, Dresden;
Lynn Lippert, Newark, both of OH
(US); **Russell Gilbert; Durward**
Staten, both of Mountain View, AR
(US)

(73) Assignee: **The Longaberger Company**, Newark,
OH (US)

(**) Term: **14 Years**

(21) Appl. No.: **29/122,395**

(22) Filed: **Apr. 26, 2000**

(51) **LOC (7) Cl.** **07-06**

(52) **U.S. Cl.** **D7/704**

(58) **Field of Search** D7/701, 704, 707,
D7/708; D6/449-469, 513, 514, 563, 565;
211/13.1, 41.1, 41.2, 41.7, 71.01, 74, 85.23,
85.31, 119.12, 128.1, 181.1

(56) **References Cited**

U.S. PATENT DOCUMENTS

- D. 339,249 9/1993 Wu D6/411
- D. 385,758 11/1997 Hollinger .
- D. 393,783 4/1998 Goodman D7/704

- D. 401,819 * 12/1998 Doret, Jr. D7/704
- D. 403,212 * 12/1998 Doret, Jr. D7/704 X
- D. 404,980 * 2/1999 Goodman D7/704
- 5,833,080 * 11/1998 Donne 211/181.1

OTHER PUBLICATIONS

Stone County Ironworks, 1997, p. 34.

* cited by examiner

Primary Examiner—Terry A. Wallace

(74) *Attorney, Agent, or Firm*—Porter Wright Morris &
Arthur LLP

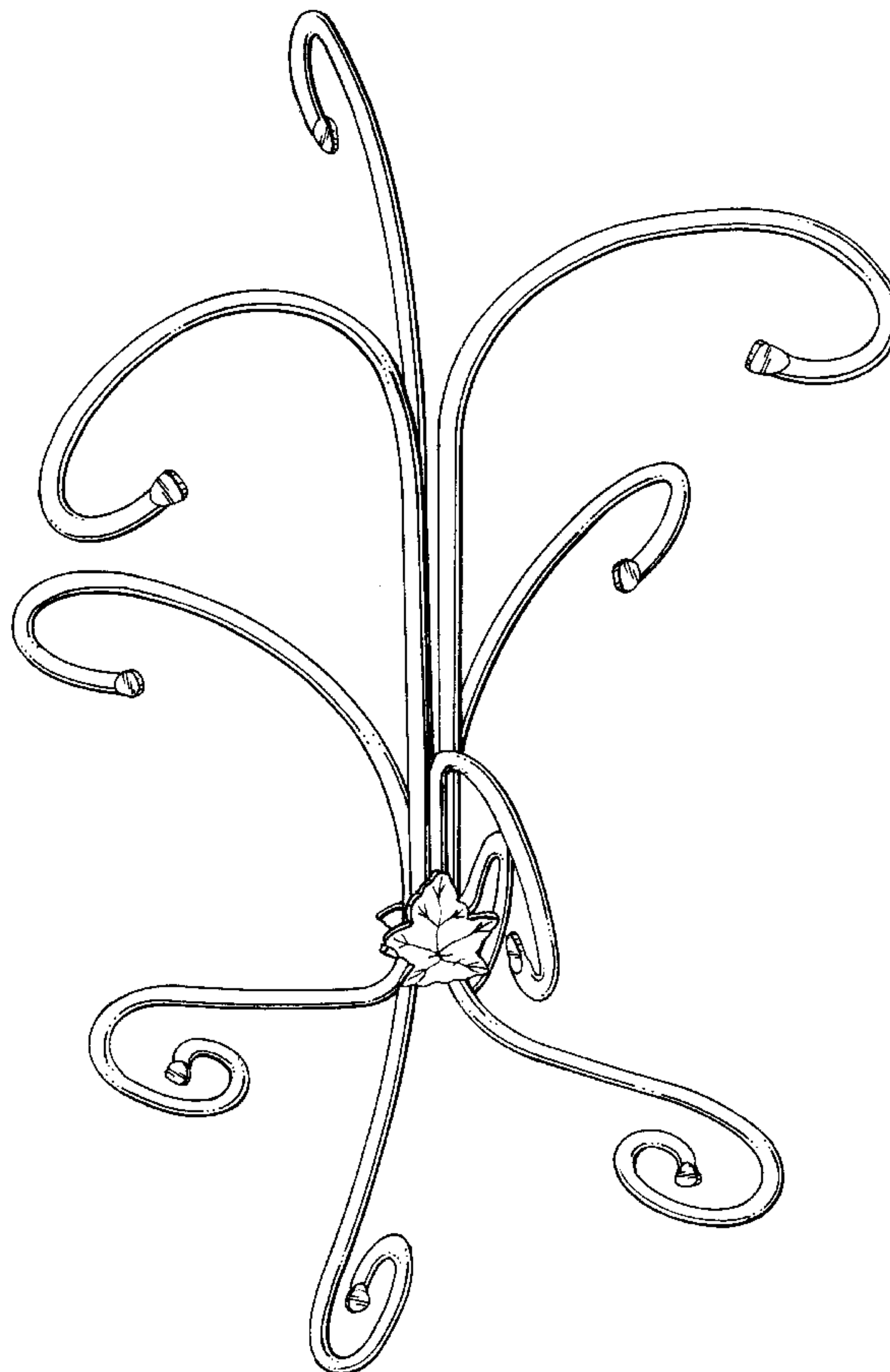
(57) **CLAIM**

The ornamental design for mug rack, as shown and
described.

DESCRIPTION

FIG. 1 is a perspective view of the mug rack showing our
new design;
FIG. 2 is a front view thereof;
FIG. 3 is a right side view, the left side being a mirror image
thereof;
FIG. 4 is a rear view thereof;
FIG. 5 is a top view thereof; and,
FIG. 6 is a bottom view thereof.

1 Claim, 5 Drawing Sheets



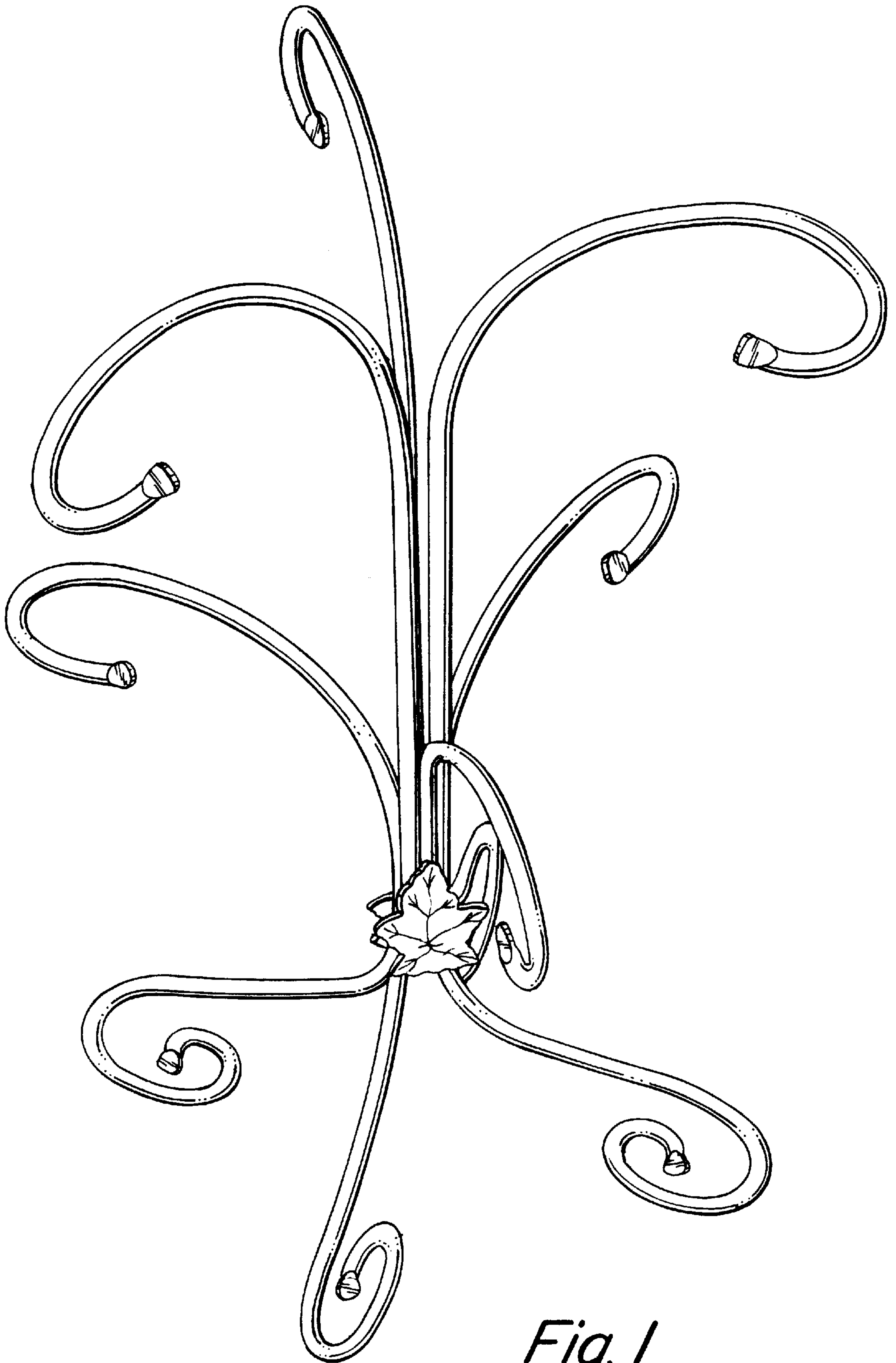


Fig. 1

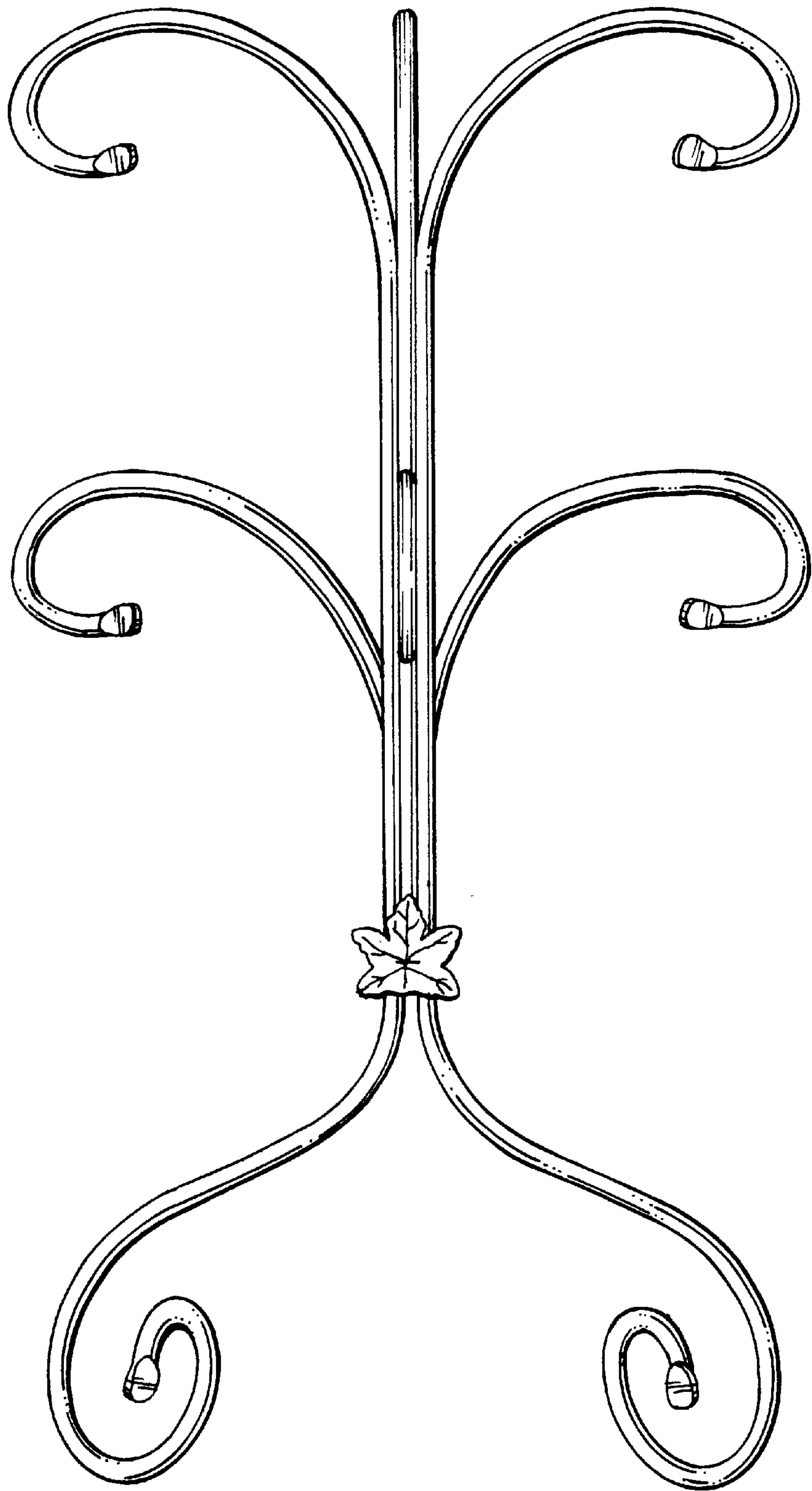


Fig. 2

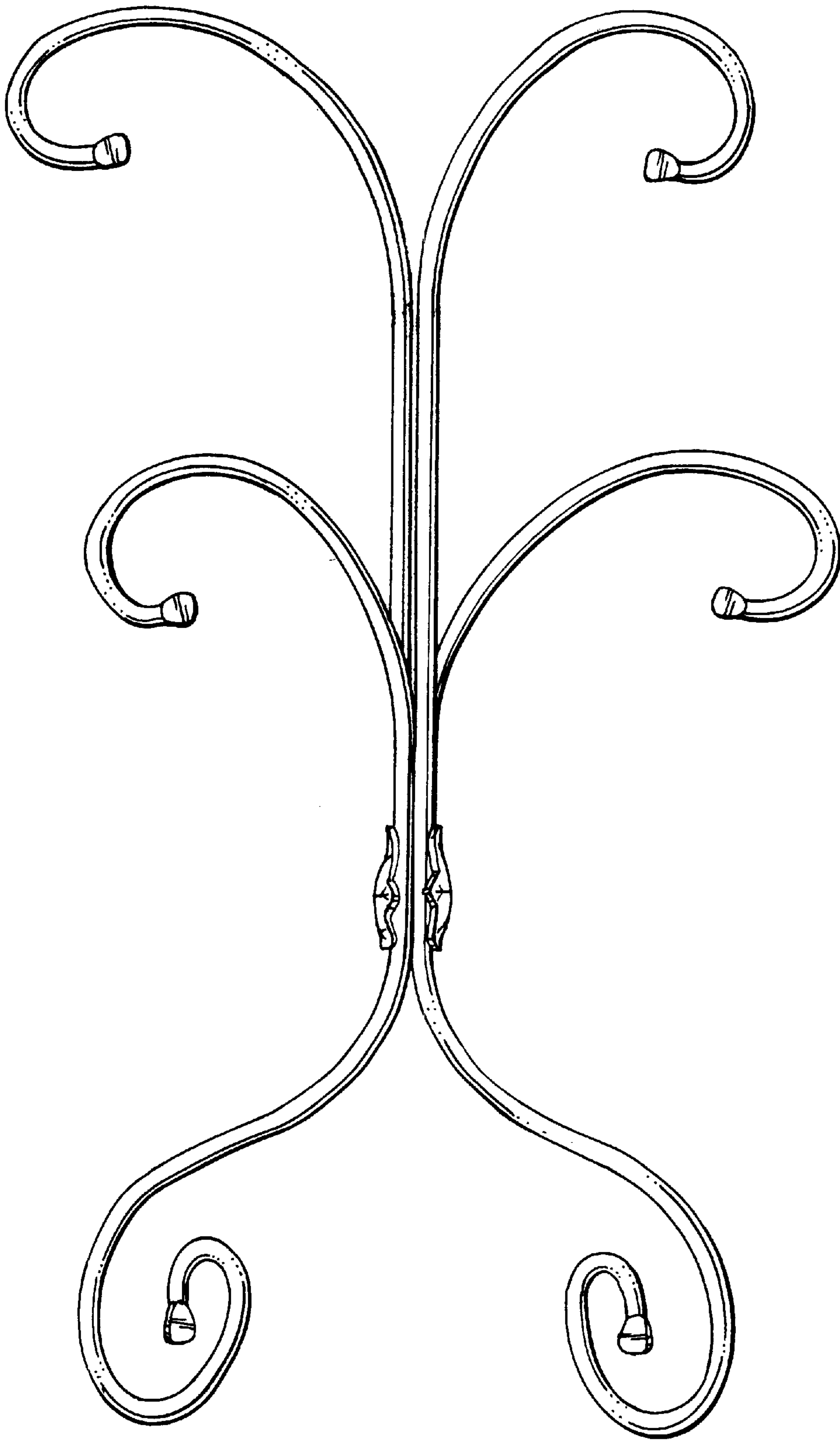


Fig. 3

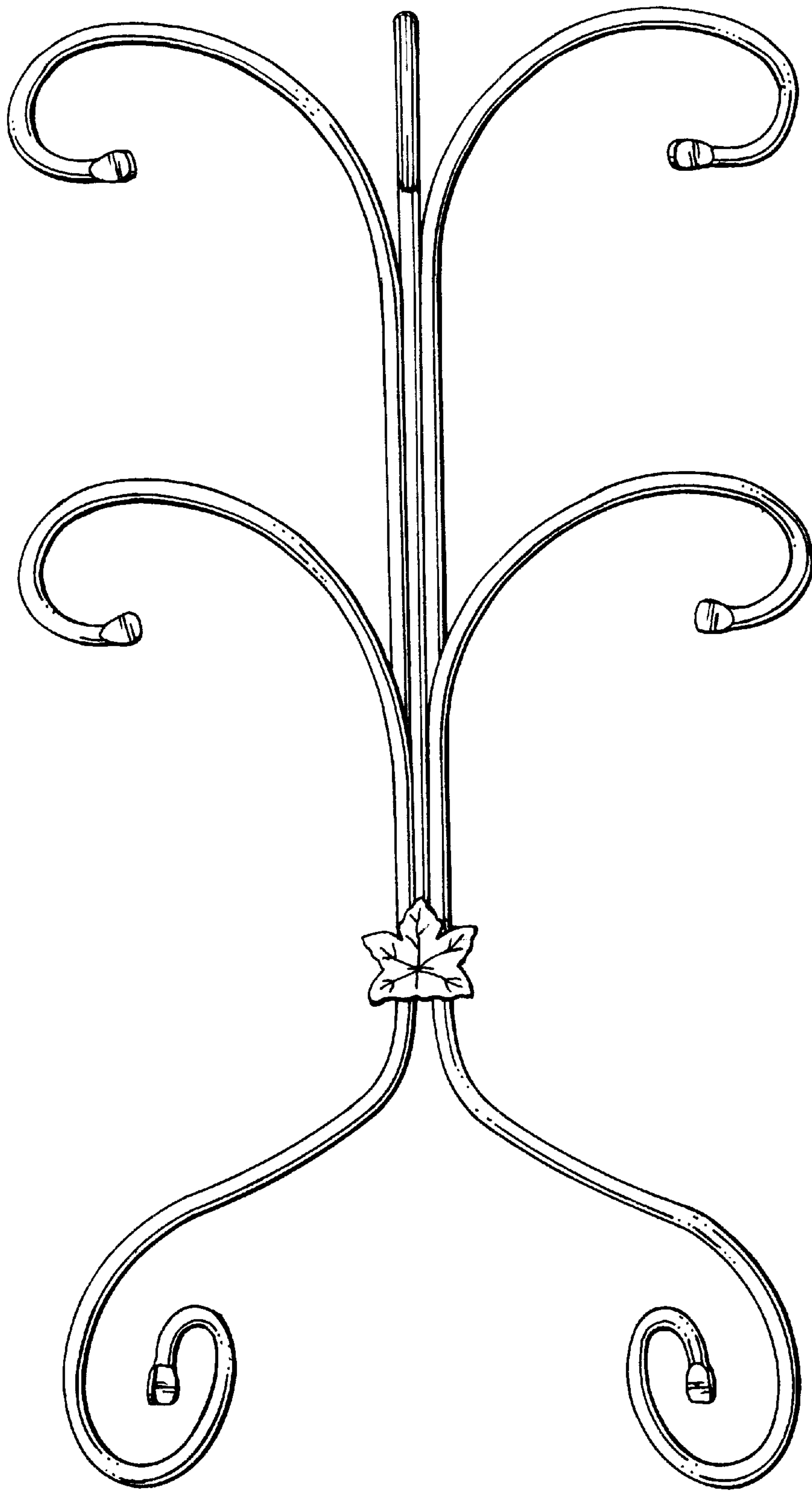


Fig. 4

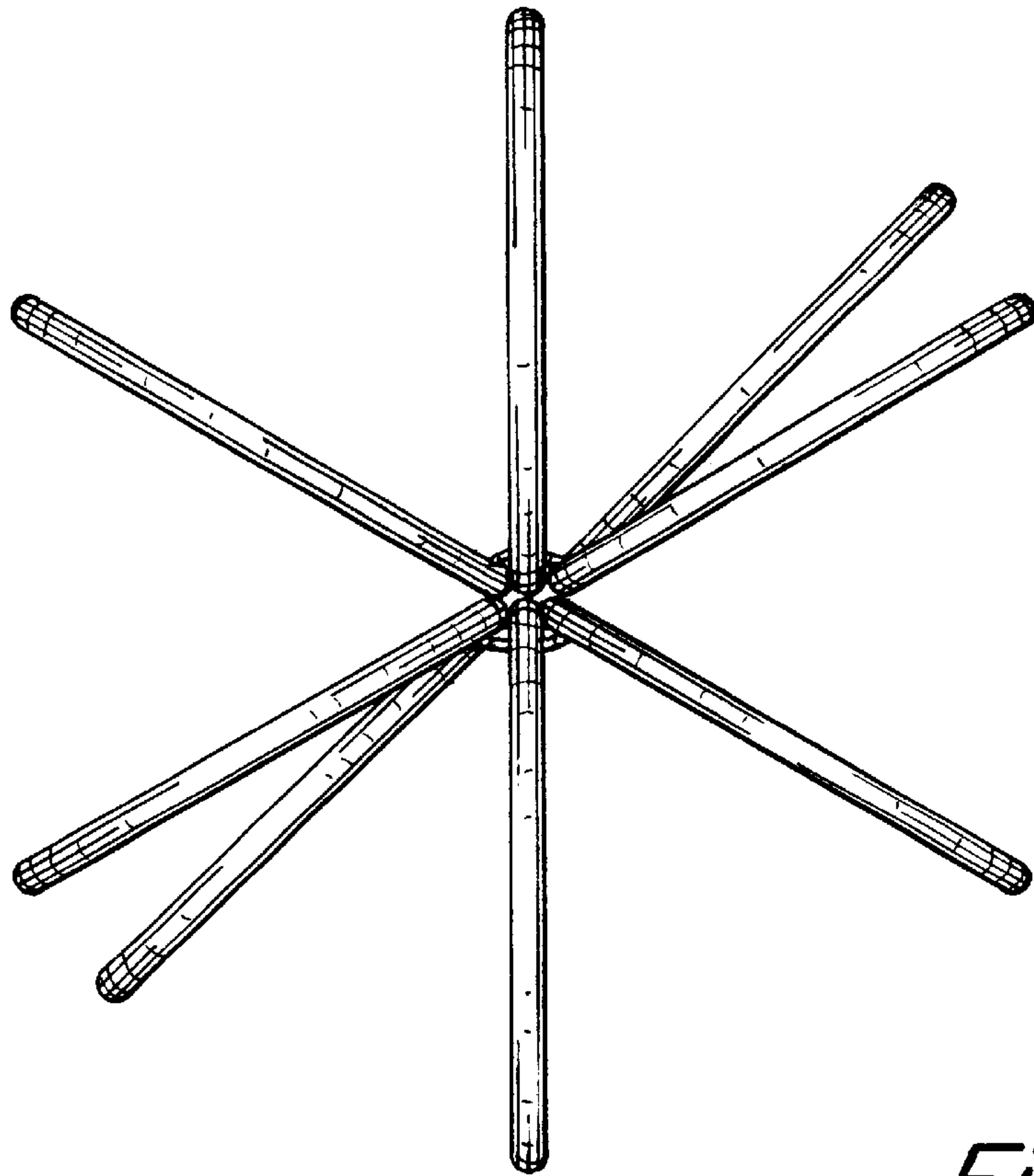


Fig. 5

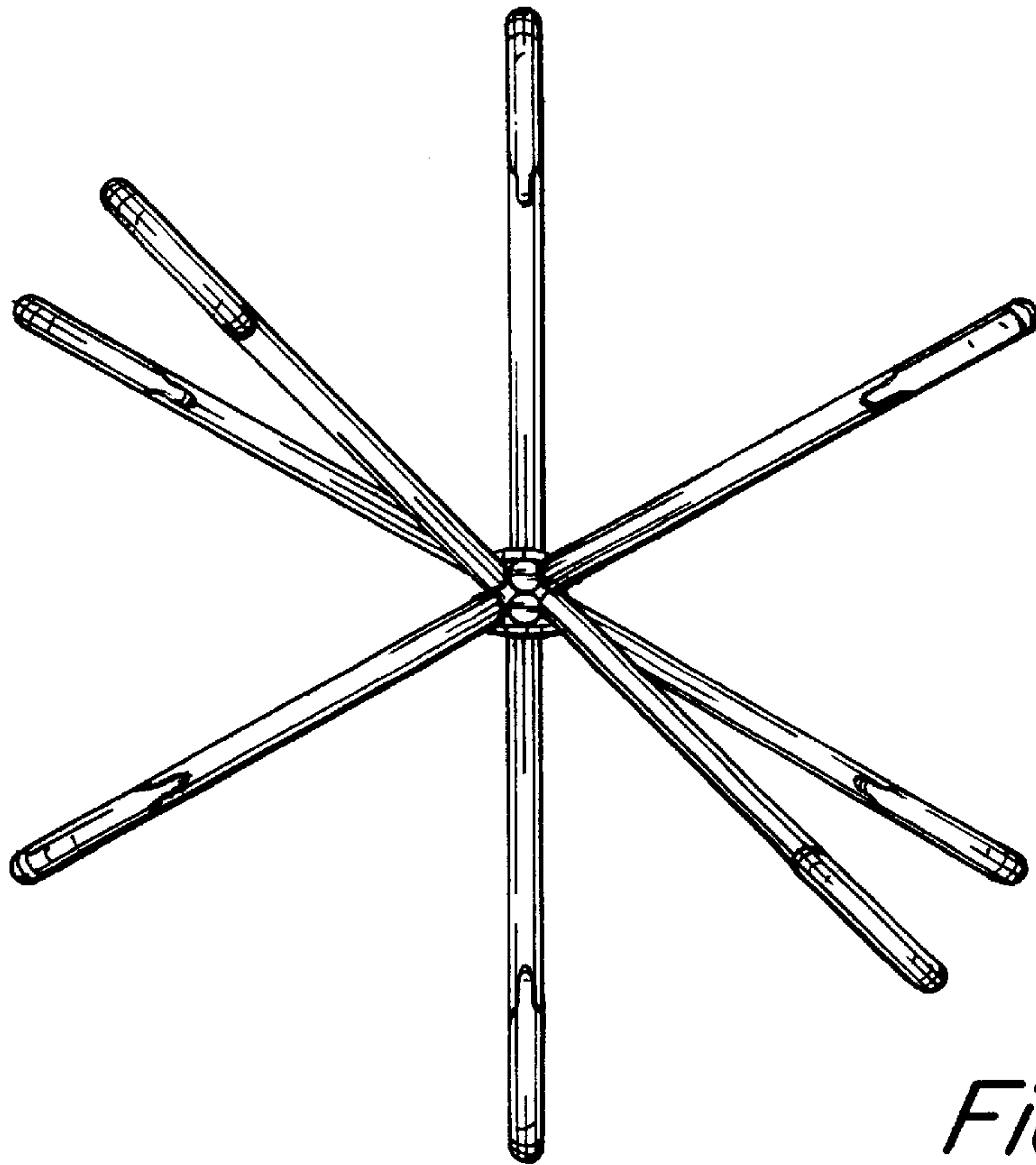


Fig. 6