



US00D450224B1

(12) **United States Design Patent**
Dweck

(10) **Patent No.:** **US D450,224 S**

(45) **Date of Patent:** **** Nov. 13, 2001**

- (54) **CHOPPING BOARD AND KNIFE COMBINATION**
- (75) Inventor: **Morris Dweck**, New York, NY (US)
- (73) Assignee: **Murray Hill Co., Inc.**, New York, NY (US)
- (**) Term: **14 Years**
- (21) Appl. No.: **29/134,076**
- (22) Filed: **Dec. 13, 2000**
- (51) **LOC (7) Cl.** **07-04**
- (52) **U.S. Cl.** **D7/698**
- (58) **Field of Search** D7/673, 698, 649, D7/650; 30/124, 296.1; 83/42; 99/446; 241/262; 269/13, 289 R, 291, 302.1, 303, 315, 900; 425/218

- 3,736,088 * 5/1973 Jimenez 425/218
- 4,247,984 * 2/1981 McArdle et al. 30/296.1
- 5,984,294 * 11/1999 Bogomolny 269/289 R

* cited by examiner

Primary Examiner—Caron D. Veynar
(74) *Attorney, Agent, or Firm*—Ezra Sutton

(57) **CLAIM**

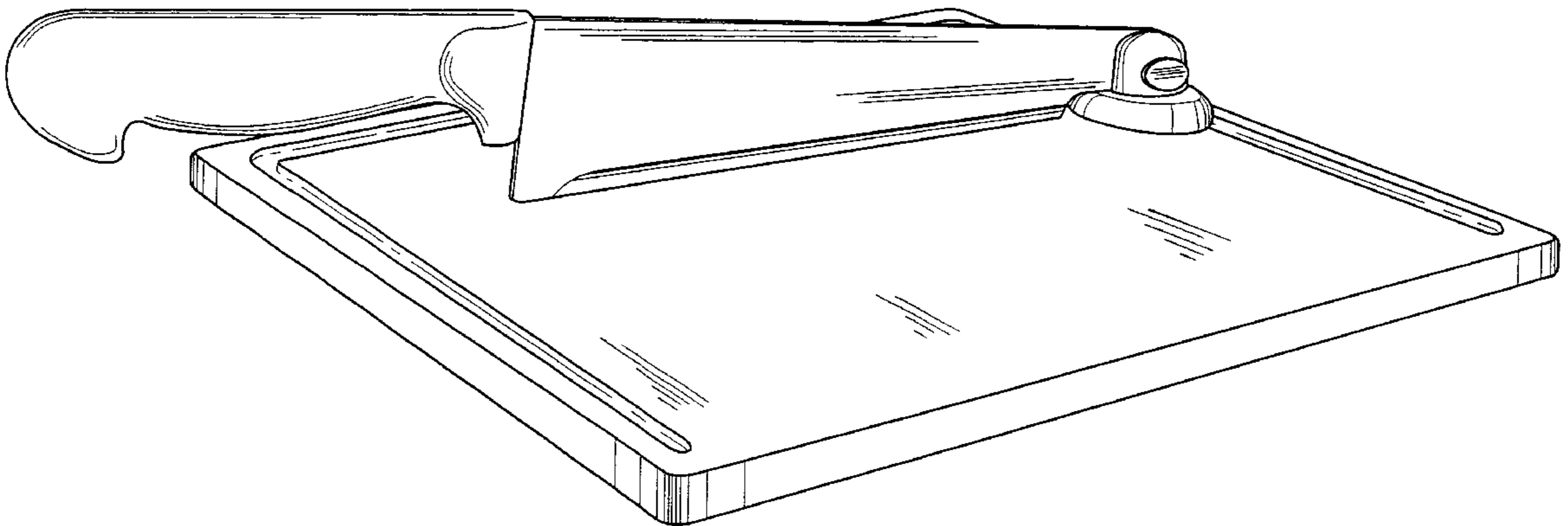
The ornamental design for a chopping board and knife combination, as shown and described.

DESCRIPTION

FIG. 1 is a front perspective view of a chopping board and knife combination showing my new design;
 FIG. 2 is a rear perspective view, the broken lines shown are for illustrative purposes only and form no part of the claimed design;
 FIG. 3 is a front view thereof;
 FIG. 4 is a rear view thereof;
 FIG. 5 is a left side view thereof;
 FIG. 6 is a right side view thereof;
 FIG. 7 is a top plan view thereof; and,
 FIG. 8 is a bottom plan view thereof.

- (56) **References Cited**
- U.S. PATENT DOCUMENTS**
- D. 247,603 * 3/1978 Grossman D7/698 X
- D. 255,082 * 5/1980 Barrera D7/698
- 3,696,849 * 10/1972 Davis 241/262

1 Claim, 6 Drawing Sheets



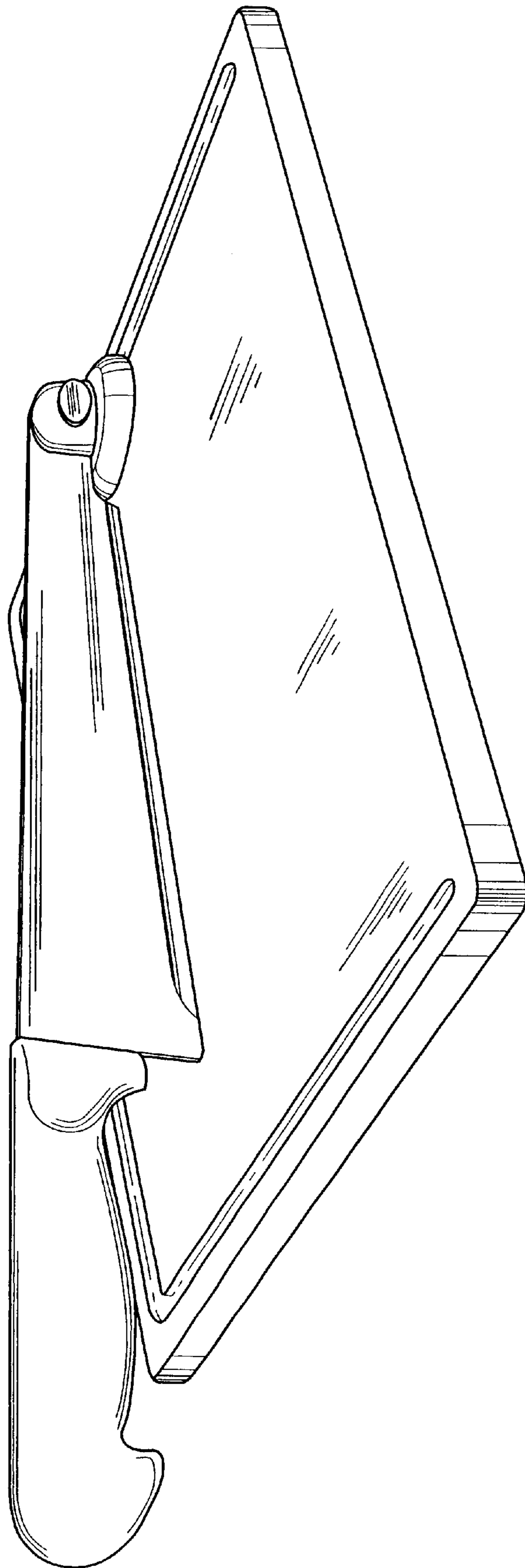


FIG. 1

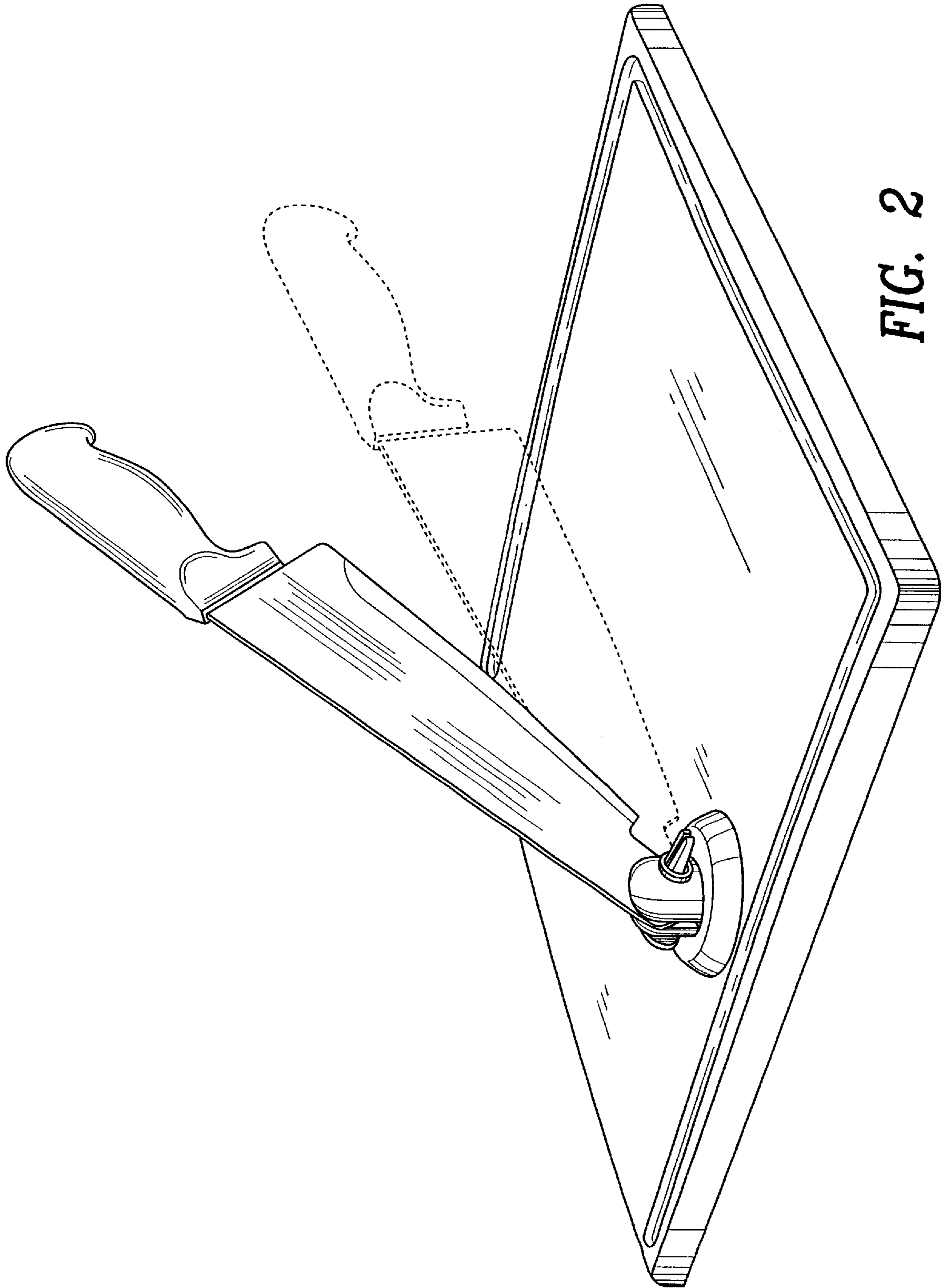


FIG. 2

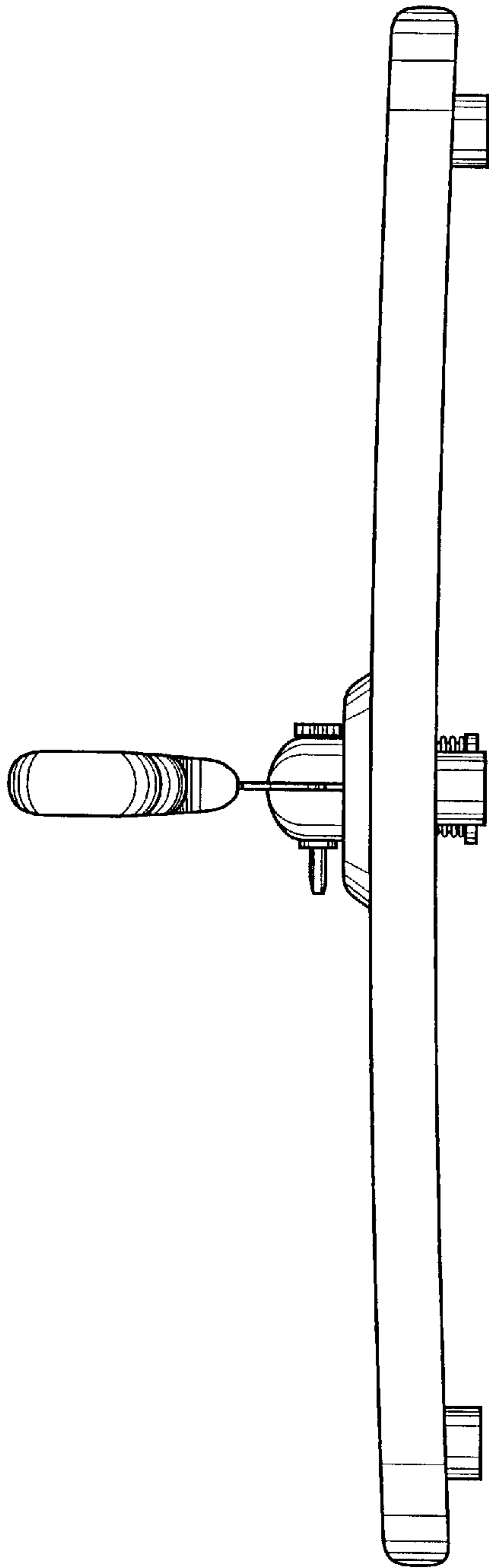


FIG. 3

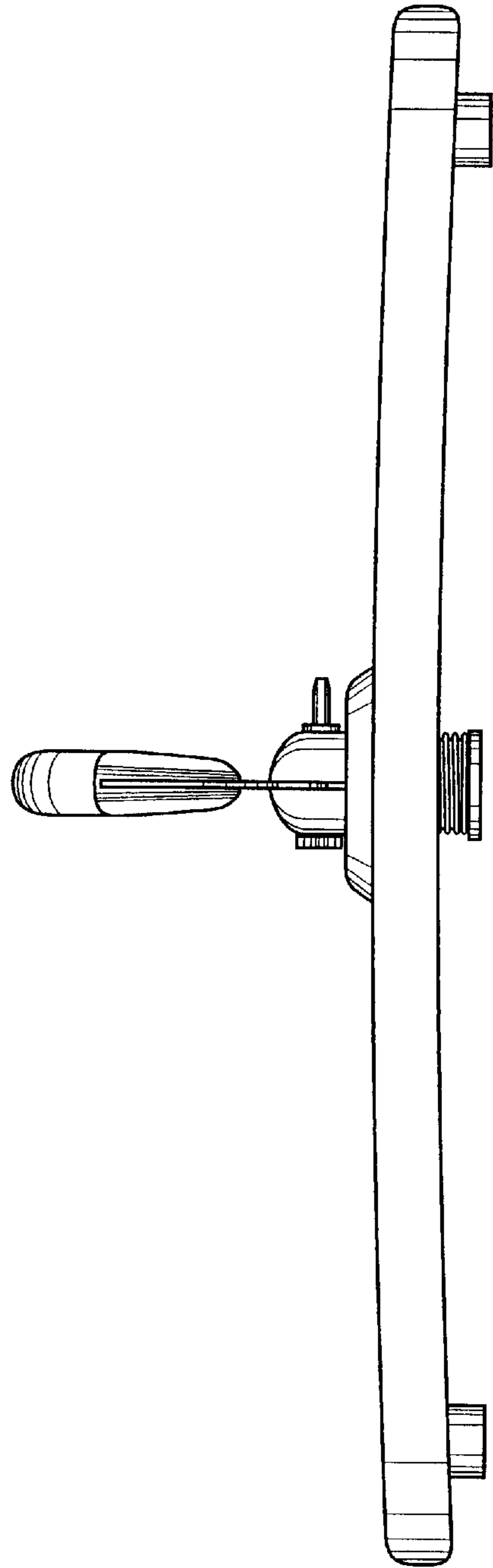
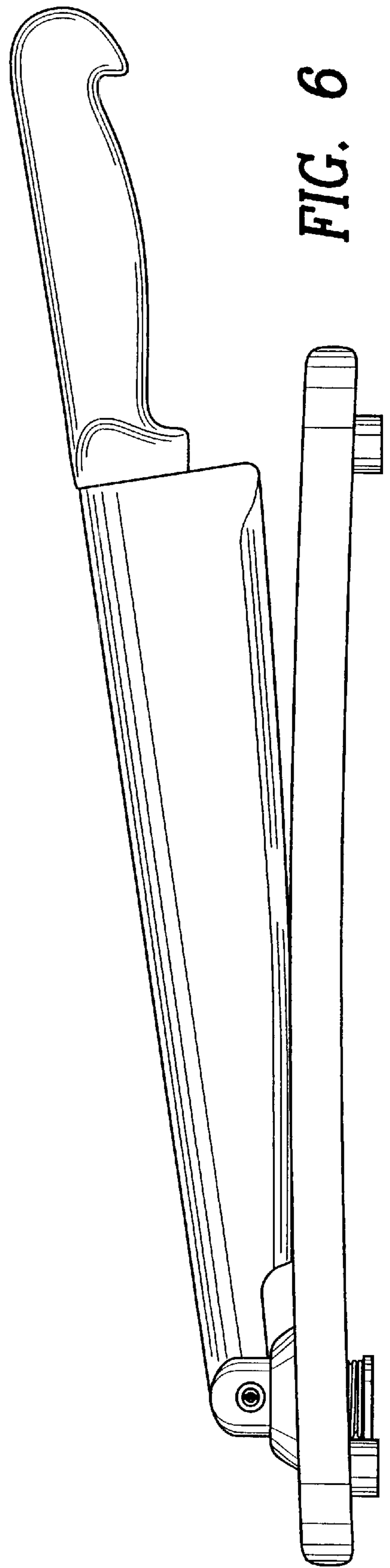
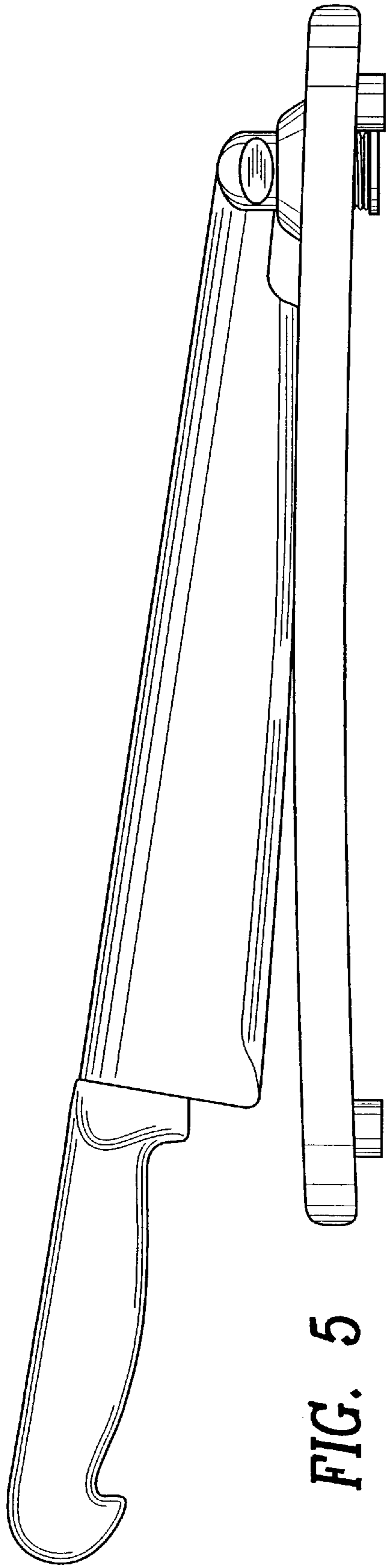


FIG. 4



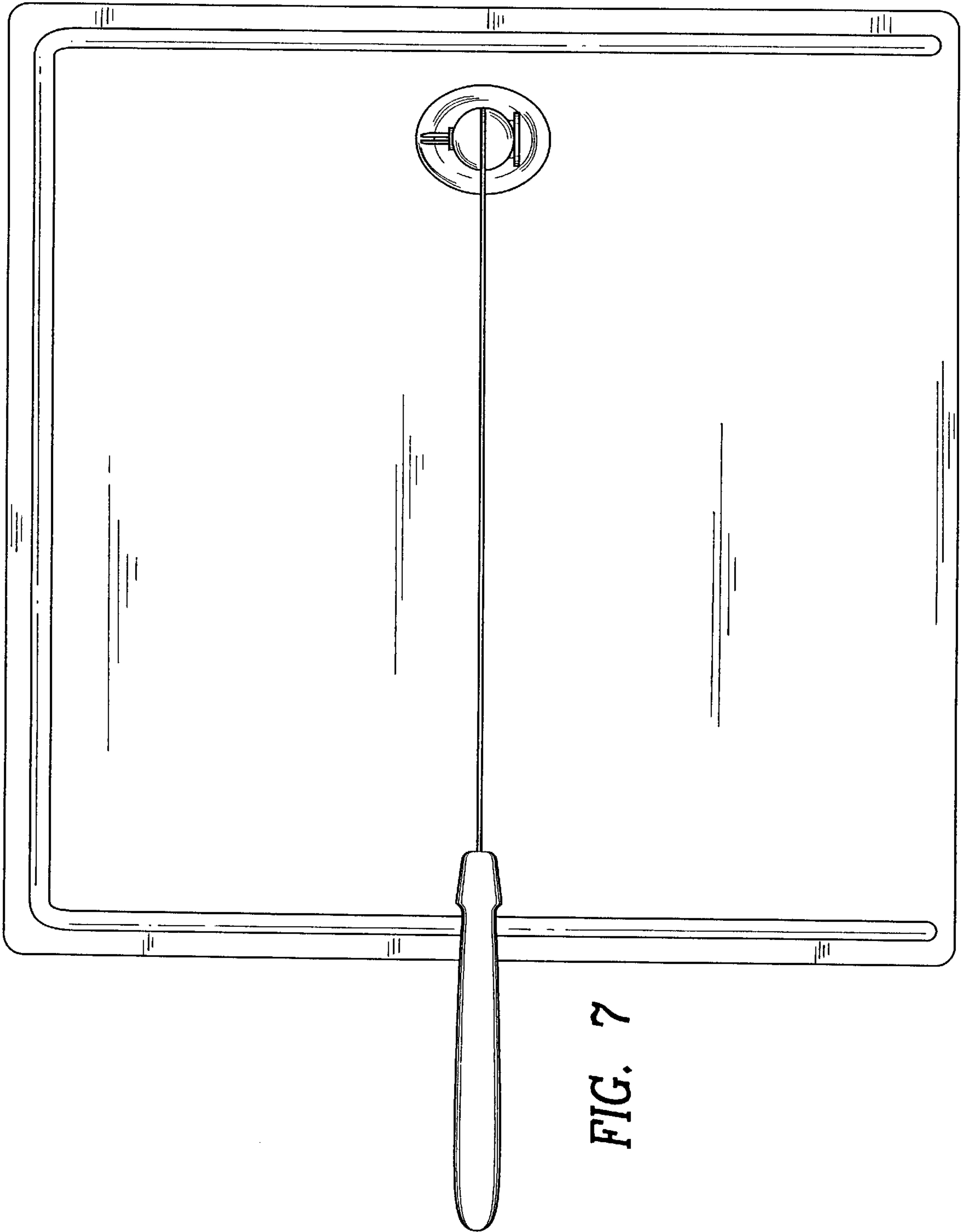


FIG. 7

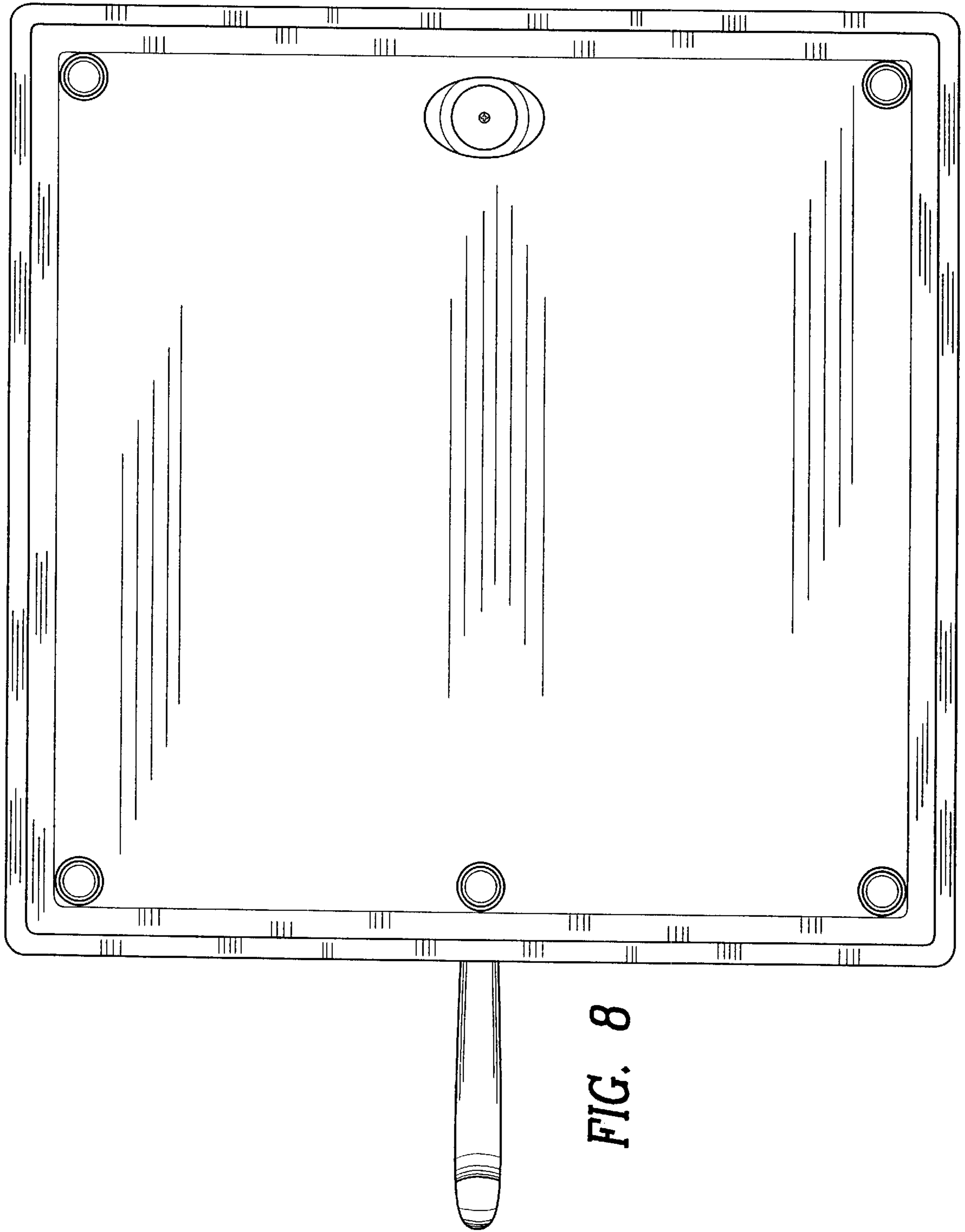


FIG. 8