



US00D450222B1

(12) **United States Design Patent**
Dewitt

(10) **Patent No.:** **US D450,222 S**

(45) **Date of Patent:** **** Nov. 13, 2001**

(54) **SAUSAGE-SHAPED FOOD PRODUCT DISPENSER**

4,308,974	*	1/1982	Jones	221/266	X
5,127,543	*	7/1992	Meisels	221/266	X
5,295,608	*	3/1994	Blasko et al.	221/266	
5,351,858	*	10/1994	Bar-yona	221/266	

(75) Inventor: **Dale V. Dewitt**, Ladysmith, WI (US)

(73) Assignee: **ADF, Inc.**, Ladysmith, WI (US)

(**) Term: **14 Years**

* cited by examiner

Primary Examiner—Terry A. Wallace

(74) *Attorney, Agent, or Firm*—Roger W. Jensen

(21) Appl. No.: **29/132,249**

(57) **CLAIM**

(22) Filed: **Nov. 6, 2000**

The ornamental design for a sausage-shaped food product dispenser, as shown.

(51) **LOC (7) Cl.** **07-06**

DESCRIPTION

(52) **U.S. Cl.** **D7/590**

(58) **Field of Search** D7/590, 589; D6/408, D6/470, 515-517; 211/74, 49.1, 50; 221/92, 266, 205, 196, 203, 97

FIG. 1 is a left side view of a food dispenser showing my new design;

FIG. 2 is a bottom view thereof;

FIG. 3 is a back view thereof;

FIG. 4 is a front view thereof;

FIG. 5 is a right-side view thereof; and,

FIG. 6 is a top view thereof.

(56) **References Cited**

U.S. PATENT DOCUMENTS

D. 408,667	*	4/1999	Curry	D6/515	
995,157	*	6/1911	Korman	221/266	
1,773,329	*	8/1930	Upham	221/266	

1 Claim, 3 Drawing Sheets

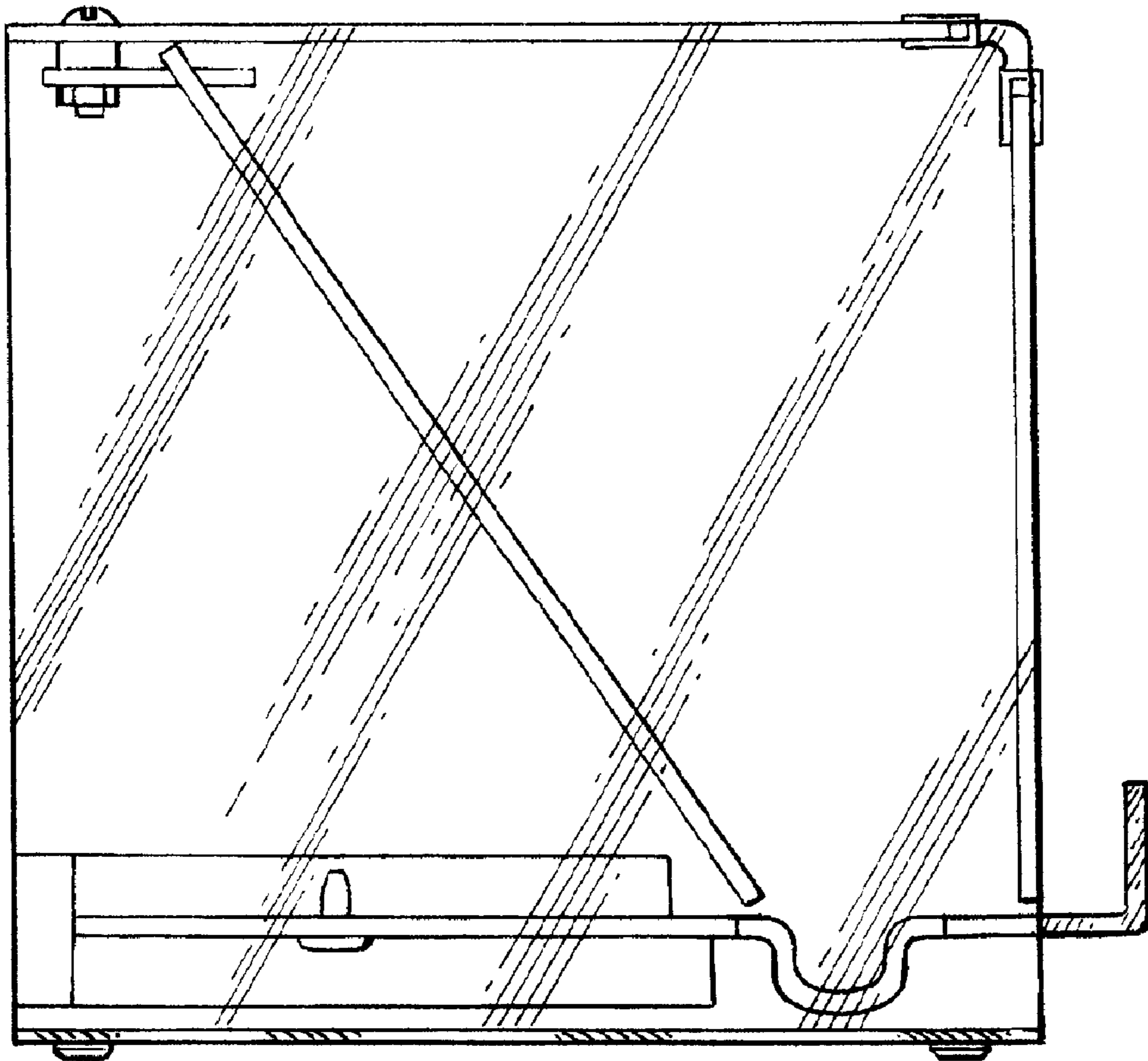


FIG. 1

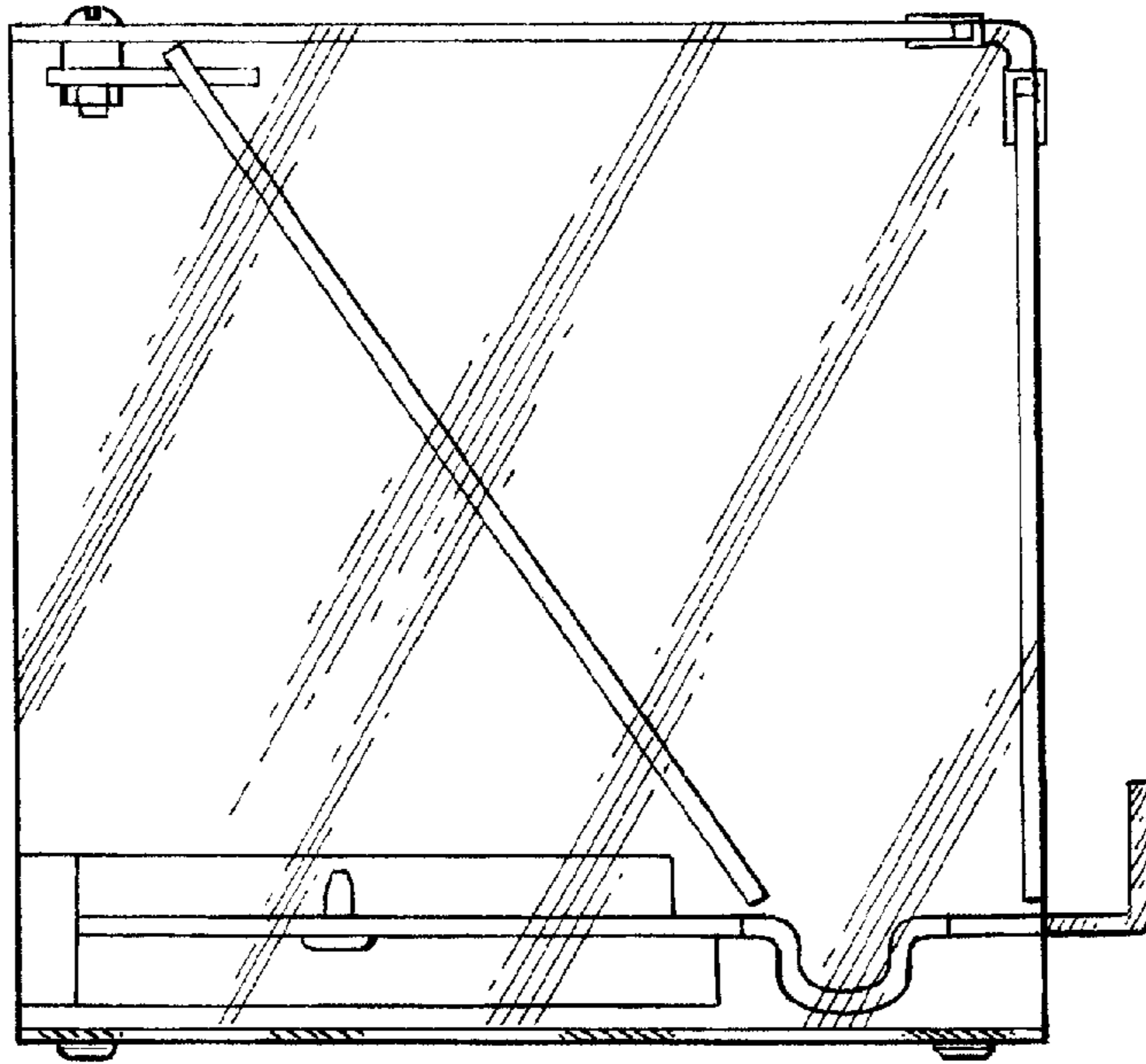


FIG. 2

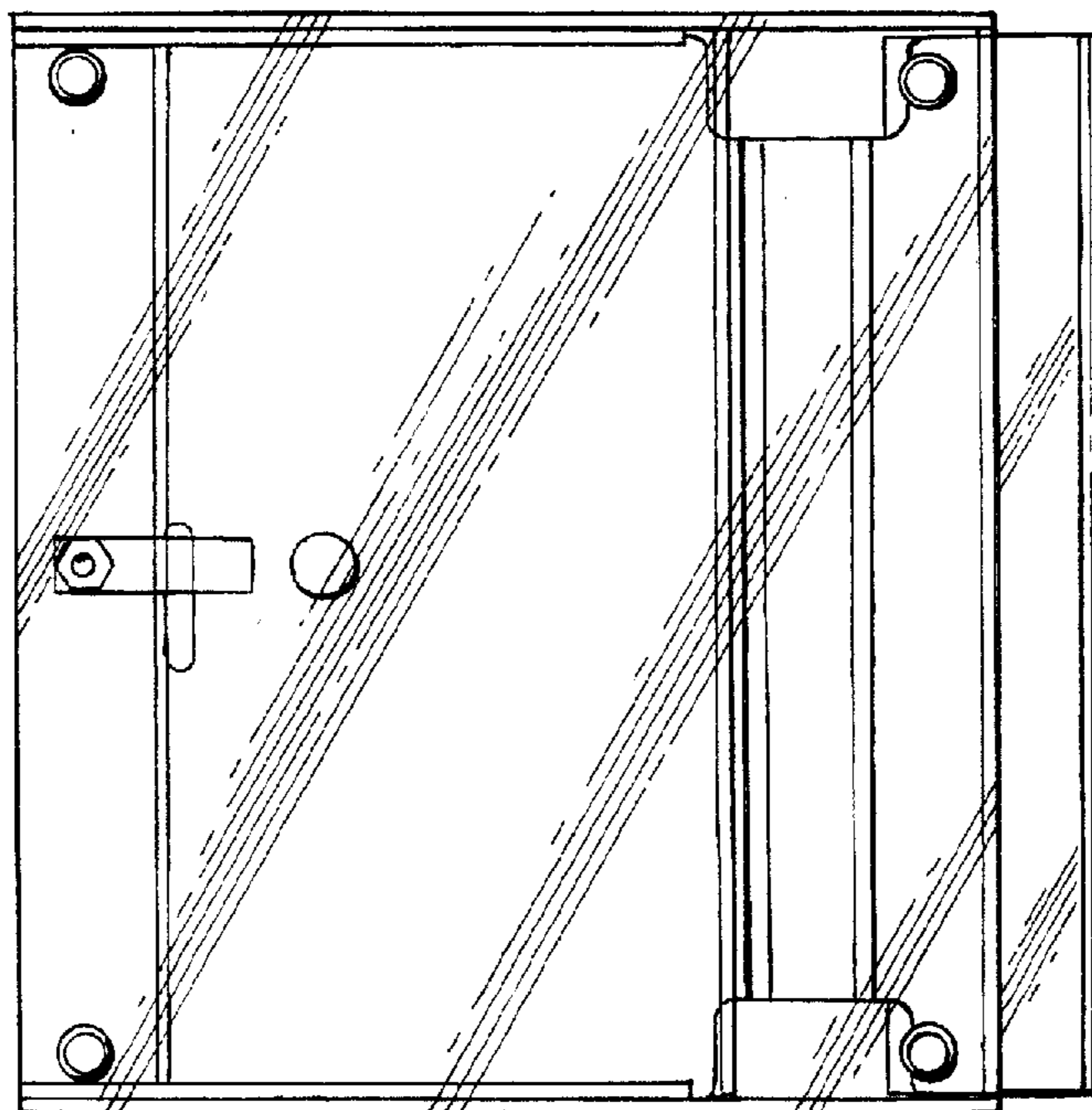


FIG. 4

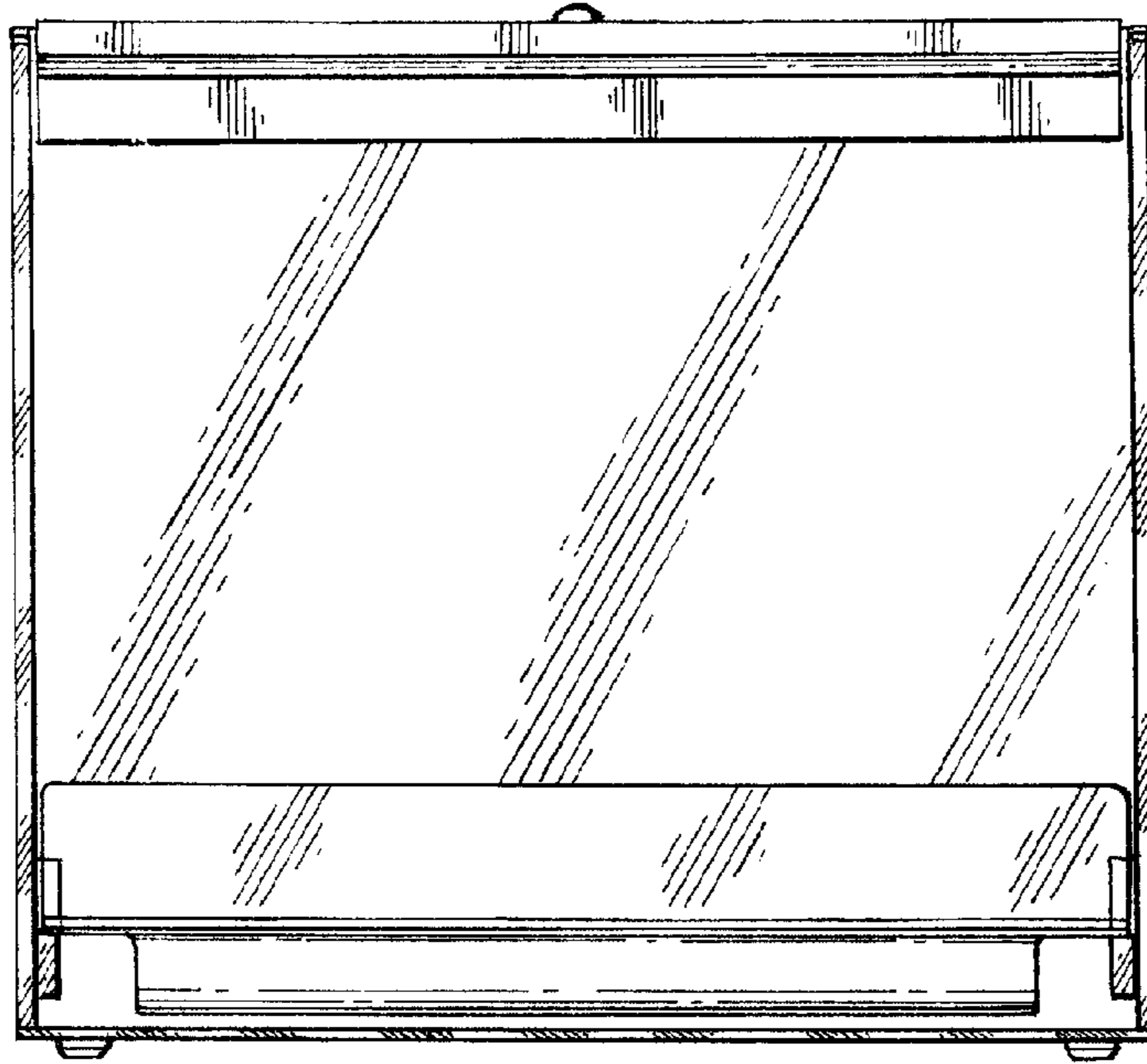


FIG. 3

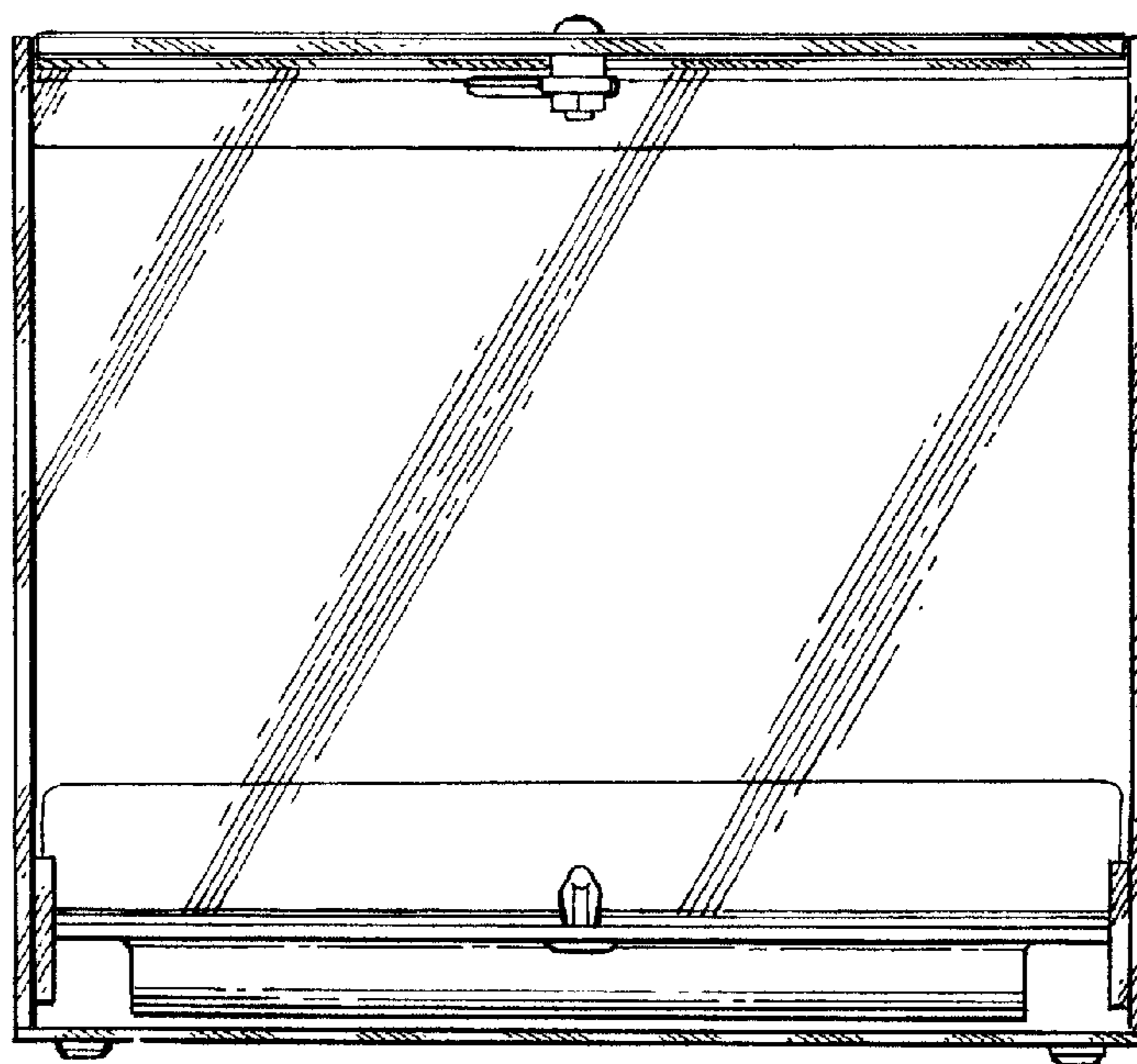


FIG. 6

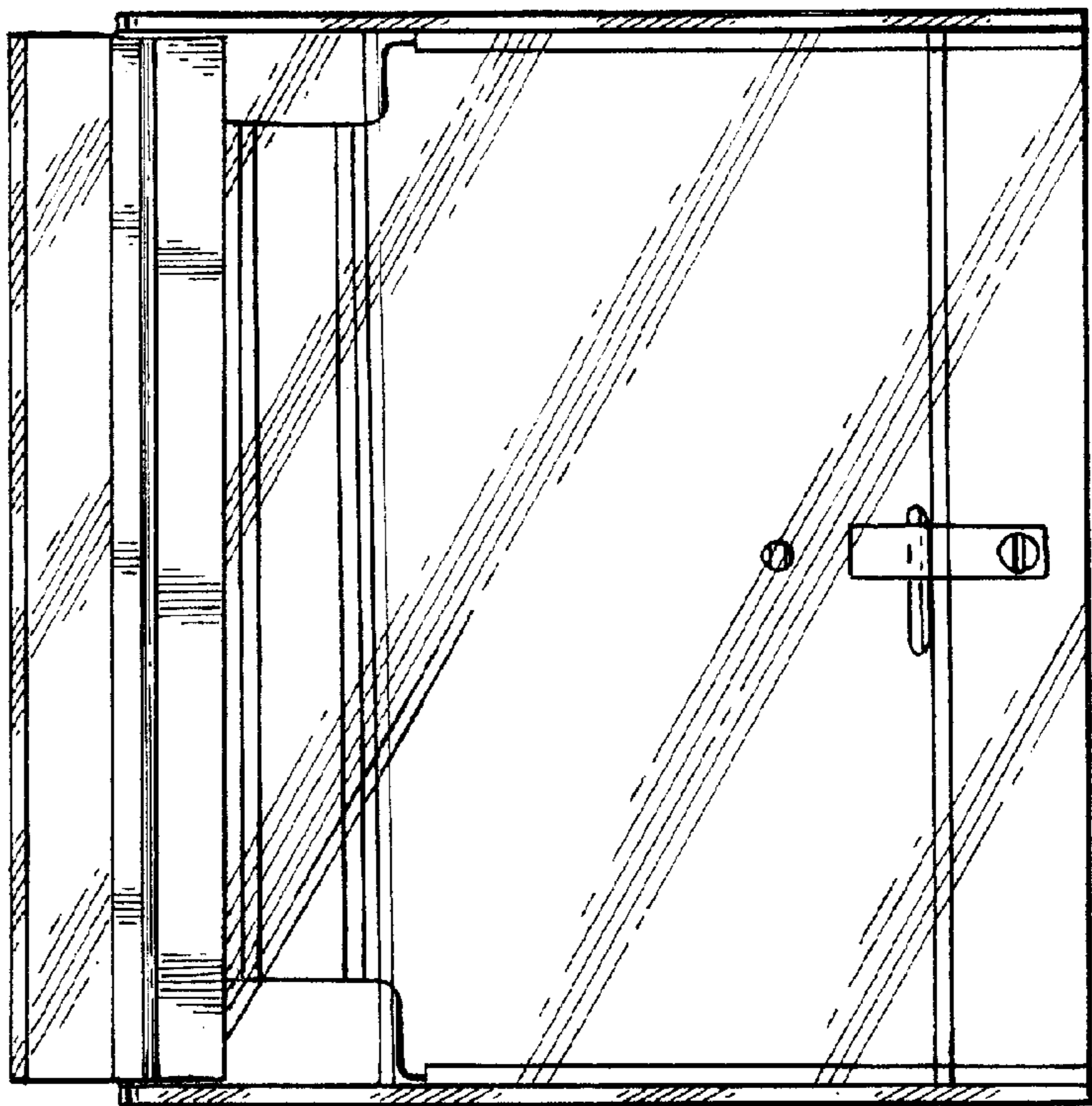


FIG. 5

