



US00D450218B1

(12) **United States Design Patent**
Liu et al.

(10) **Patent No.:** **US D450,218 S**

(45) **Date of Patent:** **** Nov. 13, 2001**

(54) **ROTATING FOOD SERVER**

(75) Inventors: **Anita Suk Ping Liu**, Orlando; **Brooks Rorke**, Melbourne, both of FL (US)

(73) Assignee: **Dart Industries Inc.**, Orlando, FL (US)

(**) Term: **14 Years**

(21) Appl. No.: **29/136,795**

(22) Filed: **Feb. 7, 2001**

(51) **LOC (7) Cl.** **07-01**

(52) **U.S. Cl.** **D7/501; D7/554.1**

(58) **Field of Search** D7/501, 545, 554.1,
D7/558, 566, 567, 568, 570, 584; 206/557,
204, 551, 505; 220/628, 23.83, 575, 574

(56) **References Cited**

U.S. PATENT DOCUMENTS

D. 28,094	*	12/1897	Wojdkow	D7/570
D. 91,402	*	1/1934	Dodge, Jr. et al.	D7/570
D. 178,985	*	10/1956	Block	D7/545
D. 211,532		6/1968	Ashton	.	
D. 216,146		11/1969	Bateman et al.	.	
D. 217,006	*	3/1970	Michalek	D7/388
D. 219,748	*	1/1971	Bixler	D7/554.1
D. 240,001	*	5/1976	Myers et al.	D7/584
D. 256,756	*	9/1980	Painter et al.	D7/584
D. 259,230		5/1981	Snyder	.	
D. 272,215		1/1984	Daenen et al.	.	

D. 272,216	*	1/1984	Daenen et al.	D7/584
D. 272,217		1/1984	Daenen et al.	.	
D. 272,218		1/1984	Daenen et al.	.	
D. 272,221		1/1984	Daenen et al.	.	
D. 312,554	*	12/1990	Daenen et al.	D7/501
D. 318,399	*	7/1991	DeAre	D7/610
D. 328,408	*	8/1992	Are	D7/610
D. 413,487		9/1999	Vitali et al.	D7/505
D. 424,881	*	5/2000	Sundberg	D7/545
777,492		12/1904	Bruebach	.	
3,302,594		2/1967	Barnett et al.	.	

* cited by examiner

Primary Examiner—M. N. Pandozzi

(74) *Attorney, Agent, or Firm*—Taylor J. Ross

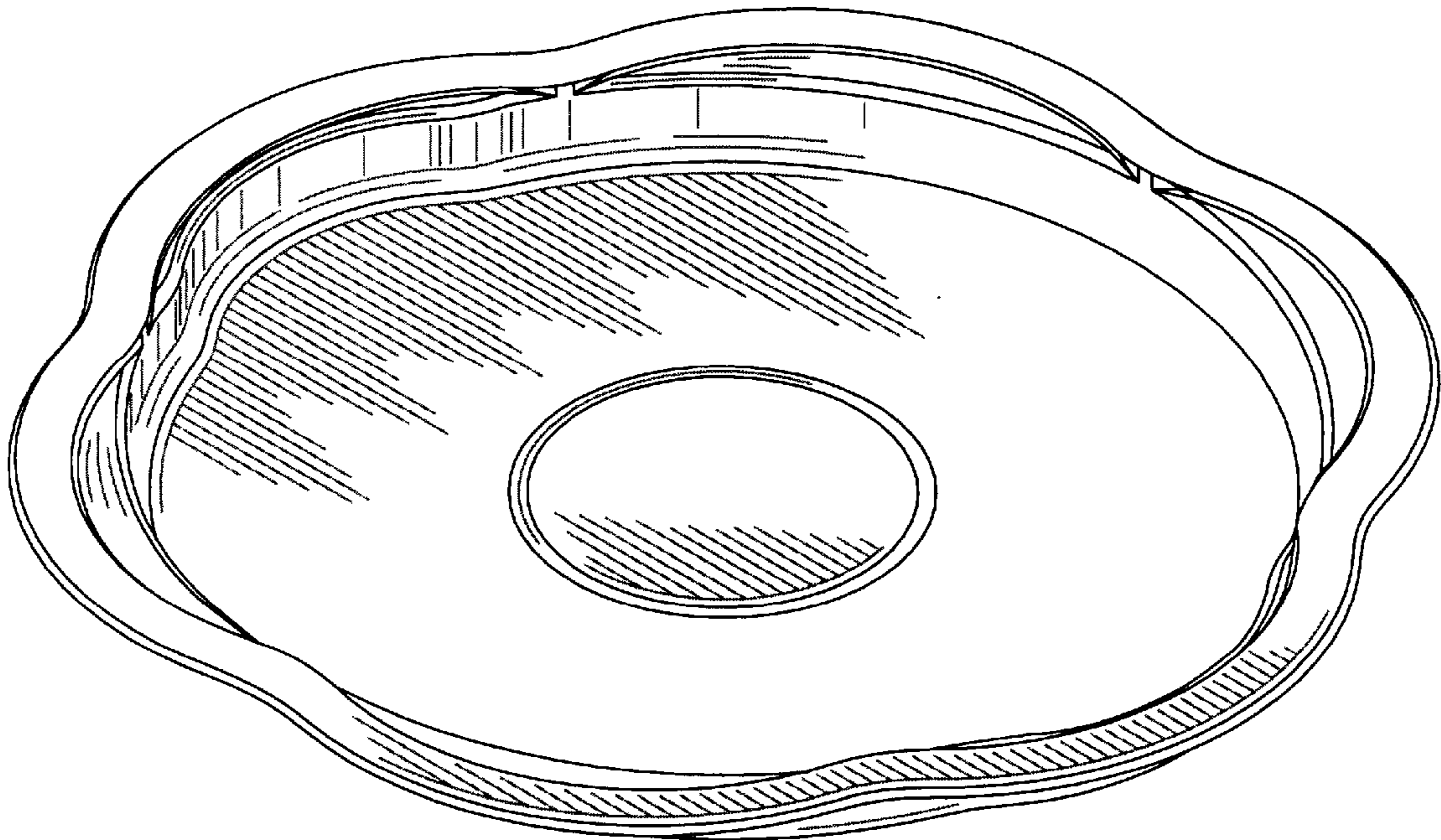
(57) **CLAIM**

The ornamental design for a rotating food server, as shown and described.

DESCRIPTION

FIG. 1 is a top, side and front perspective view of a rotating food server showing the new design;
FIG. 2 is a front elevation view thereof;
FIG. 3 is a rear elevation view thereof;
FIG. 4 is a right side elevation view thereof;
FIG. 5 is a left side elevation view thereof;
FIG. 6 is a top plan view thereof; and,
FIG. 7 is a bottom plan view thereof.

1 Claim, 3 Drawing Sheets



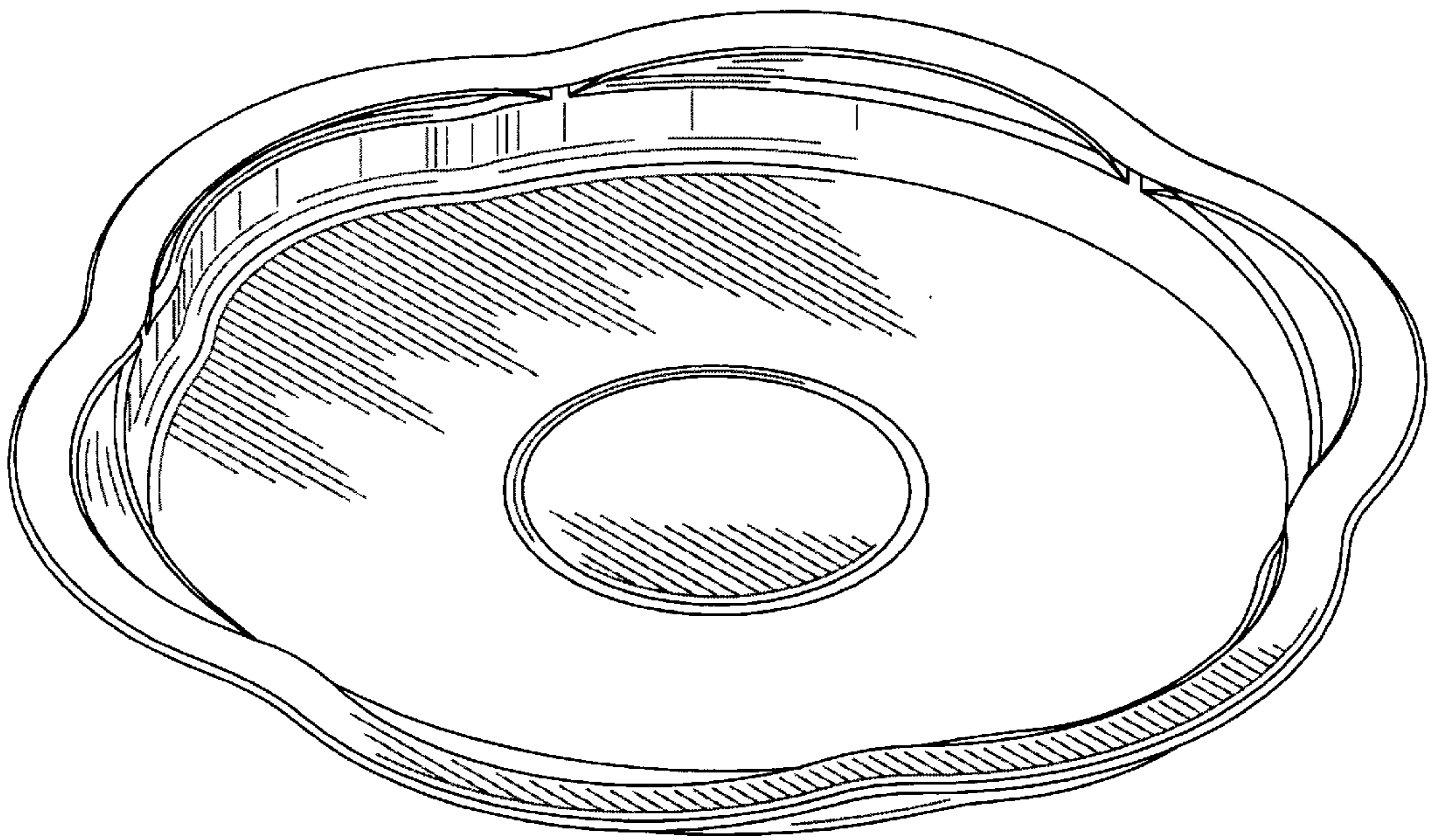


FIG. 1

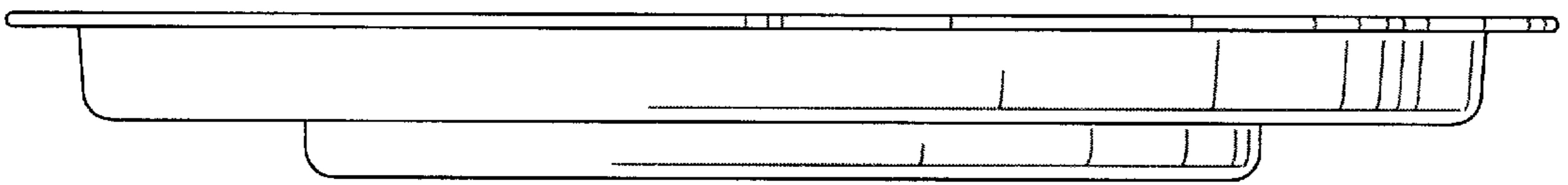


FIG. 2

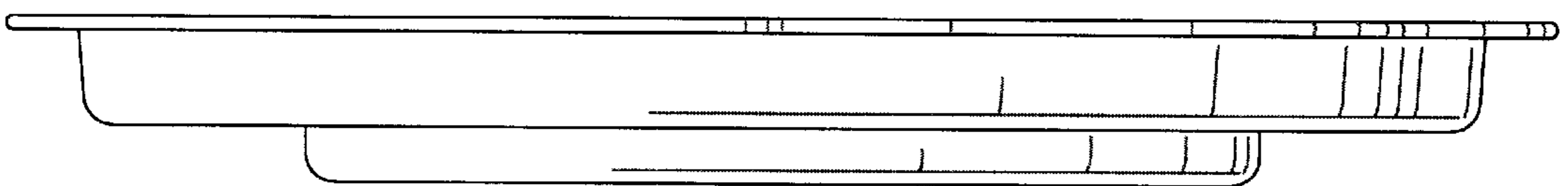


FIG. 3

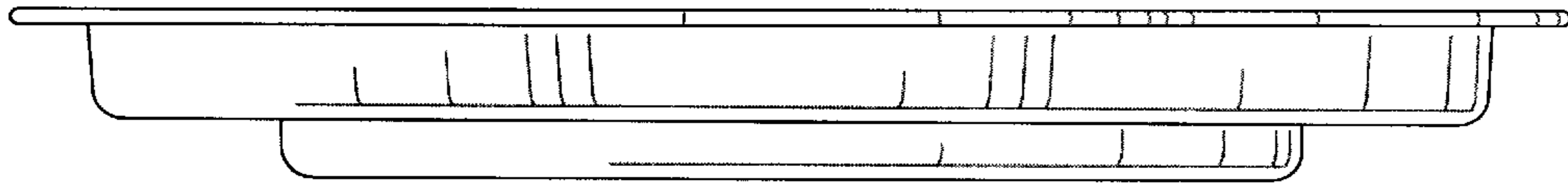


FIG. 4

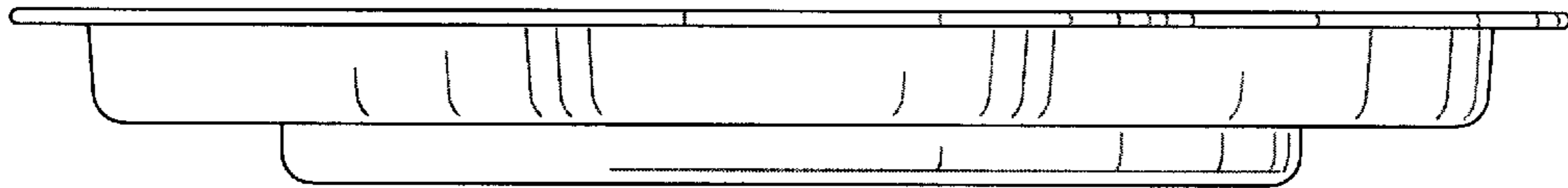


FIG. 5

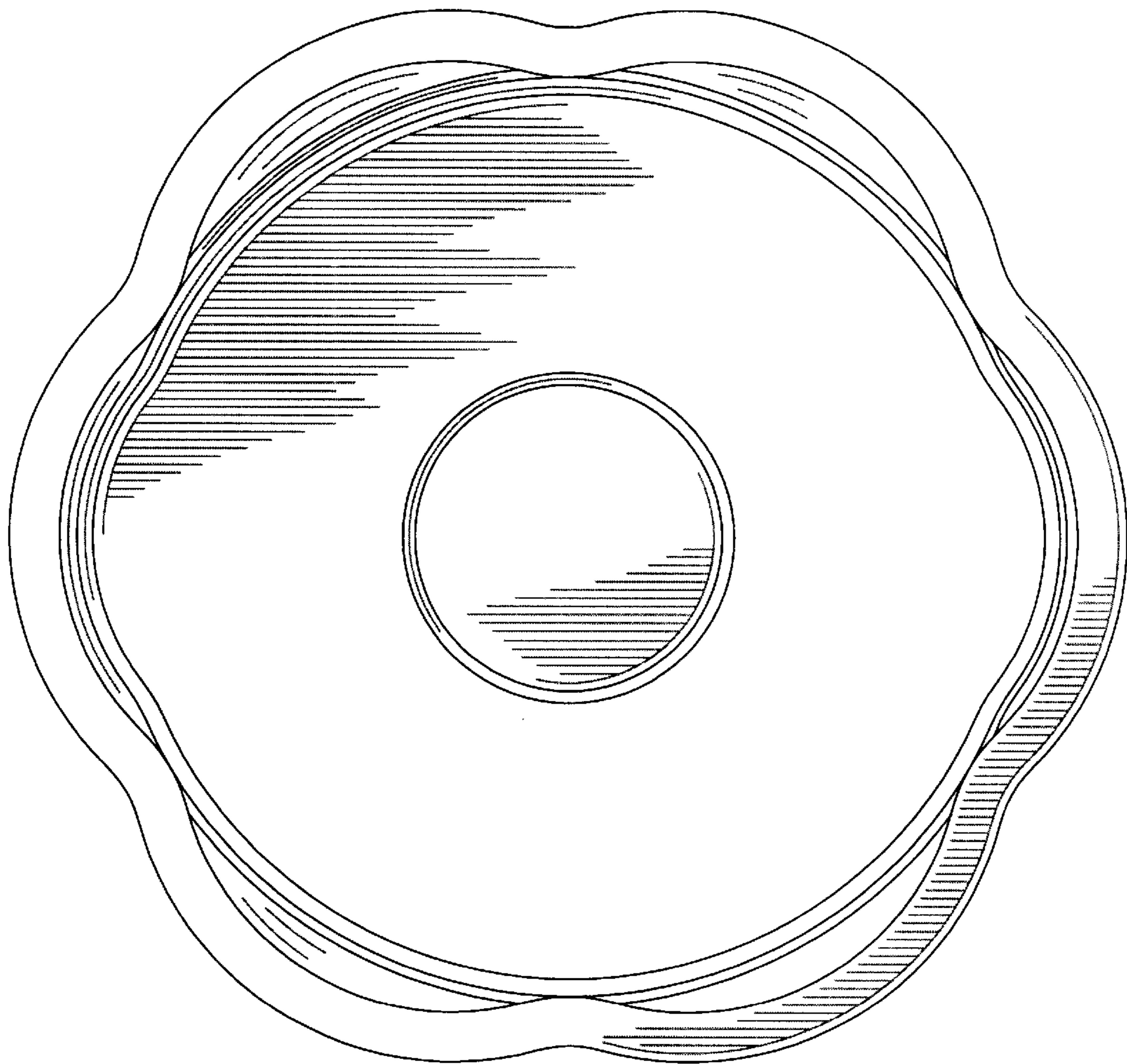


FIG. 6

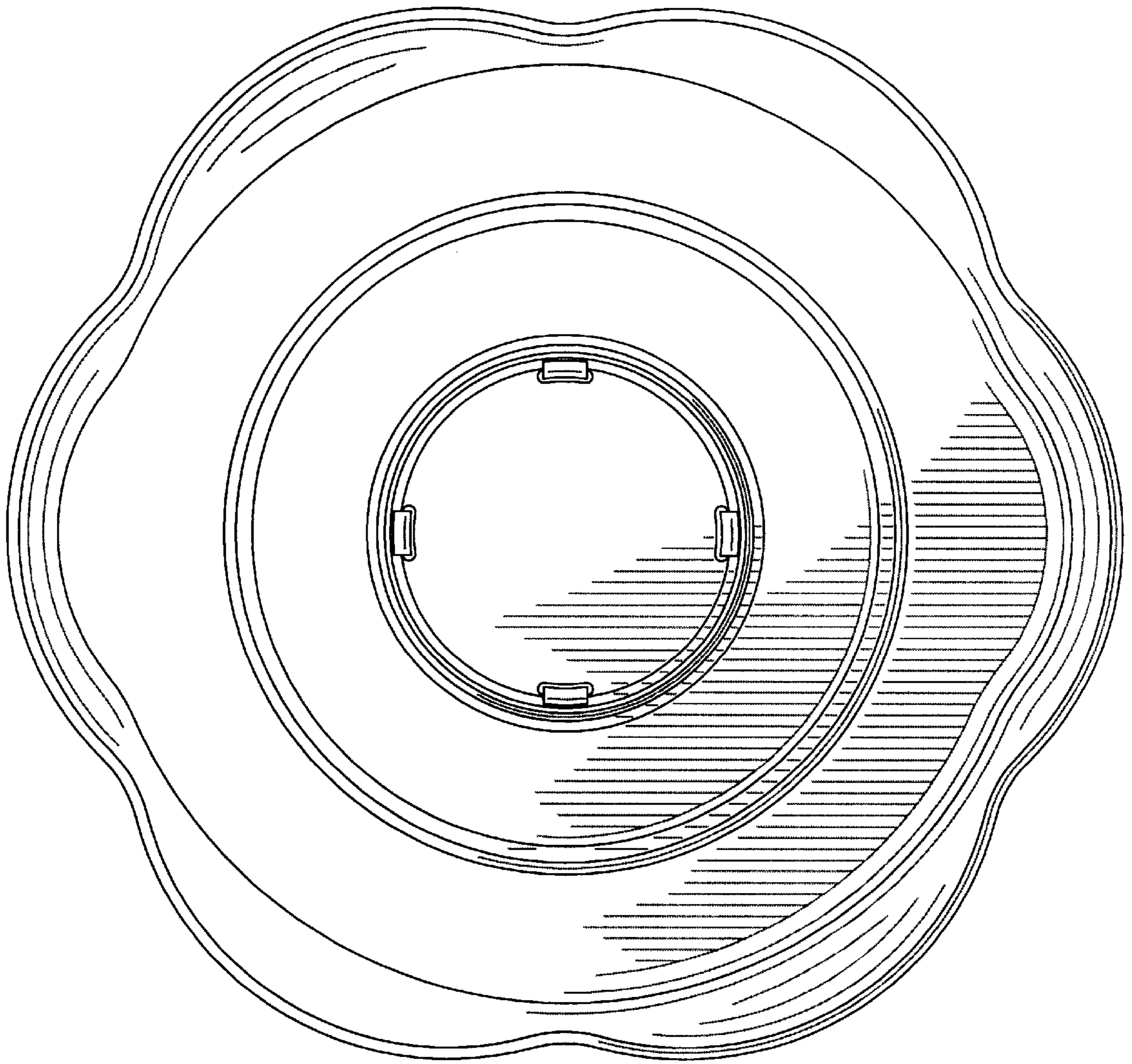


FIG. 7