



US00D450217B1

(12) **United States Design Patent**
Rae

(10) **Patent No.:** **US D450,217 S**

(45) **Date of Patent:** **** Nov. 13, 2001**

(54) **SET OF HANDLES FOR AN ARTICLE OF COOKWARE**

(75) Inventor: **Robert Allen Rae, Hong Kong (HK)**

(73) Assignee: **Meyer Manufacturing Company Limited, Hong Kong (HK)**

(**) Term: **14 Years**

(21) Appl. No.: **29/117,042**

(22) Filed: **Jan. 13, 2000**

(51) **LOC (7) Cl.** **07-02**

(52) **U.S. Cl.** **D7/393**

(58) **Field of Search** D7/354-361, 393-395;
16/110.1, 430, 431, 444, DIG. 12, DIG. 18,
DIG. 19; 220/752, 753

(56) **References Cited**

U.S. PATENT DOCUMENTS

D. 140,046	*	1/1945	Behl	D7/394
D. 407,600	*	4/1999	LoGiudice	D7/395
D. 426,107	*	6/2000	Cheng	D7/393

* cited by examiner

Primary Examiner—Caron D. Veynar
(74) *Attorney, Agent, or Firm*—Blakely Sokoloff Taylor & Zafman

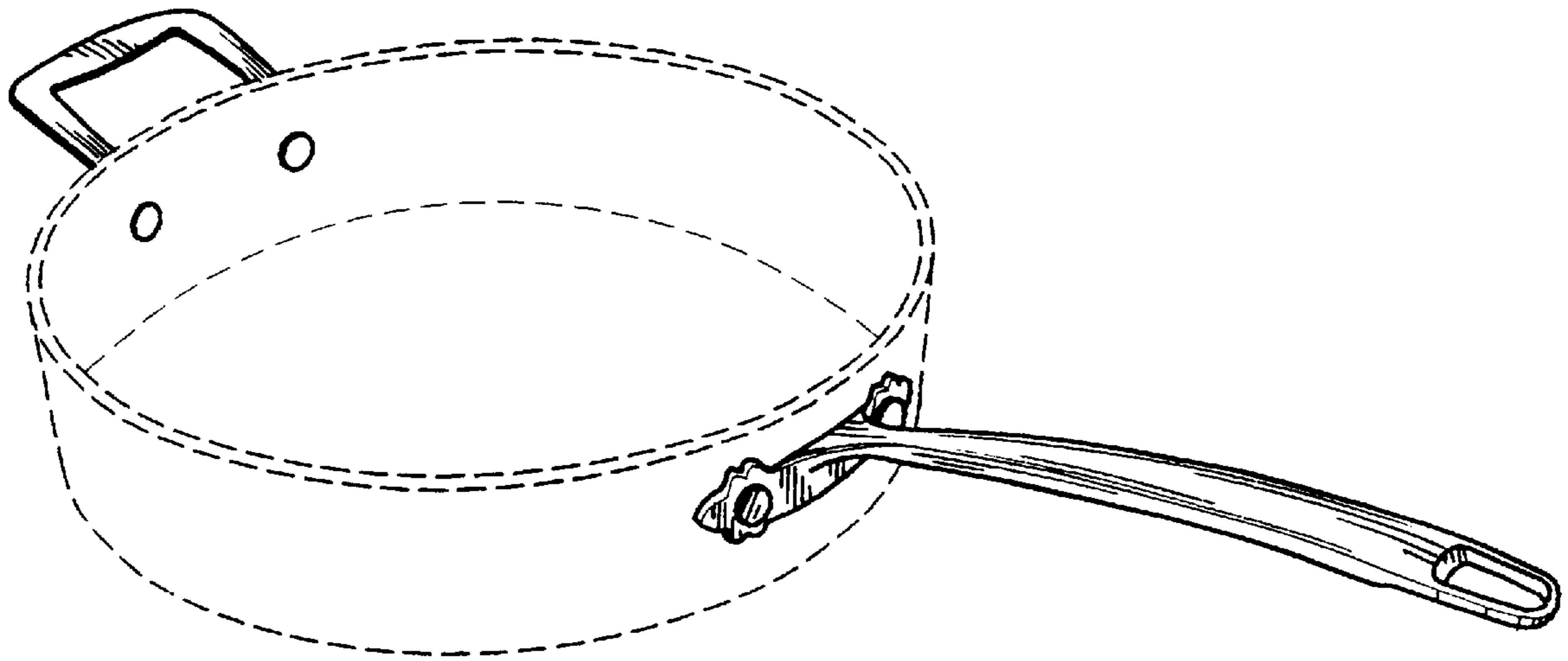
(57) **CLAIM**

The ornamental design for a set of handles for an article of cookware, as shown and described.

DESCRIPTION

FIG. 1 is a perspective view of a set of handles for an article of cookware showing my new design; FIG. 2 is a top plan view thereof; FIG. 3 is a bottom plan view thereof; FIG. 4 is a right side elevational view thereof; FIG. 5 is a left side elevational view thereof; FIG. 6 is a front elevational view thereof; FIG. 7 is a rear elevational view thereof; FIG. 8 is an enlarged front perspective view showing the small handle separately for ease of illustration; and, FIG. 9 is an enlarged rear perspective view showing the elongated handle separately for ease of illustration. The “article of cookware” shown in phantom lines depicts the environment of my new design and forms no part of the design of my invention.

1 Claim, 5 Drawing Sheets



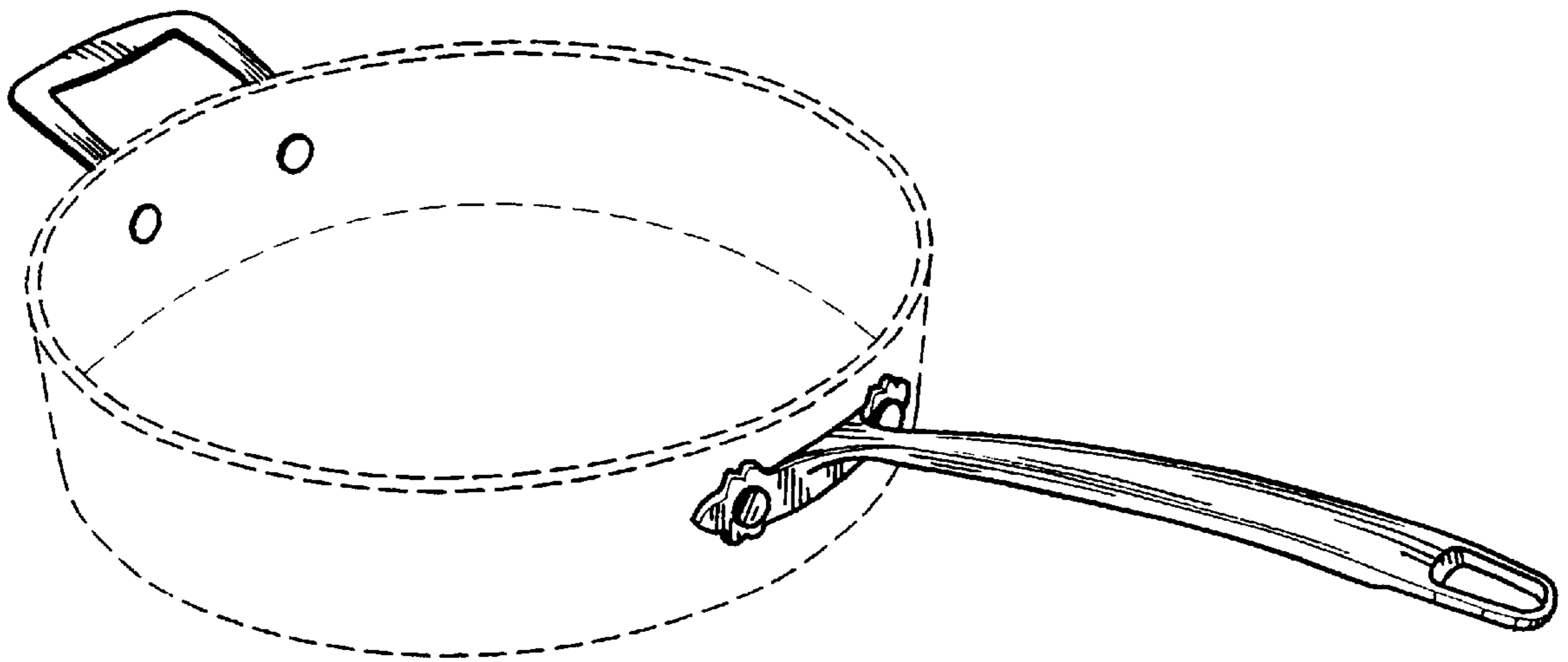


FIG. 1

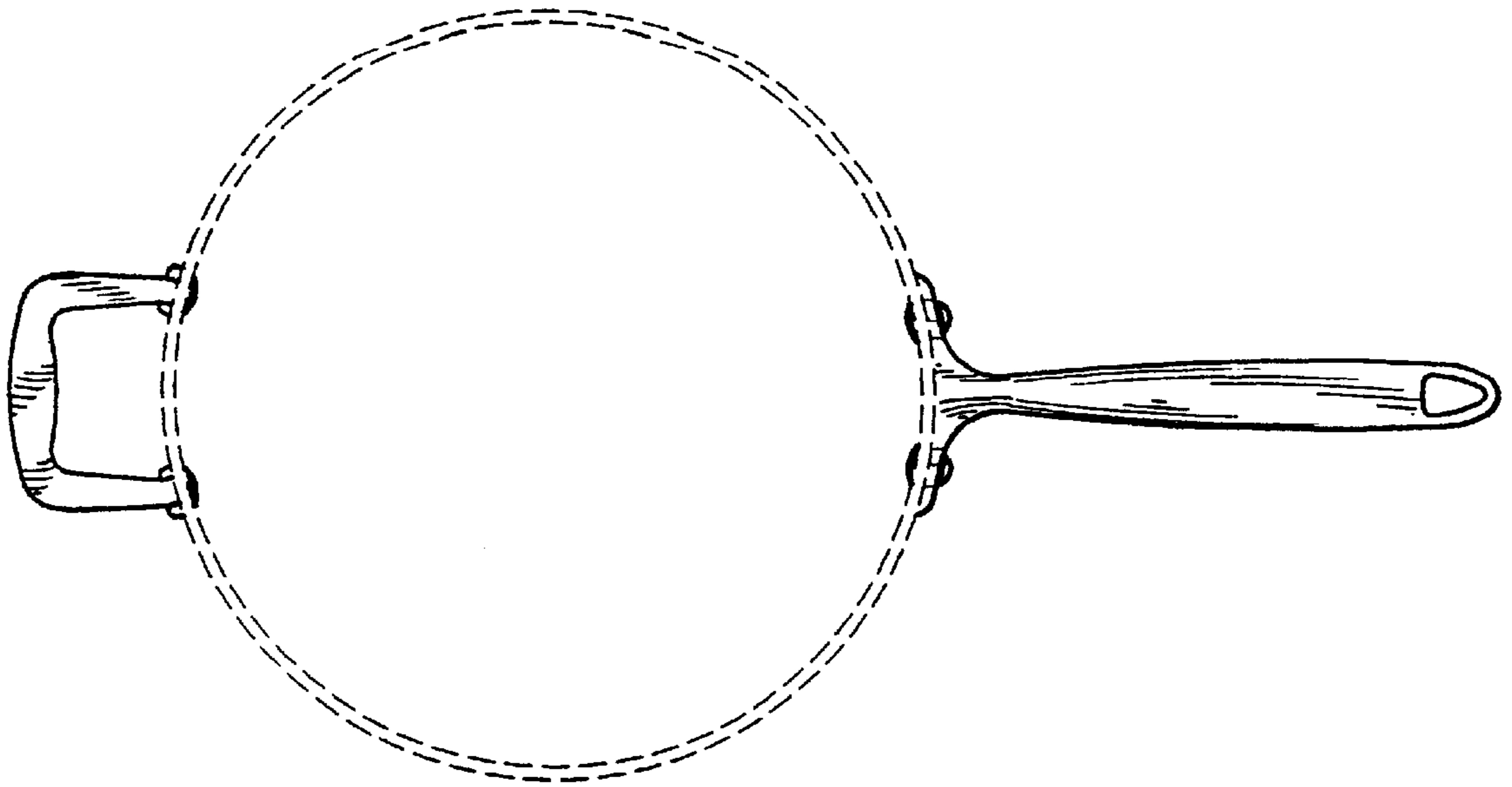


FIG. 2

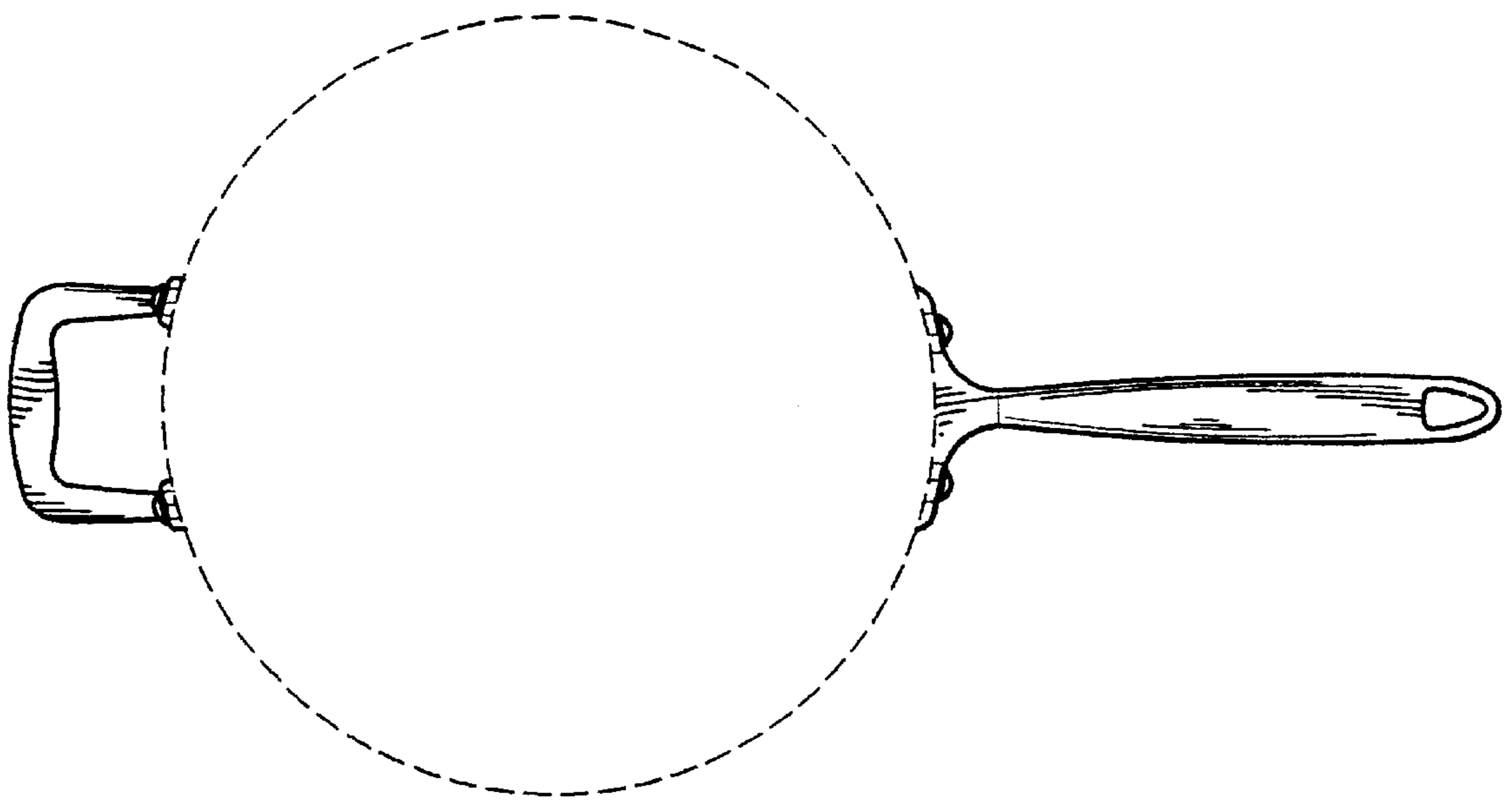


FIG. 3

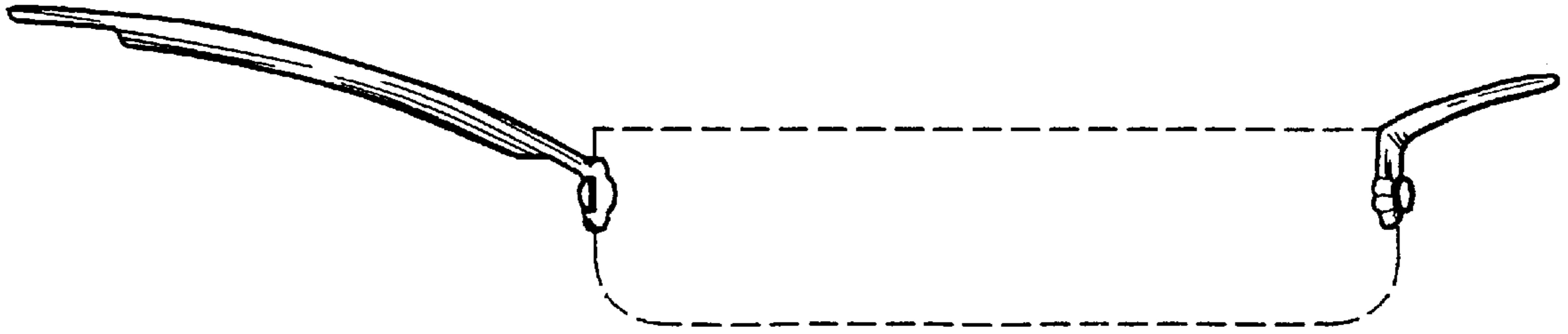


FIG. 4

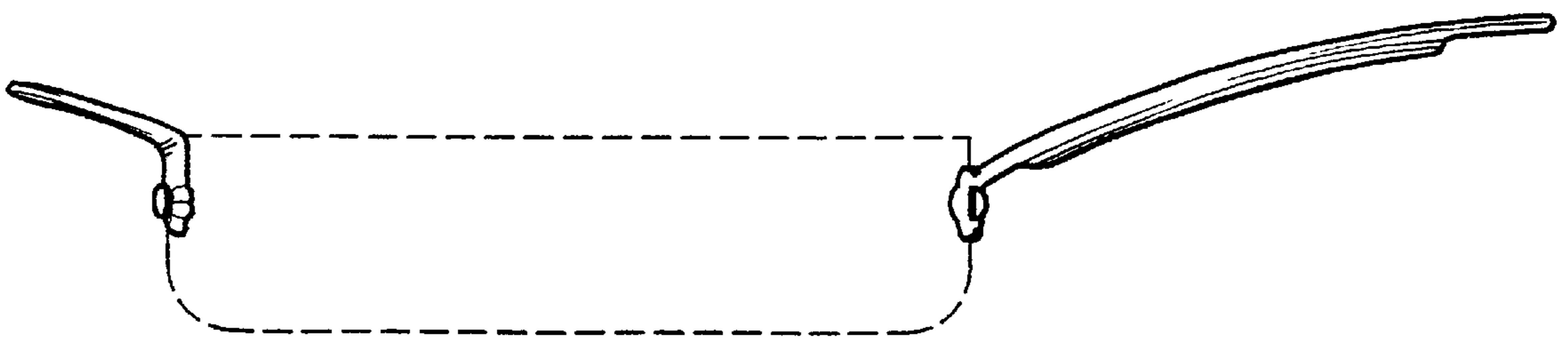


FIG. 5

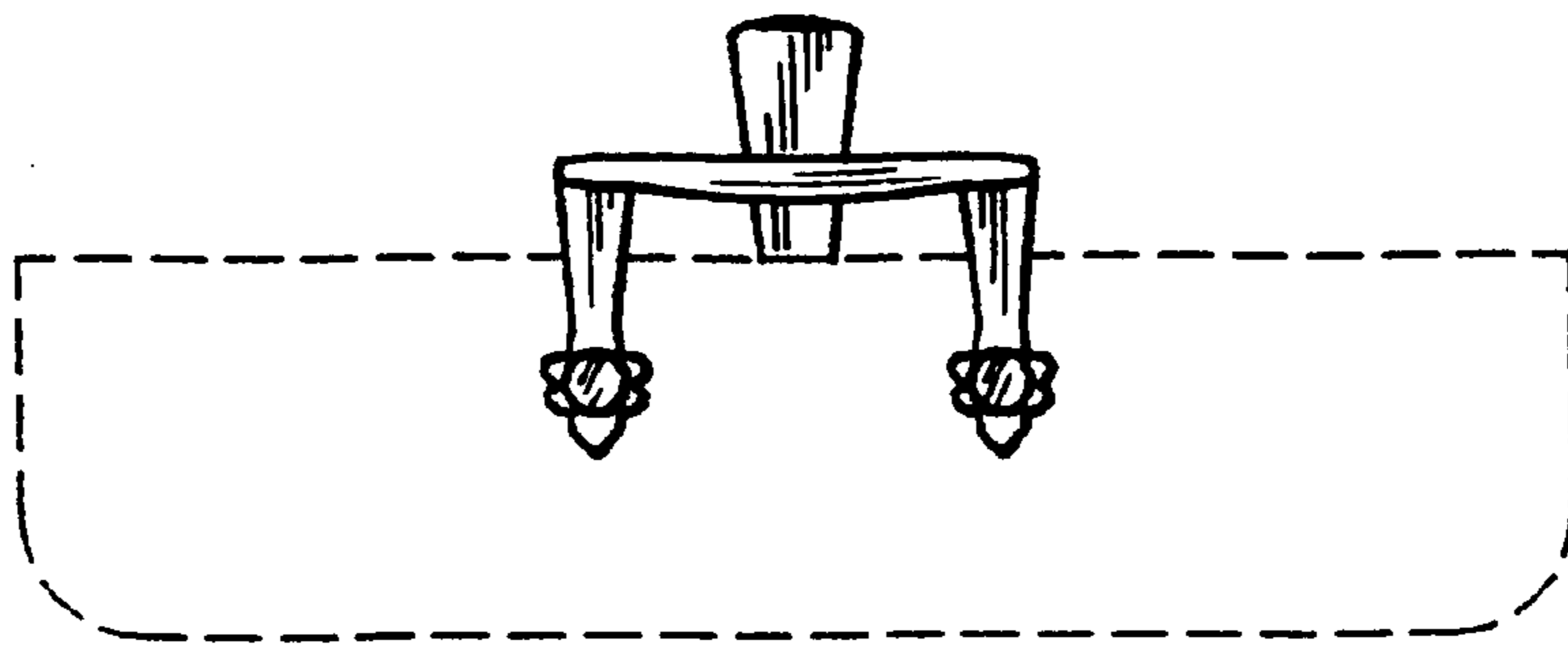


FIG. 6

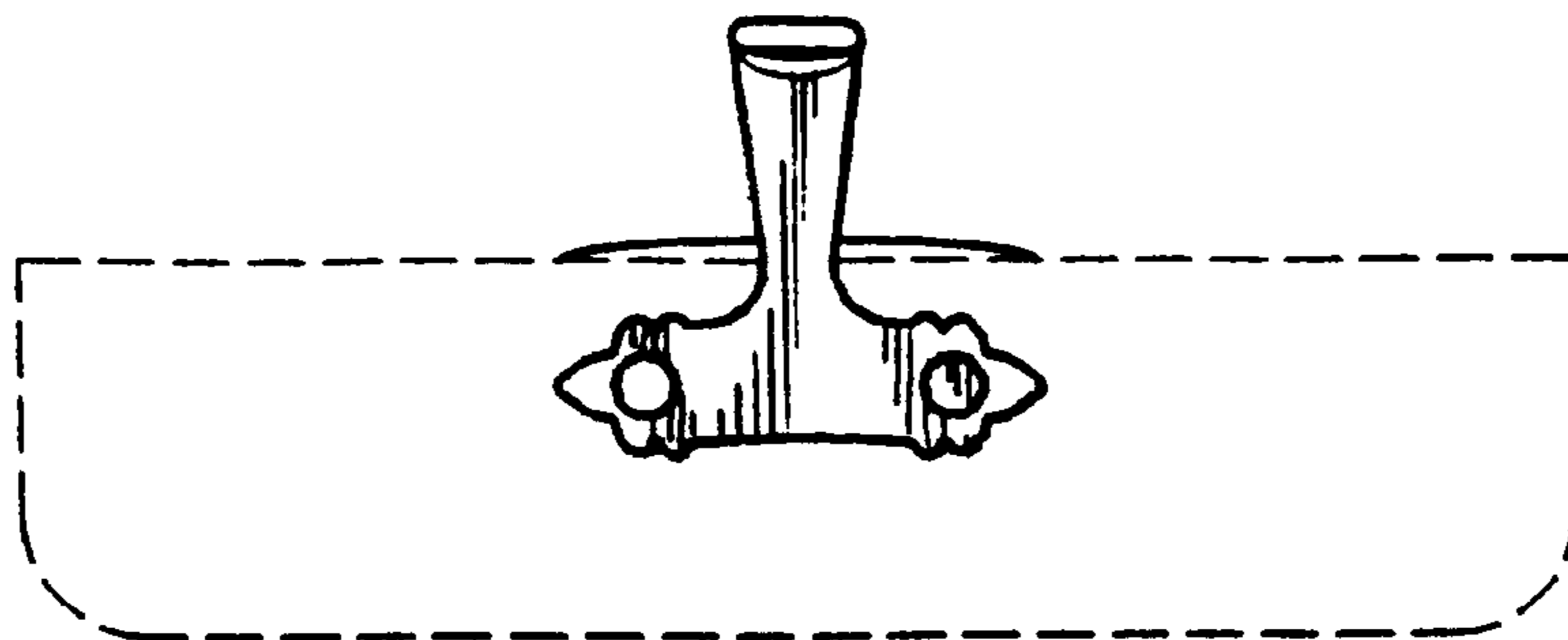


FIG. 7

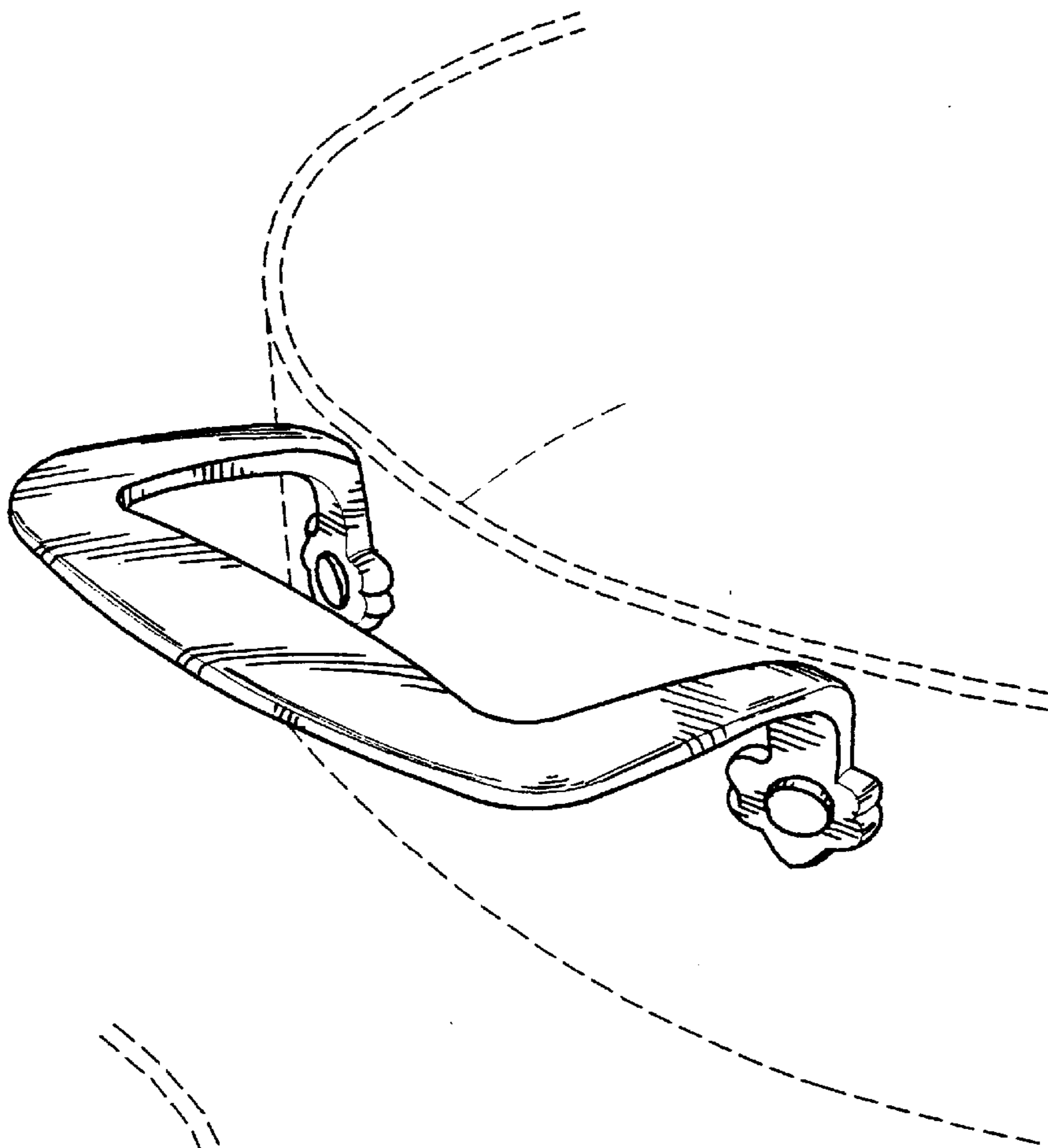


FIG. 8

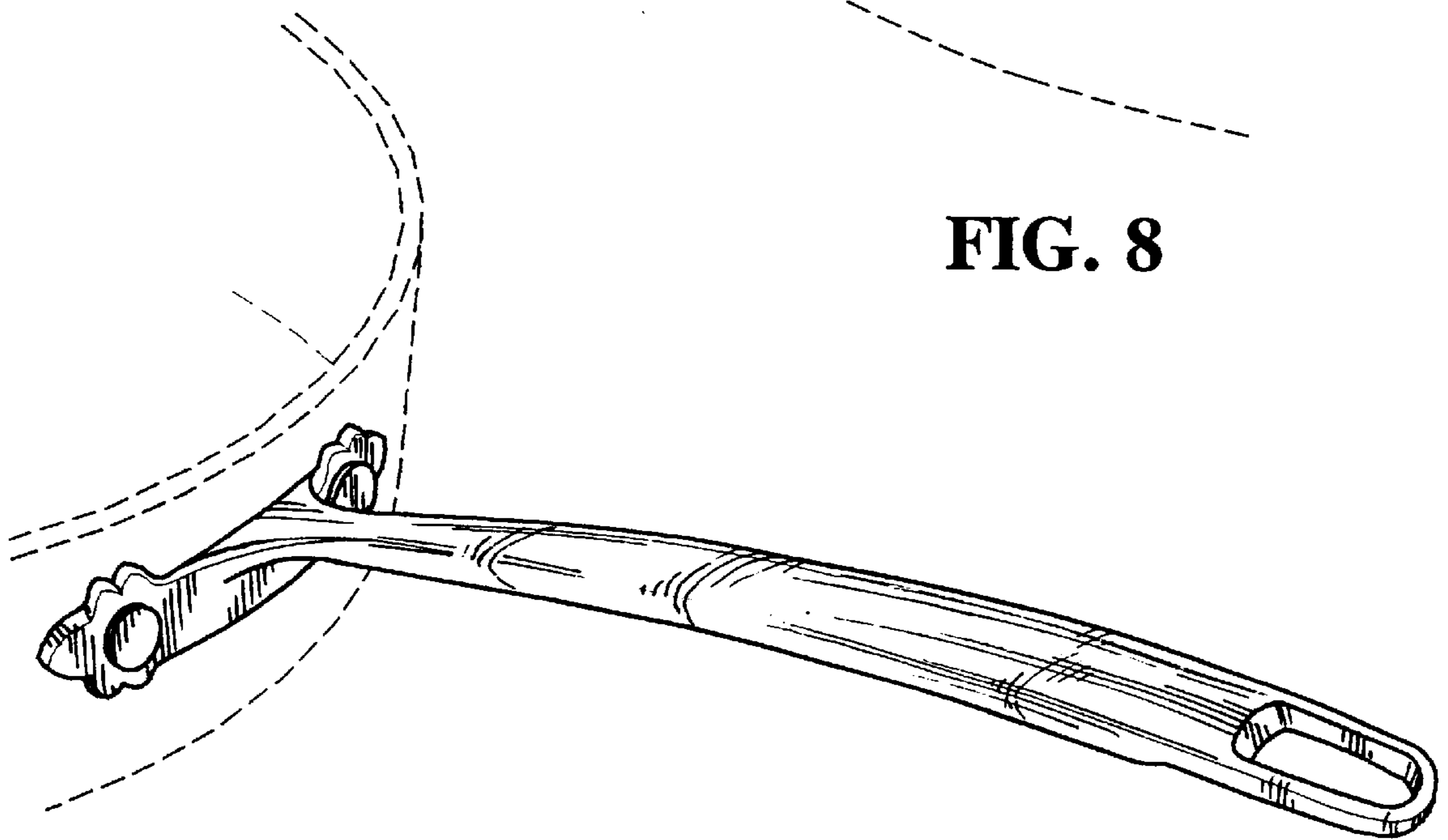


FIG. 9