



US00D450215B1

(12) **United States Design Patent**  
**Wood et al.**

(10) **Patent No.: US D450,215 S**

(45) **Date of Patent: \*\* Nov. 13, 2001**

- (54) **GRILL**
- (75) Inventors: **Brian Wood, McKinney; Stan Williams, Dallas, both of TX (US); Tom Cella, Greenwood, LA (US)**
- (73) Assignee: **The Brinkmann Corporation, Dallas, TX (US)**
- (\*\*) Term: **14 Years**

4,840,118	*	6/1989	Rinehart	99/446
4,979,437		12/1990	Giebel	99/345
5,033,449		7/1991	Hanagan	126/39 BA
5,109,834	*	5/1992	Collins et al.	126/41 R
5,242,703		9/1993	Stewart	426/523
5,284,671		2/1994	Stewart	426/523
5,313,877		5/1994	Holland	99/446
5,327,879	*	7/1994	Ferraro	126/41 R
5,529,798		6/1996	Clark et al.	426/523
5,761,990		6/1998	Stewart et al.	99/401
5,782,166		7/1998	Lin	99/340

- (21) Appl. No.: **29/125,961**
- (22) Filed: **Jun. 28, 2000**
- (51) **LOC (7) Cl. 07-02**
- (52) **U.S. Cl. D7/334**
- (58) **Field of Search** D7/332-337, 402-404, D7/406; 126/31 R, 40, 50, 9 R, 25 R, 25 A, 25 AA, 29-30, 37 R, 38, 332

\* cited by examiner

*Primary Examiner*—Ruth McInroy

(74) *Attorney, Agent, or Firm*—Sheppard, Mullin, Richter & Hampton LLP

(57) **CLAIM**

We claim the ornamental design for a grill, as shown and described.

(56) **References Cited**

**DESCRIPTION**

**U.S. PATENT DOCUMENTS**

Re. 32,754	9/1988	Hahn	126/25 R
D. 206,738	1/1967	Wilkinson	D81/10
D. 324,622	* 3/1992	Baynes et al.	D7/334
D. 362,153	* 9/1995	Home	D7/334
D. 381,868	8/1997	Schmitt et al.	D7/402
D. 406,490	* 3/1999	Daniels et al.	D7/334
D. 426,101	* 6/2000	Pai	D7/334
D. 430,772	* 9/2000	Ganard	D7/334
D. 437,177	* 2/2001	Giebel et al.	D7/334
3,380,444	4/1968	Stalker	126/25
4,492,215	1/1985	DiGianvittorio	126/9 R
4,718,399	1/1988	Sheperd	126/25 R
4,773,319	9/1988	Holland	99/446

FIG. 1 is a perspective view of a grill showing our new design;  
 FIG. 2 is a front elevational view thereof;  
 FIG. 3 is a left side elevational view thereof;  
 FIG. 4 is a right side elevational view thereof;  
 FIG. 5 is a rear elevational view thereof;  
 FIG. 6 is a top plan view thereof; and,  
 FIG. 7 is a bottom plan view thereof.  
 The broken line showing of vents and a thermometer is for illustrative purposes only and forms no part of the claimed design.

**1 Claim, 4 Drawing Sheets**

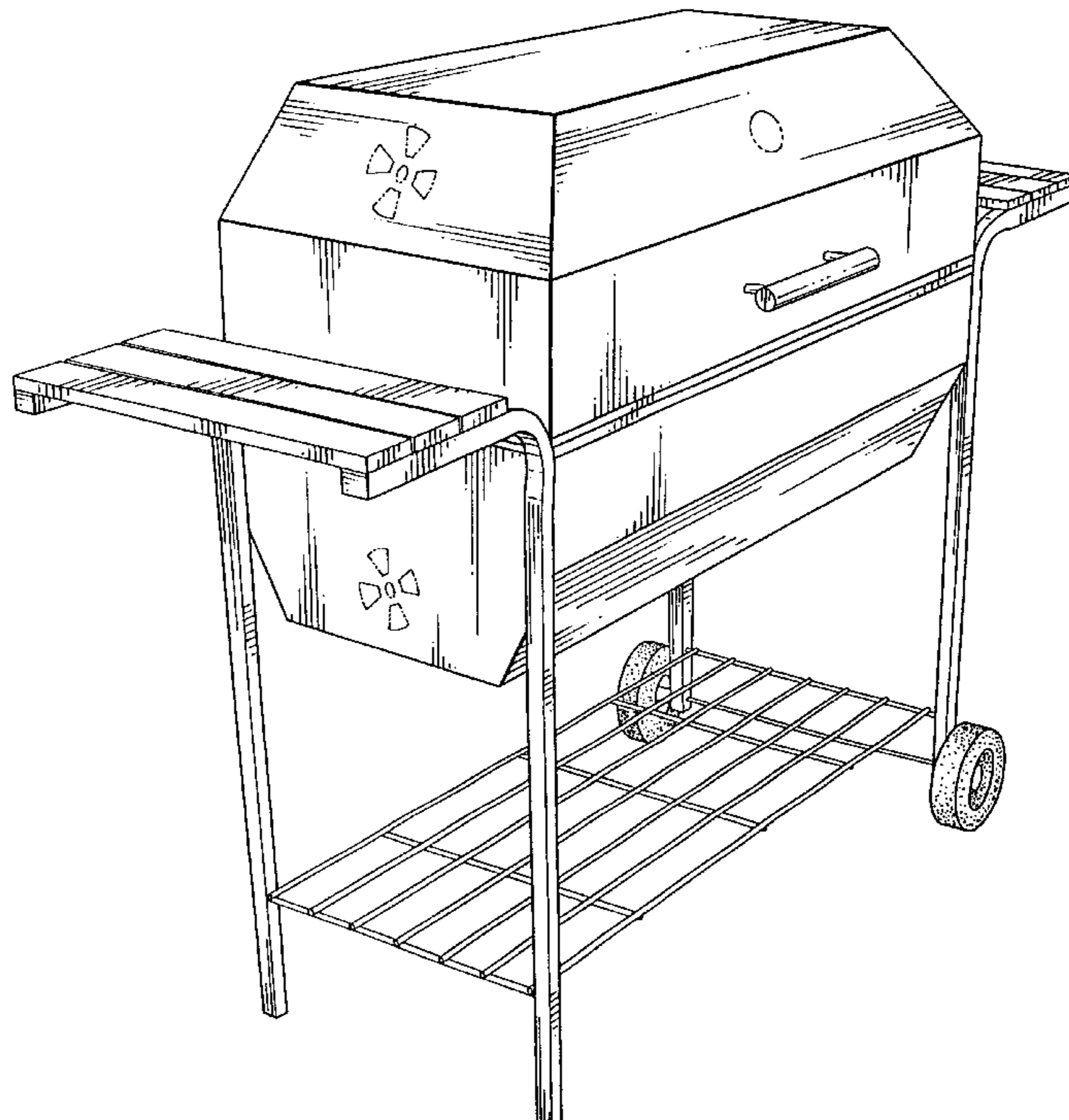


FIG. 1

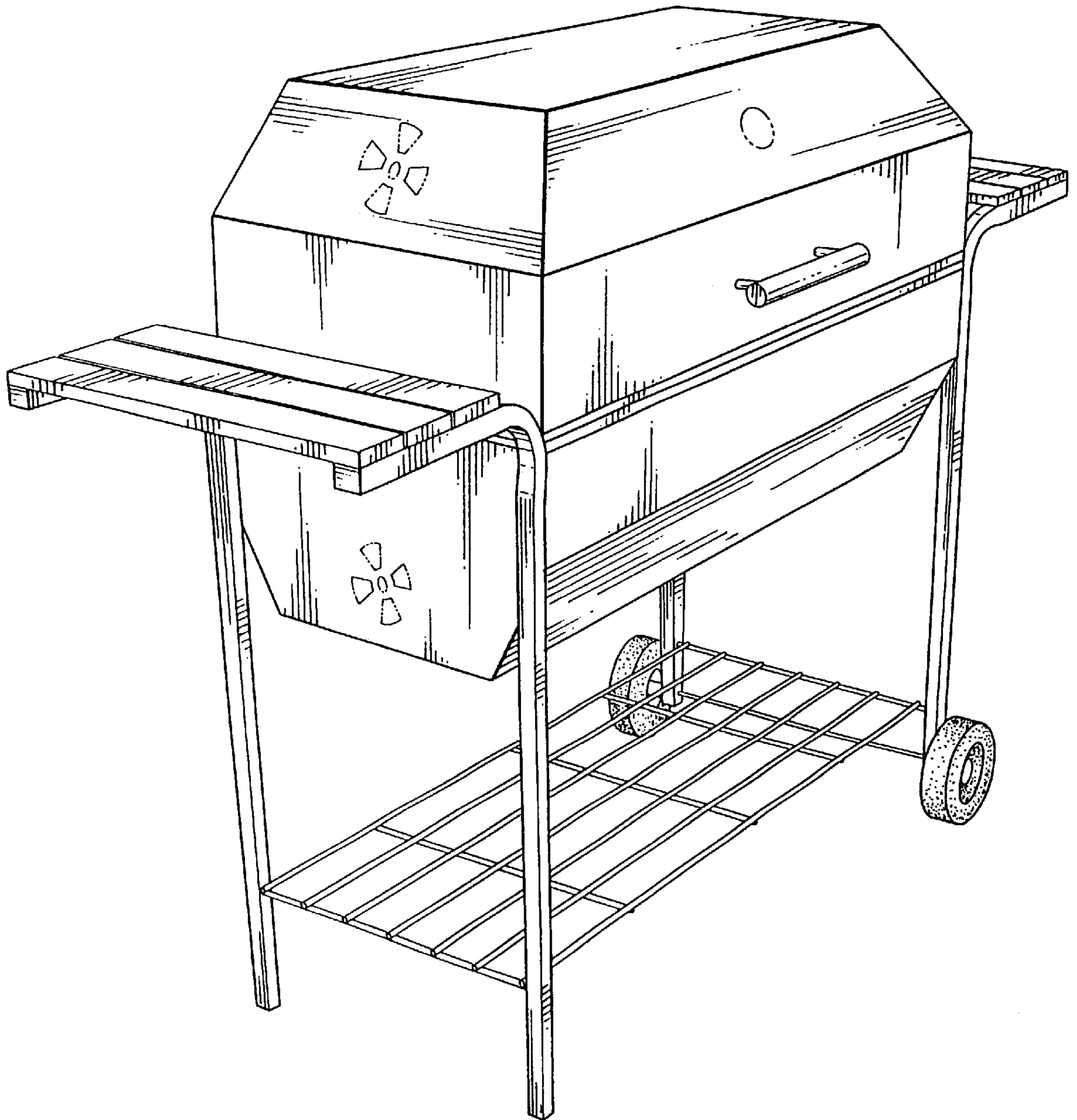


FIG. 2

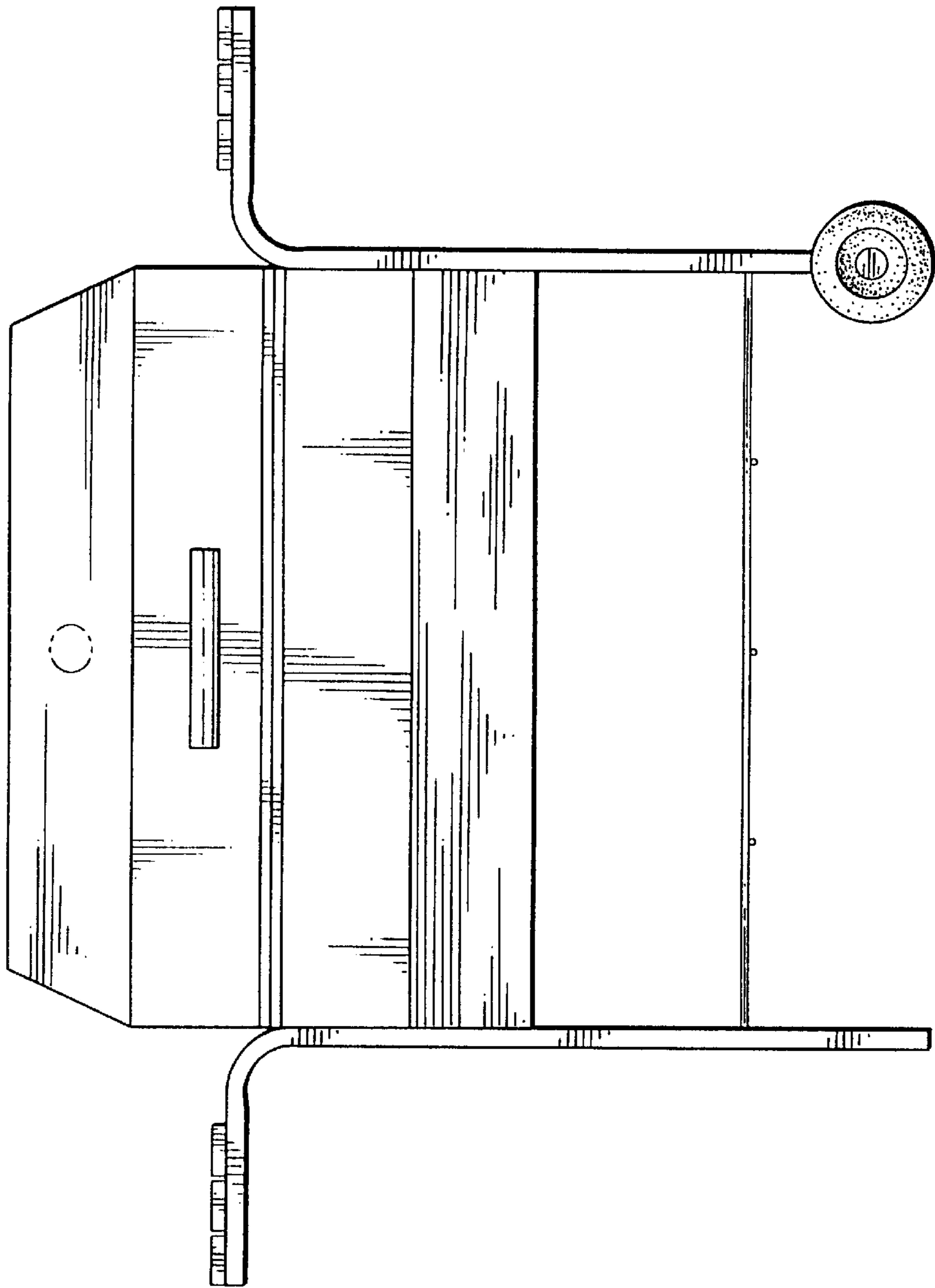
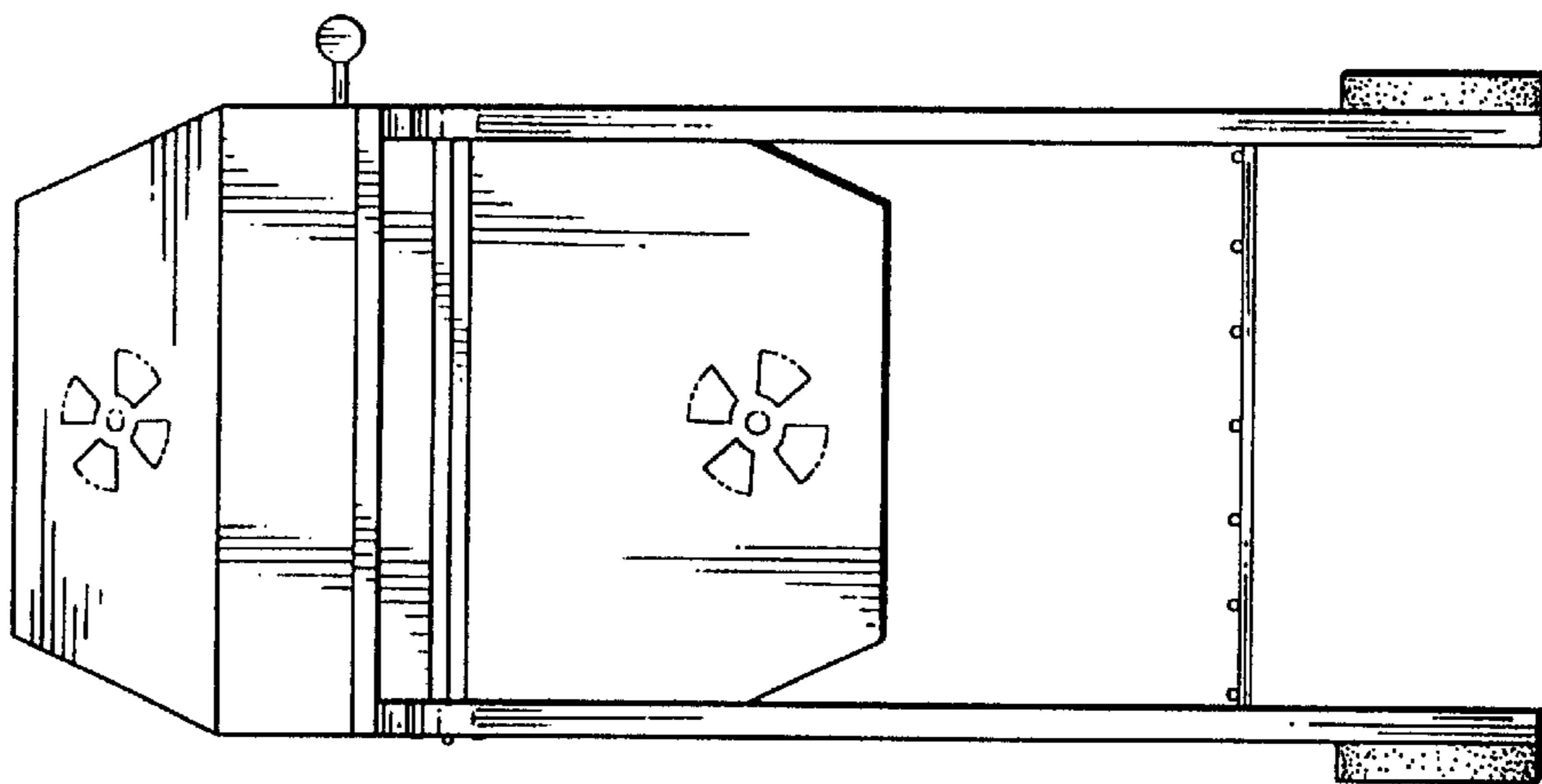


FIG. 3



3/4

FIG. 4

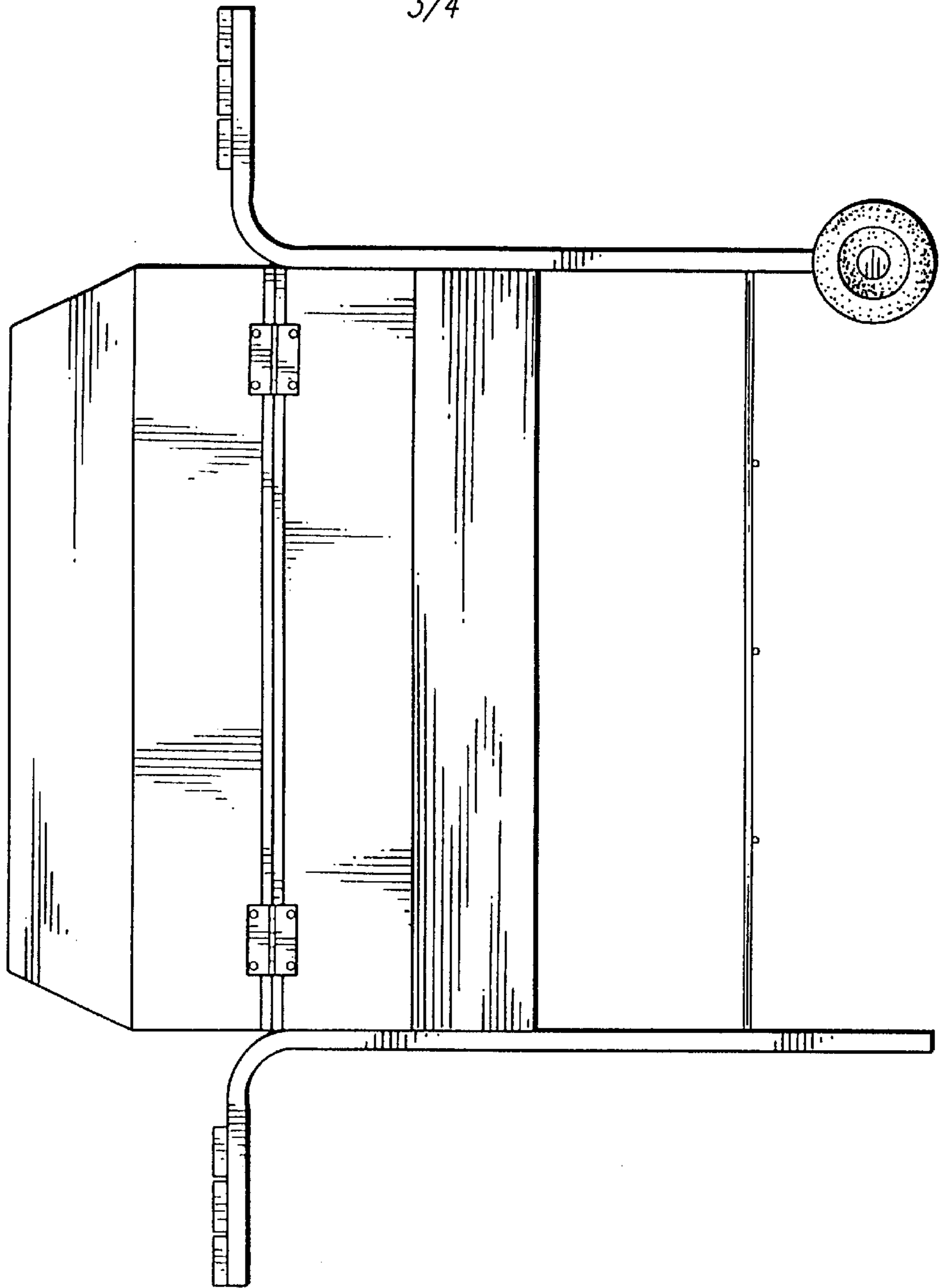


FIG. 5

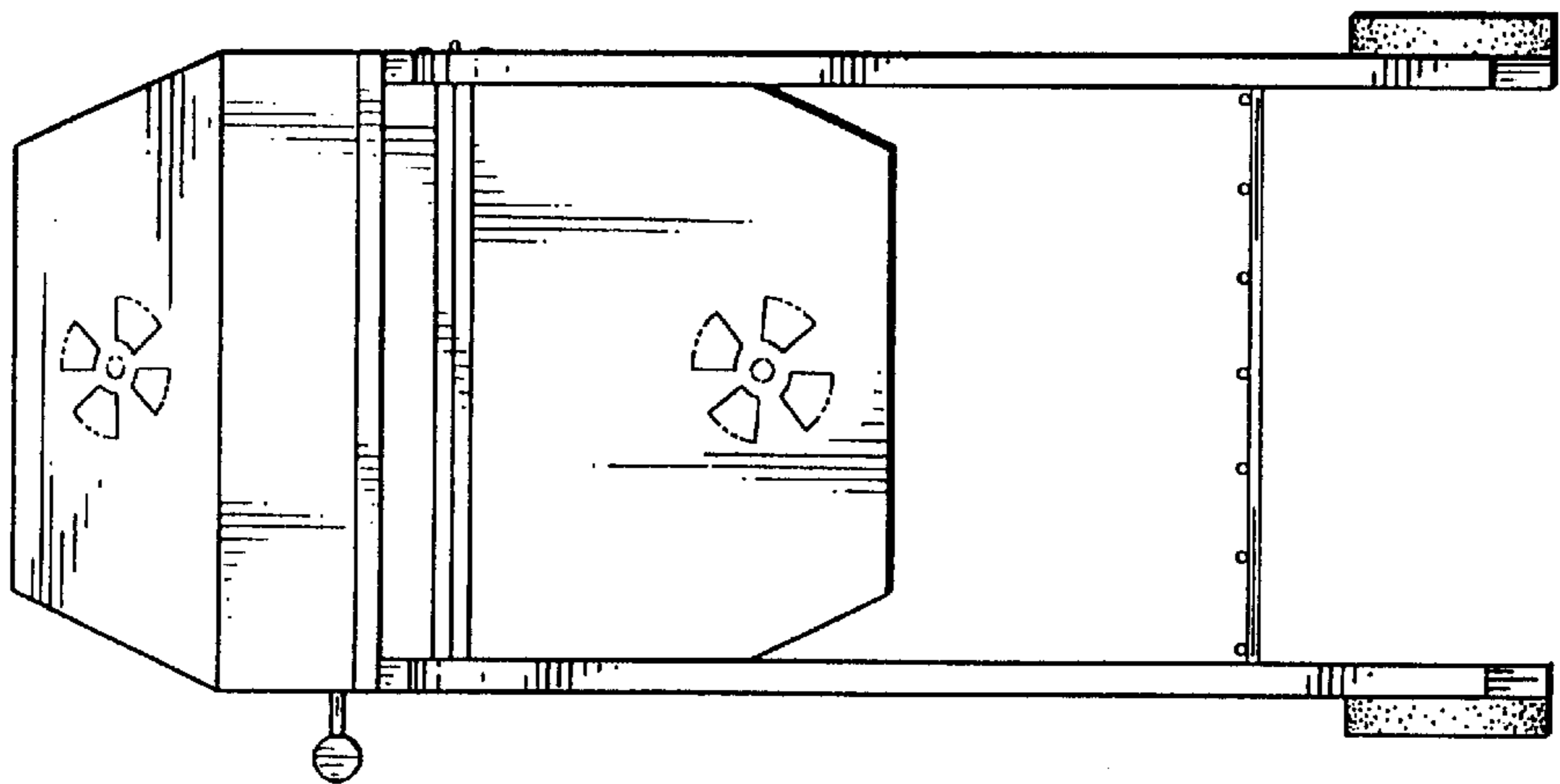


FIG. 6

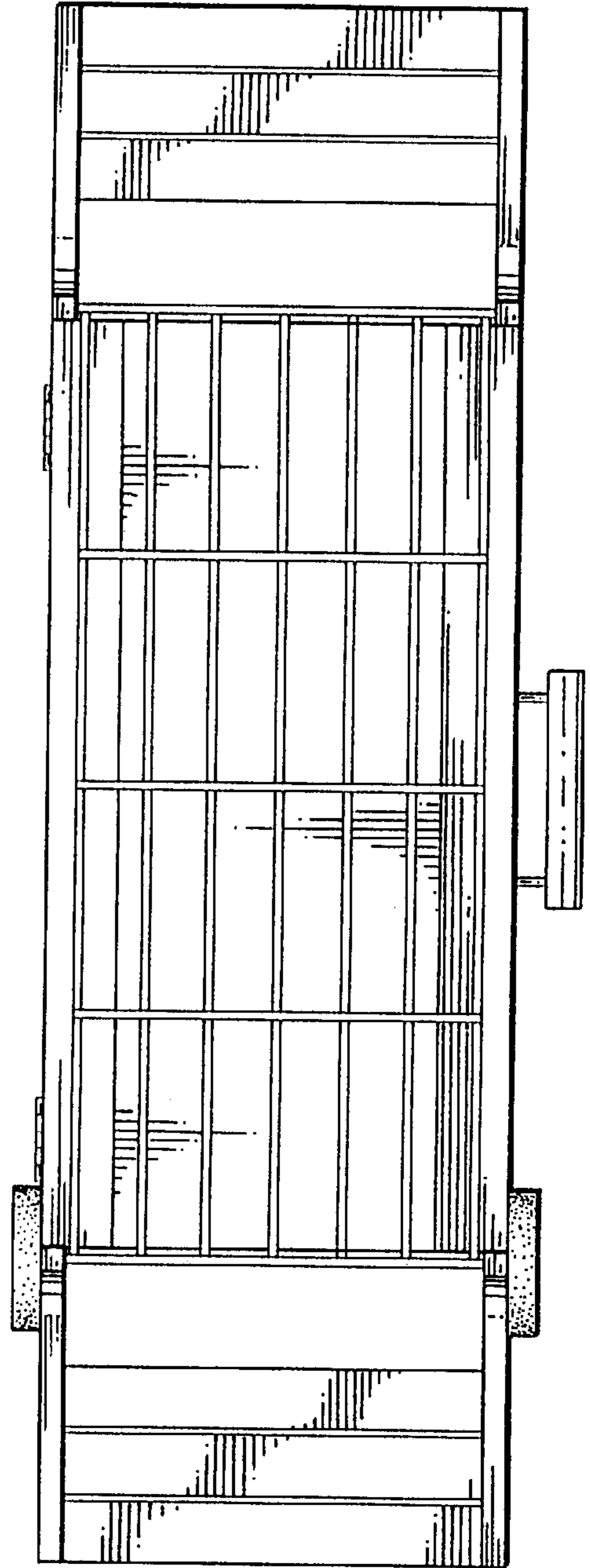
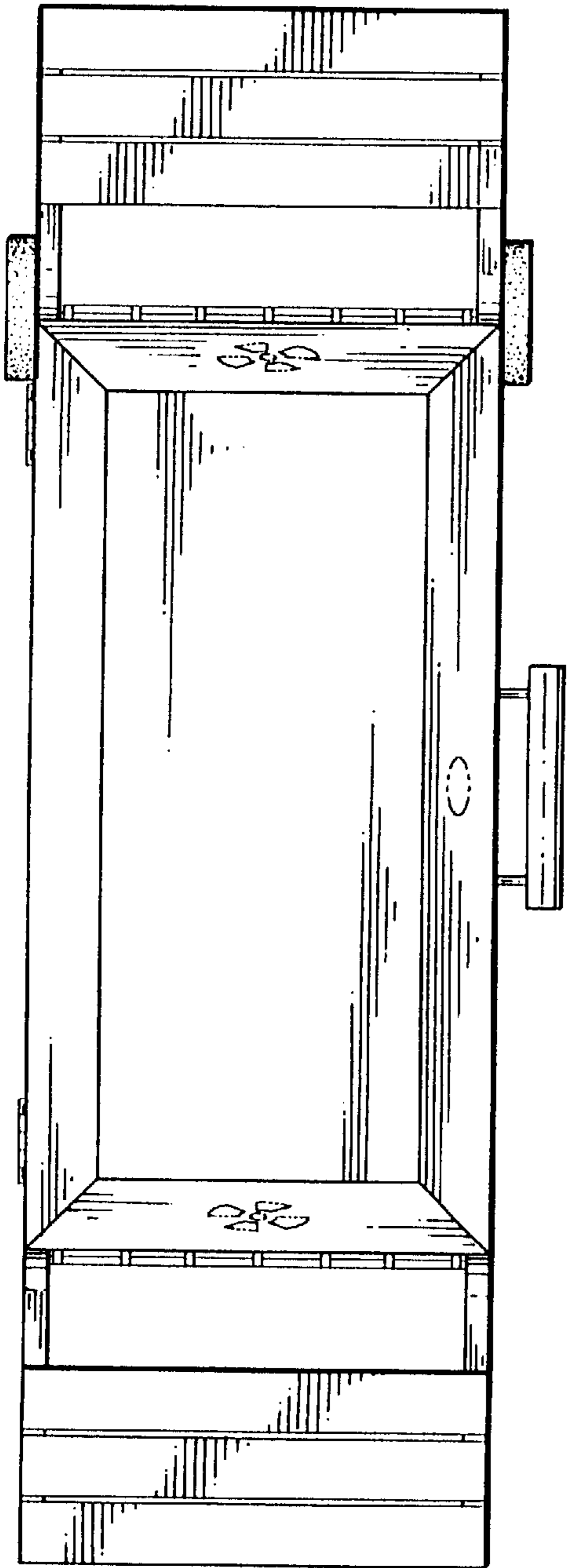


FIG. 7