



US00D450213B1

(12) **United States Design Patent**
Snell

(10) **Patent No.:** **US D450,213 S**

(45) **Date of Patent:** **** Nov. 13, 2001**

(54) **RECTANGULAR BASKET HELD BY SUCTION CUPS**

(75) Inventor: **Russell Benton Snell**, Shaker Heights, OH (US)

(73) Assignee: **InterDesign, Inc.**, Solon, OH (US)

(**) Term: **14 Years**

(21) Appl. No.: **29/134,463**

(22) Filed: **Dec. 20, 2000**

(51) **LOC (7) Cl.** **06-04**

(52) **U.S. Cl.** **D6/566**

(58) **Field of Search** D6/566, 524-5, D6/537, 553, 567; D3/304-7; 206/77.1, 207, 557; 211/10, 13.1, 71.01, 86.01, 87.01, 90.01, 90.03, 126.1, 133.5, 134, 181.1

(56) **References Cited**

U.S. PATENT DOCUMENTS

- D. 362,780 * 10/1995 Hampshire D6/525 X
- D. 364,297 * 11/1995 Daniel D6/566 X
- D. 373,039 * 8/1996 Cohen et al. D6/566
- D. 396,770 * 8/1998 Hoernig D6/566

* cited by examiner

Primary Examiner—Brian N. Vinson
(74) *Attorney, Agent, or Firm*—D. Peter Hochberg; Katherine R. Vieyra; William H. Holt

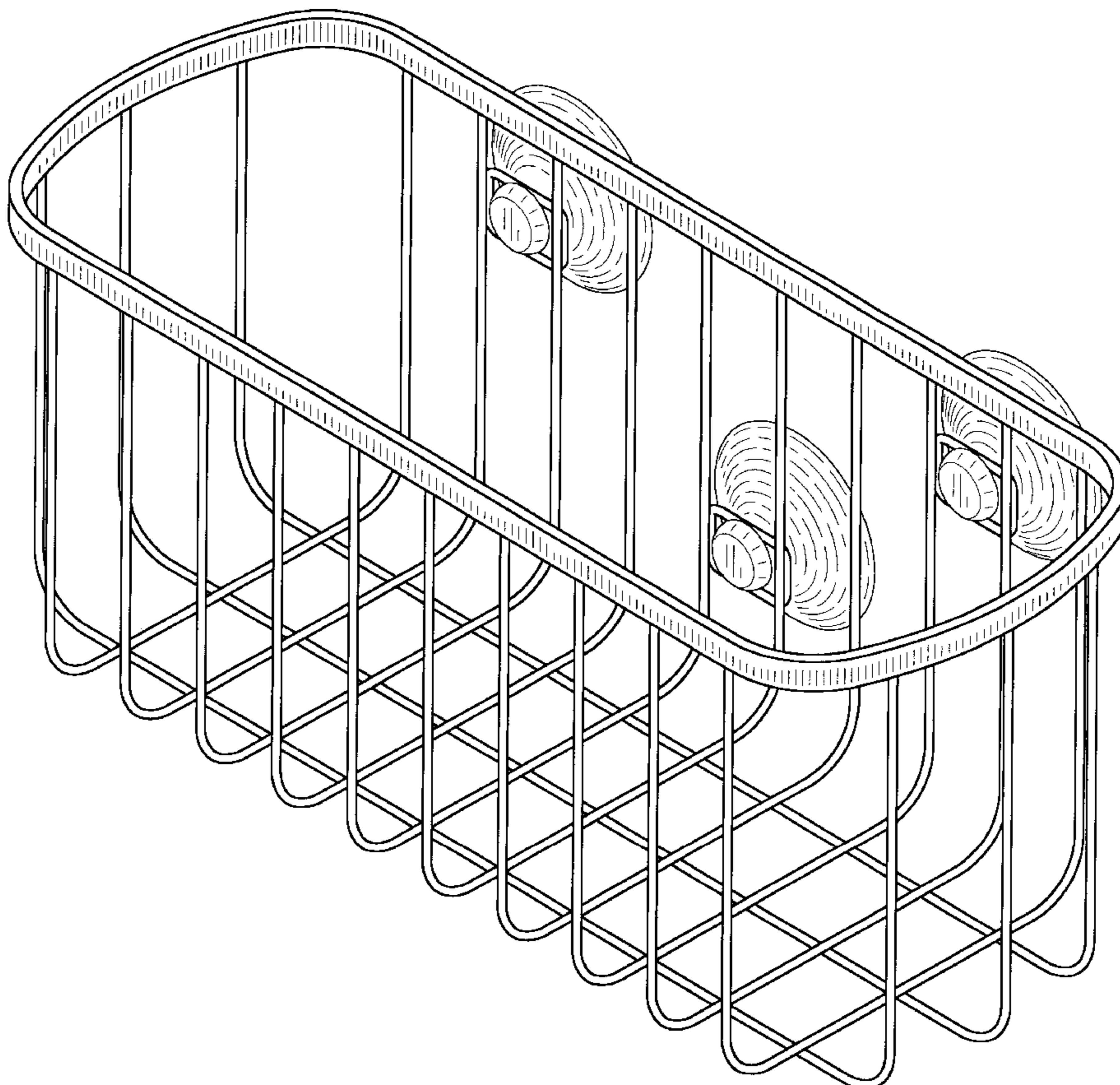
(57) **CLAIM**

The ornamental design for a rectangular basket held by suction cups, as shown and described.

DESCRIPTION

FIG. 1 is a perspective view of the rectangular basket according to the invention;
 FIG. 2 is a top view of the rectangular basket as shown in FIG. 1;
 FIG. 3 is a front view of the rectangular basket as shown in FIG. 1;
 FIG. 4 is an end view of the rectangular basket as shown in FIG. 1;
 FIG. 5 is a rear view of the rectangular basket as shown in FIG. 1;
 FIG. 6 is an end view of the rectangular basket as shown in FIG. 1 taken from the opposite end of that shown in FIG. 4; and,
 FIG. 7 is a bottom view of the rectangular basket shown in FIG. 1.

1 Claim, 3 Drawing Sheets



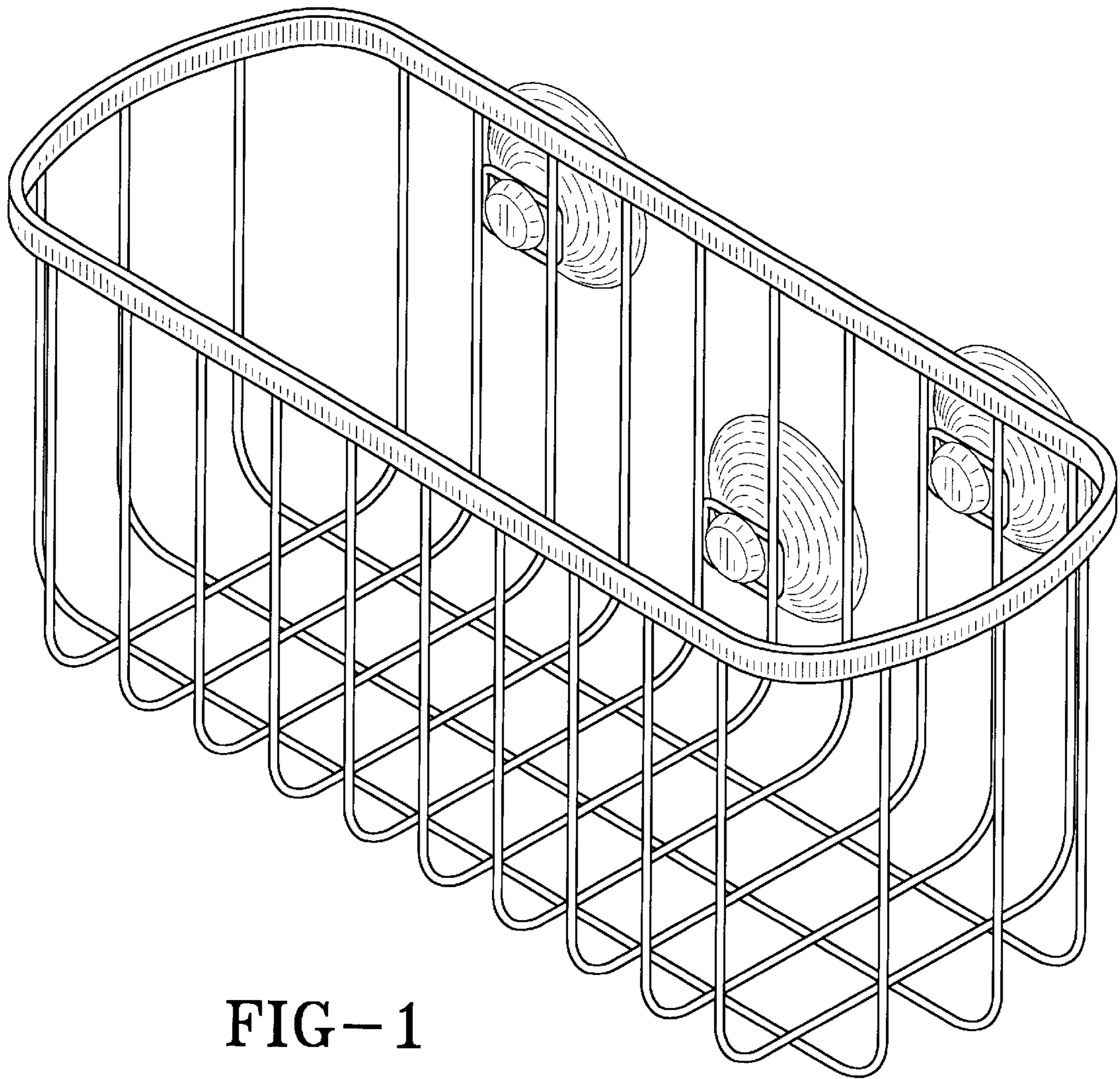


FIG-1

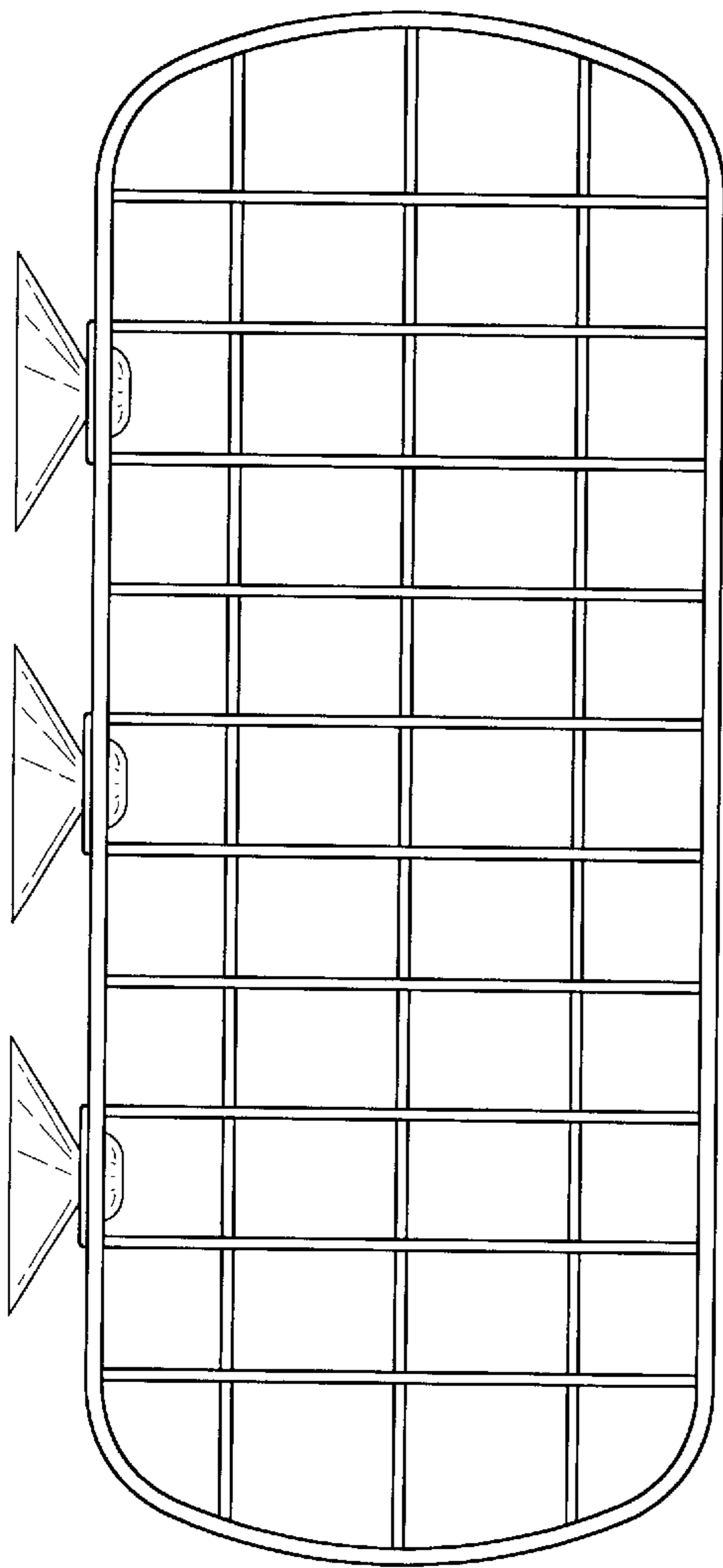


FIG-2

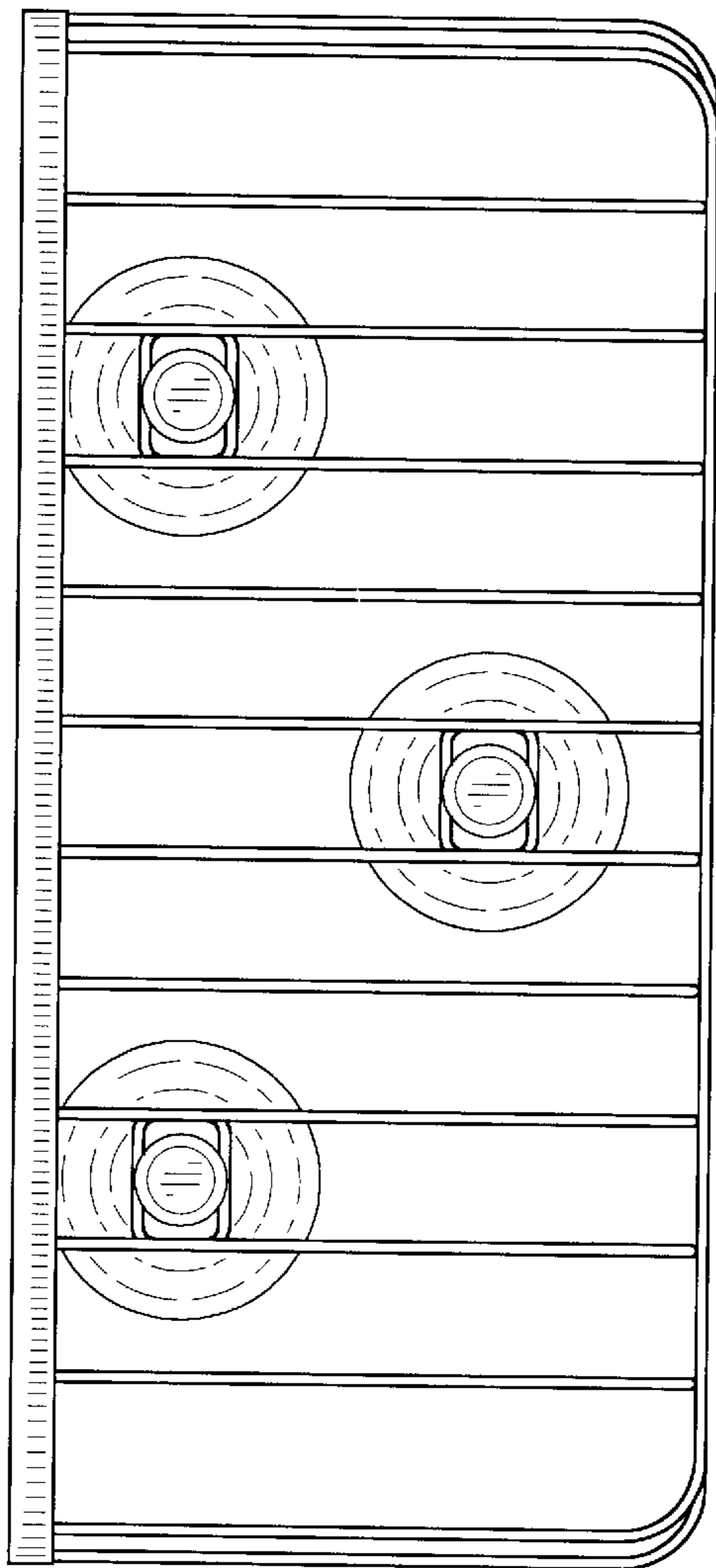


FIG-3

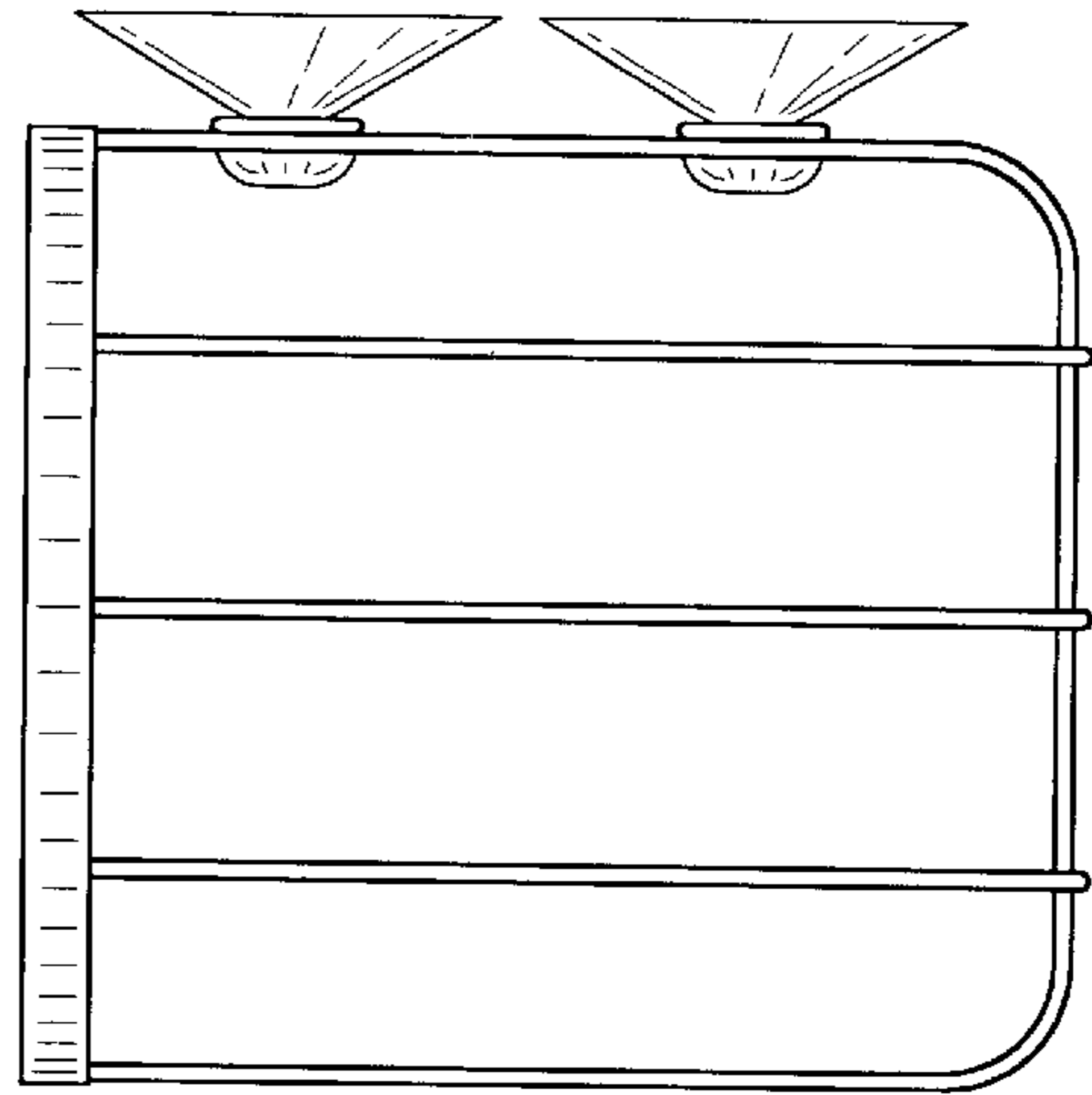


FIG-4

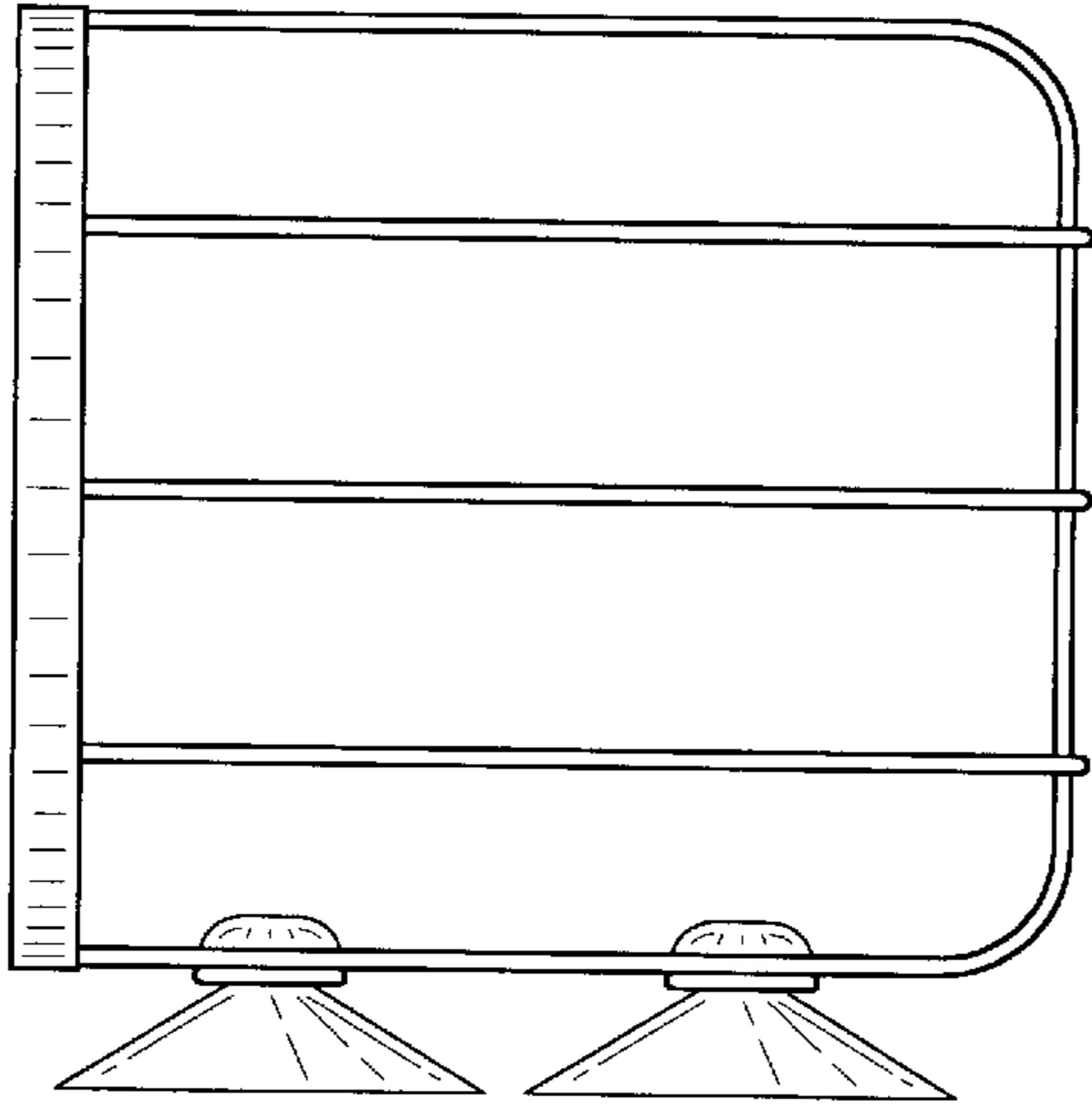


FIG-6

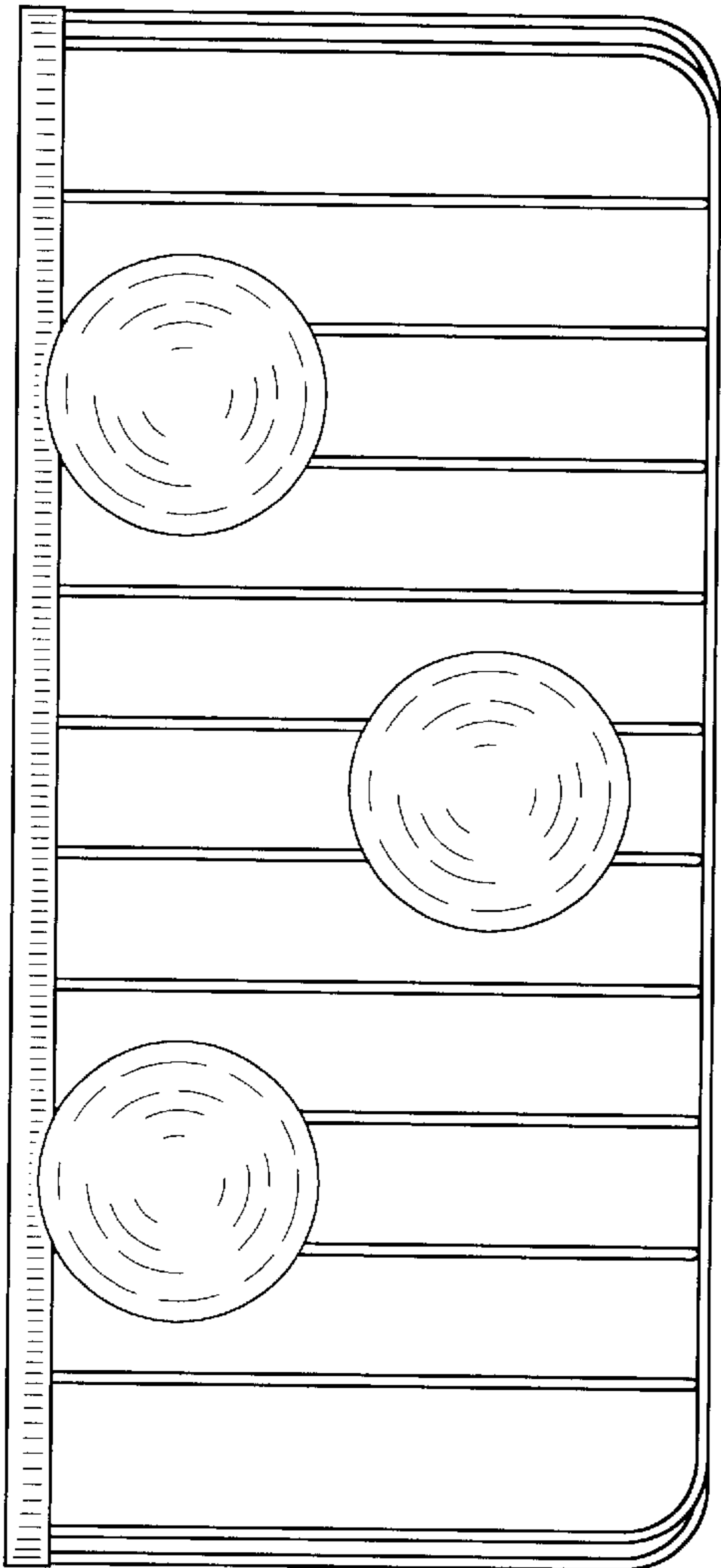


FIG-5

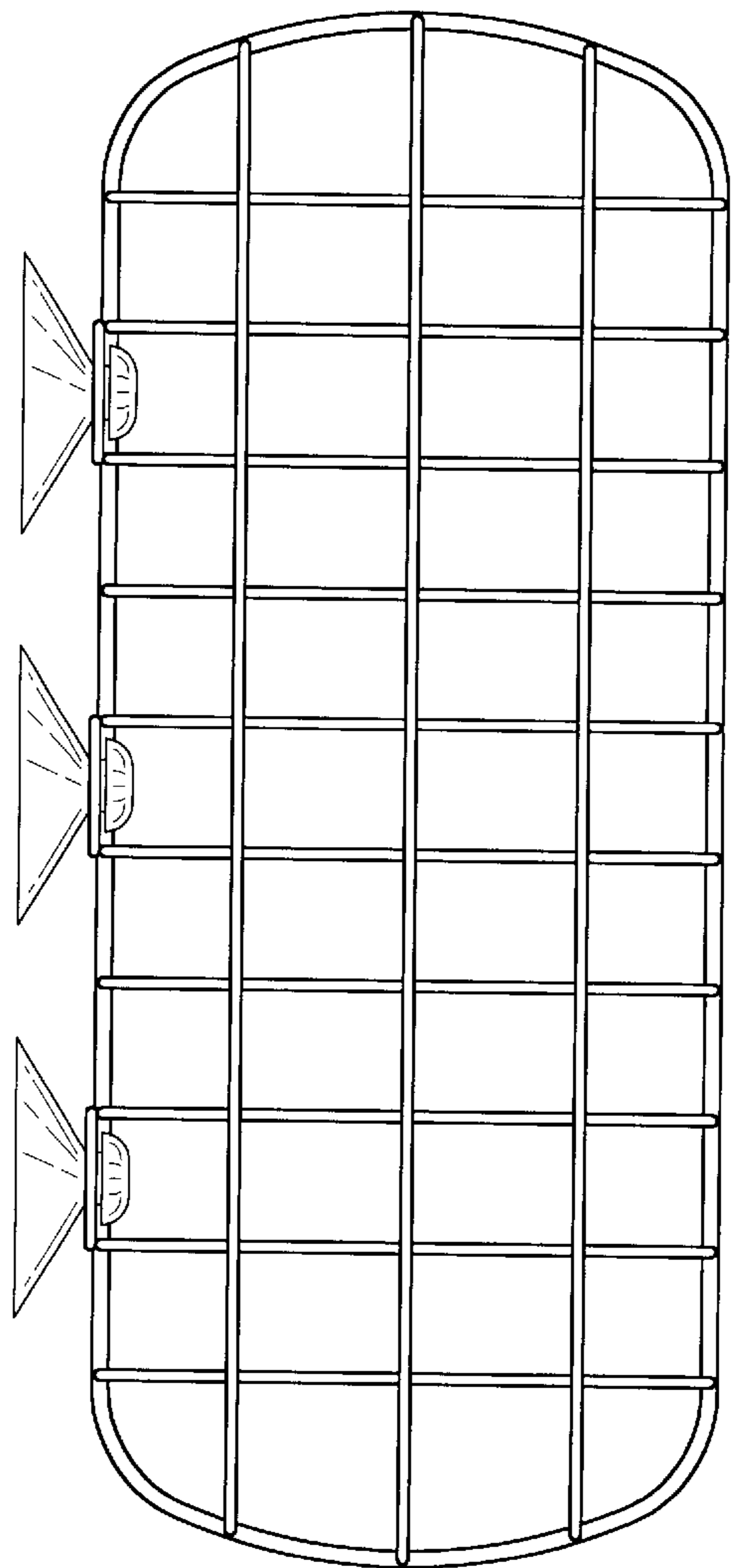


FIG-7