



US00D450210B1

(12) **United States Design Patent**  
**Rich**

(10) **Patent No.:** **US D450,210 S**

(45) **Date of Patent:** **\*\* Nov. 13, 2001**

(54) **MOBILE COMPUTER WORK STATION**

(76) Inventor: **J. Stephen Rich**, 930 Spring Creek Rd.,  
Chattanooga, TN (US) 37412

(\*\*) Term: **14 Years**

(21) Appl. No.: **29/135,302**

(22) Filed: **Jan. 8, 2001**

(51) **LOC (7) Cl.** ..... **06-06**

(52) **U.S. Cl.** ..... **D6/511; D6/430**

(58) **Field of Search** ..... D6/480-489, 511,  
D6/429, 430, 422, 426, 427; 108/153.1,  
156, 150, 157.1, 161, 50.01, 50.02, 33,  
65, 67, 77, 34, 35, 38, 40, 25; 312/208.1

(56) **References Cited**

**U.S. PATENT DOCUMENTS**

- 1,325,164 \* 12/1919 Mowrey ..... 108/34
- 1,735,162 \* 11/1929 Favour ..... 108/13
- 2,165,244 \* 7/1939 Dunn ..... 312/208.1

\* cited by examiner

*Primary Examiner*—Janice E. Seeger

(74) *Attorney, Agent, or Firm*—Baker, Donelson, Bearman  
& Coldwell

(57) **CLAIM**

The ornamental design for a mobile computer work station,  
as shown and described.

**DESCRIPTION**

FIG. 1 is a perspective view of a mobile computer work station, showing my new design; the broken lines are for environmental purposes only and form no part of the claimed design.

FIG. 2 is a perspective view of the mobile computer work station shown in an opened configuration.

FIG. 3 is a top view thereof in a closed configuration.

FIG. 4 is a bottom view thereof in a closed configuration.

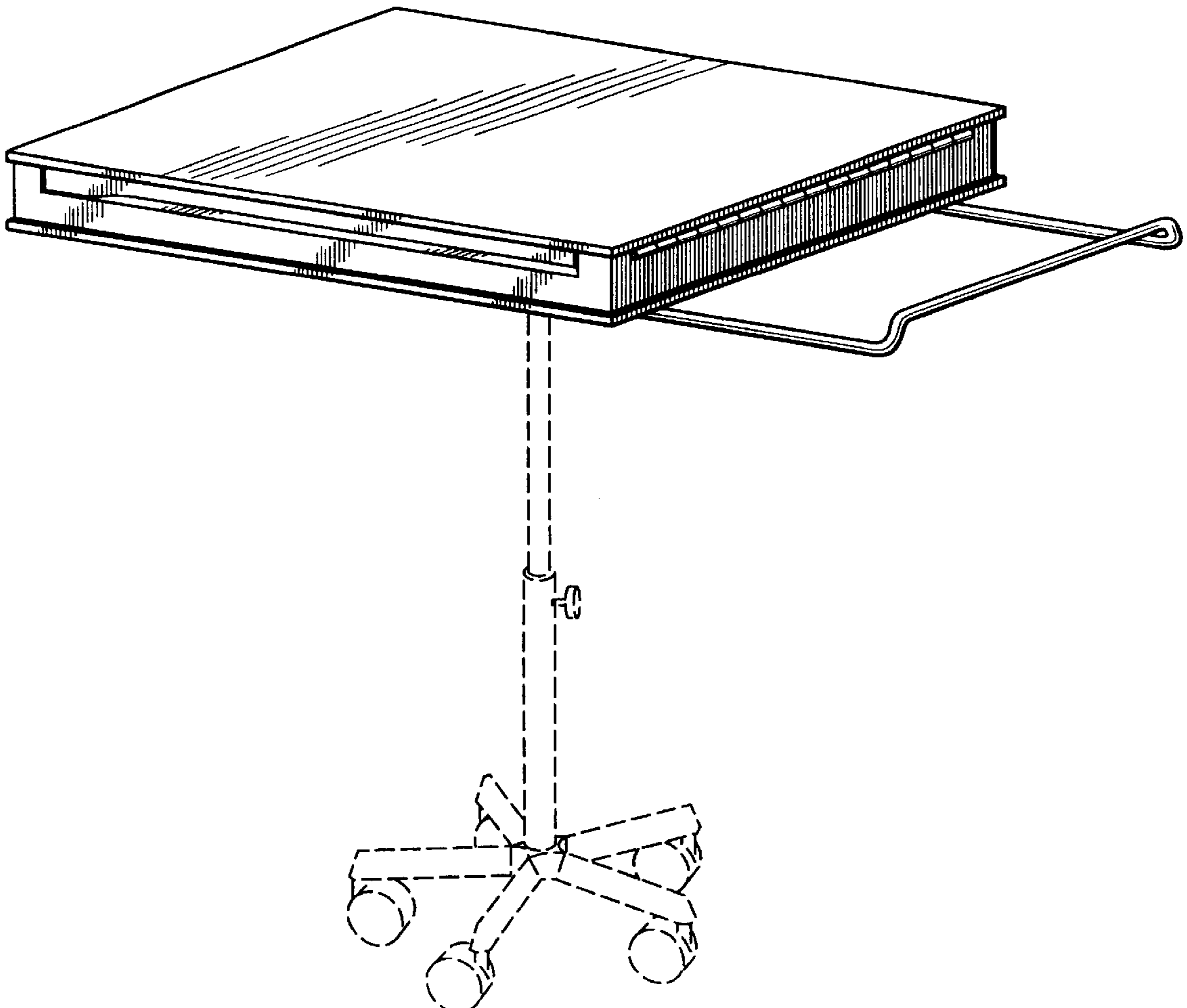
FIG. 5 is a front view thereof in a closed configuration.

FIG. 6 is a rear view thereof in a closed configuration.

FIG. 7 is a side view thereof in a closed configuration; and,

FIG. 8 is a side view thereof opposite the side shown in FIG. 7 shown in a closed configuration.

**1 Claim, 4 Drawing Sheets**



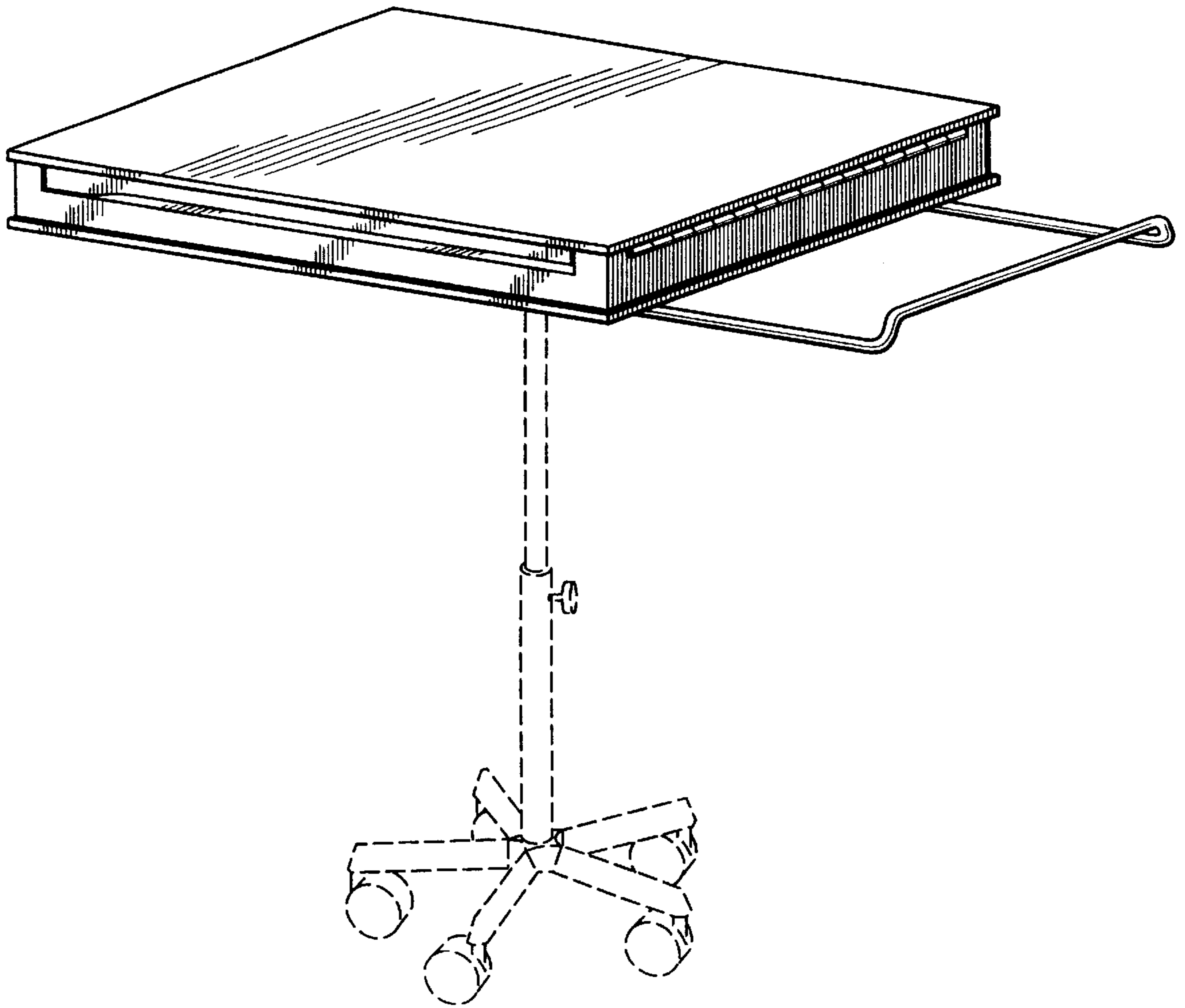


FIG. 1

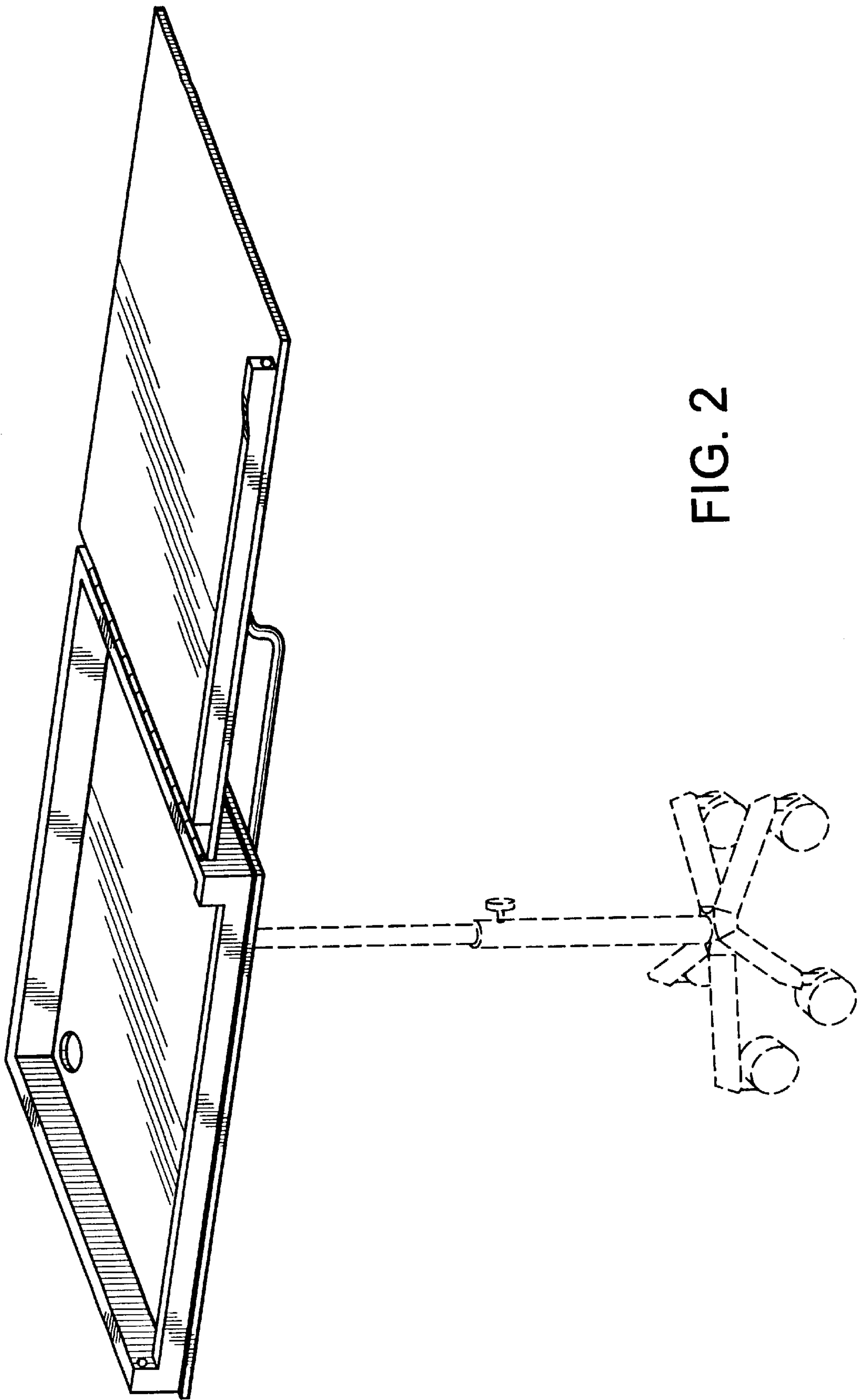


FIG. 2

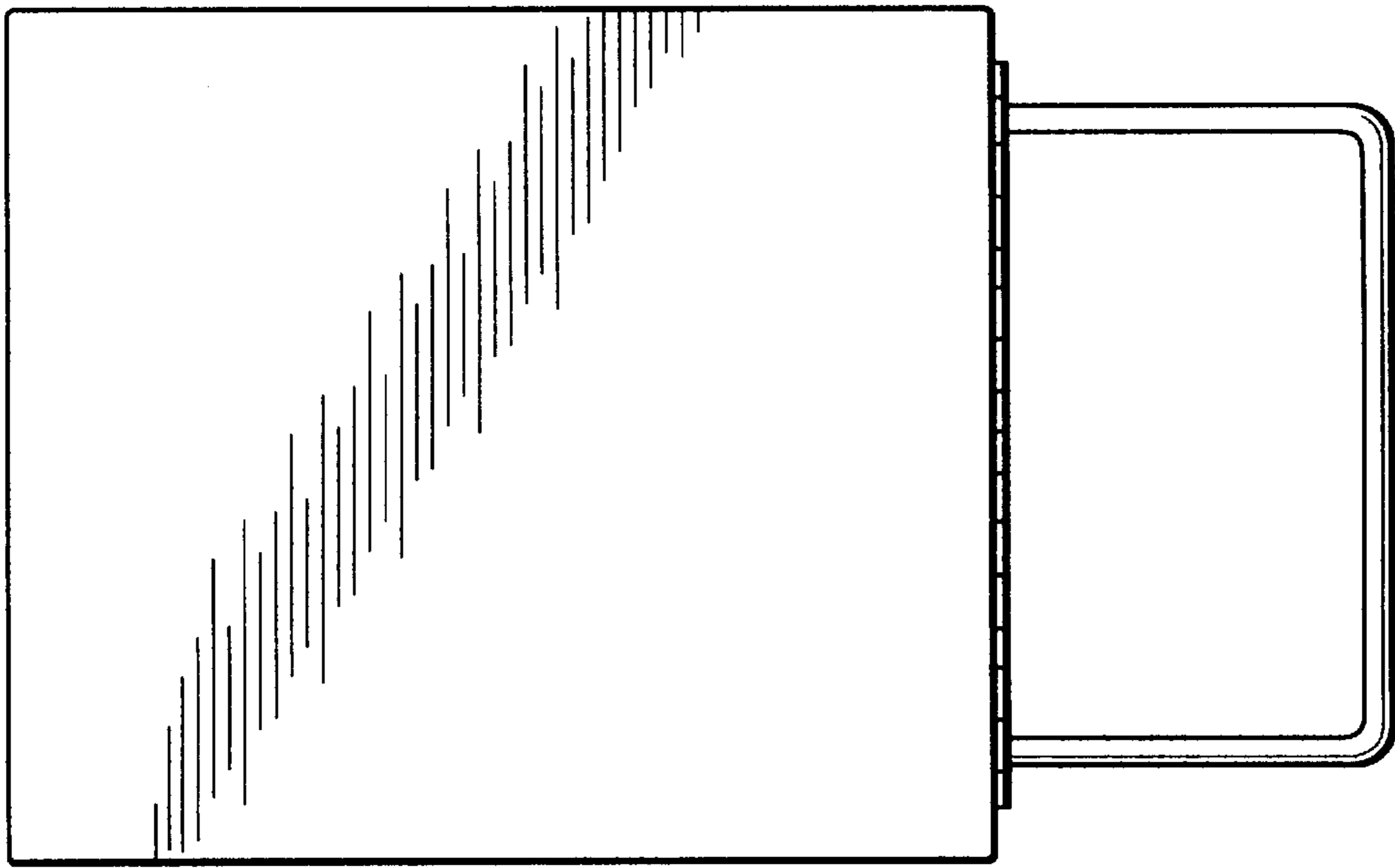


FIG. 3

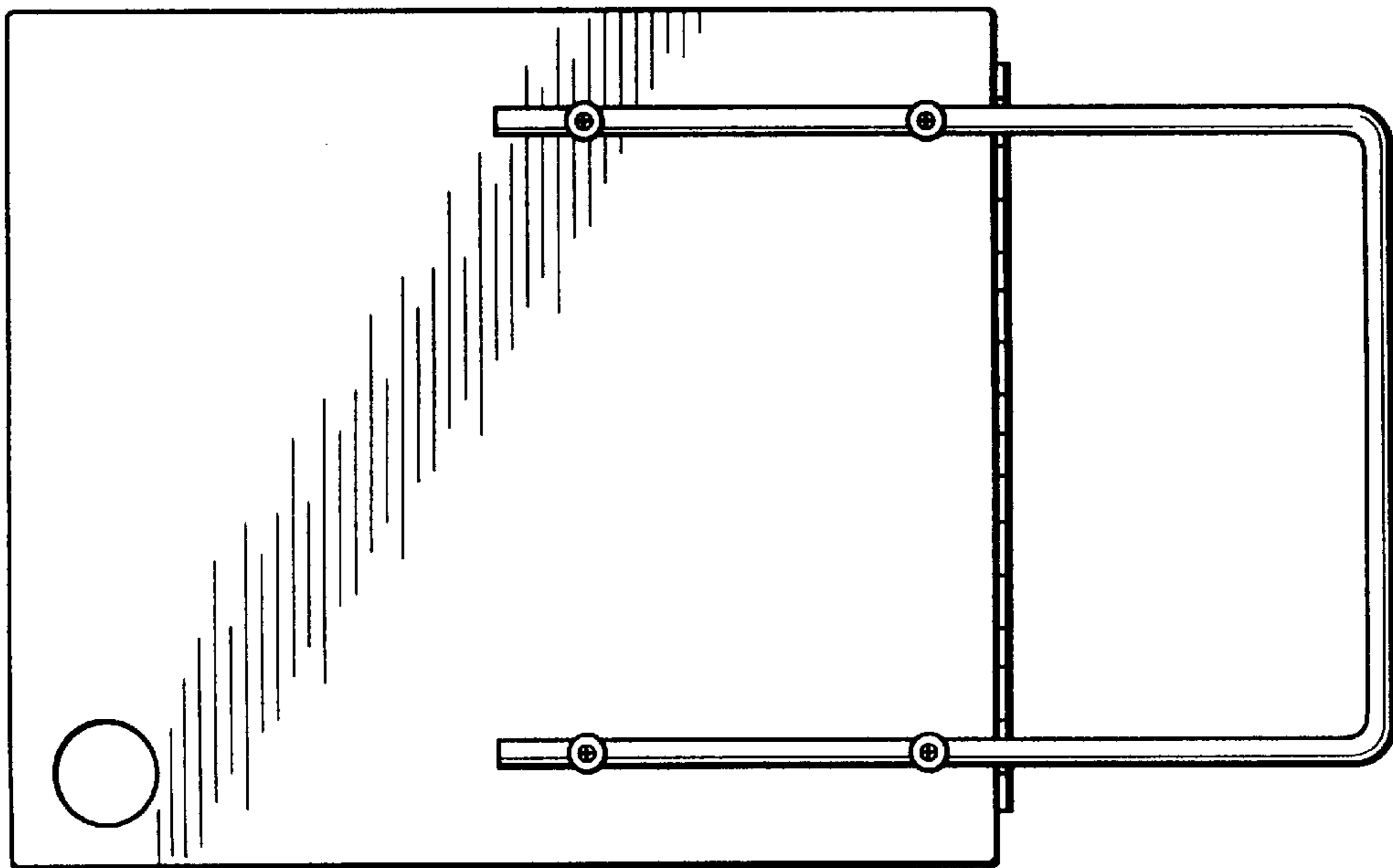


FIG. 4

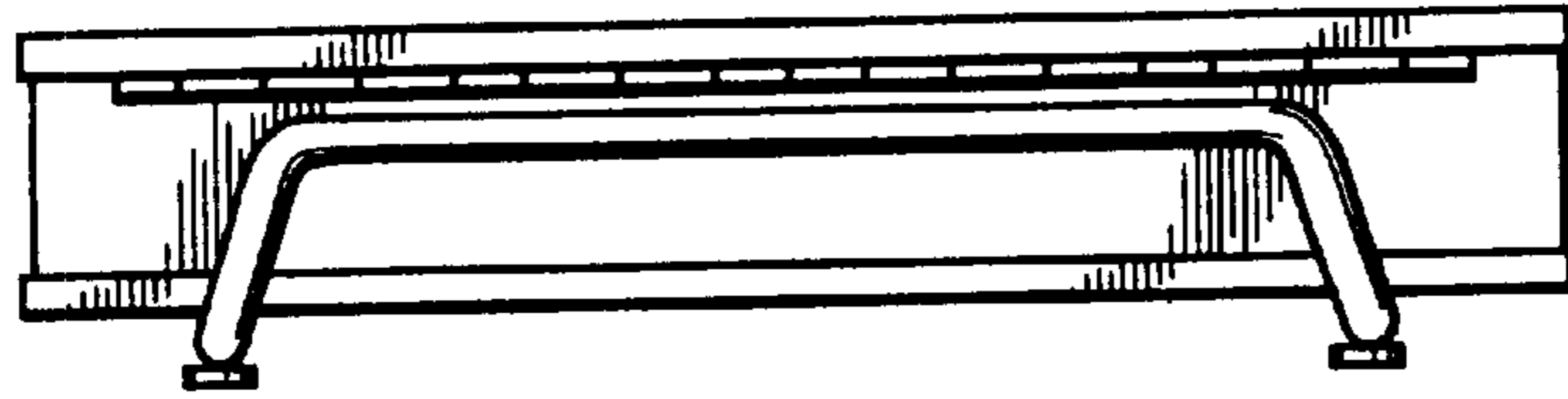


FIG. 5

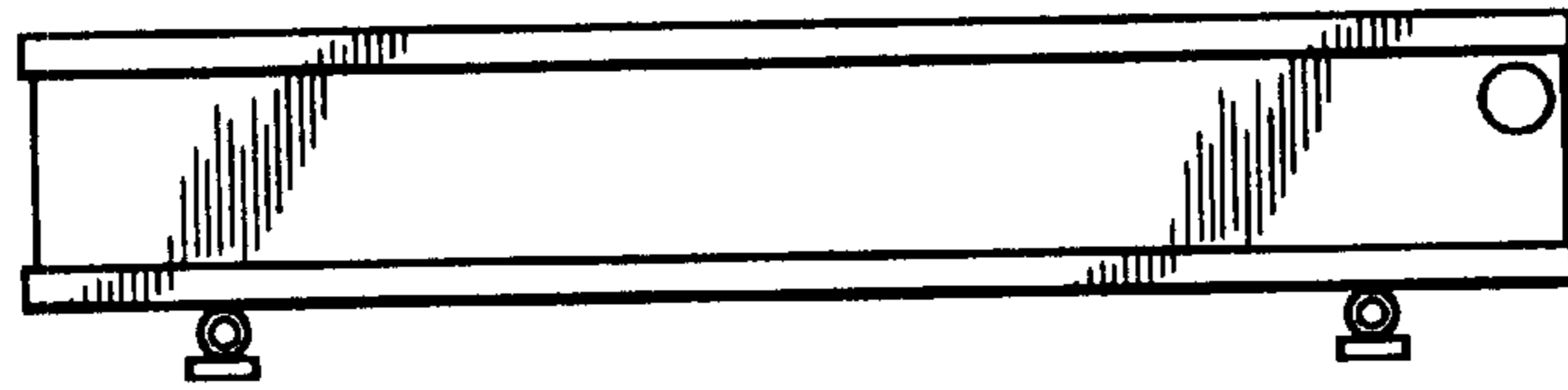


FIG. 6

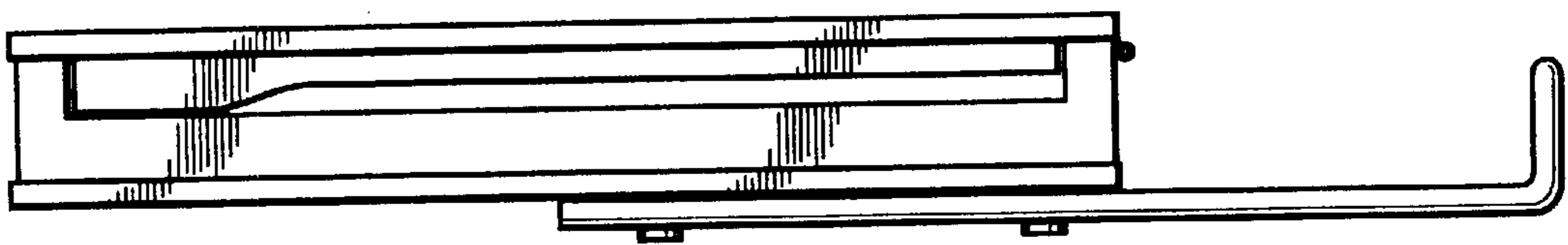


FIG. 7

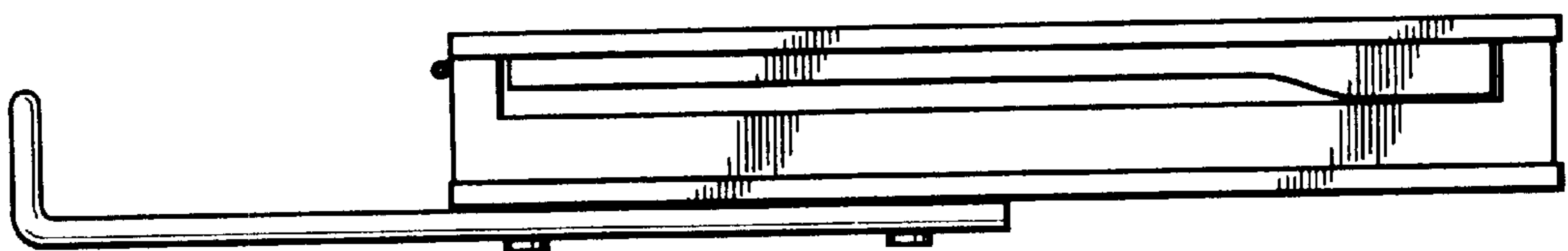


FIG. 8