



US00D450209B1

(12) **United States Design Patent**
Cao

(10) **Patent No.:** **US D450,209 S**

(45) **Date of Patent:** **** Nov. 13, 2001**

(54) **BACKREST SUPPORT FRAME FOR A CHAIR**

(76) **Inventor:** **Zi-Wen Cao**, 58, Ma Yuan West St., Taichung (TW)

(**) **Term:** **14 Years**

(21) **Appl. No.:** **29/104,033**

(22) **Filed:** **Apr. 27, 1999**

(51) **LOC (7) Cl.** **06-06**

(52) **U.S. Cl.** **D6/500**

(58) **Field of Search** D6/334, 341, 367, D6/368, 379, 380, 429, 462, 466, 495, 499, 500-502; 297/301.1, 353, 451.1, 452.19, 452.2; 248/188.1, 188.2, 200

(56) **References Cited**

U.S. PATENT DOCUMENTS

- 2,577,050 * 12/1951 Van Buren 297/353
- 2,599,301 * 6/1952 Van Buren 297/353
- 2,784,769 * 3/1957 Fisher 297/451.1

- 2,847,062 * 8/1958 Henrikson et al. 297/452.2
- 3,059,971 * 10/1962 Becker 297/353
- 3,720,442 * 3/1973 Bergmann et al. 297/353
- 5,711,576 * 1/1998 Olson et al. 297/353

* cited by examiner

Primary Examiner—Doris V. Coles

Assistant Examiner—Mimosa De

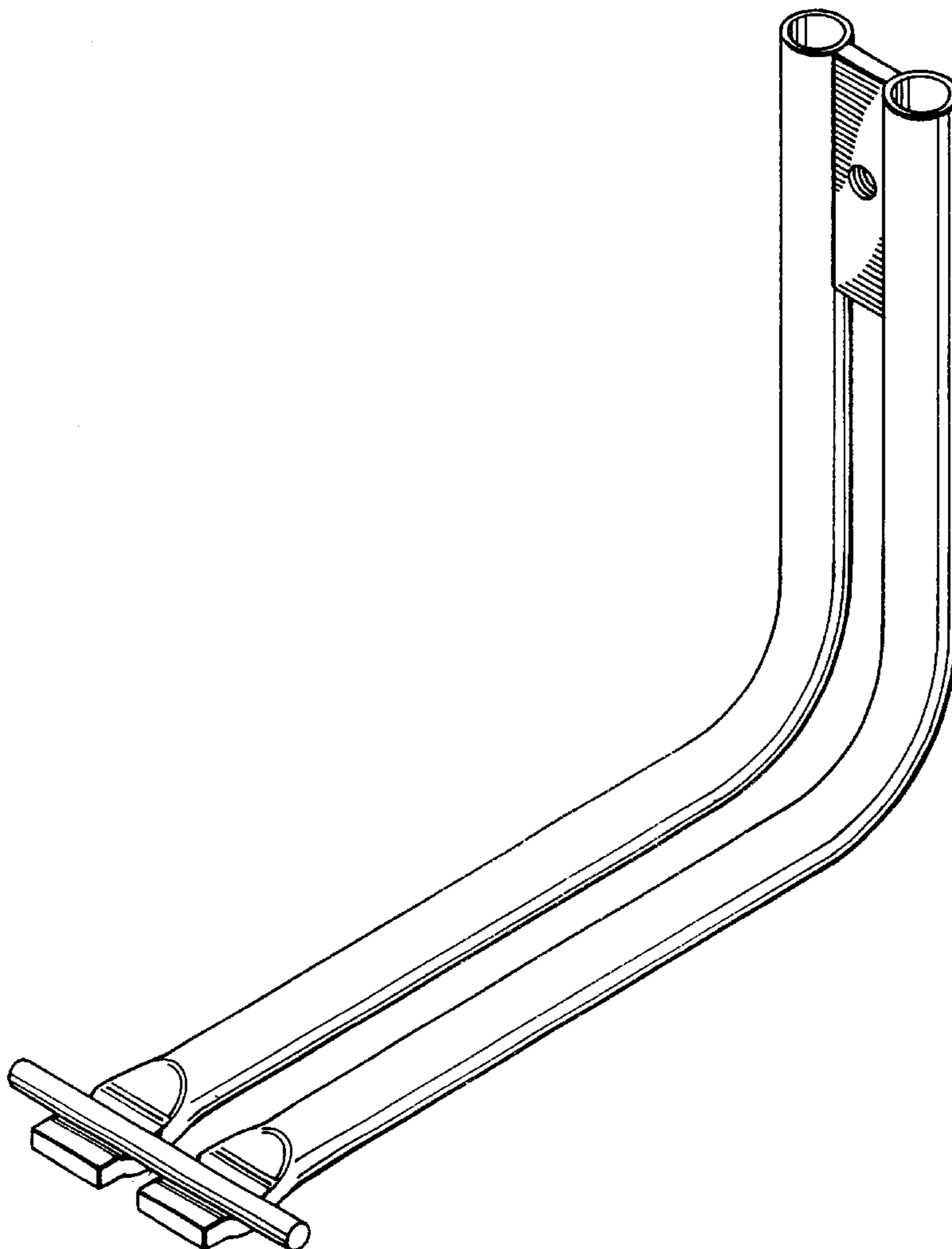
(57) **CLAIM**

The ornamental design for a backrest support frame for a chair, as shown and described.

DESCRIPTION

FIG. 1 is a perspective view of backrest support frame for a chair showing my new design;
 FIG. 2 is a right side view thereof;
 FIG. 3 is a left side view thereof;
 FIG. 4 is a front elevational view thereof;
 FIG. 5 is a rear elevational view thereof;
 FIG. 6 is a top plan view thereof; and,
 FIG. 7 is a bottom plan view thereof.

1 Claim, 3 Drawing Sheets



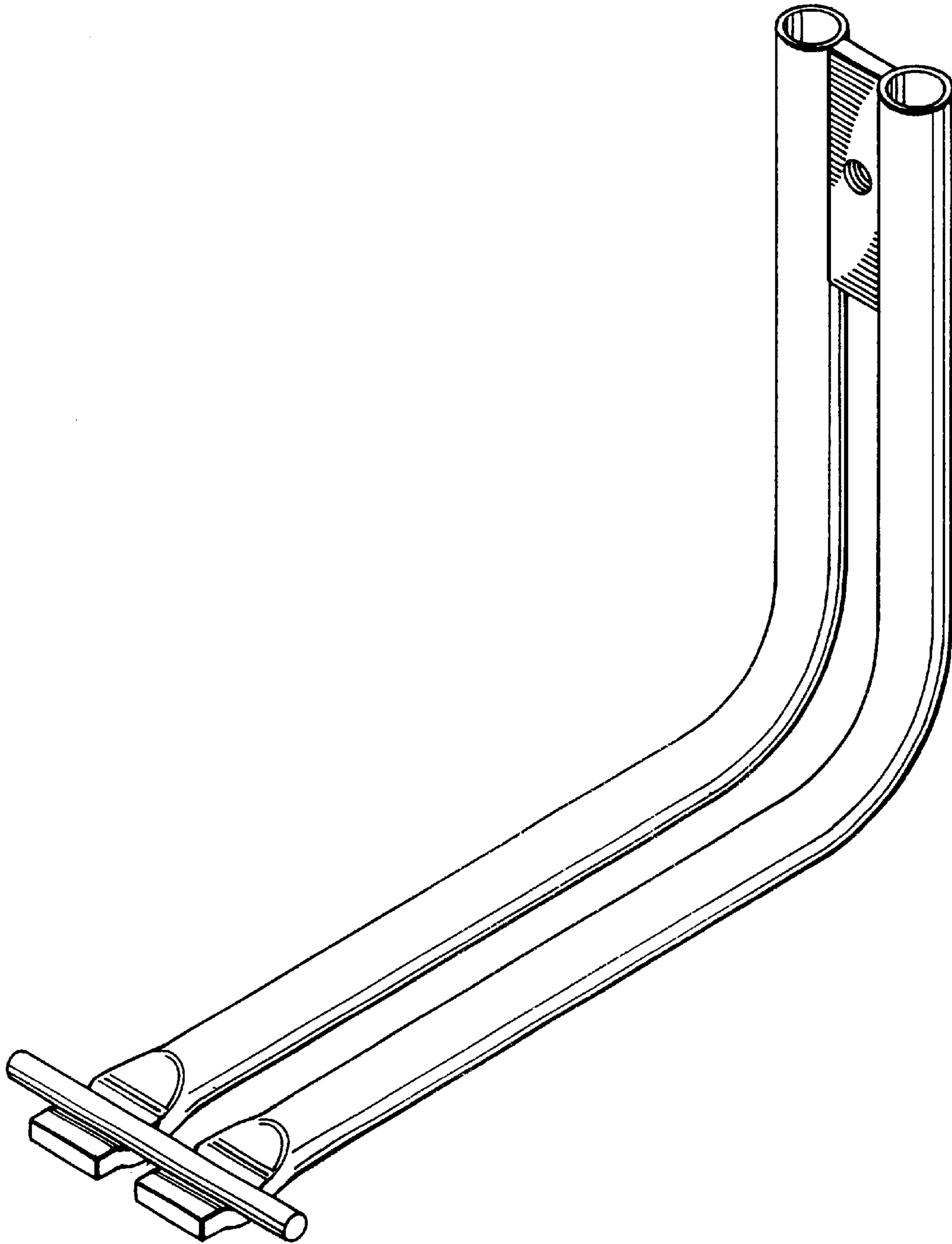


FIG. 1

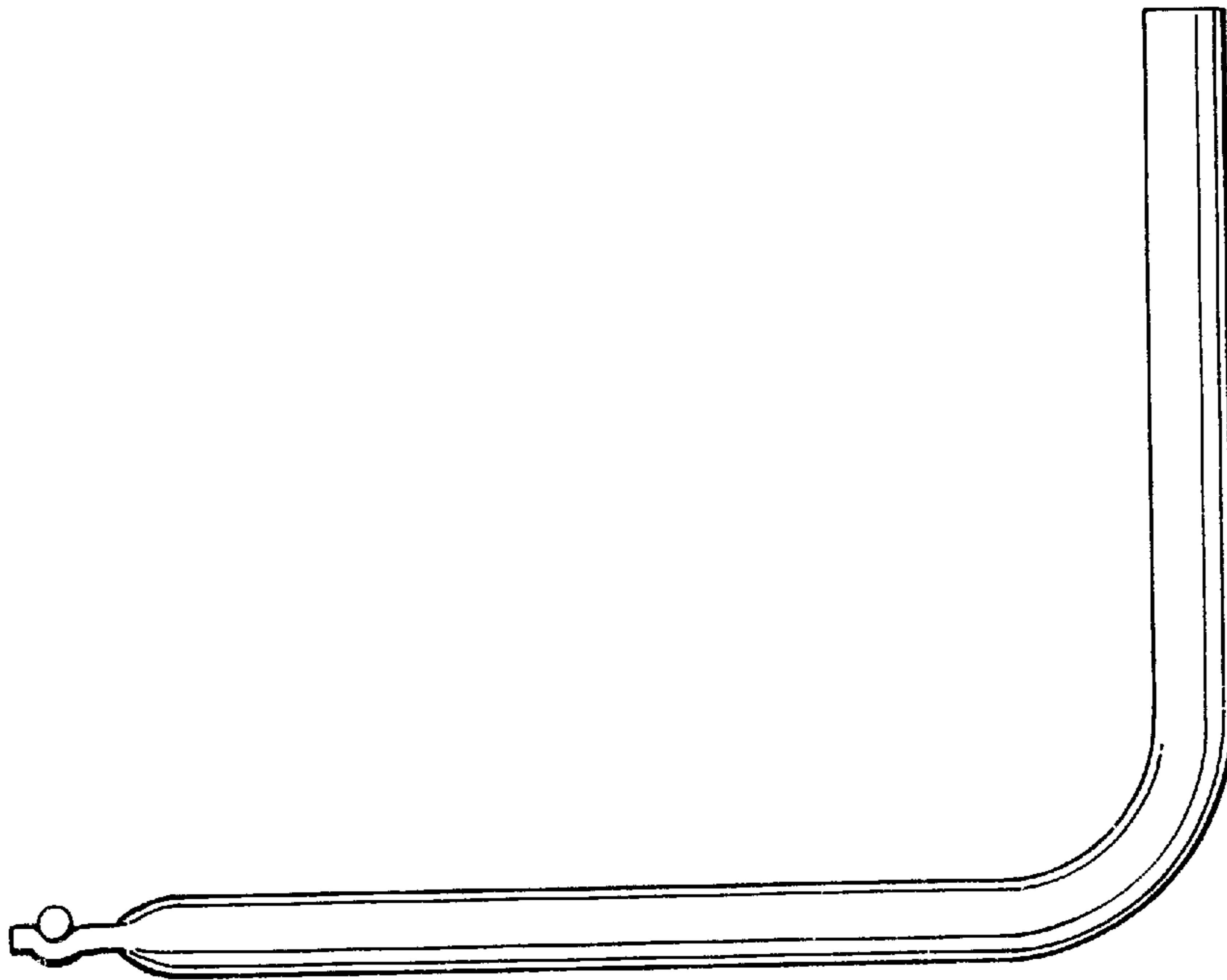


FIG. 2

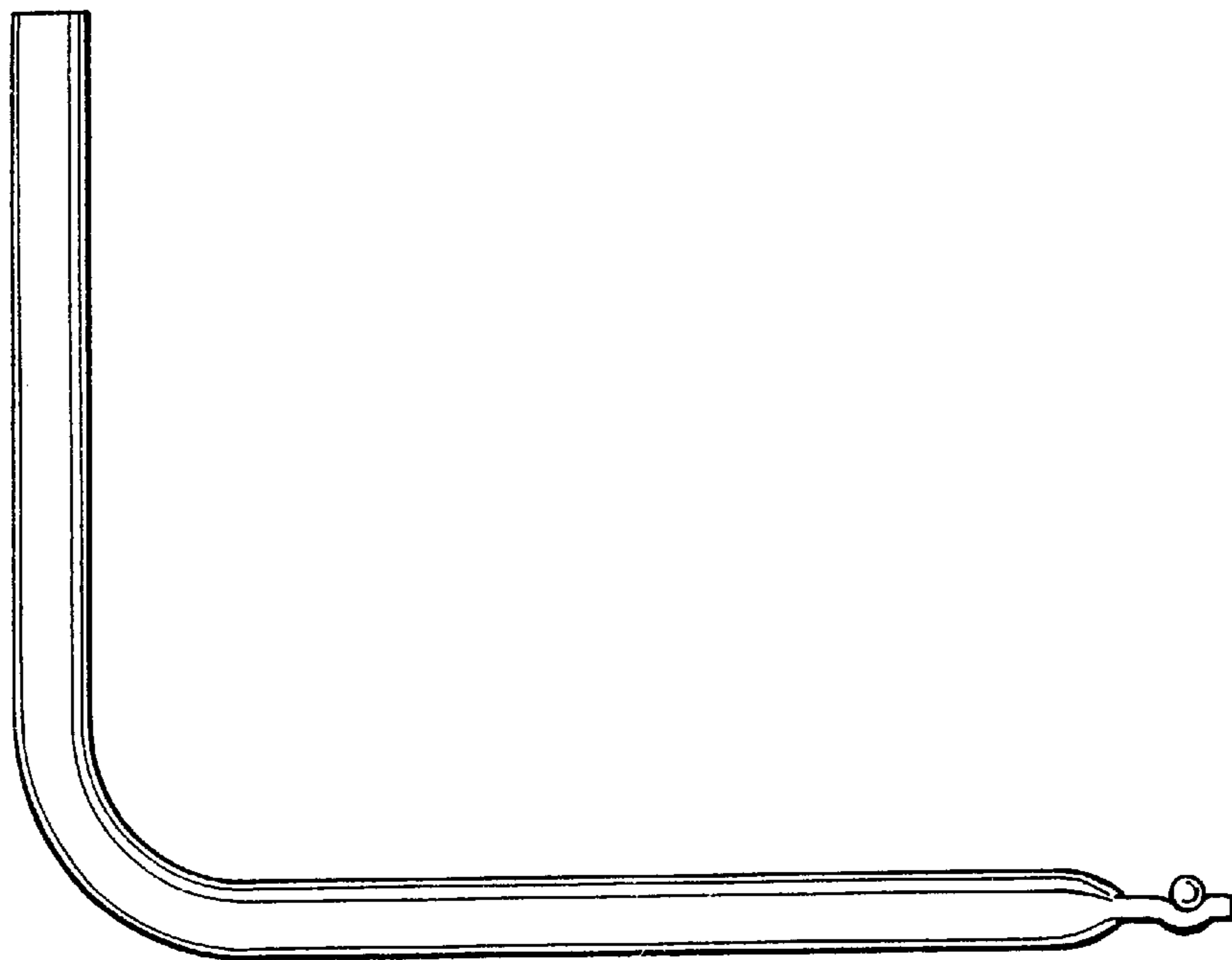


FIG. 3

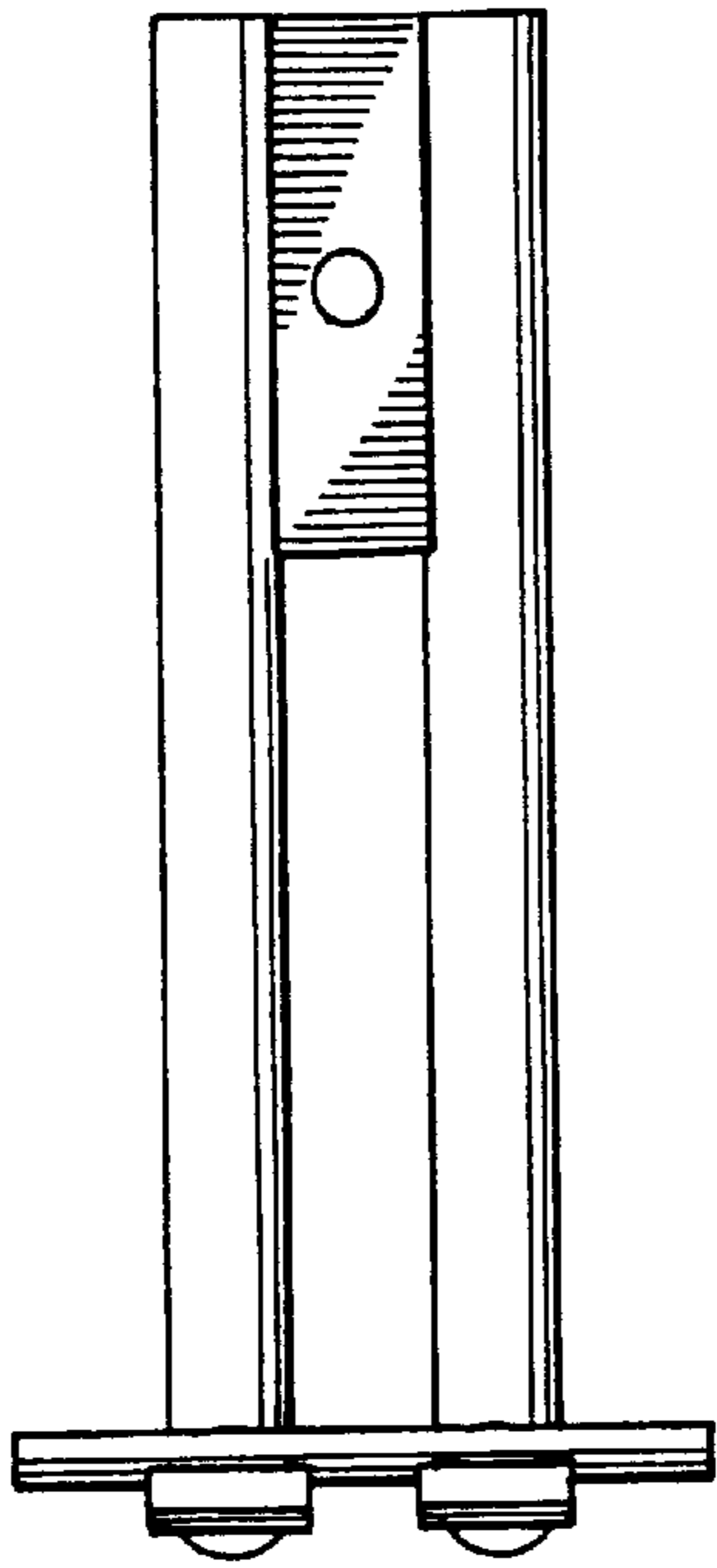


FIG. 4

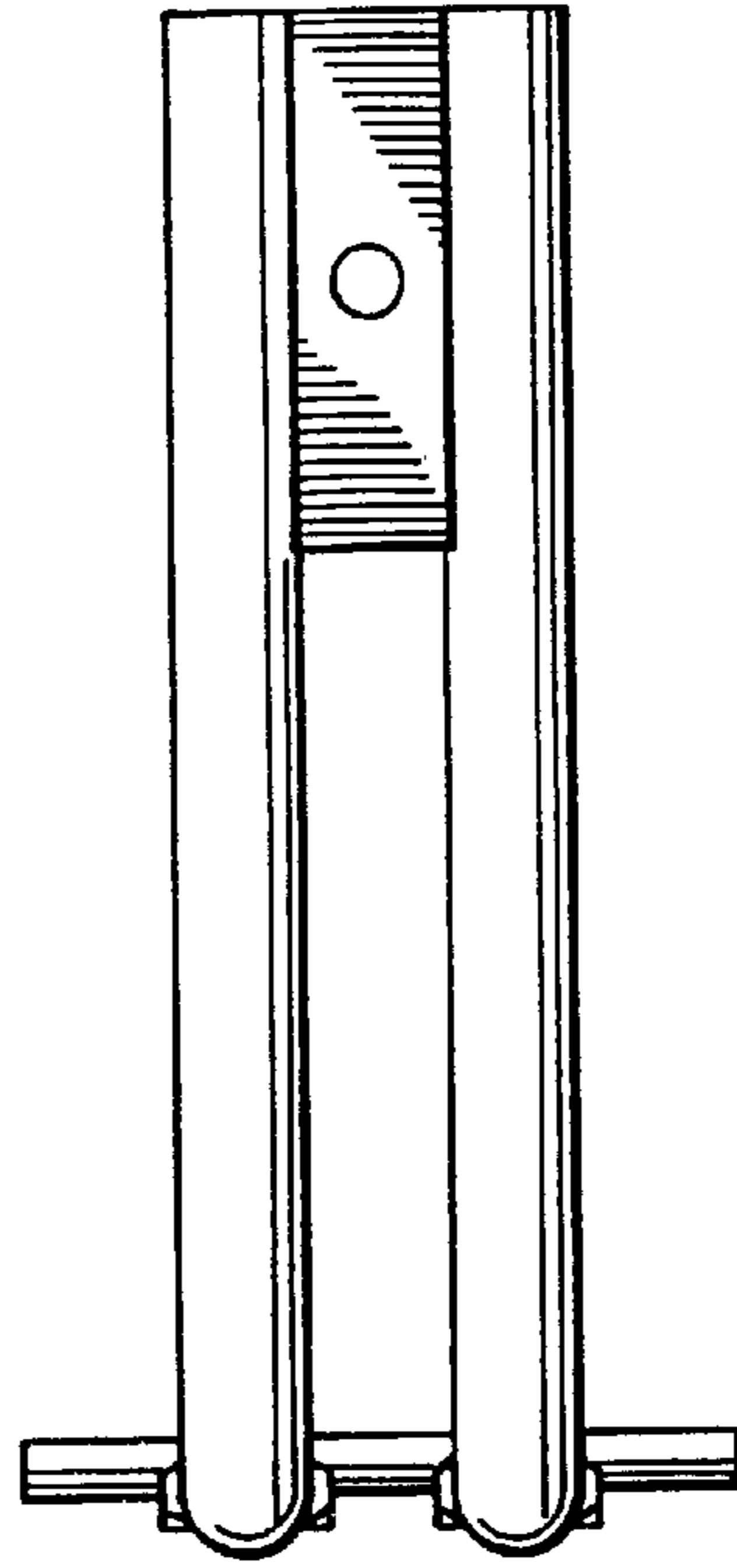


FIG. 5

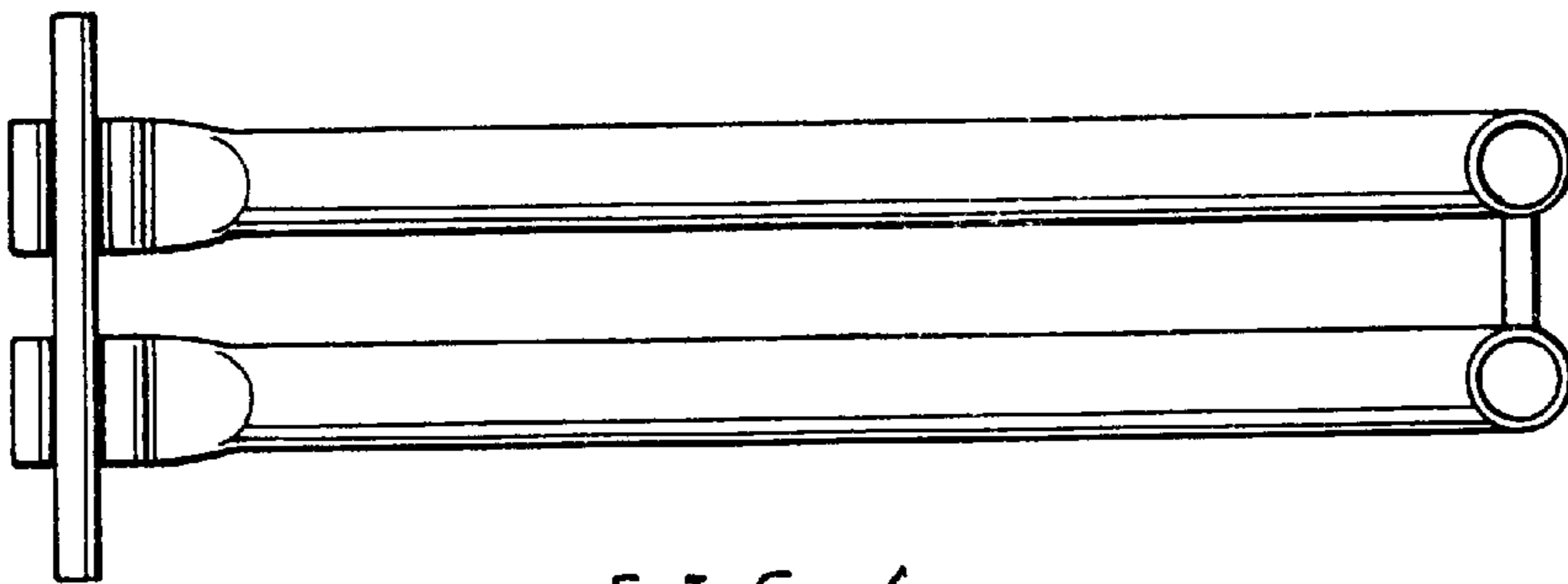


FIG. 6

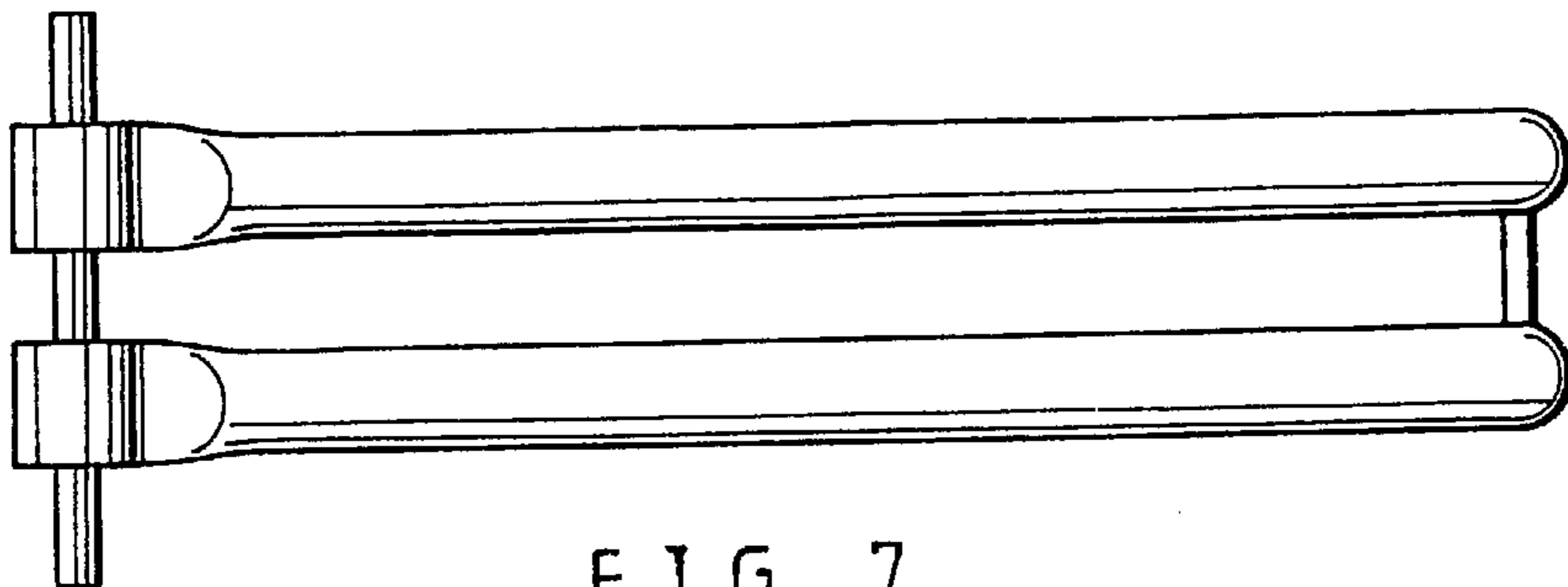


FIG. 7