



US00D450207B1

(12) **United States Design Patent**
Bickley

(10) **Patent No.:** **US D450,207 S**

(45) **Date of Patent:** **** Nov. 13, 2001**

(54) **STORAGE RACK**

(76) **Inventor:** **Joseph R. Bickley**, 61 Colonial Rd.,
Allentown, PA (US) 18103

(**) **Term:** **14 Years**

(21) **Appl. No.:** **29/110,047**

(22) **Filed:** **Aug. 30, 1999**

(51) **LOC (7) Cl.** **06-04**

(52) **U.S. Cl.** **D6/466**

(58) **Field of Search** D6/396, 449, 466,
D6/512, 411, 475, 476

(56) **References Cited**

U.S. PATENT DOCUMENTS

- D. 157,030 * 1/1950 Chatfiled D6/449
- D. 261,703 * 11/1981 Plummer D6/449

D. 357,828 * 5/1995 Liao D6/466

* cited by examiner

Primary Examiner—Dominic Simone

(74) *Attorney, Agent, or Firm*—Zachary T. Wobensmith, III

(57) **CLAIM**

The ornamental design for a storage rack, as shown and described.

DESCRIPTION

FIG. 1 is a front elevational view of a storage rack showing my new design;

FIG. 2 is a rear elevational view thereof;

FIG. 3 is a right side elevational view thereof;

FIG. 4 is a left side elevational view thereof; and,

FIG. 5 is a top plan view thereof.

1 Claim, 1 Drawing Sheet

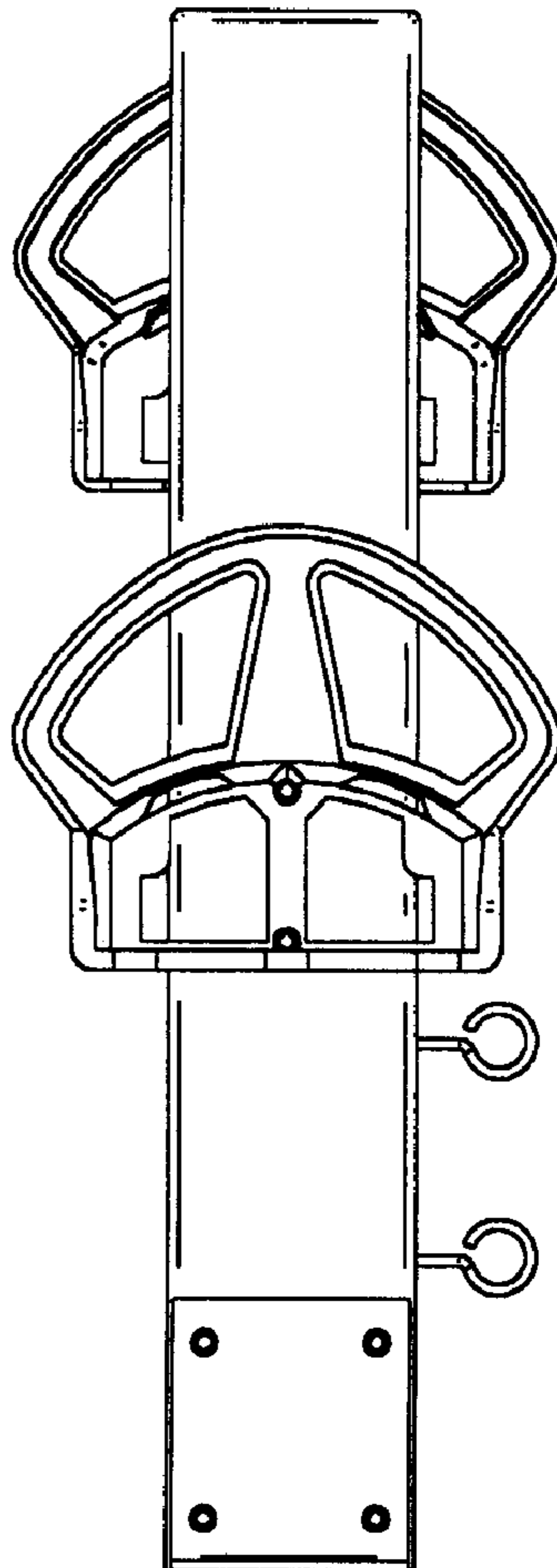
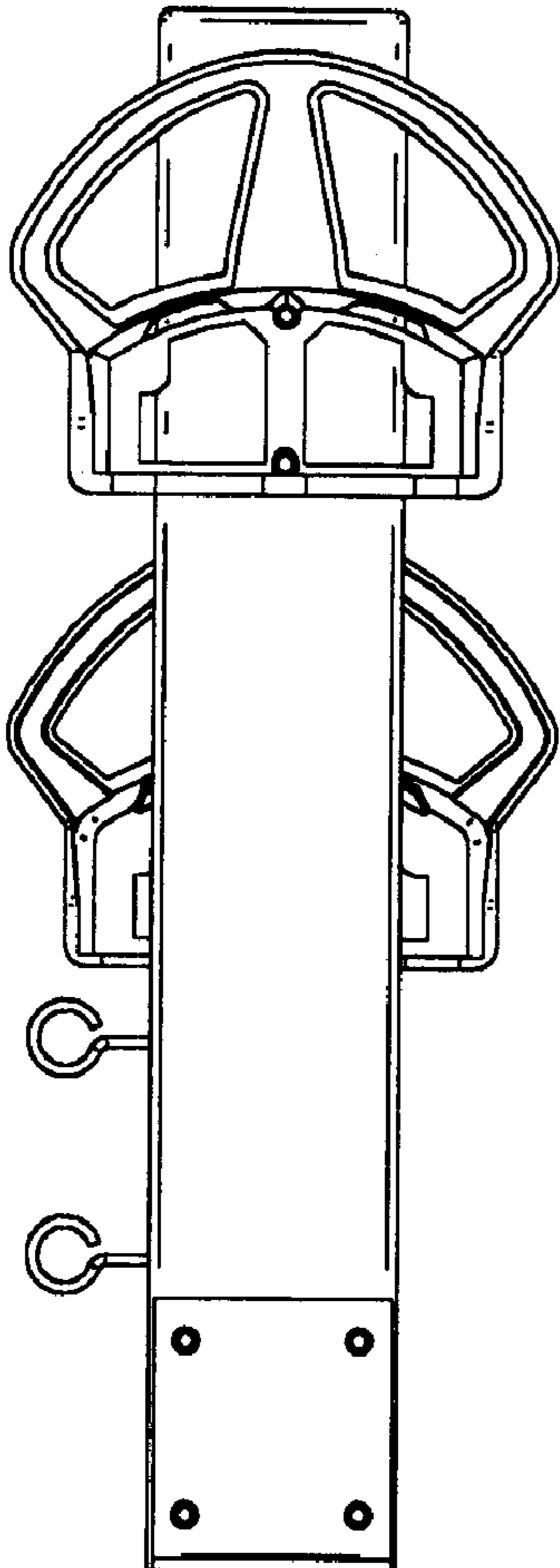


Fig. 1

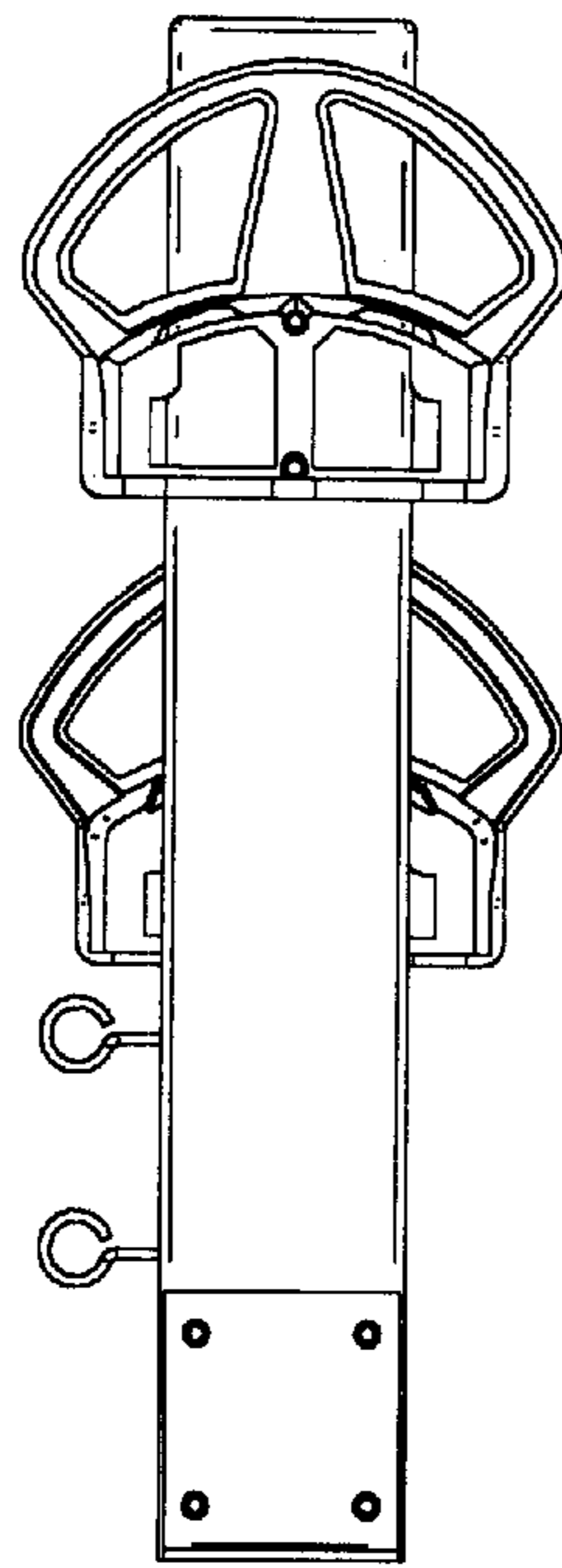


Fig. 2

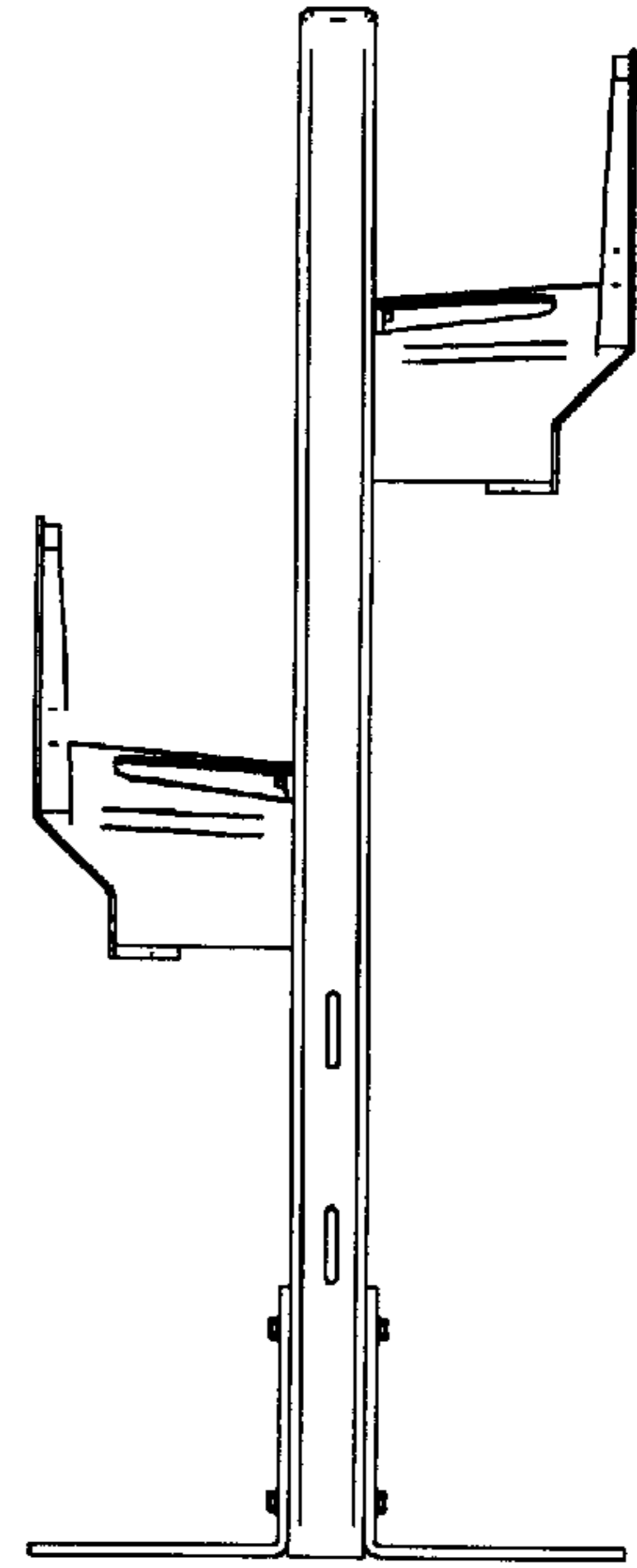


Fig. 3

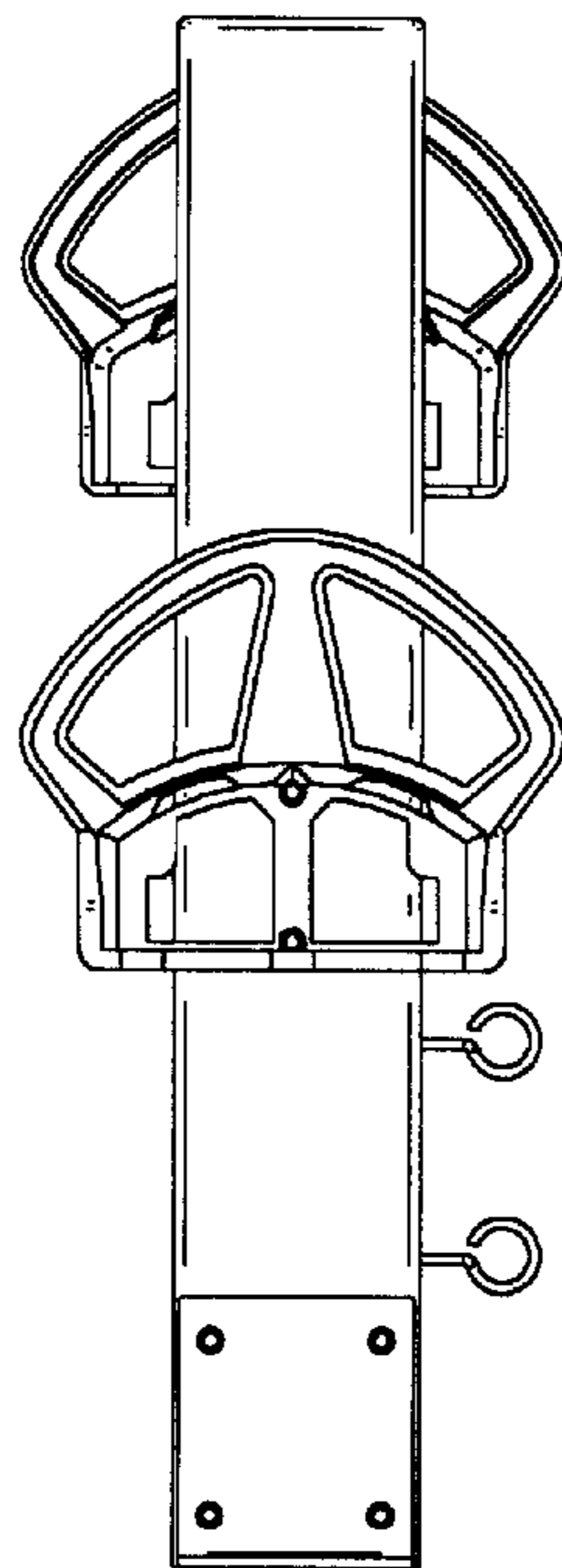


Fig. 4

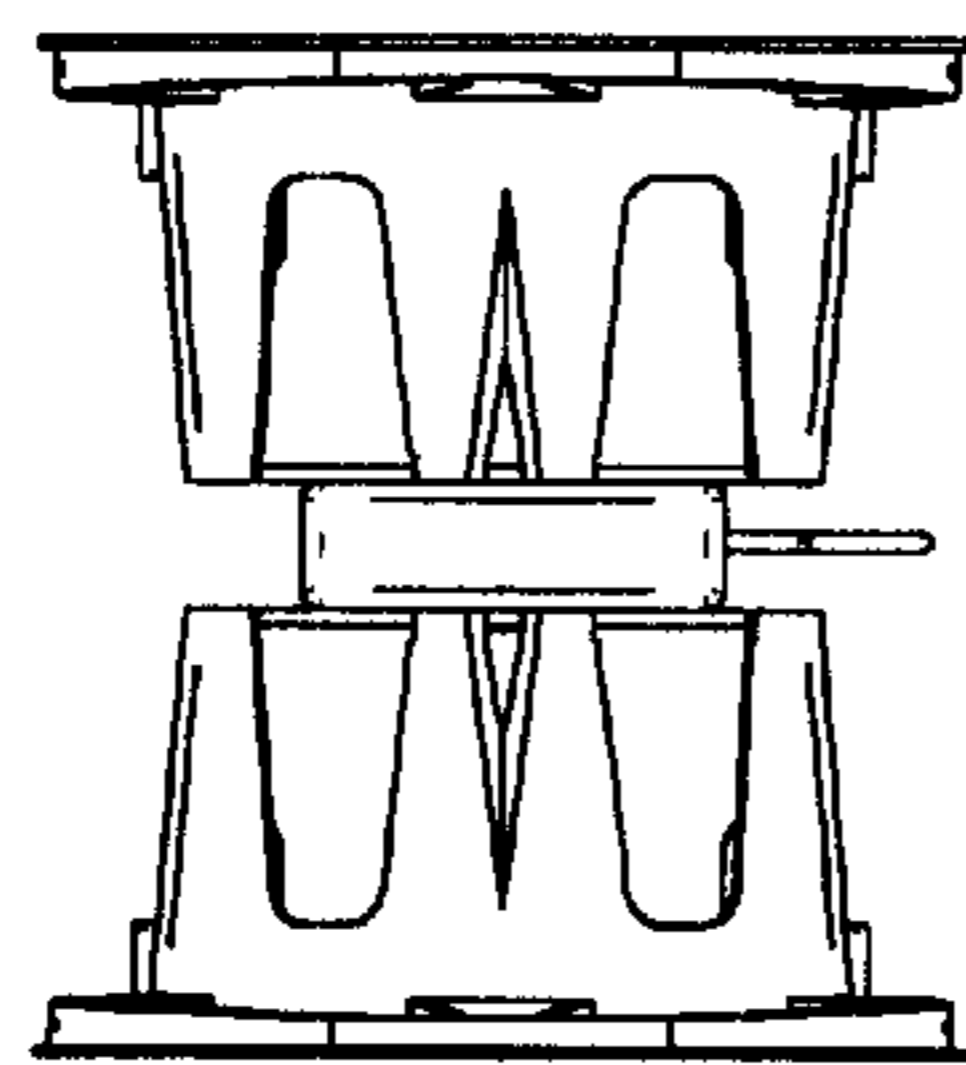
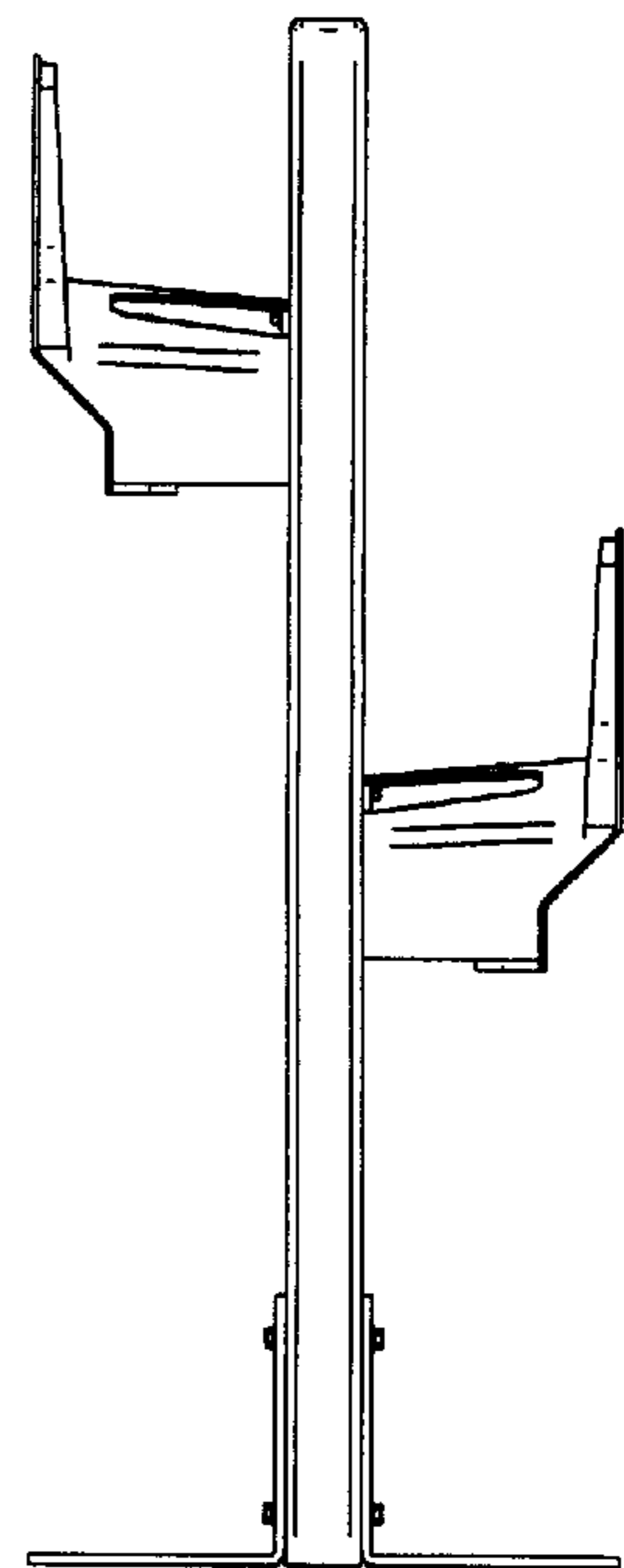


Fig. 5

