



US00D450200B1

(12) **United States Design Patent**  
**Lowe**

(10) **Patent No.:** **US D450,200 S**

(45) **Date of Patent:** **\*\* Nov. 13, 2001**

(54) **HINGE MOUNTABLE RACK WITH SWIVEL ARMS**

(76) **Inventor:** **Richard Bernard Lowe**, 5515 Rosslyn Ave., Indianapolis, IN (US) 46220

(\*\*) **Term:** **14 Years**

(21) **Appl. No.:** **29/128,171**

(22) **Filed:** **Aug. 18, 2000**

(51) **LOC (7) Cl.** ..... **06-99**

(52) **U.S. Cl.** ..... **D6/411; D6/460**

(58) **Field of Search** ..... D6/403, 405, 410-417, D6/455, 458-461; 47/39, 47; 211/133, 205, 207; 248/159, 165, 167, 188.1

(56) **References Cited**

**U.S. PATENT DOCUMENTS**

D. 202,464 \* 10/1965 Silverstein et al. .... D6/415 X

D. 298,460 \* 11/1988 Pryor ..... D6/405  
D. 326,573 \* 6/1992 Crawford et al. .... D6/460 X  
D. 385,716 \* 11/1997 Hudson et al. .... D6/417  
D. 387,216 \* 12/1997 Stone ..... D6/411

\* cited by examiner

*Primary Examiner*—Nanda Bondade

(74) *Attorney, Agent, or Firm*—Richard B Lowe

(57) **CLAIM**

The ornamental design for a hinge mountable rack with swivel arms, as shown and described.

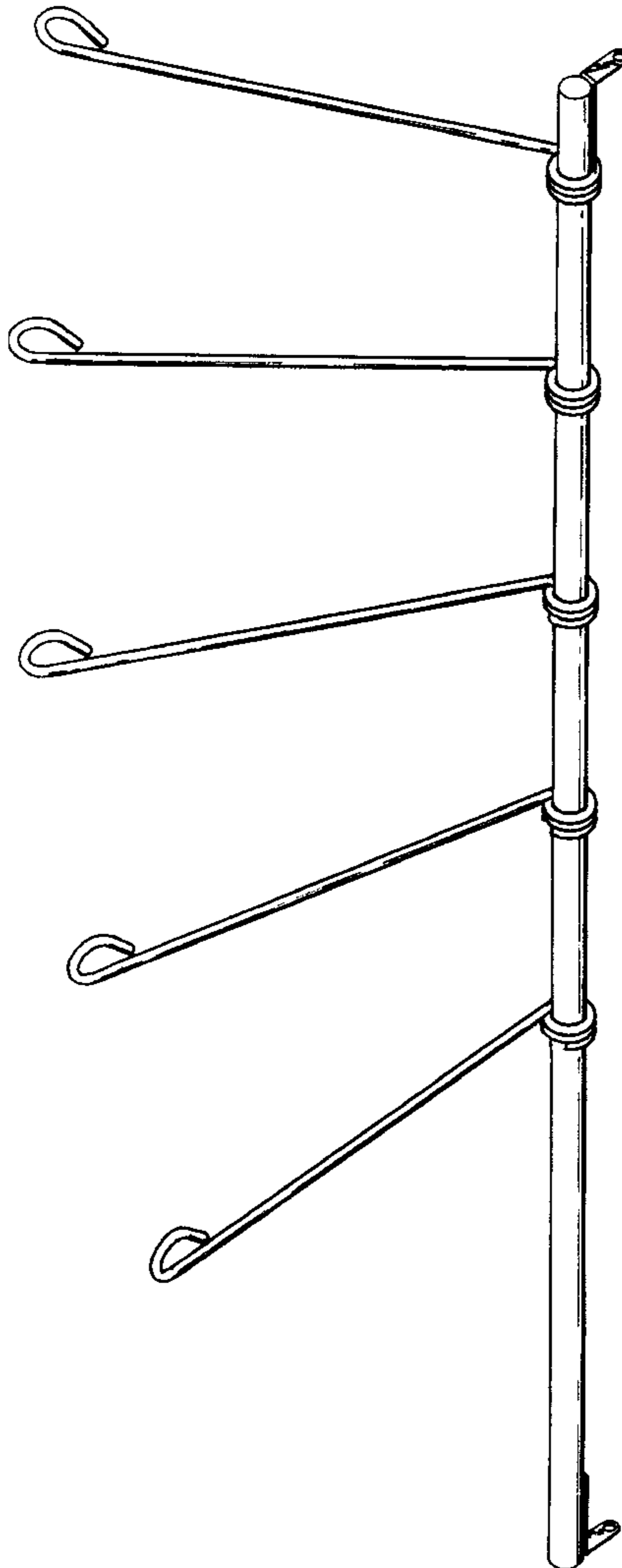
**DESCRIPTION**

FIG. 1 is a front view of a hinge mountable rack with swivel arms showing my design;

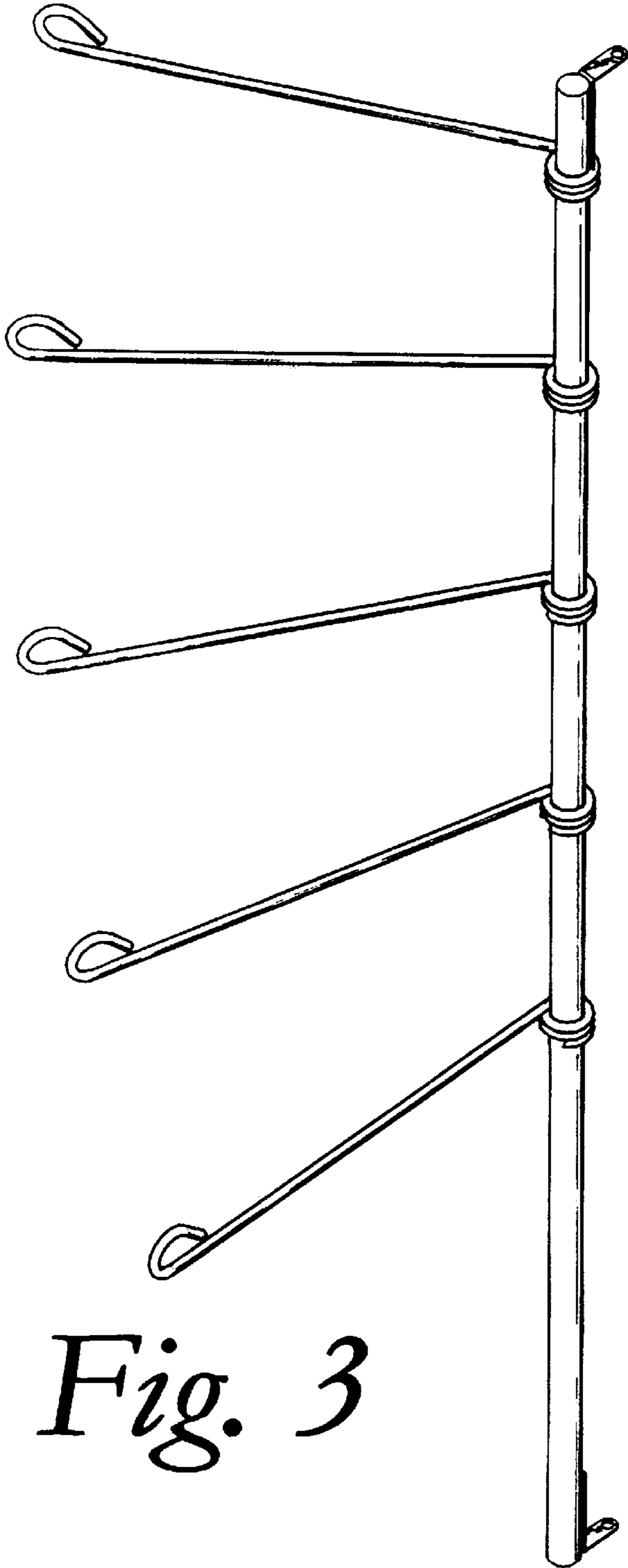
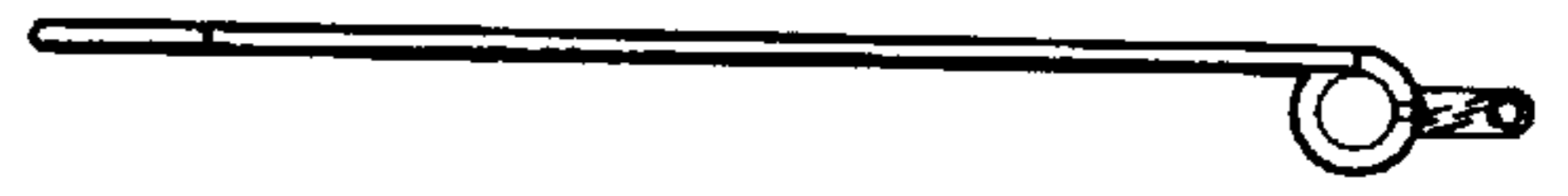
FIG. 2 is a top view thereof; and,

FIG. 3 is a perspective view.

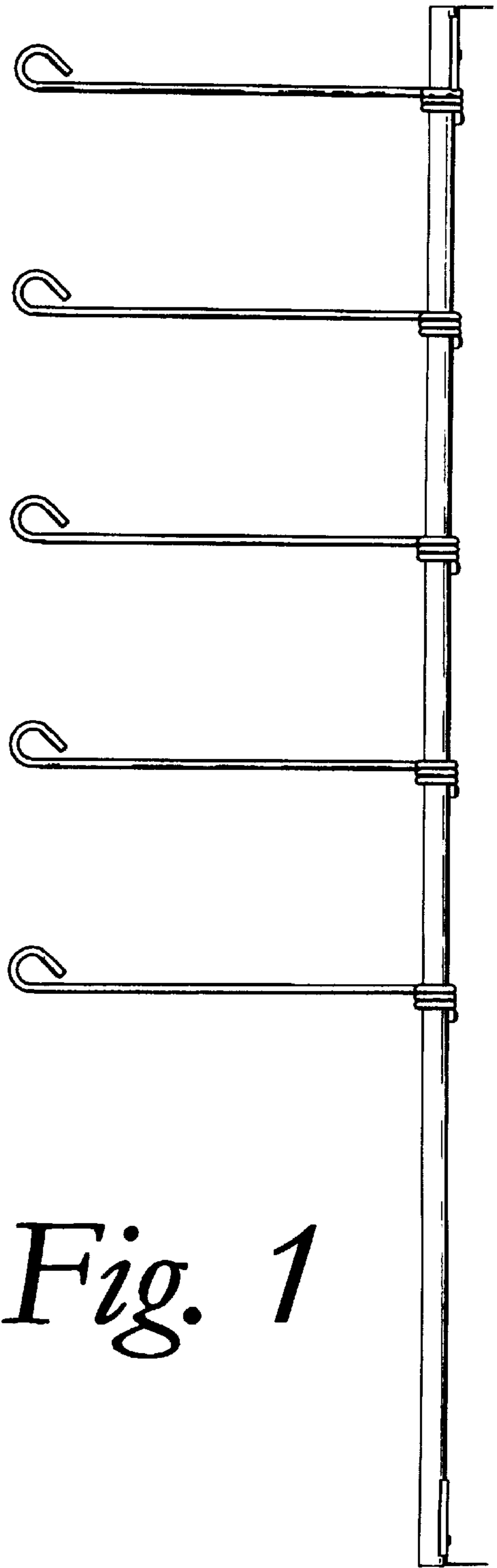
**1 Claim, 1 Drawing Sheet**



*Fig. 2*



*Fig. 3*



*Fig. 1*