



US00D450199B1

(12) **United States Design Patent**
White

(10) **Patent No.:** **US D450,199 S**

(45) **Date of Patent:** **** Nov. 13, 2001**

(54) **STORAGE RACK FOR COMPACT DISKS**

(75) Inventor: **Jeffrey A. White**, Del Mar, CA (US)

(73) Assignee: **Boltz, Inc.**, Carlsbad, CA (US)

(**) Term: **14 Years**

(21) Appl. No.: **29/123,202**

(22) Filed: **May 10, 2000**

Related U.S. Application Data

(63) Continuation of application No. 29/095,382, filed on Oct. 22, 1998, now Pat. No. Des. 426,977.

(51) **LOC (7) Cl.** **06-04**

(52) **U.S. Cl.** **D6/407; D6/462; D6/630**

(58) **Field of Search** D6/407, 626-630,
D6/462-468, 457, 473-476, 556-567, 570-572,
553; D32/55, 58; 211/40, 41.1, 41.2, 41.3,
41.4, 42, 41.12, 44, 41.18, 48, 181.1; 206/307,
307.1, 308, 308.1, 308.3, 387.1, 387.11-387.15;
312/92, 9.47, 9.48, 9.64, 9.51-9.55

(56) **References Cited**

U.S. PATENT DOCUMENTS

D. 190,501	6/1961	Von Meyer .	
D. 283,472 *	4/1986	Wattles	D6/463
D. 290,201	6/1987	Wilder .	
D. 309,998 *	8/1990	Sumrell et al.	D6/567
D. 328,986 *	9/1992	Lightfoot	D6/407
D. 341,500 *	11/1993	Klein et al.	D6/411
D. 364,047	11/1995	Bucher .	
D. 426,977 *	6/2000	White	D6/407
D. 428,277 *	7/2000	White	D6/407
D. 429,940 *	8/2000	White	D6/630
D. 431,954 *	10/2000	White	D6/630
2,152,192	3/1939	Hoffman .	
2,620,929 *	12/1952	Sportsman	108/28

(List continued on next page.)

Primary Examiner—Jeffrey Asch

(74) *Attorney, Agent, or Firm*—Marshall, Gerstein, & Borun

(57) **CLAIM**

The ornamental design for a storage rack for compact disks, as shown and described.

DESCRIPTION

FIG. 1 is an isometric view of a storage rack for compact disks showing my new design, the isometric view from the opposite side being the mirror image thereof;

FIG. 2 is a front elevational view thereof, with the cross members shown incomplete for convenience of illustration;

FIG. 3 is a top plan view of FIG. 2, with the cross members shown incomplete for convenience of illustration;

FIG. 4 is an end elevational view, the opposite end being a mirror image thereof;

FIG. 5 is an isometric view of an alternative embodiment of the storage rack for compact disks showing my new design, the isometric view from the opposite side being the mirror image thereof;

FIG. 6 is a front elevational view thereof, with the cross members shown incomplete for convenience of illustration;

FIG. 7 is a top plan view of FIG. 6, with the cross members shown incomplete for convenience of illustration;

FIG. 8 is an isometric view of a further alternative embodiment of a storage rack for compact disks showing my new design, the isometric view from the opposite side being the mirror image thereof;

FIG. 9 is a front elevational view thereof, with the cross members shown incomplete for convenience of illustration;

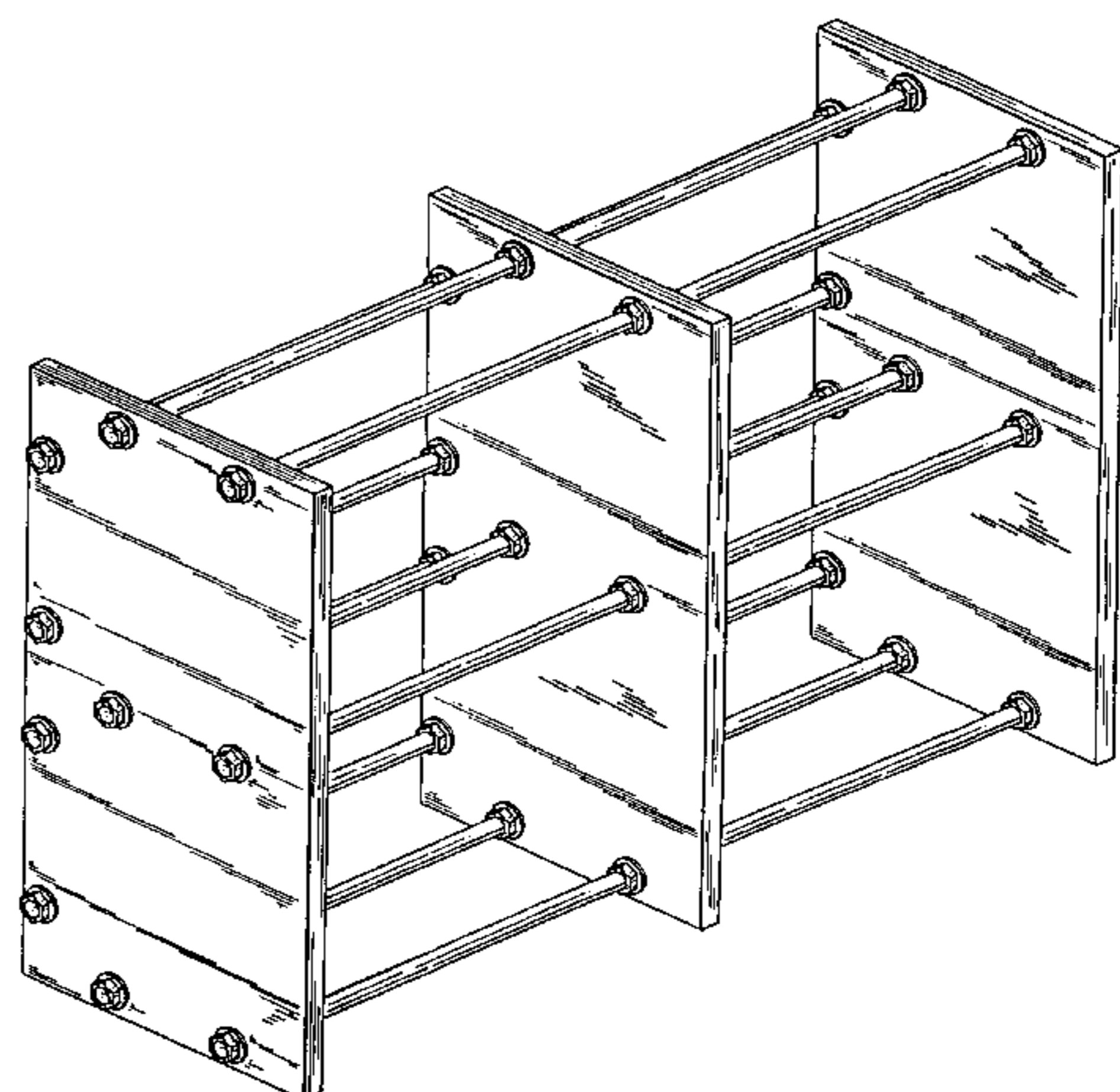
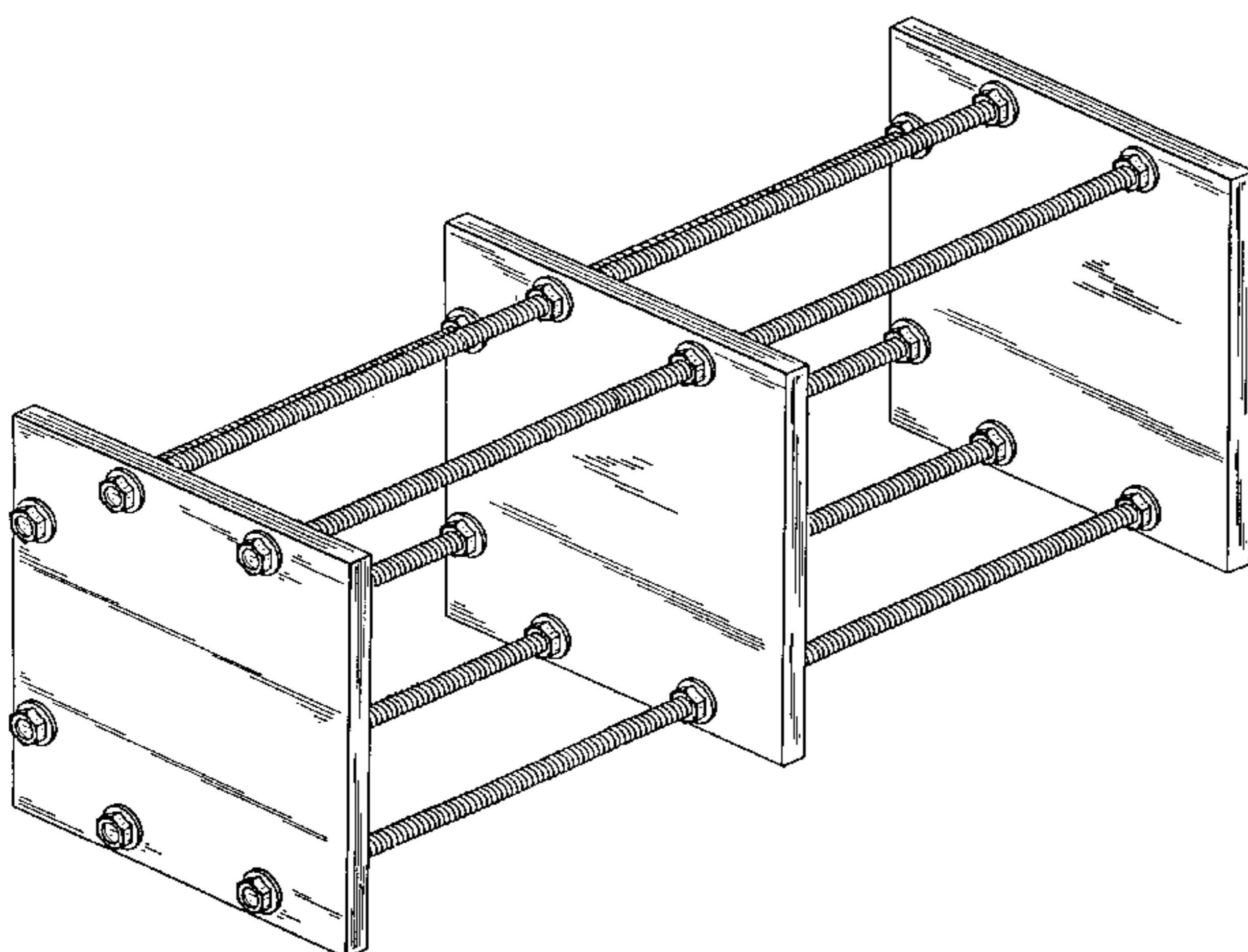
FIG. 10 is a top plan view of FIG. 9, with the cross members shown incomplete for convenience of illustration;

FIG. 11 is an isometric view of a still further alternative embodiment of the storage rack for compact disks showing my new design, the isometric view from the opposite side being the mirror image thereof;

FIG. 12 is a front elevational view thereof, with the cross members shown incomplete for convenience of illustration; and,

FIG. 13 is a top plan view of FIG. 12, with the cross members shown incomplete for convenience of illustration.

1 Claim, 13 Drawing Sheets



US D450,199 S

Page 2

U.S. PATENT DOCUMENTS

			5,762,208	6/1998	Yeh .	
			6,142,323	* 11/2000	Veil, Sr. et al.	211/184
4,196,812	*	4/1980	McInnis		211/40
4,896,778	*	1/1990	Ferdinand et al.		211/175

* cited by examiner

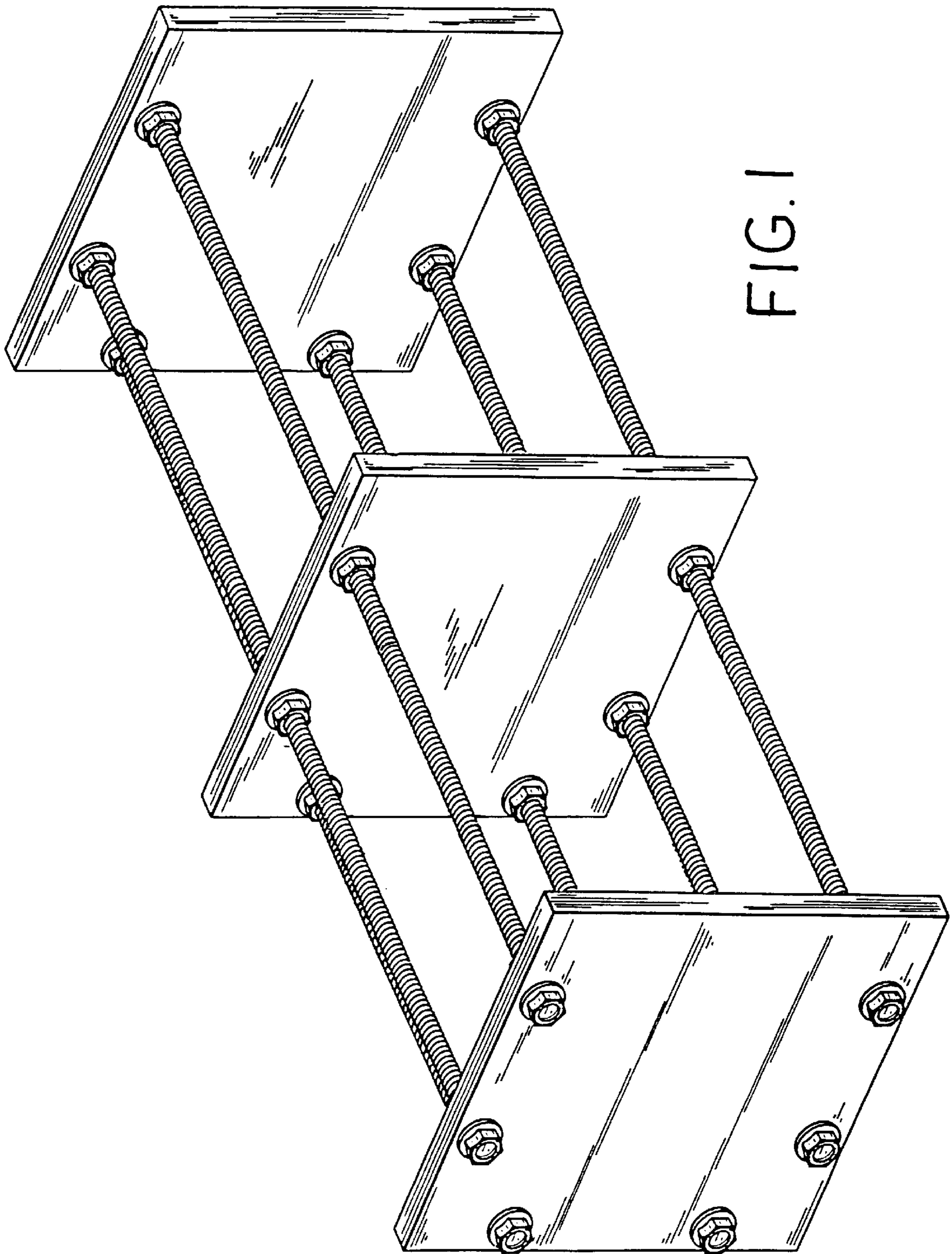


FIG. 1

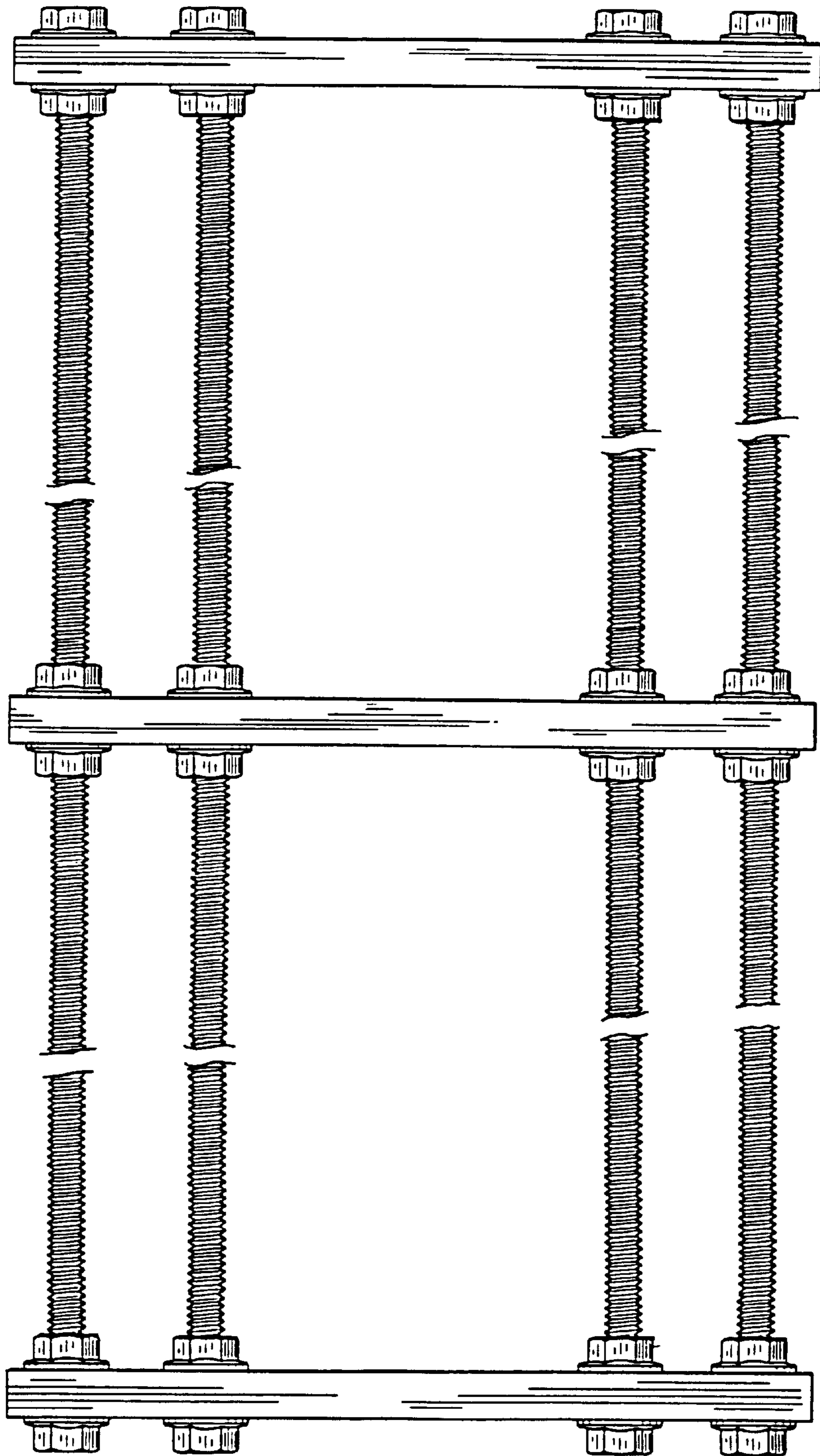


FIG. 2

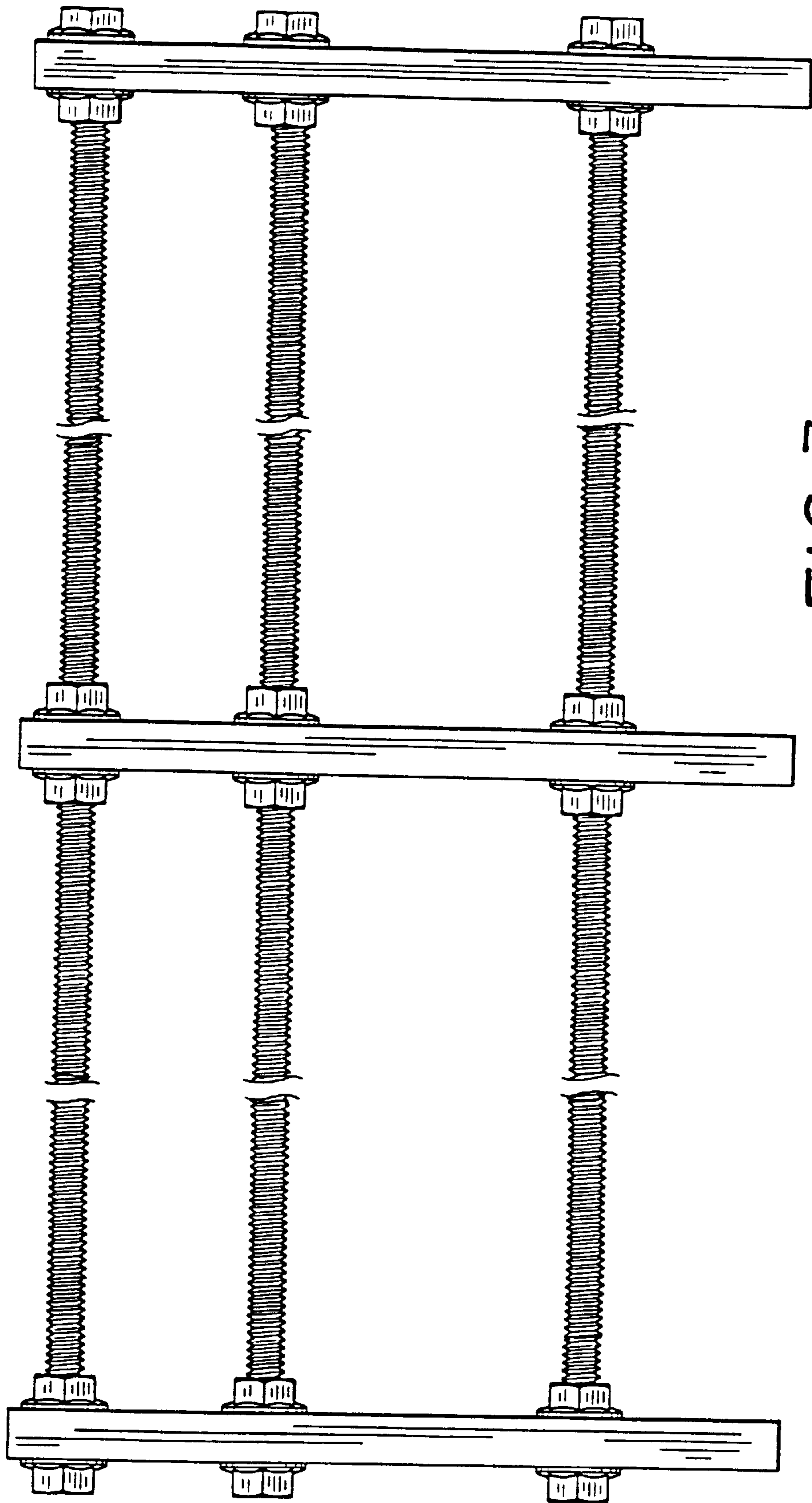


FIG. 3

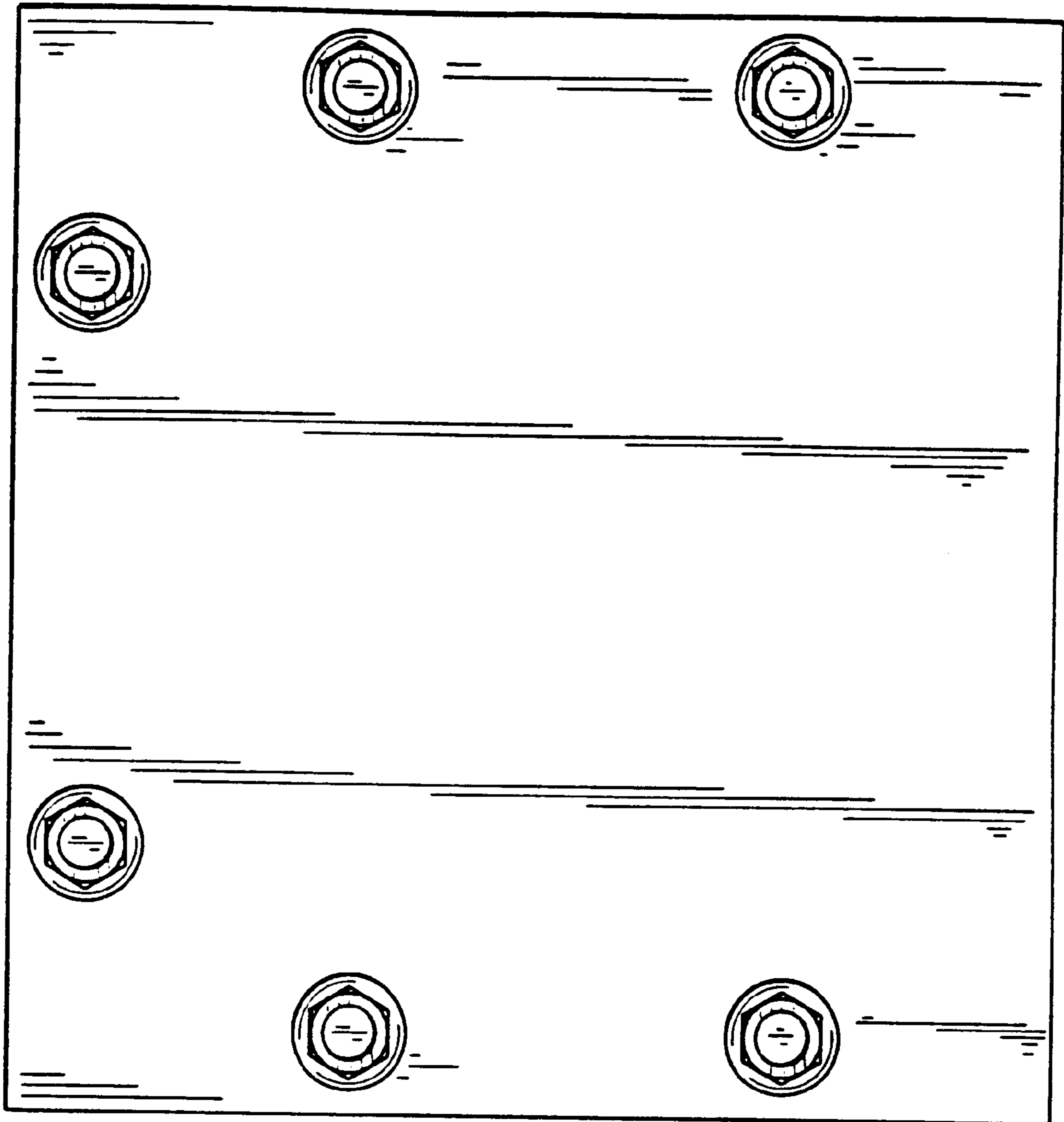


FIG. 4

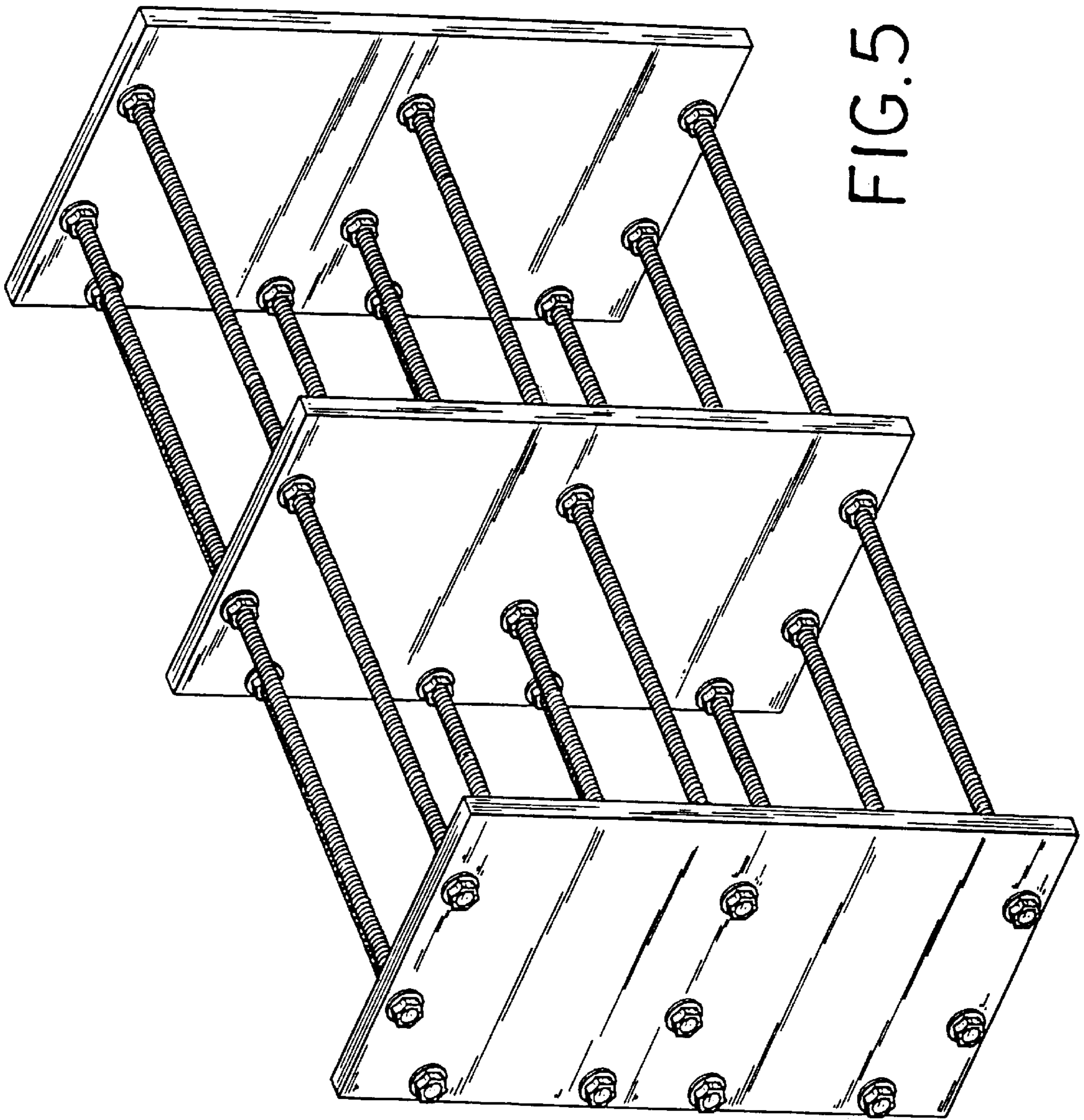


FIG. 5

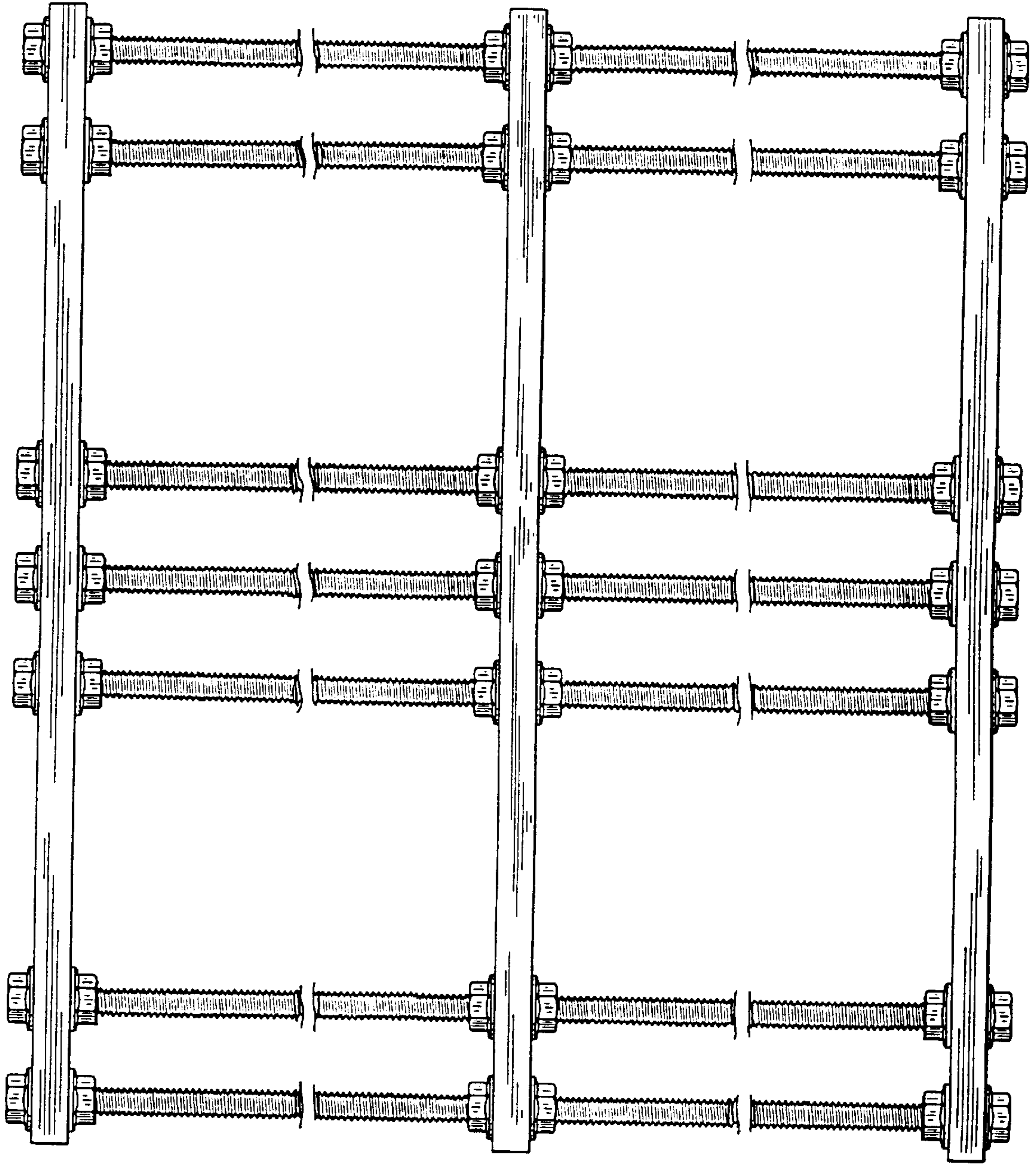


FIG. 6

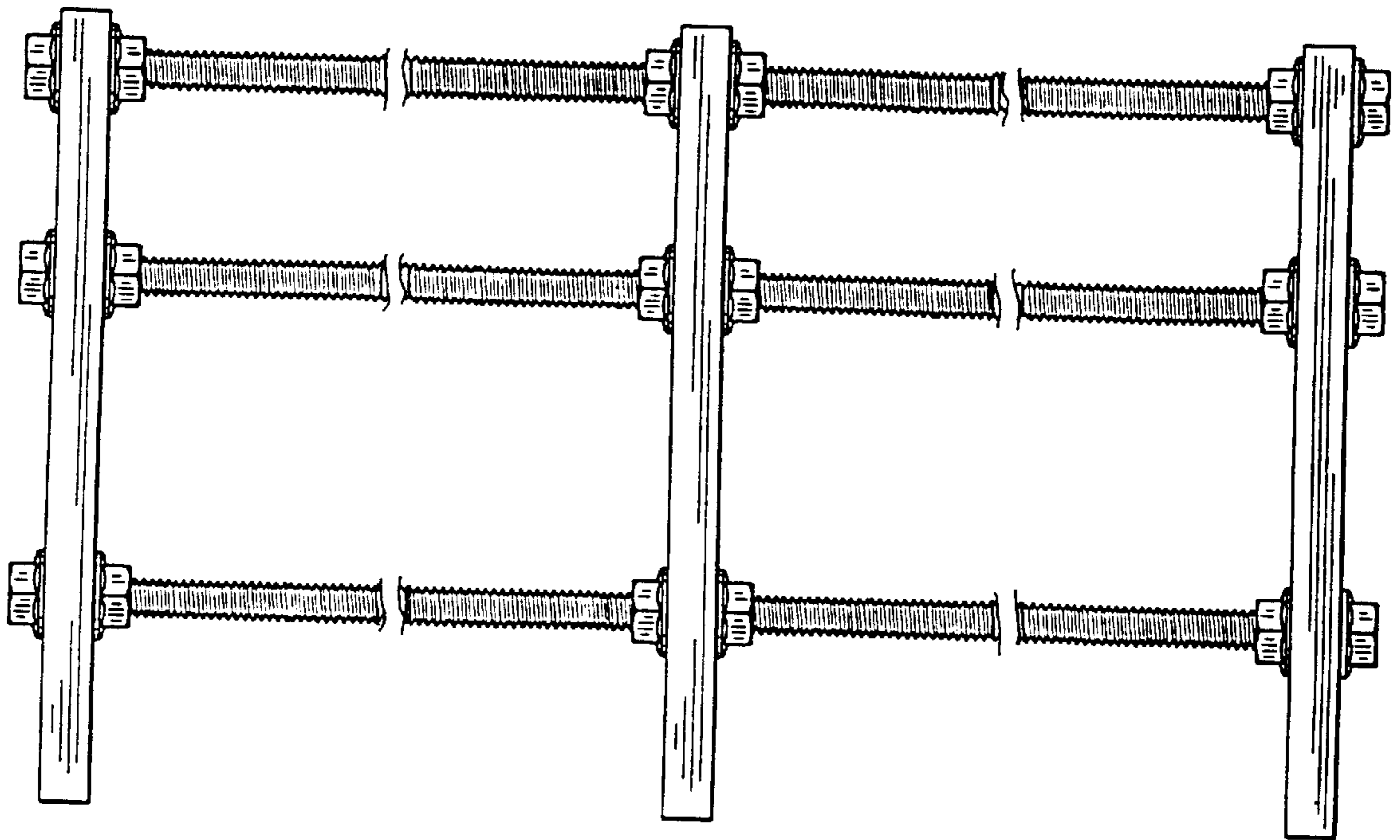


FIG. 7

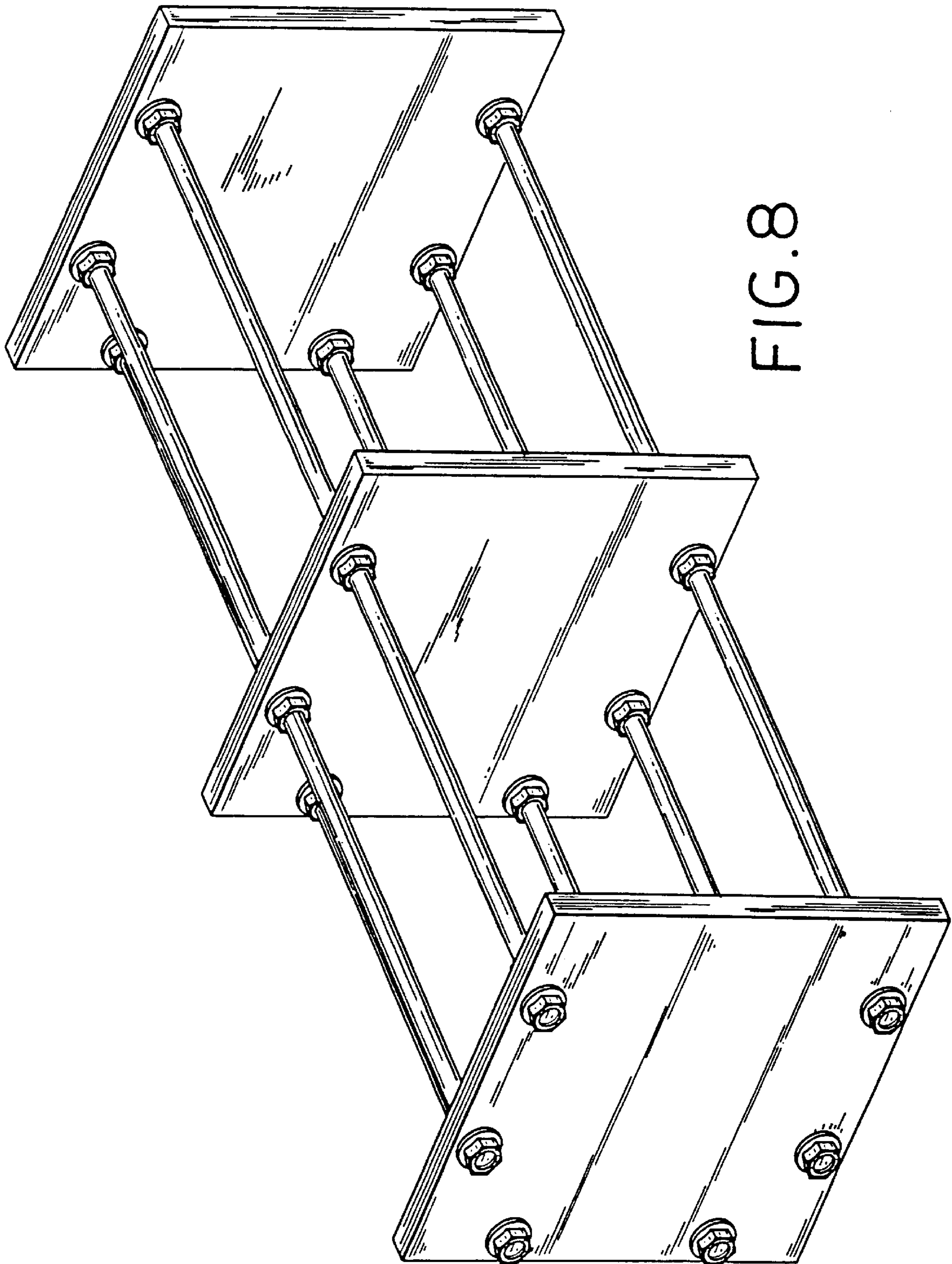


FIG. 8

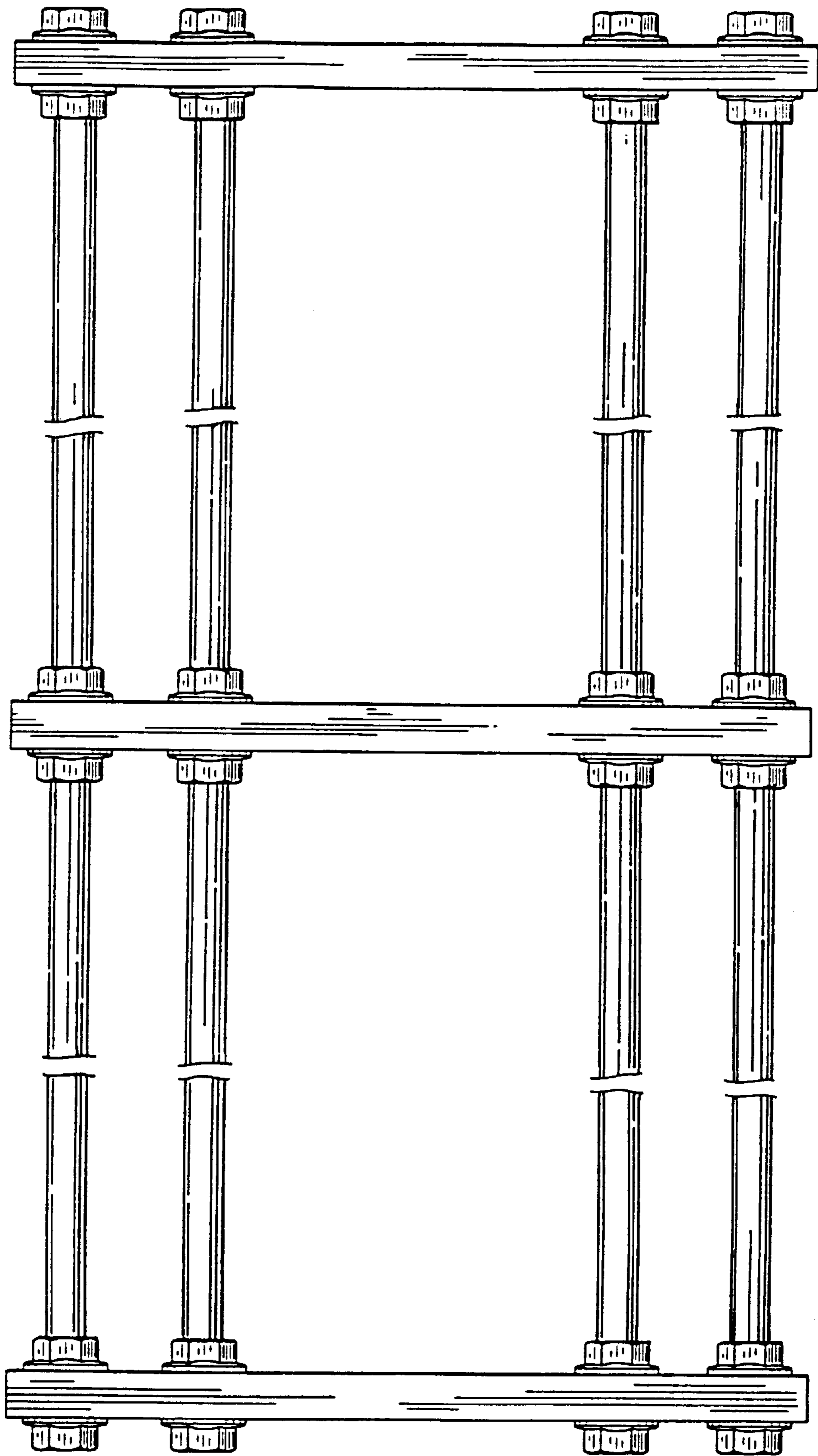


FIG. 9

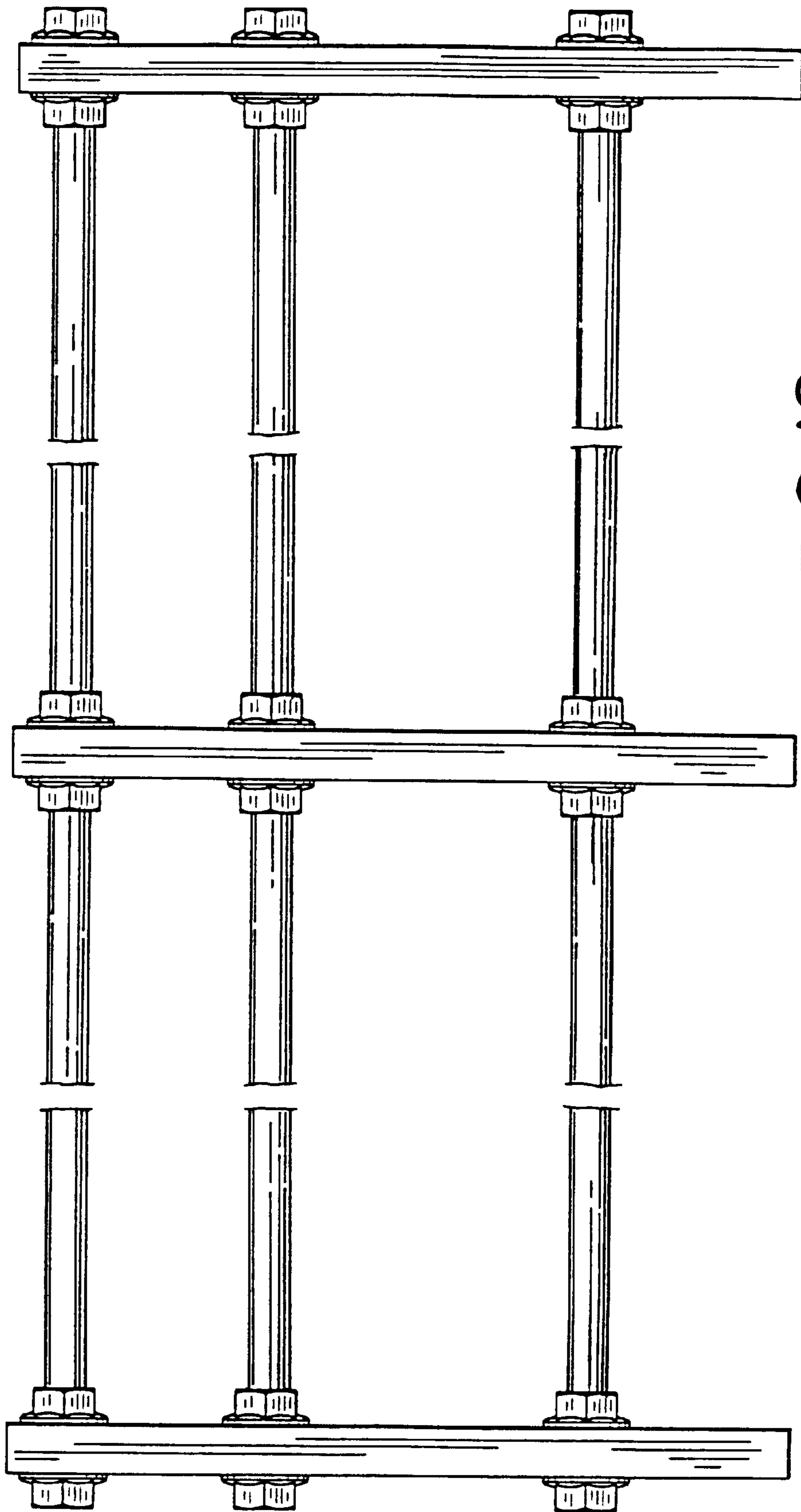


FIG. 10

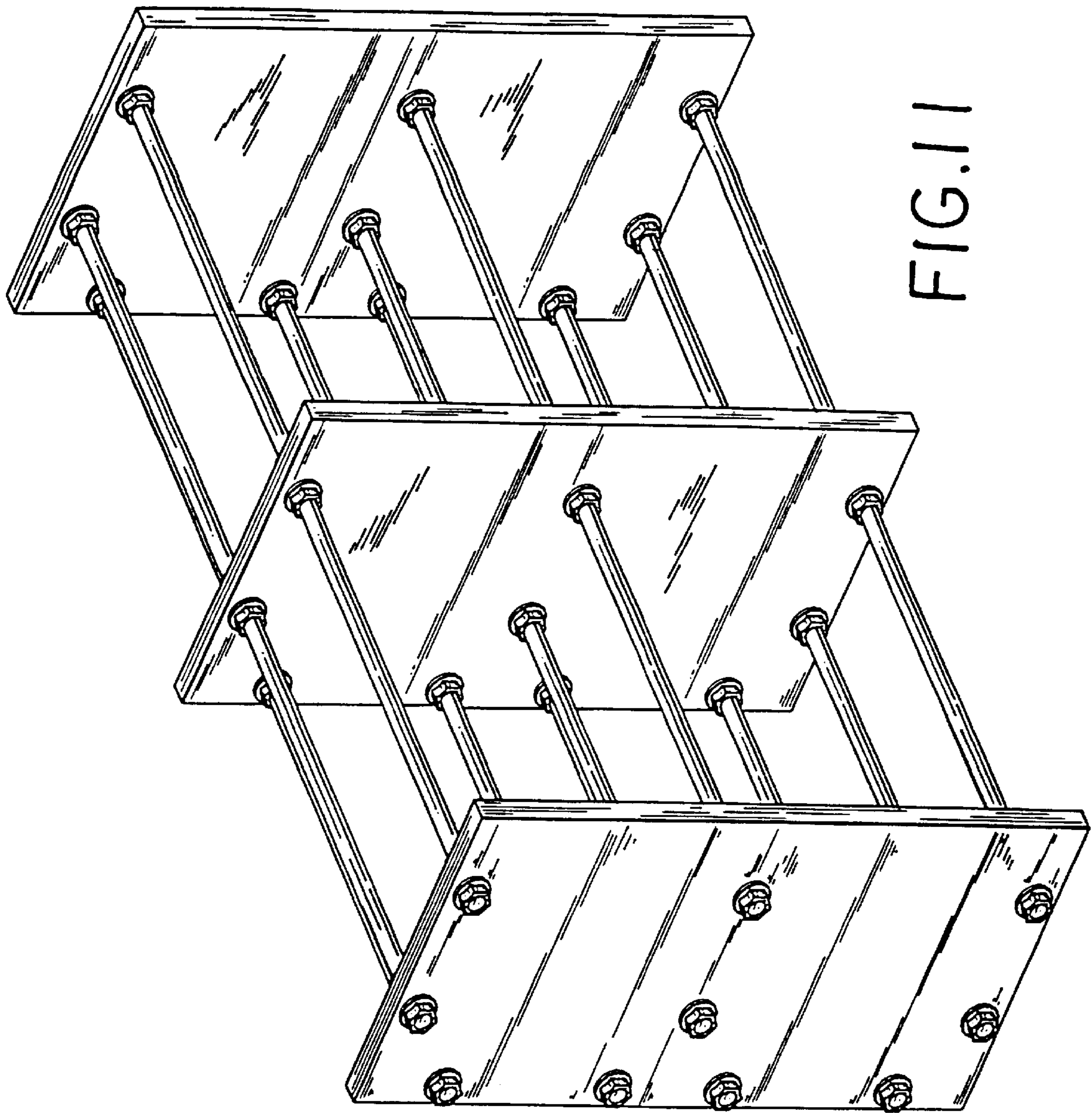


FIG. 11

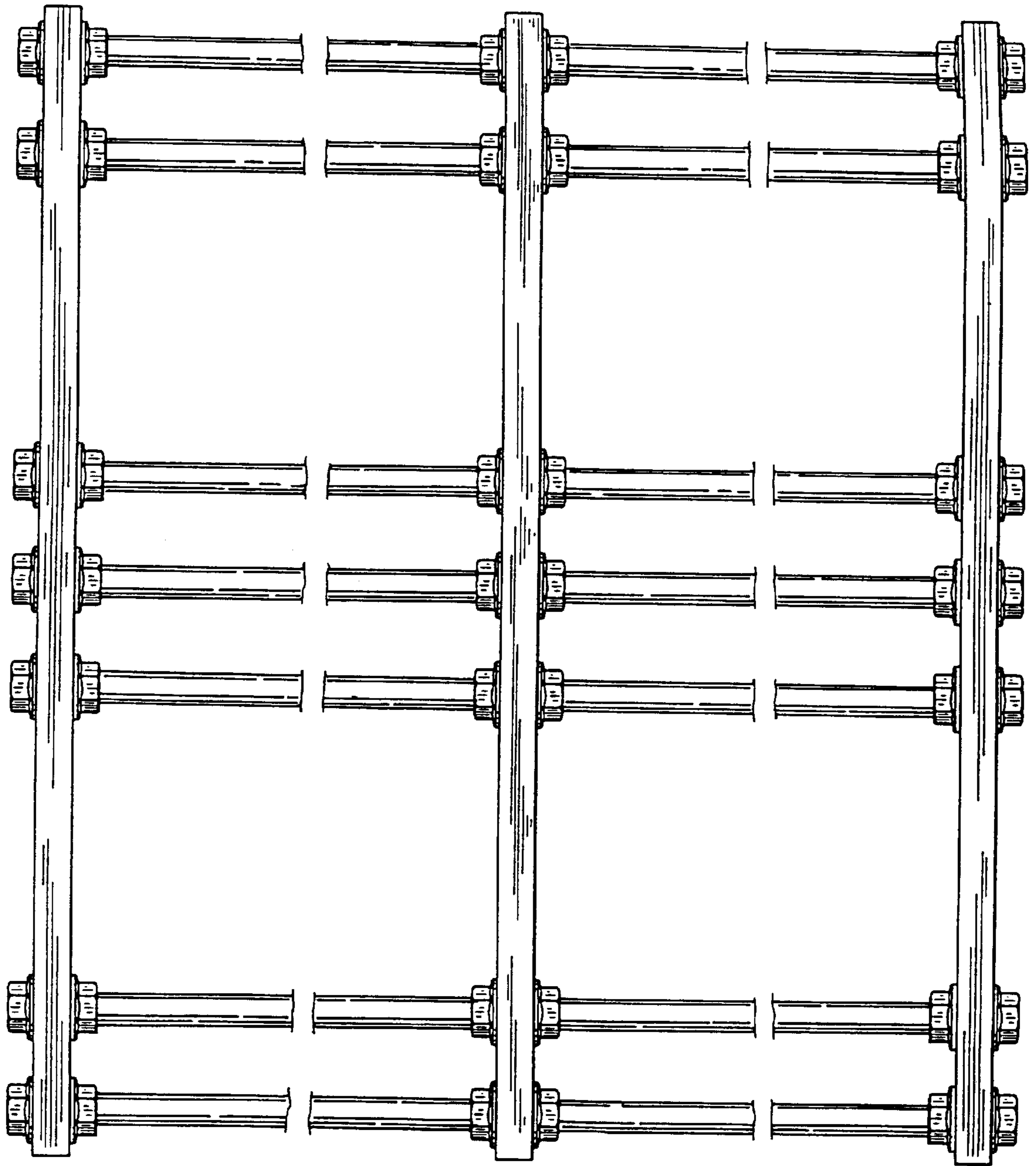


FIG.12

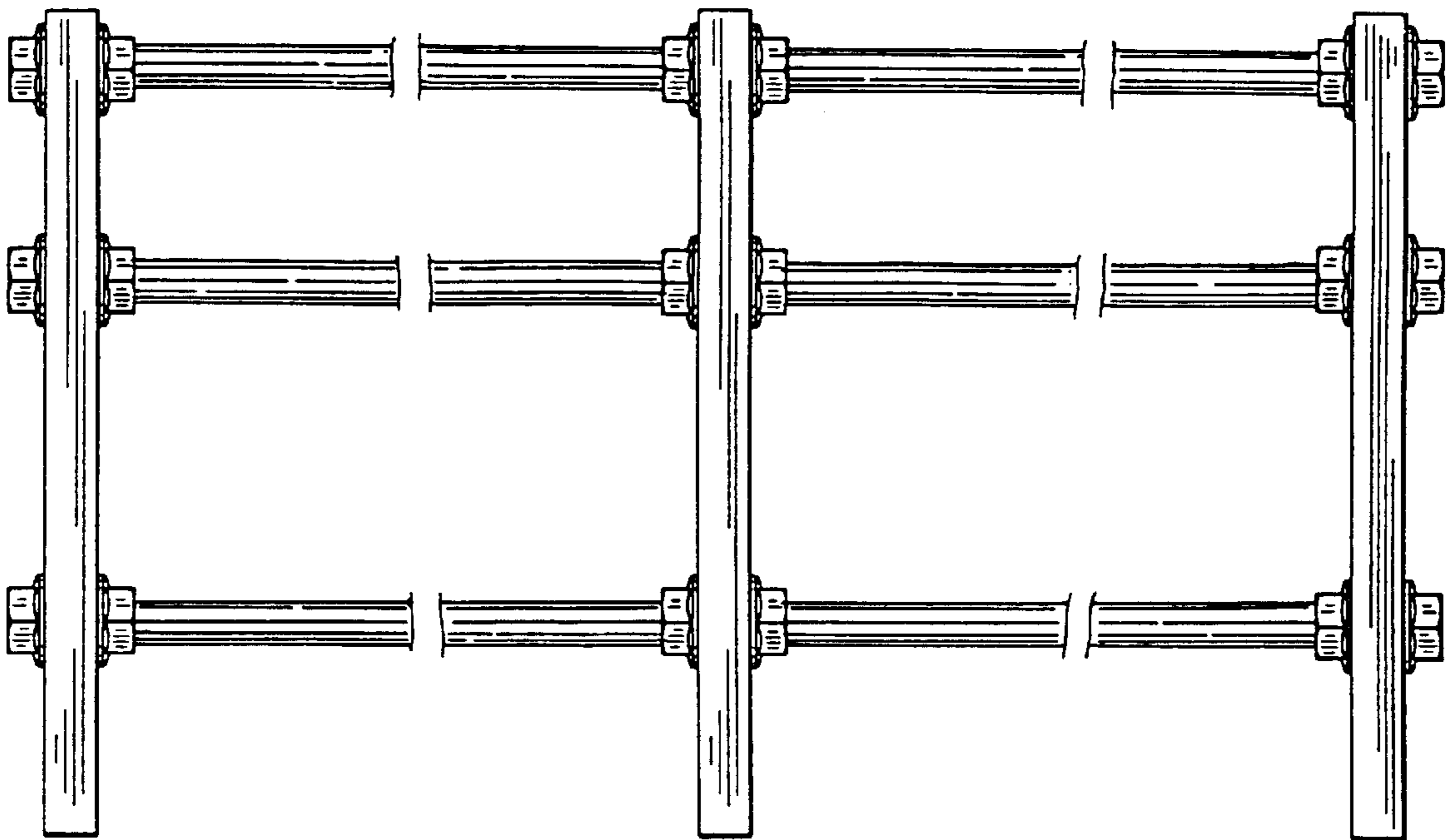


FIG. 13