



US00D450194B1

(12) **United States Design Patent**  
**Liu**

(10) **Patent No.:** **US D450,194 S**

(45) **Date of Patent:** **\*\* Nov. 13, 2001**

(54) **OUTDOOR LEISURE ROCKING CHAIR**

3,825,299 \* 7/1974 Gaucher ..... 297/157.1  
5,902,187 \* 5/1999 Boring ..... 472/125

(76) Inventor: **Lausan Chung-Hsin Liu**, No. 243,  
Chien-Kuo Rd., Hsin-Tien City, Taipei  
Hsien (TW)

\* cited by examiner

(\*\*) Term: **14 Years**

*Primary Examiner*—Caron D. Veynar

*Assistant Examiner*—Mimosa De

(74) *Attorney, Agent, or Firm*—Bacon & Thomas, PLLC

(21) Appl. No.: **29/139,249**

(57) **CLAIM**

(22) Filed: **Mar. 28, 2001**

The ornamental design for outdoor leisure rocking chair, as shown and described.

(51) **LOC (7) Cl.** ..... **06-01**

(52) **U.S. Cl.** ..... **D6/346**

(58) **Field of Search** ..... D6/334, 335, 344,  
D6/347, 348, 374, 375, 376, 379, 381;  
297/157.1, 174, 232, 245, 257, 273, 280,  
281; 472/118, 125

**DESCRIPTION**

FIG. 1 is a perspective view of outdoor leisure rocking chair showing my new design thereof;

FIG. 2 is a right side elevational view thereof;

FIG. 3 is a top plan view thereof;

FIG. 4 is a front elevational view thereof;

FIG. 5 is a bottom plan view thereof;

FIG. 6 is a left side elevational view thereof; and,

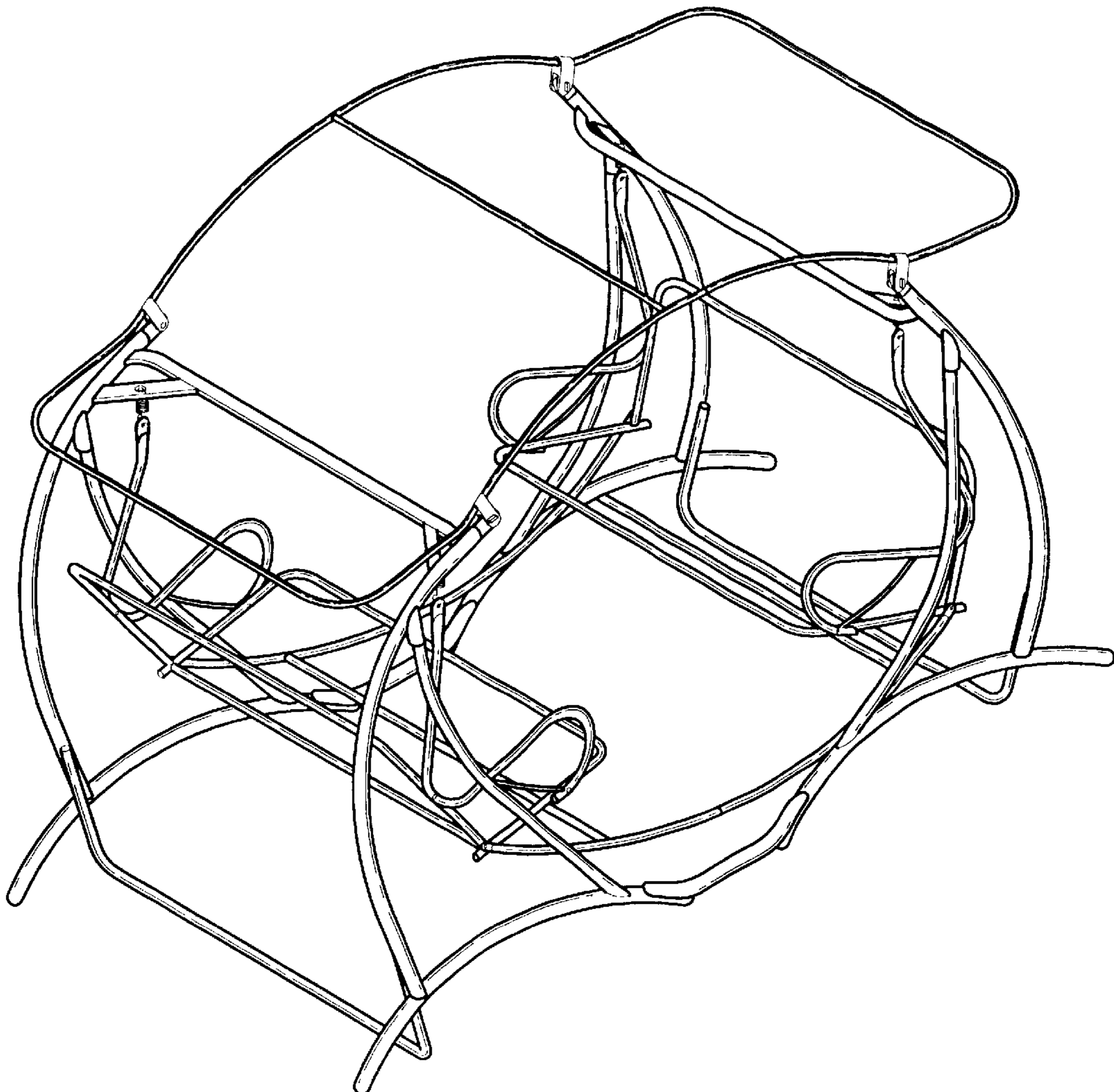
FIG. 7 is a rear elevational view thereof.

(56) **References Cited**

**U.S. PATENT DOCUMENTS**

D. 227,630 \* 7/1973 Gaucher ..... D6/346  
3,044,774 \* 7/1962 Hannas ..... 472/125

**1 Claim, 7 Drawing Sheets**



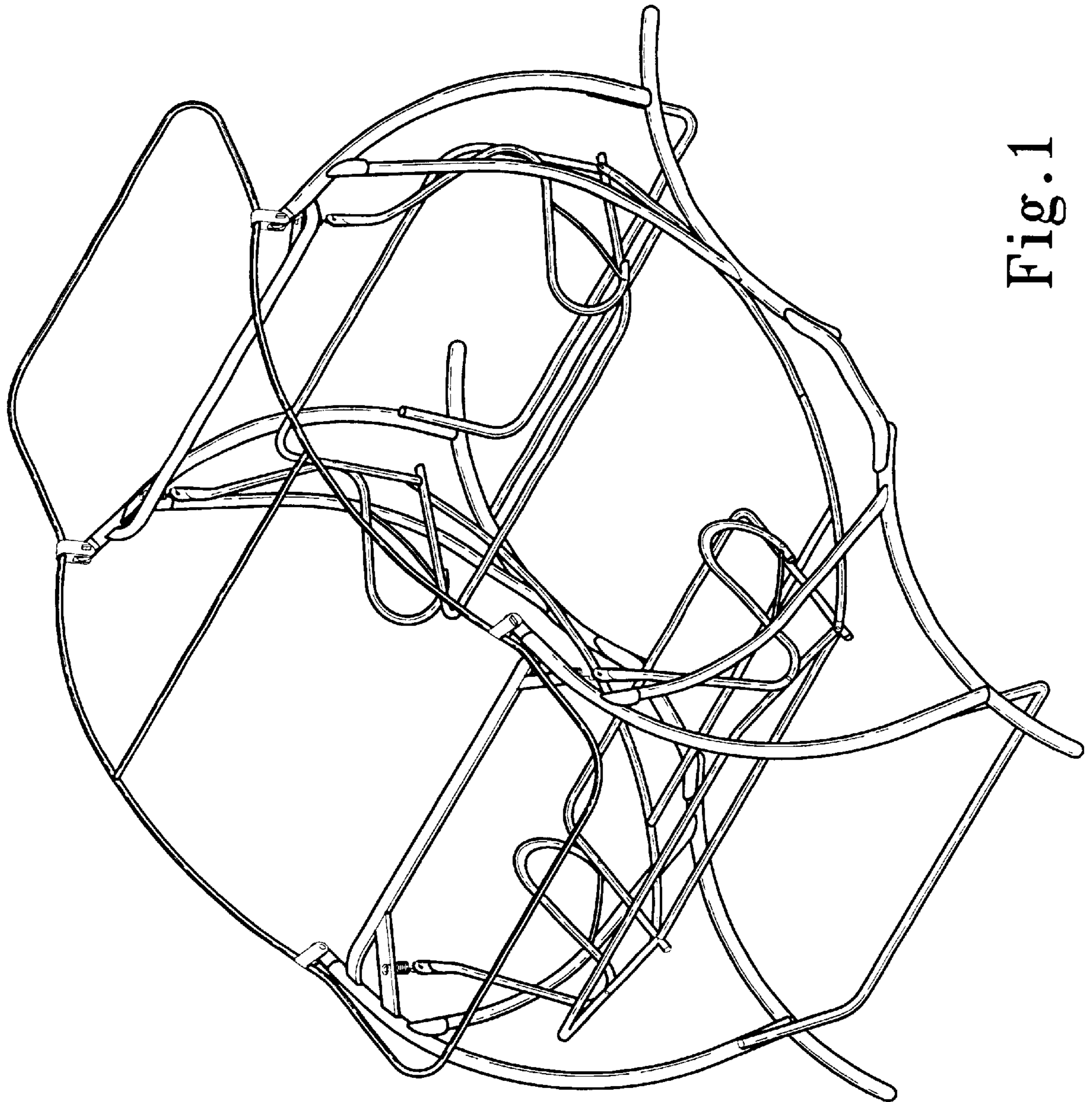
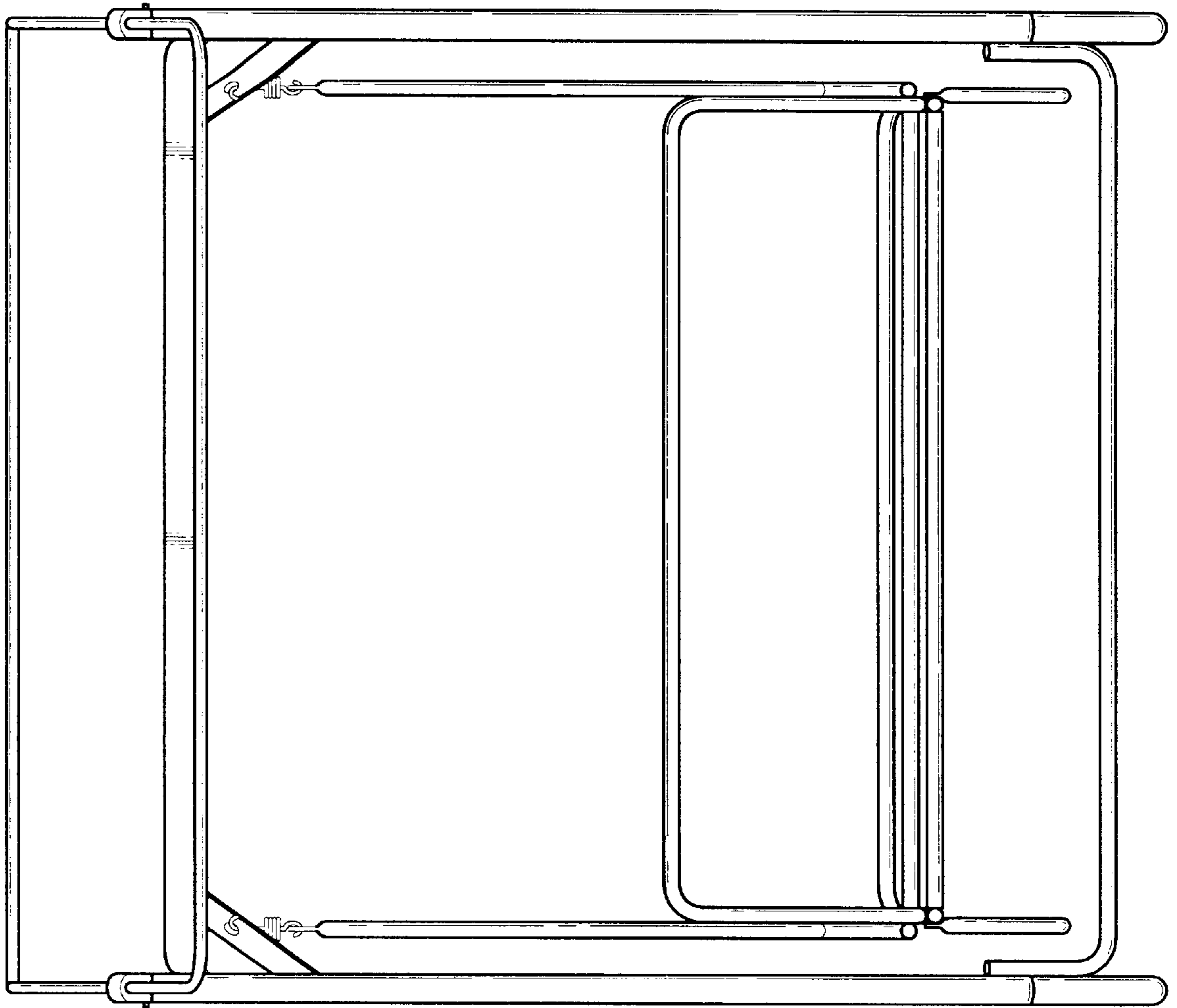


Fig. 1

Fig. 2



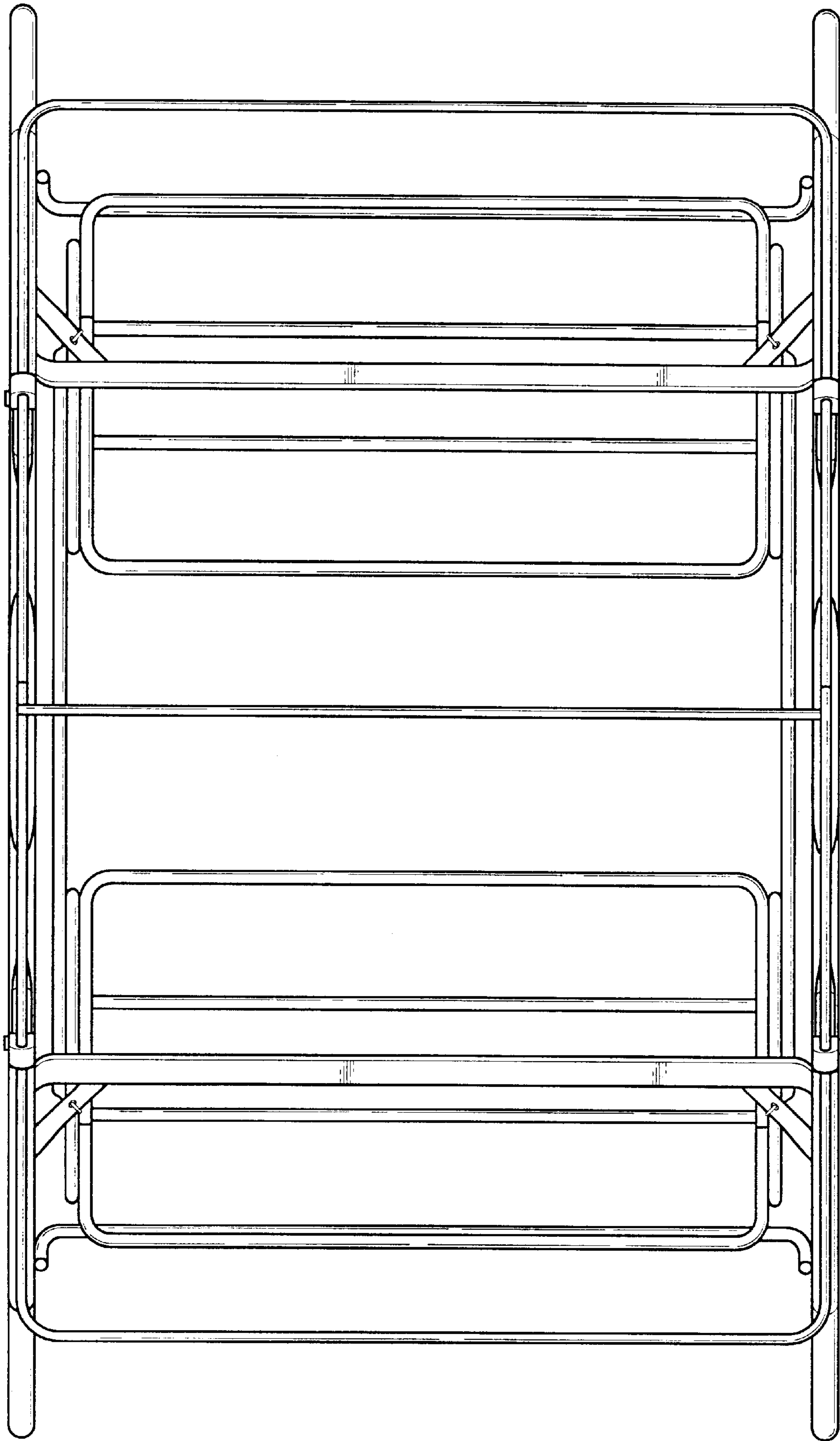


Fig. 3

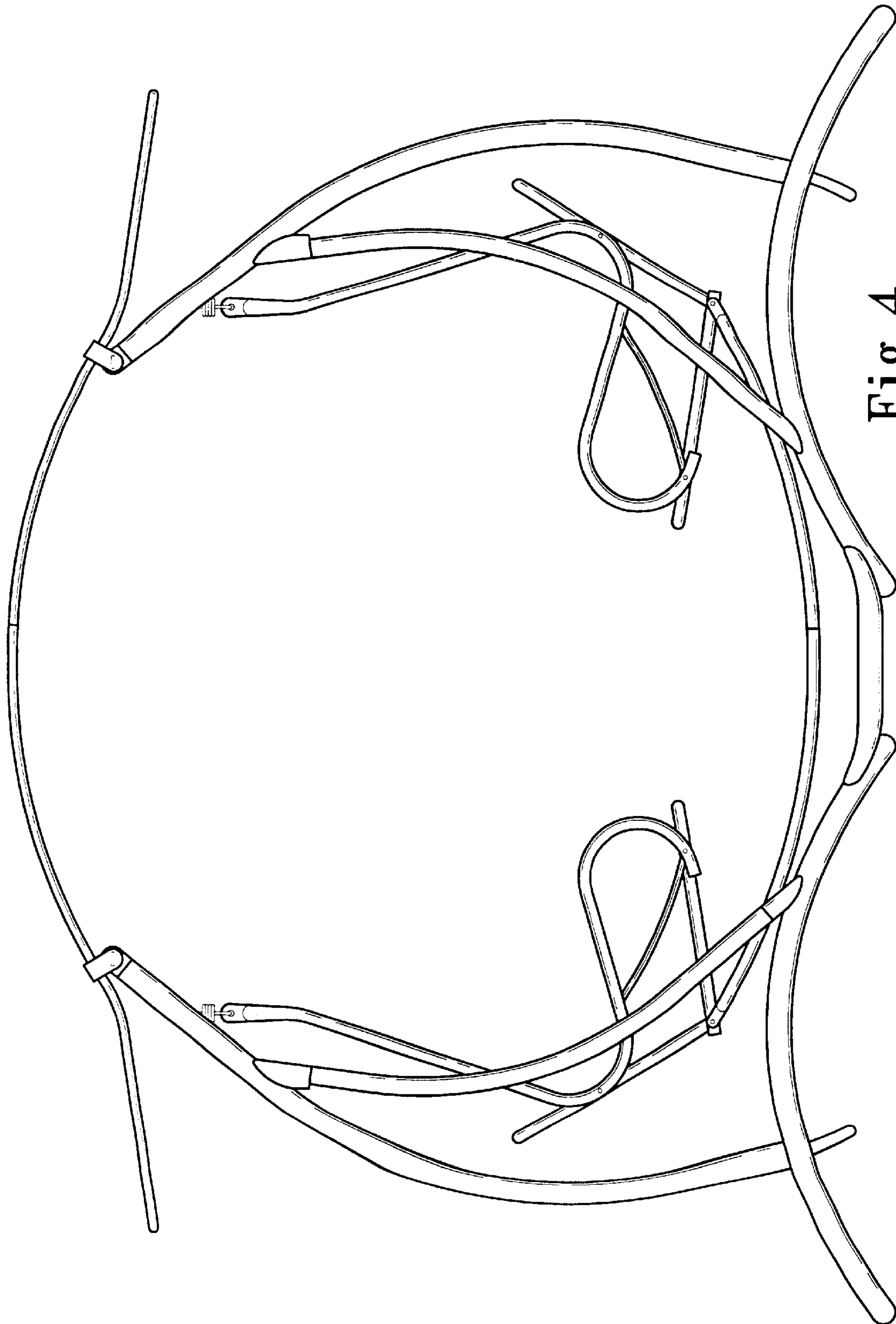


Fig. 4

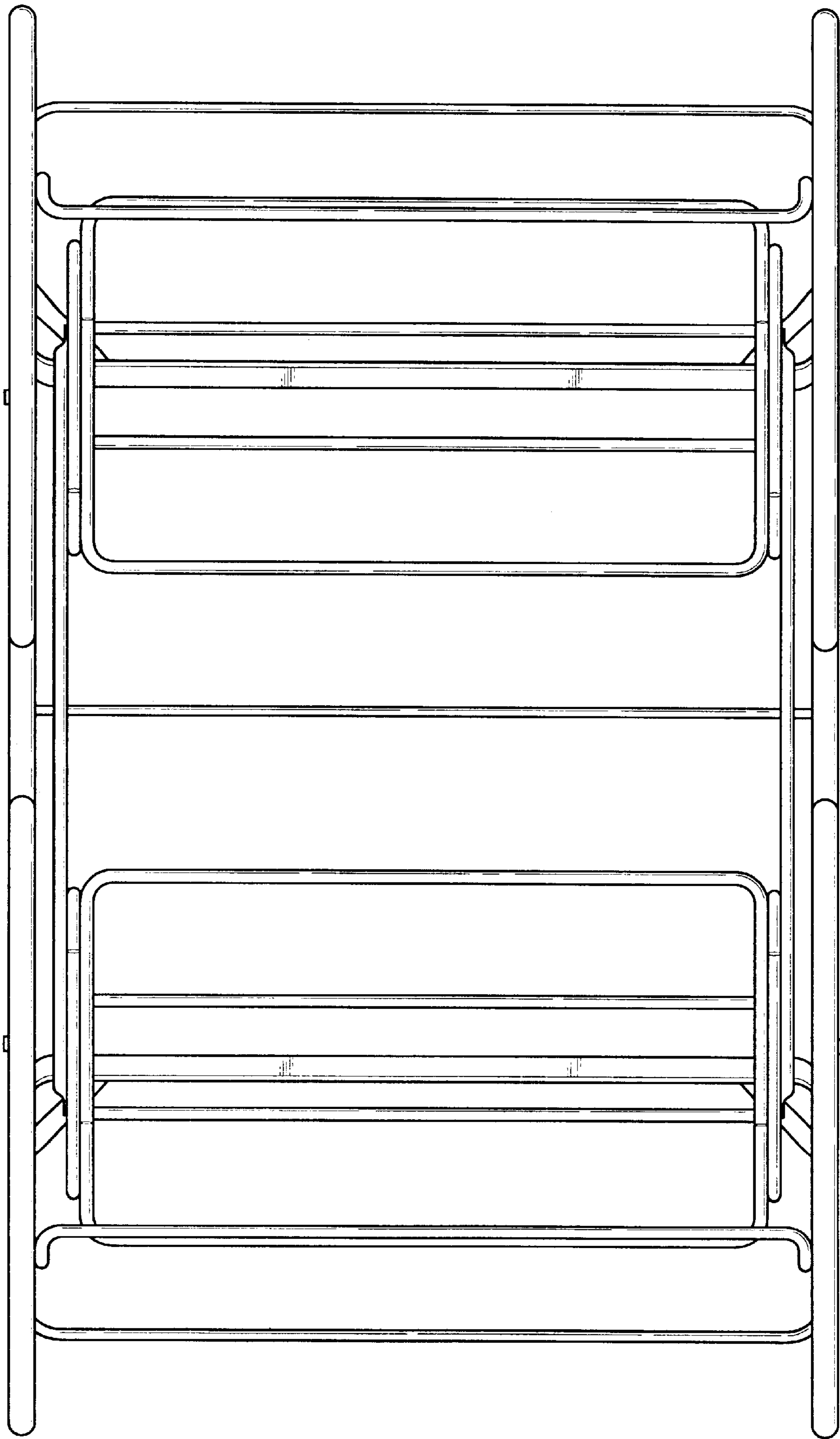


Fig. 5

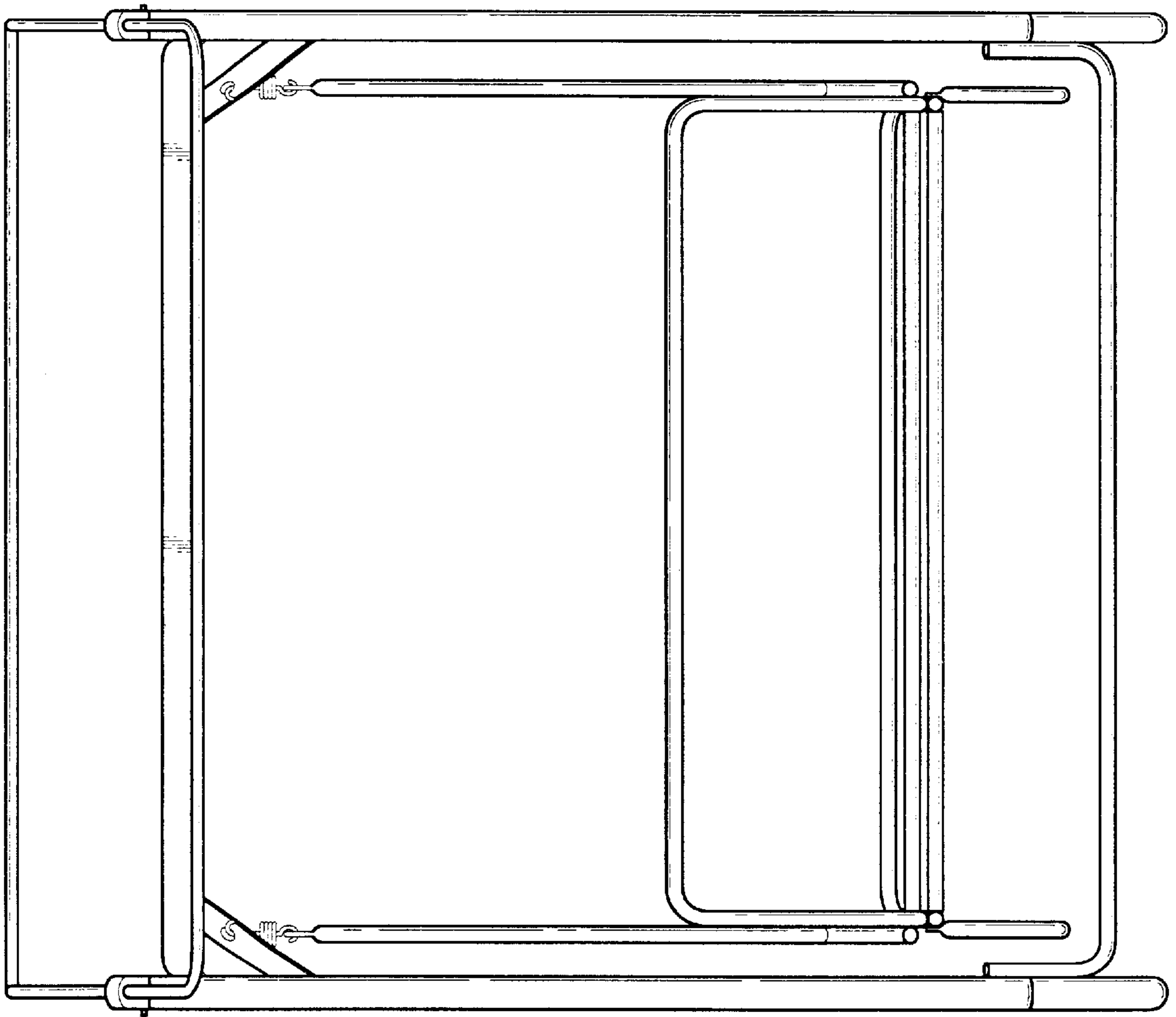


Fig. 6

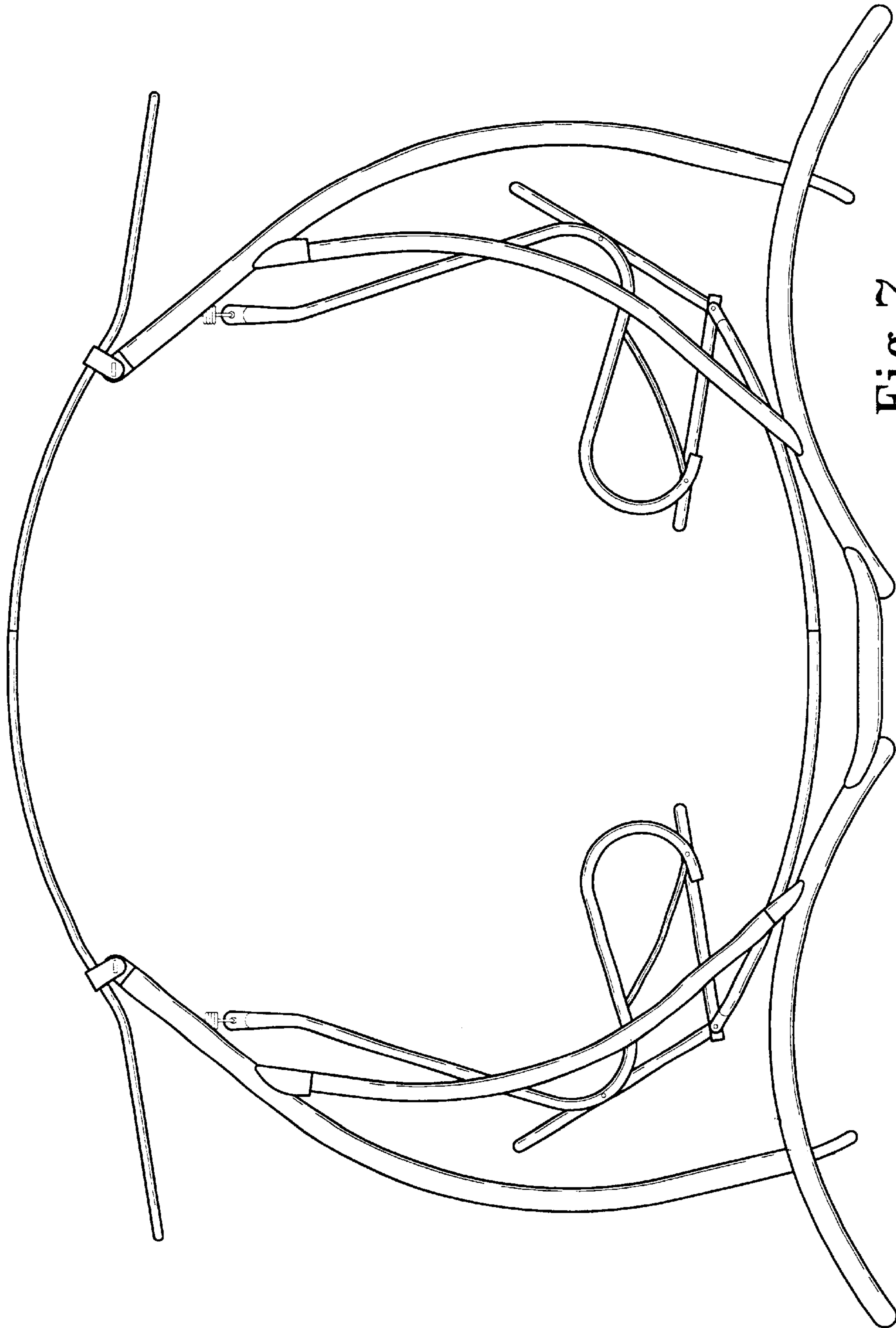


Fig. 7