



US00D450188B1

(12) **United States Design Patent**
Maeng

(10) **Patent No.:** **US D450,188 S**

(45) **Date of Patent:** **** Nov. 13, 2001**

(54) **TOP DIVIDER FOR A GOLF BAG**

(76) Inventor: **Seop Maeng**, 104-601 Jeongdeun village, 200 Jeongja-dong, Bundang-gu, Scongnam-city, Gyeonggi-do (KR)

(**) Term: **14 Years**

(21) Appl. No.: **29/131,040**

(22) Filed: **Oct. 11, 2000**

(51) **LOC (7) Cl.** **03-01**

(52) **U.S. Cl.** **D3/320; D3/255**

(58) **Field of Search** D3/255, 320, 254;
206/315.1, 315.11, 315.6, 315.2, 315.3,
315.8, 315.5

(56) **References Cited**

U.S. PATENT DOCUMENTS

D. 382,406	*	8/1997	Kim	D3/320
D. 389,311	*	1/1998	Wang	D3/320
D. 391,082	*	2/1998	Kim	D3/320
D. 402,469	*	12/1998	Suk	D3/320
D. 405,607	*	2/1999	Sundara et al.	D3/255
D. 407,900	*	4/1999	Baird	D3/320
D. 411,665	*	6/1999	Wang	D3/320
D. 412,789	*	8/1999	Suk	D3/320
D. 422,790	*	4/2000	Cho	D3/320

D. 431,111	*	9/2000	Ryan	D3/320
4,667,820	*	5/1987	Solheim	206/315.6
5,853,086	*	12/1998	Chang	203/315.6

* cited by examiner

Primary Examiner—Philip S. Hyder

(74) *Attorney, Agent, or Firm*—Schmeiser, Olsen & Watts

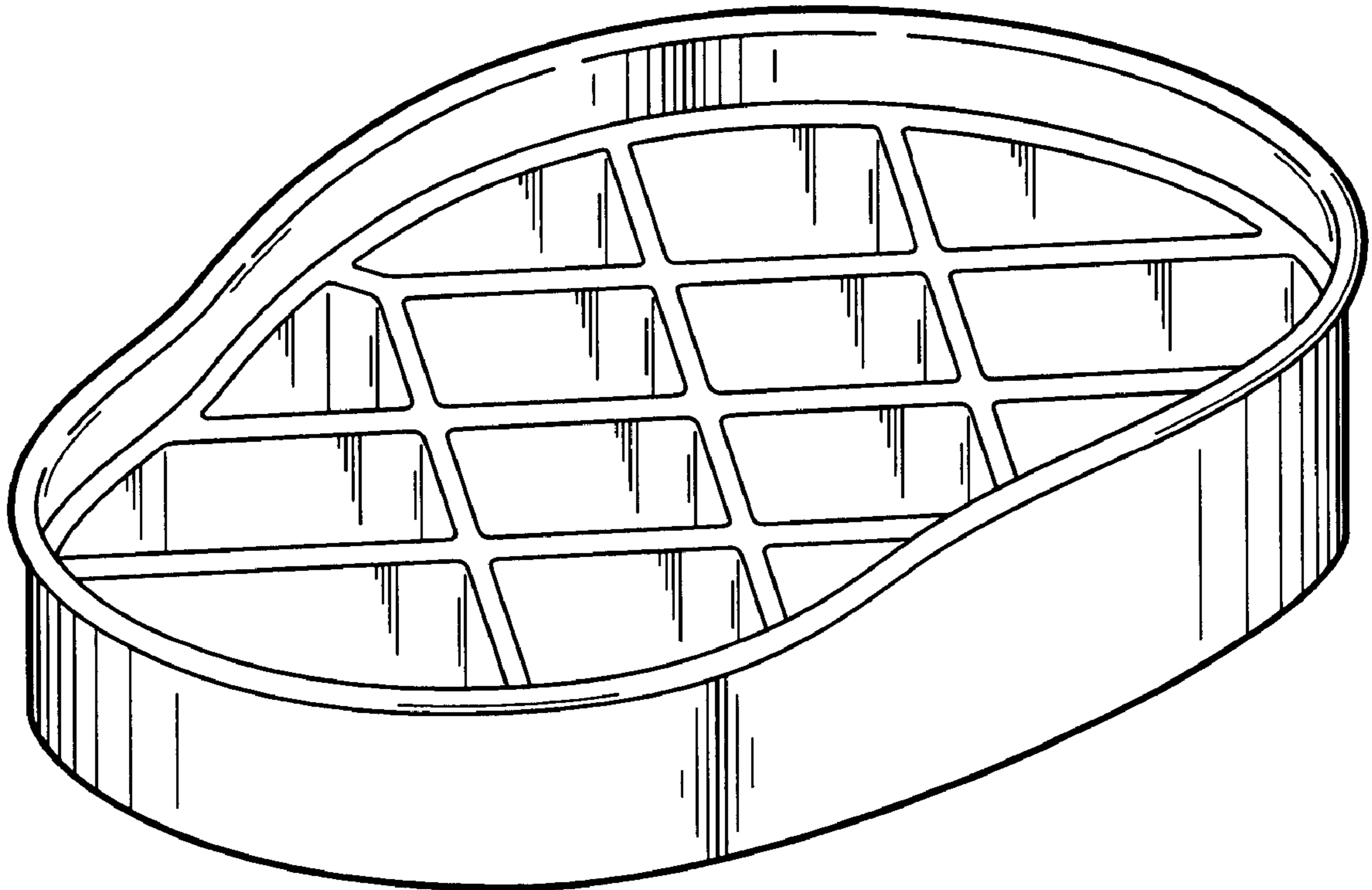
(57) **CLAIM**

The ornamental design for a top divider for a golf bag, as shown.

DESCRIPTION

FIG. 1 is a perspective view,
 FIG. 2 is a top view,
 FIG. 3 is a front view,
 FIG. 4 is a right-side view,
 FIG. 5 is a rear view,
 FIG. 6 is a left-side view,
 FIG. 7 is a bottom view,
 FIG. 8 is a cross section view taken along line 8—8 of FIG. 2; and,
 FIG. 9 is a perspective view thereof, wherein the broken line portions of the disclosure are for illustrative purposes only and form no part of the claimed design.

1 Claim, 5 Drawing Sheets



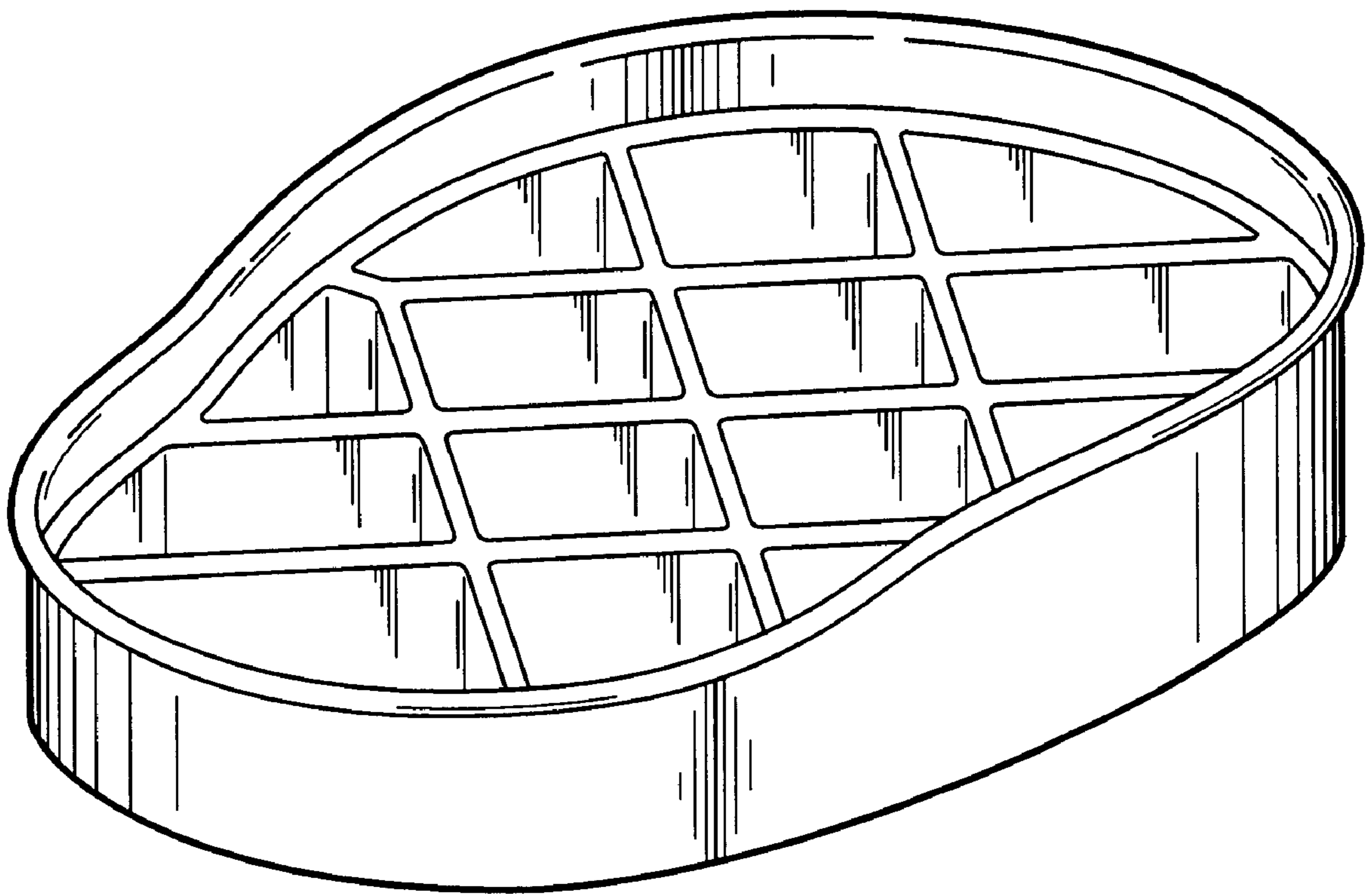


FIG. 1

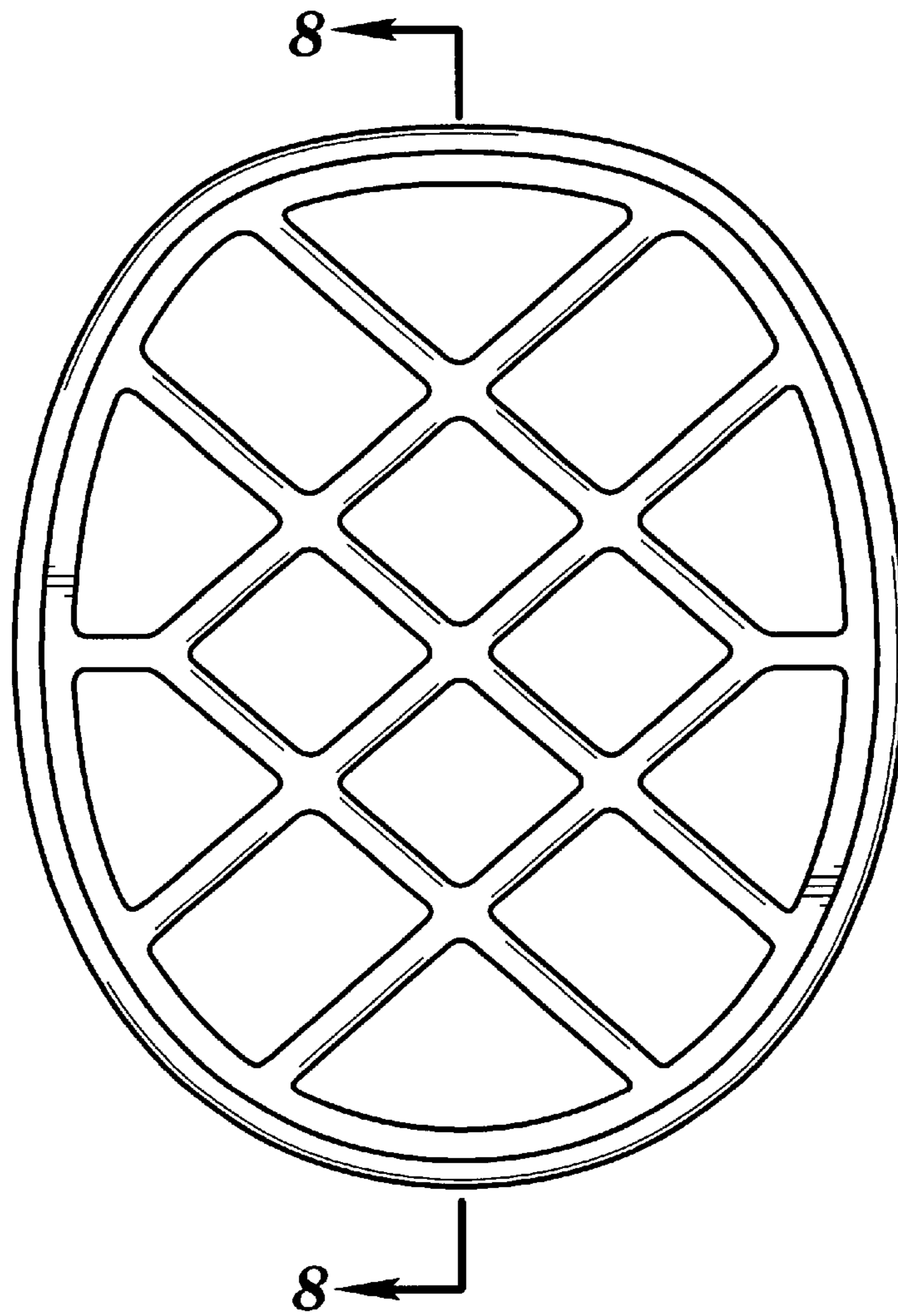


FIG. 2

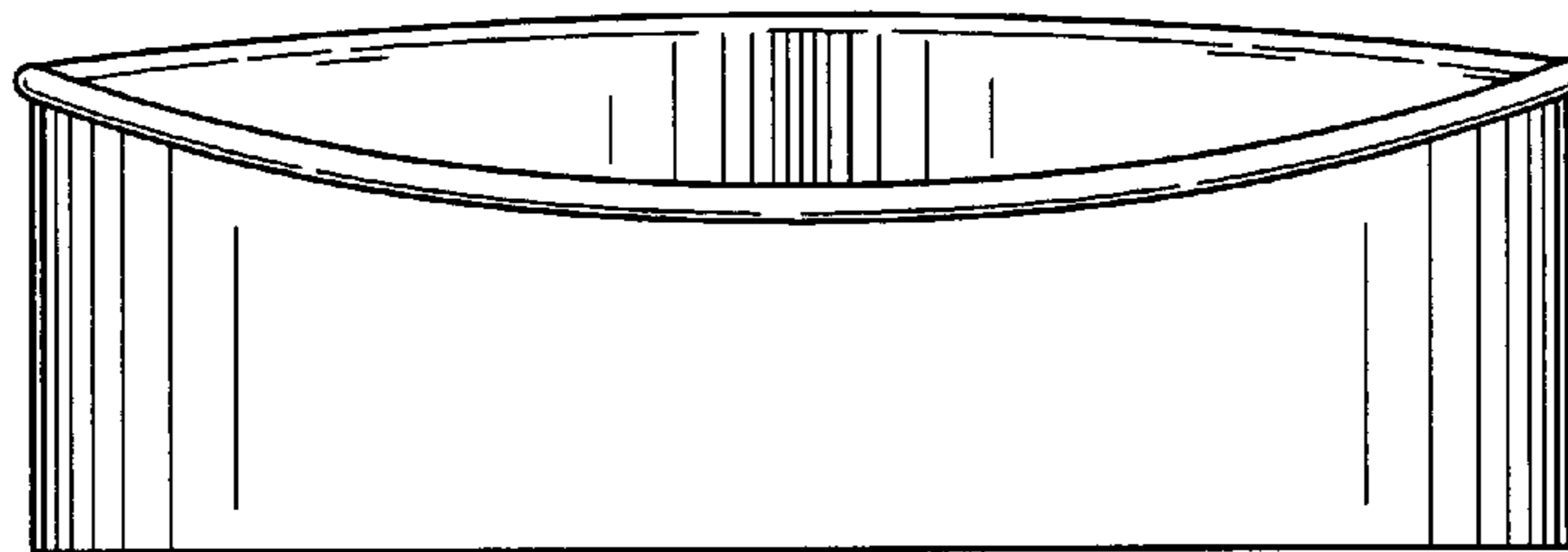


FIG. 3

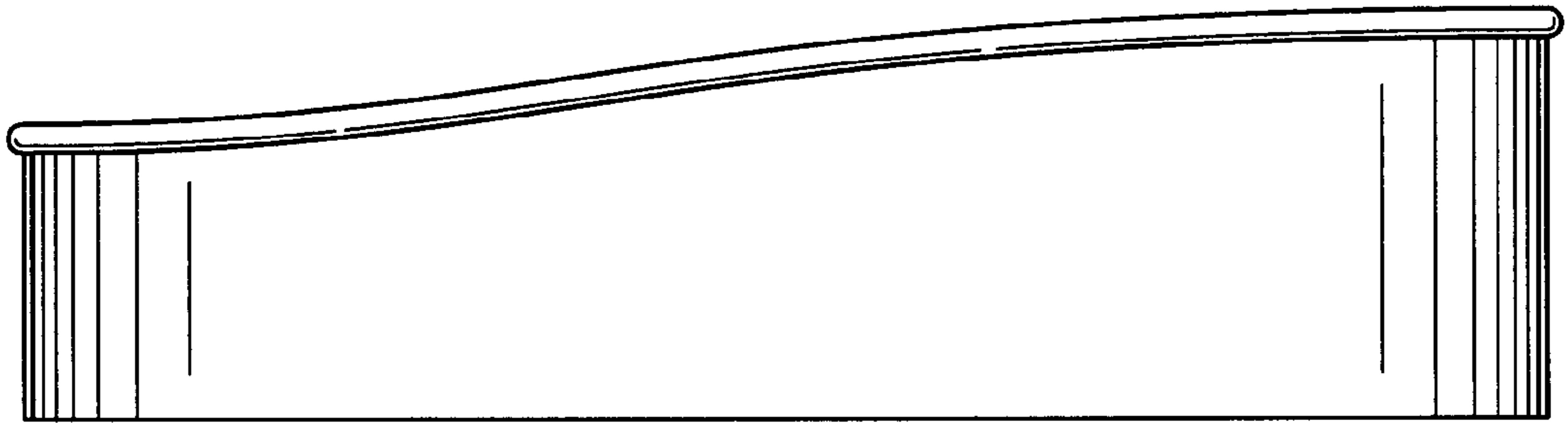


FIG. 4

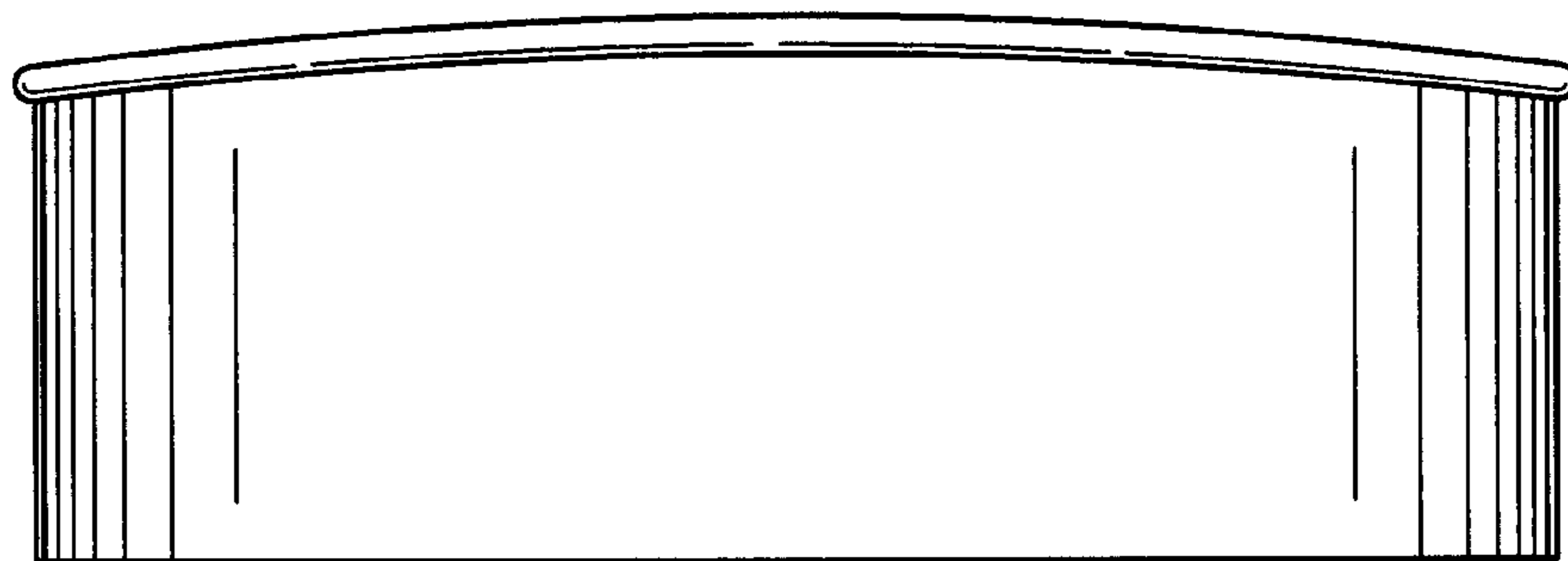


FIG. 5

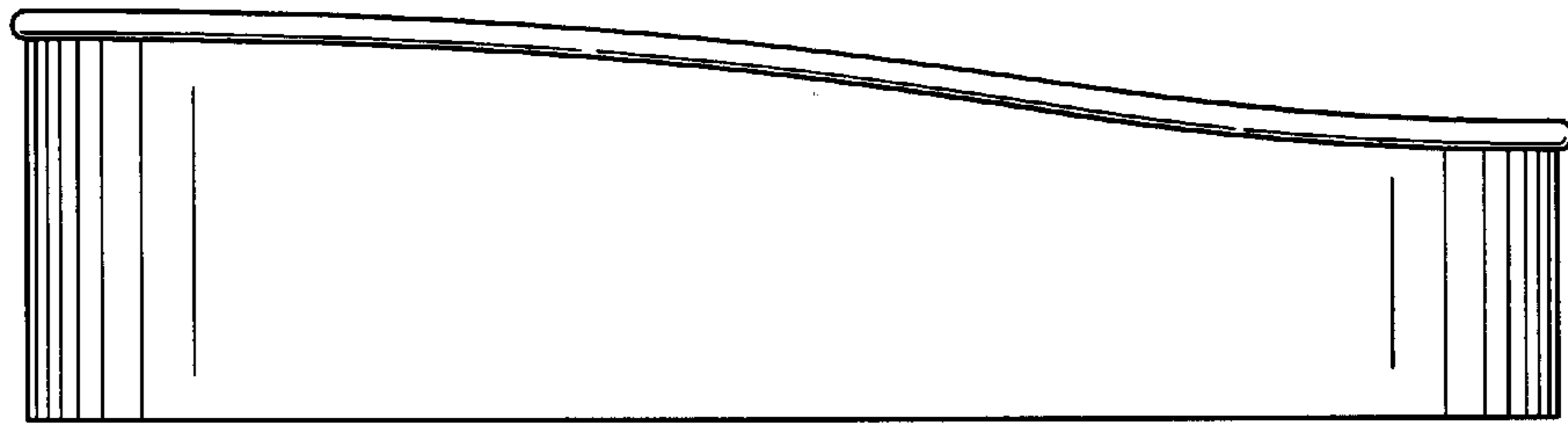


FIG. 6

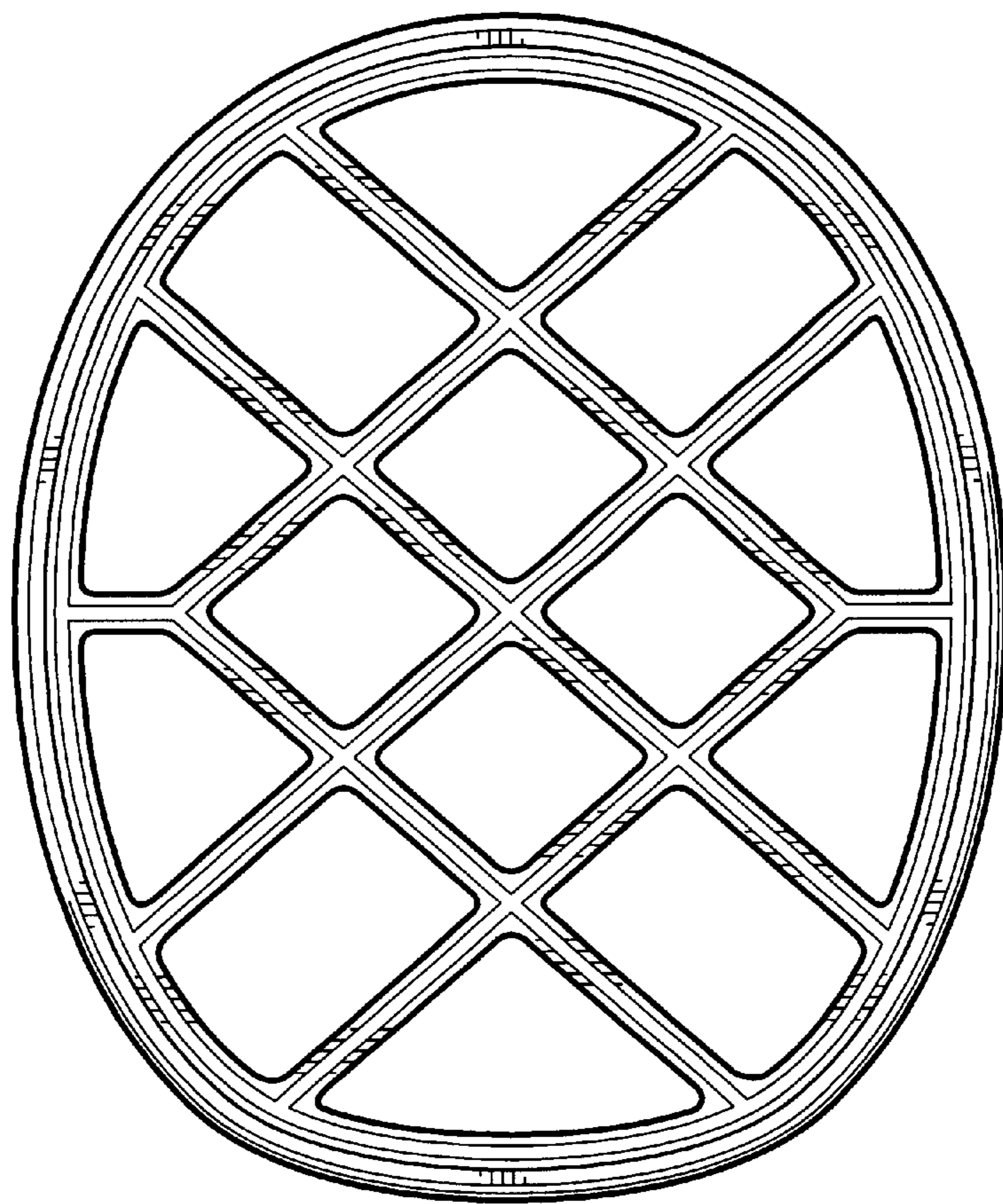


FIG. 7

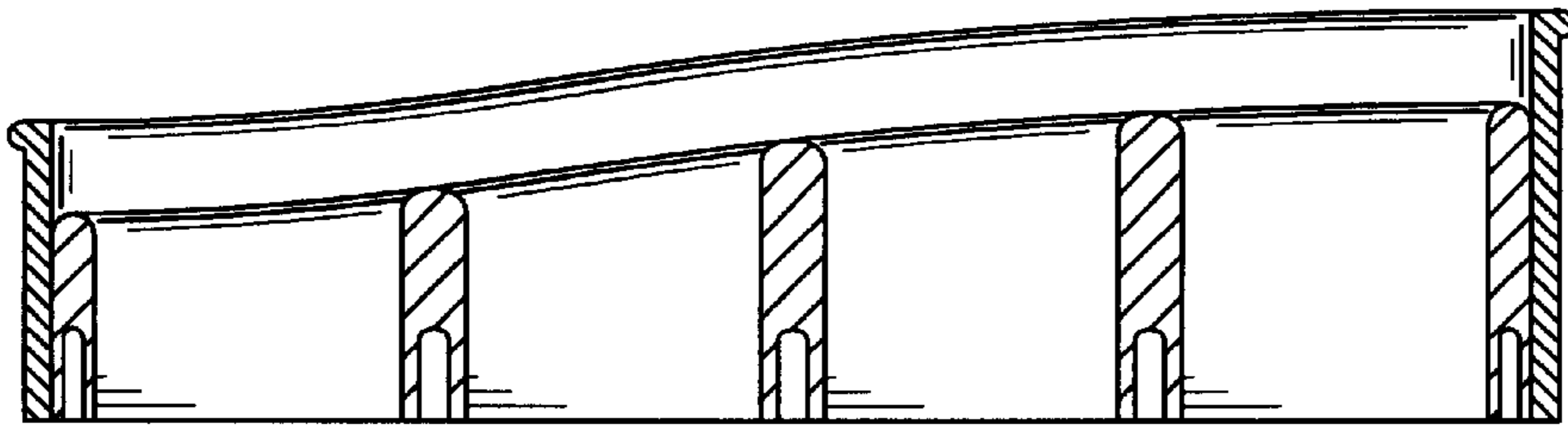


FIG. 8

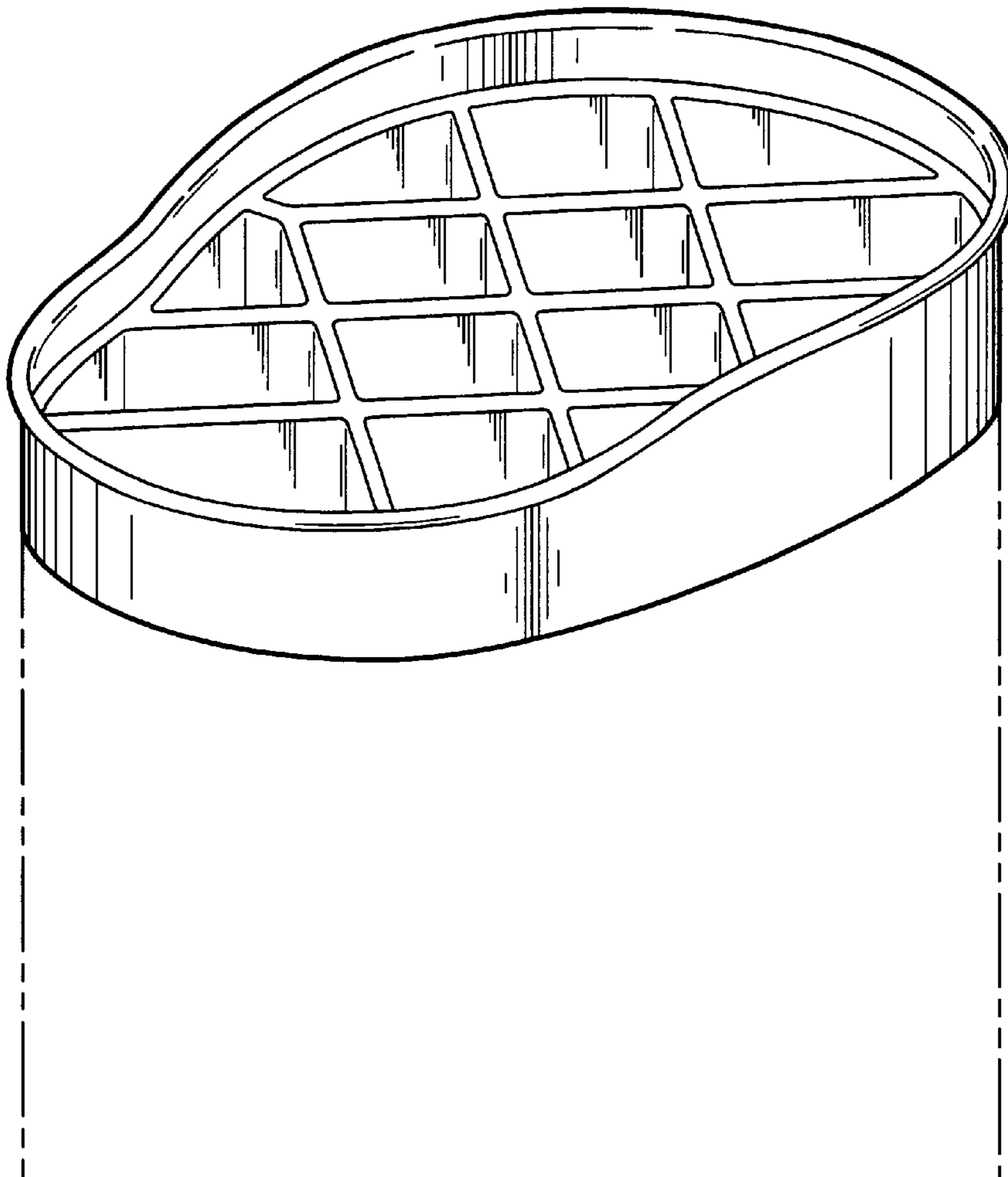


FIG. 9